



US00D857753S

(12) **United States Design Patent**  
**Tong**

(10) **Patent No.:** **US D857,753 S**

(45) **Date of Patent:** **\*\* Aug. 27, 2019**

(54) **AIR COMPRESSOR**

(71) Applicant: **Zhongze Tong**, Hunan (CN)

(72) Inventor: **Zhongze Tong**, Hunan (CN)

(\*\*) Term: **15 Years**

(21) Appl. No.: **29/618,380**

(22) Filed: **Sep. 21, 2017**

(51) **LOC (12) Cl.** ..... **15-03**

(52) **U.S. Cl.**  
USPC ..... **D15/9**

(58) **Field of Classification Search**

USPC ..... D15/7-9; D23/225, 231, 232

CPC ..... F02M 37/04; F02M 37/14; F04B 53/92;

F04B 1/005; F04D 13/06; F04D 29/22;

F04D 29/046; F04D 29/2266

See application file for complete search history.

(56) **References Cited**

**U.S. PATENT DOCUMENTS**

D398,011 S \* 9/1998 Wang ..... D15/9

D541,823 S \* 5/2007 Wang ..... D15/9

D590,841 S \* 4/2009 Muhlenberend ..... D15/7

D670,313 S \* 11/2012 Ohm ..... D15/7

D672,367 S \* 12/2012 Stansbury ..... D15/7

D700,915 S \* 3/2014 Damhuis ..... D15/7

D831,075 S \* 10/2018 Zheng ..... D15/7

D832,889 S \* 11/2018 Zheng ..... D15/7

\* cited by examiner

*Primary Examiner* — Khawaja Anwar

(74) *Attorney, Agent, or Firm* — Justin Lampel

(57) **CLAIM**

The ornamental design for air compressor, as shown and described.

**DESCRIPTION**

FIG. 1 is a perspective view of a air compressor showing my new design;

FIG. 2 is a front elevational view thereof;

FIG. 3 is a rear elevational view thereof;

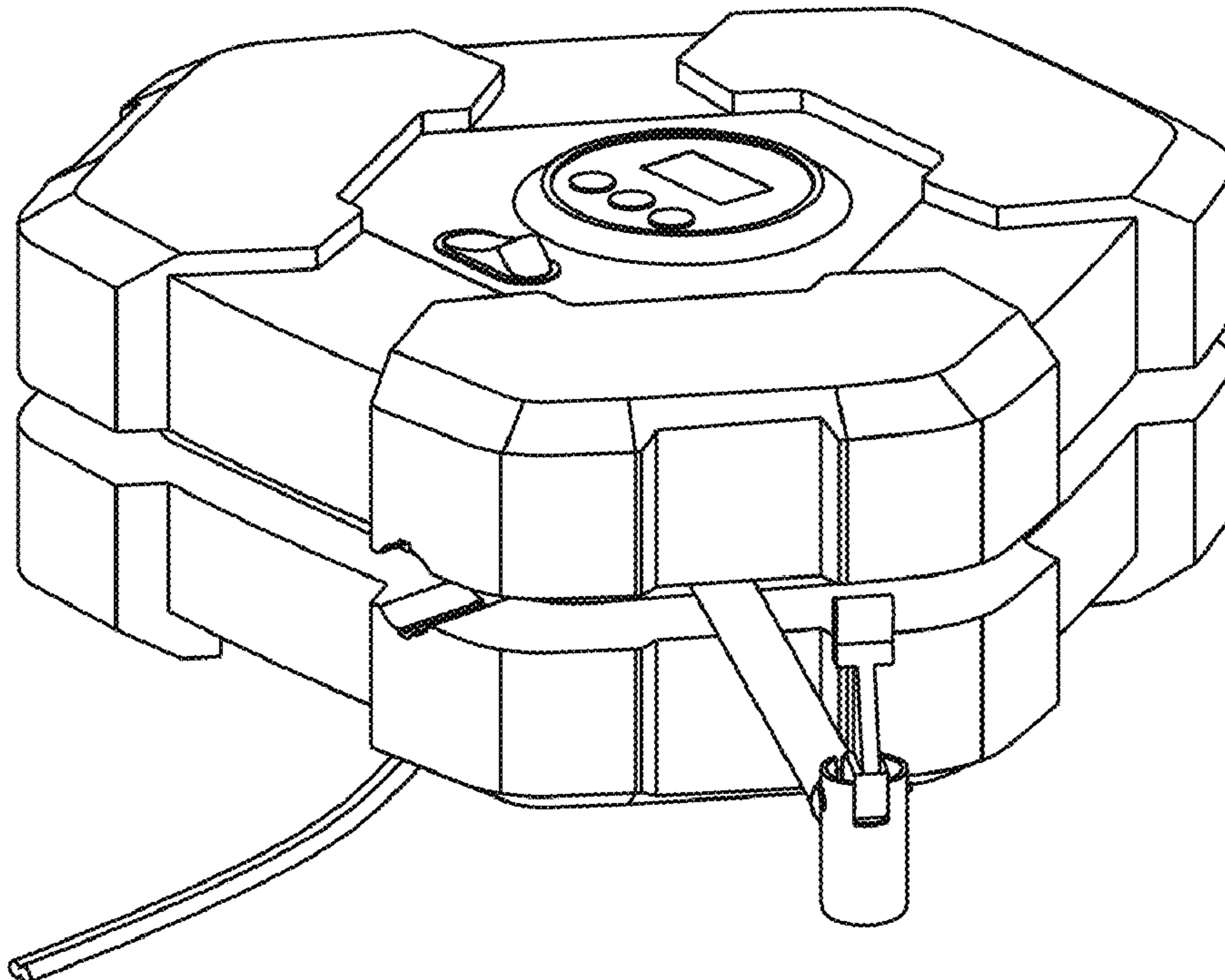
FIG. 4 is a right side view thereof;

FIG. 5 is a left side view thereof;

FIG. 6 is a bottom plan view thereof; and,

FIG. 7 is a top plan view thereof.

**1 Claim, 7 Drawing Sheets**



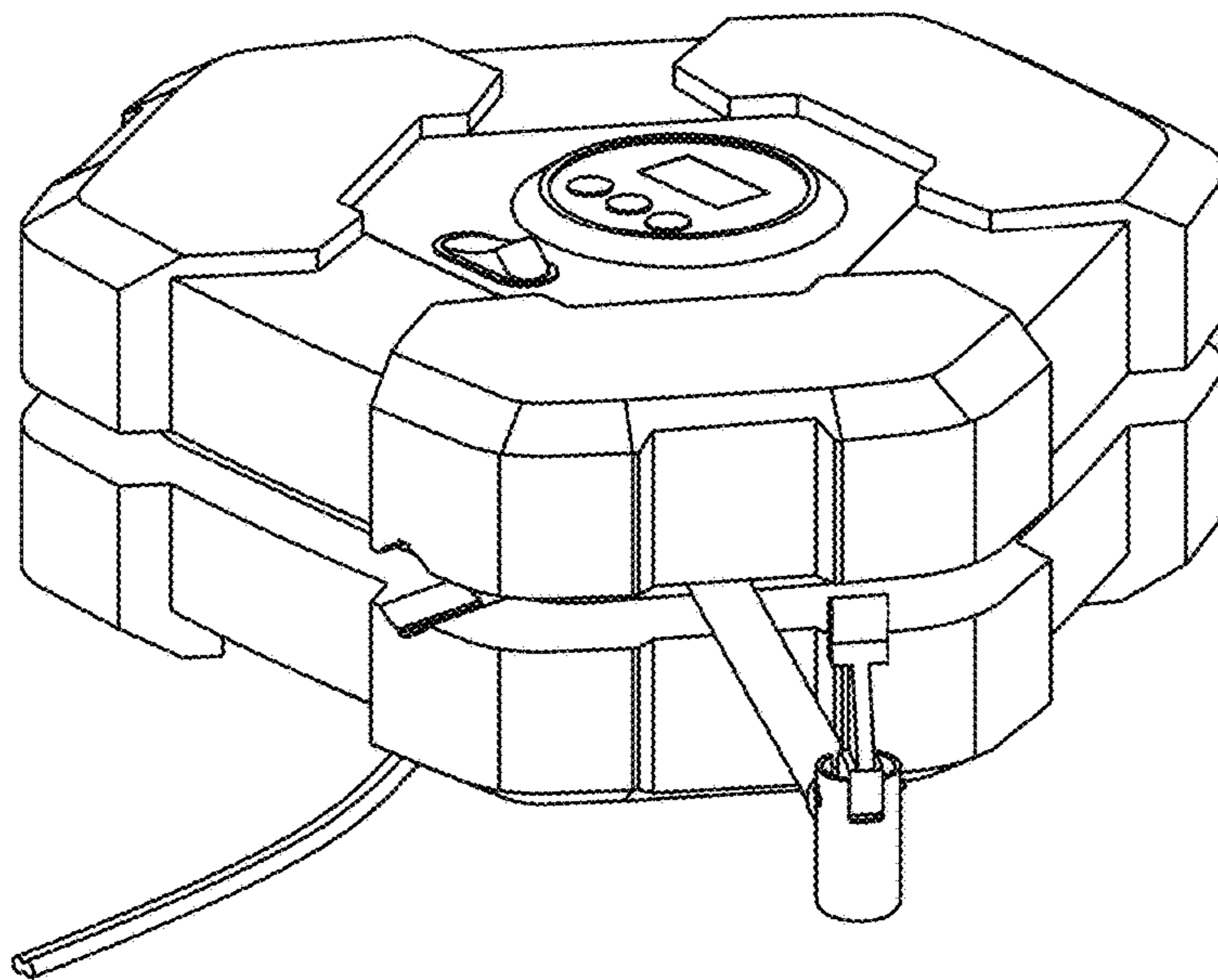


FIG. 1

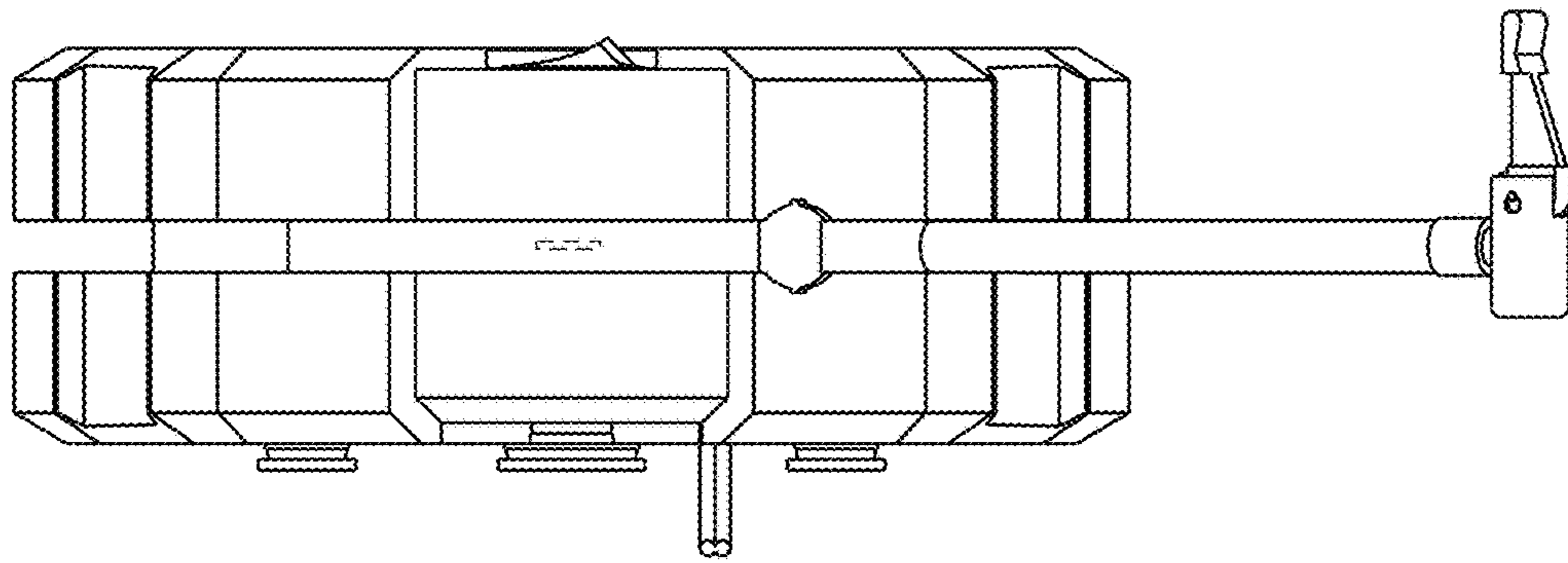


FIG. 2

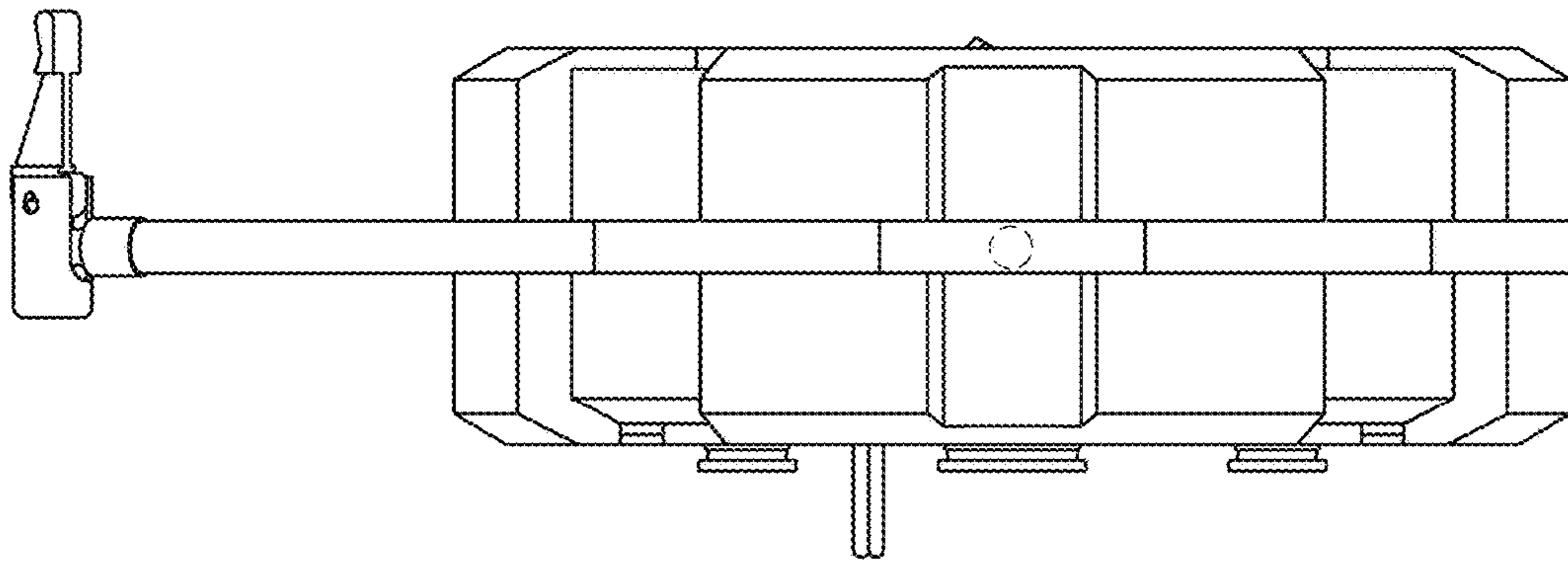


FIG. 3

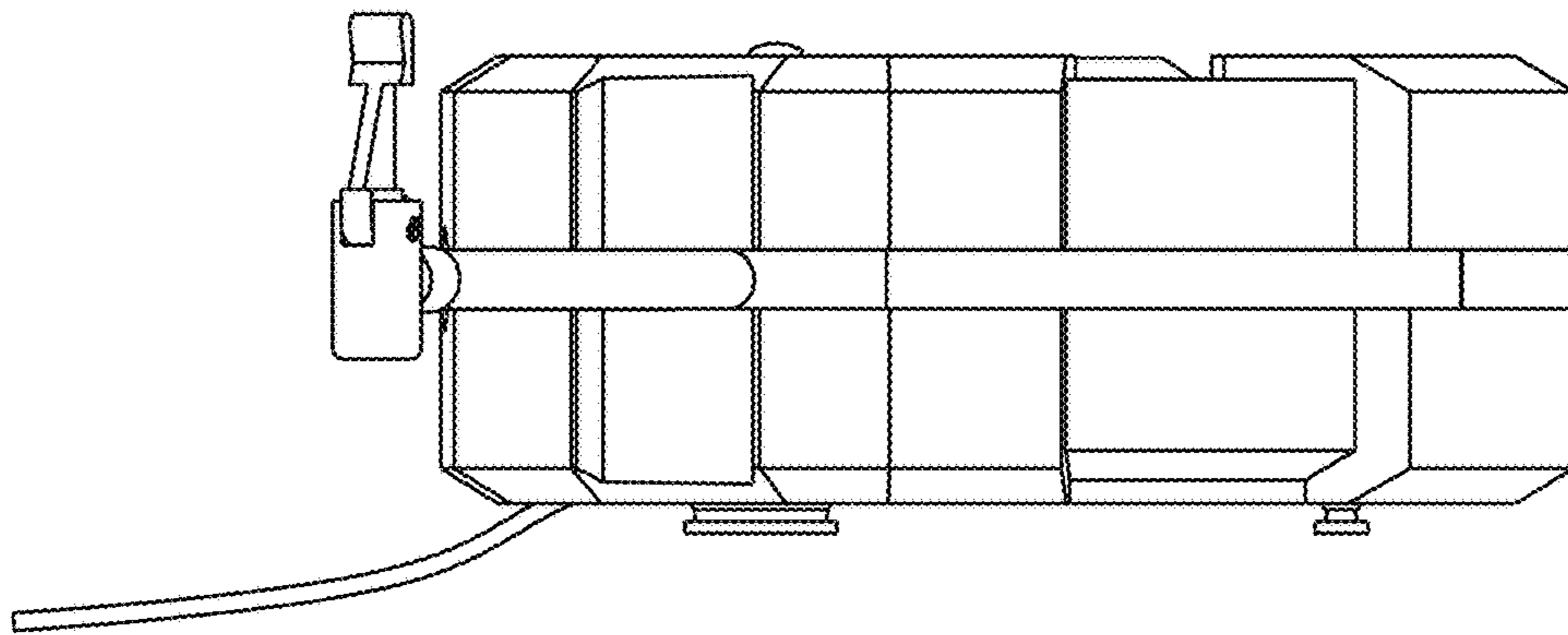


FIG. 4

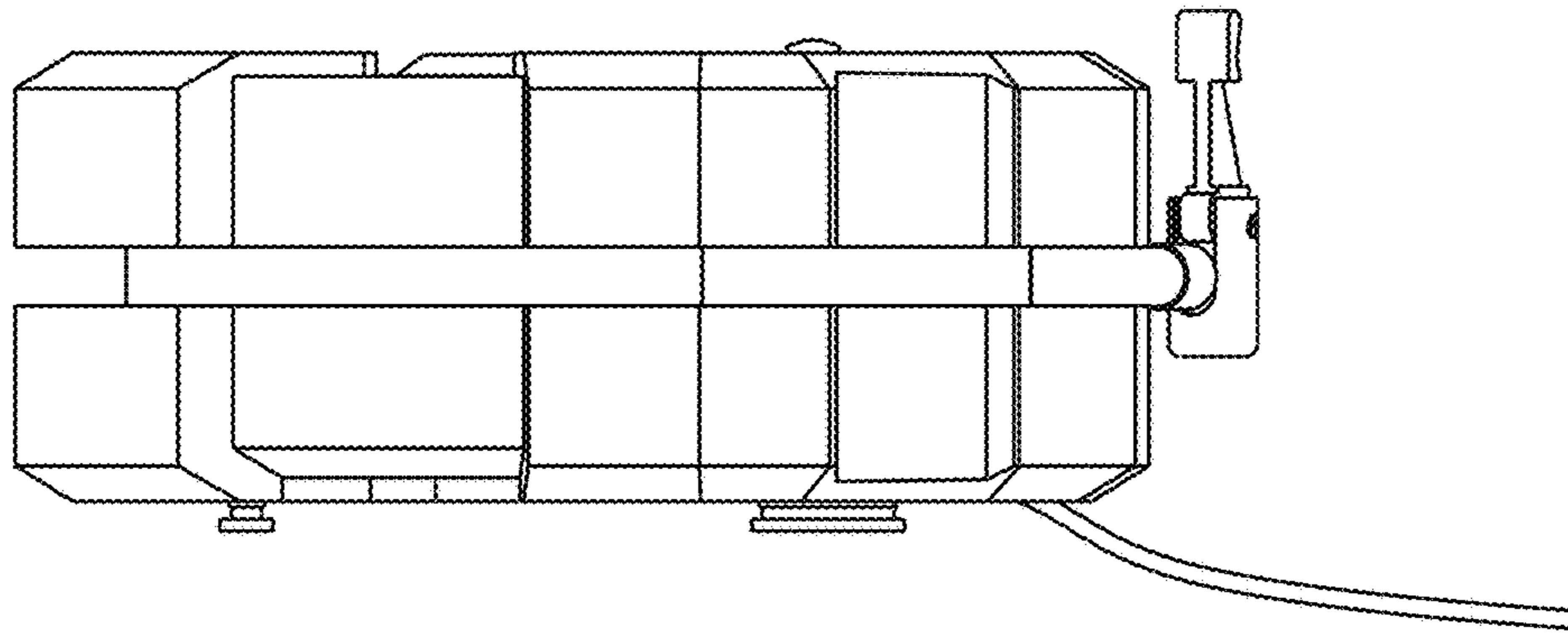


FIG. 5

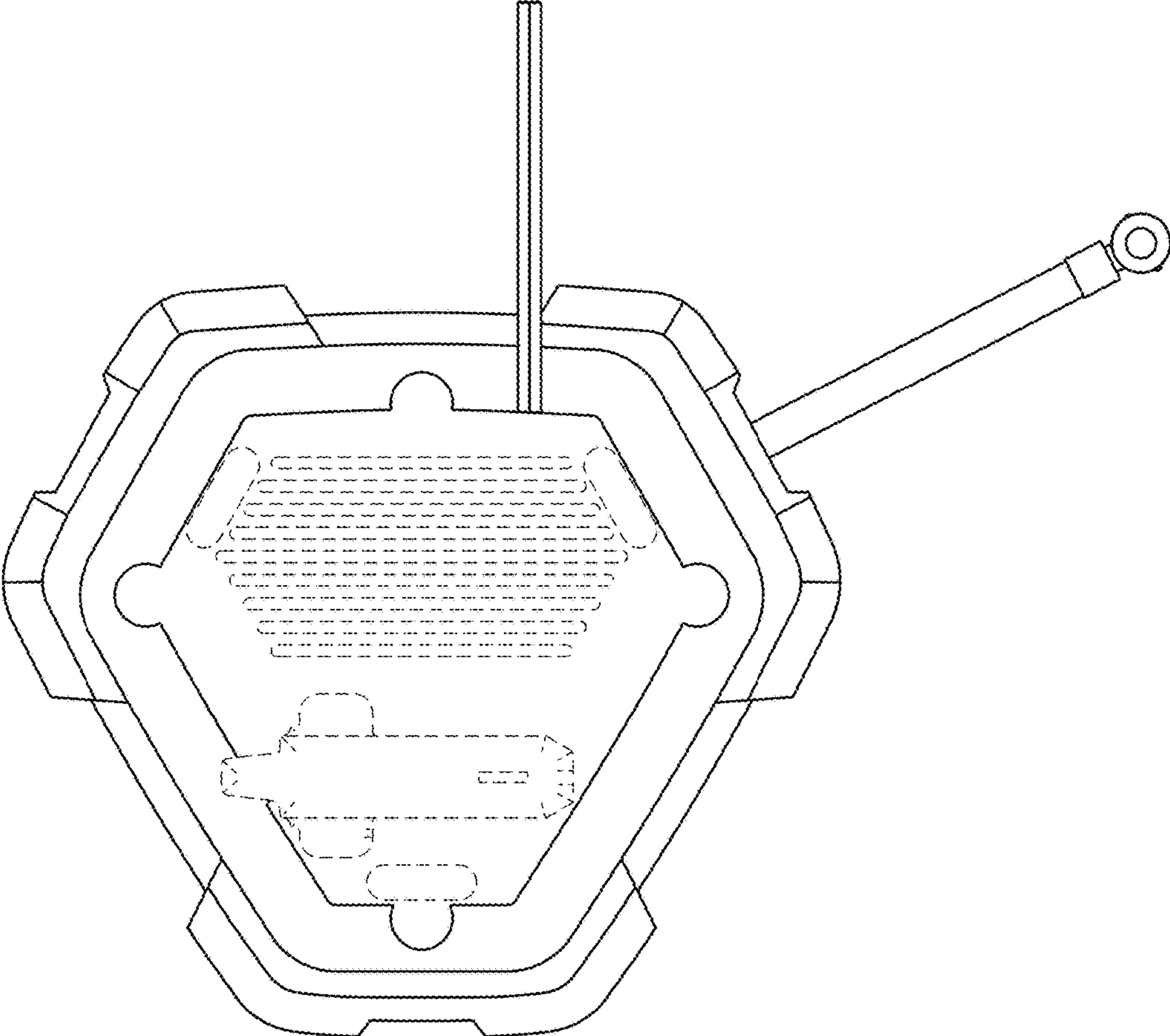


FIG. 6

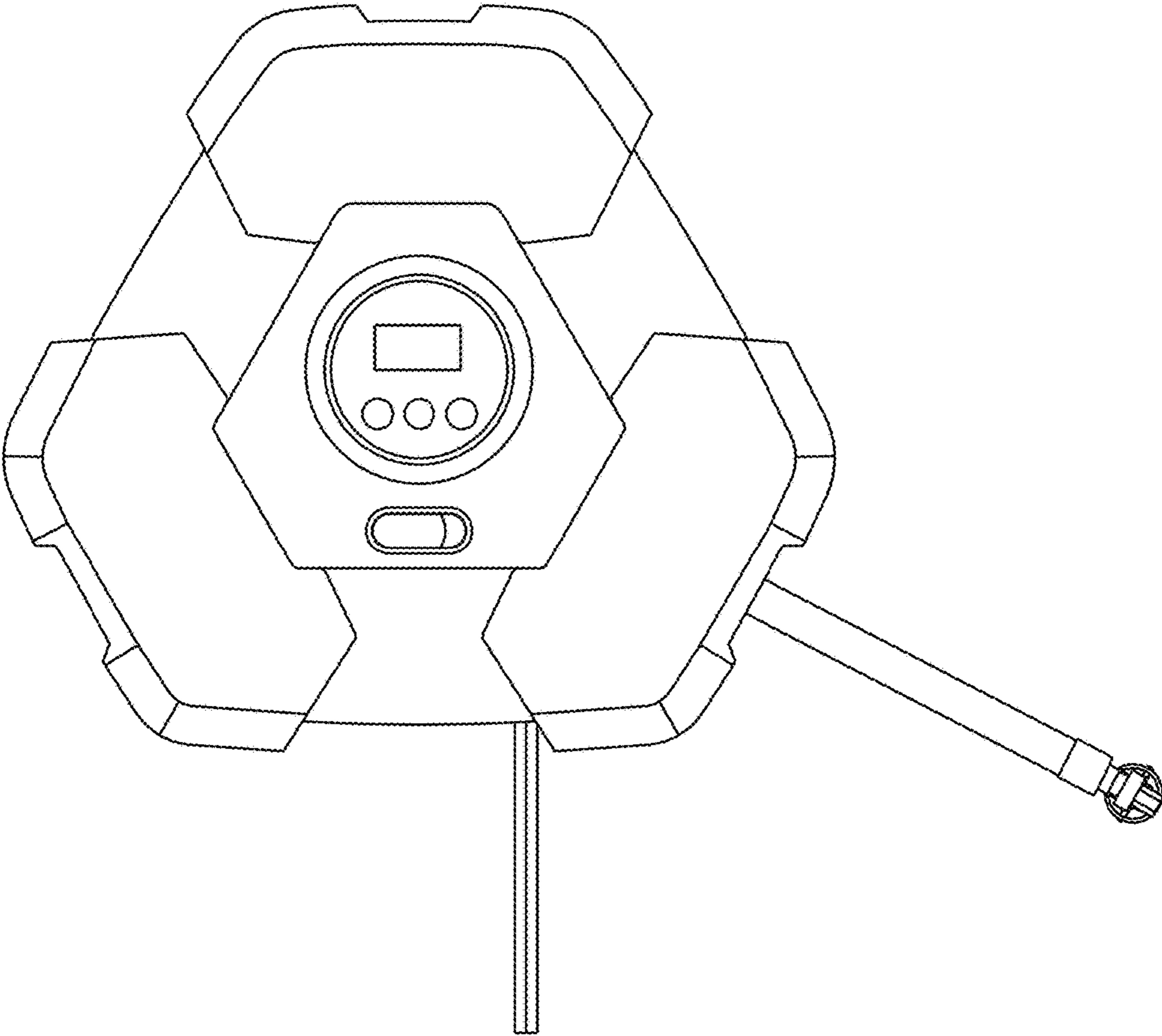


FIG. 7