



US00D857752S

(12) **United States Design Patent**
McCarthy, Jr. et al.

(10) **Patent No.:** **US D857,752 S**

(45) **Date of Patent:** **** Aug. 27, 2019**

(54) **ROCKER ARM**

(71) Applicant: **Eaton Corporation**, Cleveland, OH (US)

(72) Inventors: **James Edward McCarthy, Jr.**, Kalamazoo, MI (US); **Matthew Vance**, Kalamazoo, MI (US); **Guruprasath Alagarsamy**, Tamil Nadu (IN)

(73) Assignee: **Eaton Corporation**, Cleveland, OH (US)

(**) Term: **15 Years**

(21) Appl. No.: **29/669,997**

(22) Filed: **Nov. 13, 2018**

Related U.S. Application Data

(63) Continuation of application No. 29/609,402, filed on Jun. 30, 2017, now Pat. No. Des. 833,482, which is a continuation-in-part of application No. 29/532,970, filed on Jul. 13, 2015, now Pat. No. Des. 791,190.

(51) **LOC (12) Cl.** **15-01**

(52) **U.S. Cl.**
USPC **D15/5**

(58) **Field of Classification Search**
USPC D15/1-5
CPC F01L 1/24; F01L 1/18; F01L 1/053; F01L 1/185; F01L 2001/186; F01L 2001/187; F01L 2001/188; F01L 1/181; F01L 1/182; F01L 13/0021; F01L 13/0036
See application file for complete search history.

(56) **References Cited**

U.S. PATENT DOCUMENTS

2004/0134065 A1* 7/2004 Kadokawa B21D 53/84
29/888.2
2006/0157011 A1* 7/2006 Proschko F01L 1/185
123/90.16

2007/0067989 A1* 3/2007 Rorig B21K 1/205
29/888.2
2010/0018485 A1* 1/2010 Moeck F01L 1/185
123/90.39
2012/0312264 A1* 12/2012 Mock F01L 1/185
123/90.39
2014/0190431 A1* 7/2014 McCarthy, Jr. F01L 1/18
123/90.16
2015/0369095 A1* 12/2015 Spoor F01L 1/185
123/90.45
2017/0284232 A1* 10/2017 Yamane B21D 53/84
2018/0119584 A1* 5/2018 Vance F01L 1/185
2018/0128133 A1* 5/2018 Rehm F01L 1/185

* cited by examiner

Primary Examiner — T Chase Nelson

Assistant Examiner — Ania Aman

(74) *Attorney, Agent, or Firm* — RMCK Law Group PLC

(57) **CLAIM**

The ornamental design for a rocker arm, as shown and described.

DESCRIPTION

FIG. 1 is a first perspective view of a rocker arm showing the new design.

FIG. 2 is a second perspective view of the rocker arm of FIG. 1.

FIG. 3 is a top view of the rocker arm of FIG. 1.

FIG. 4 is a bottom view of the rocker arm of FIG. 1.

FIG. 5 is a first side view of the rocker arm of FIG. 1.

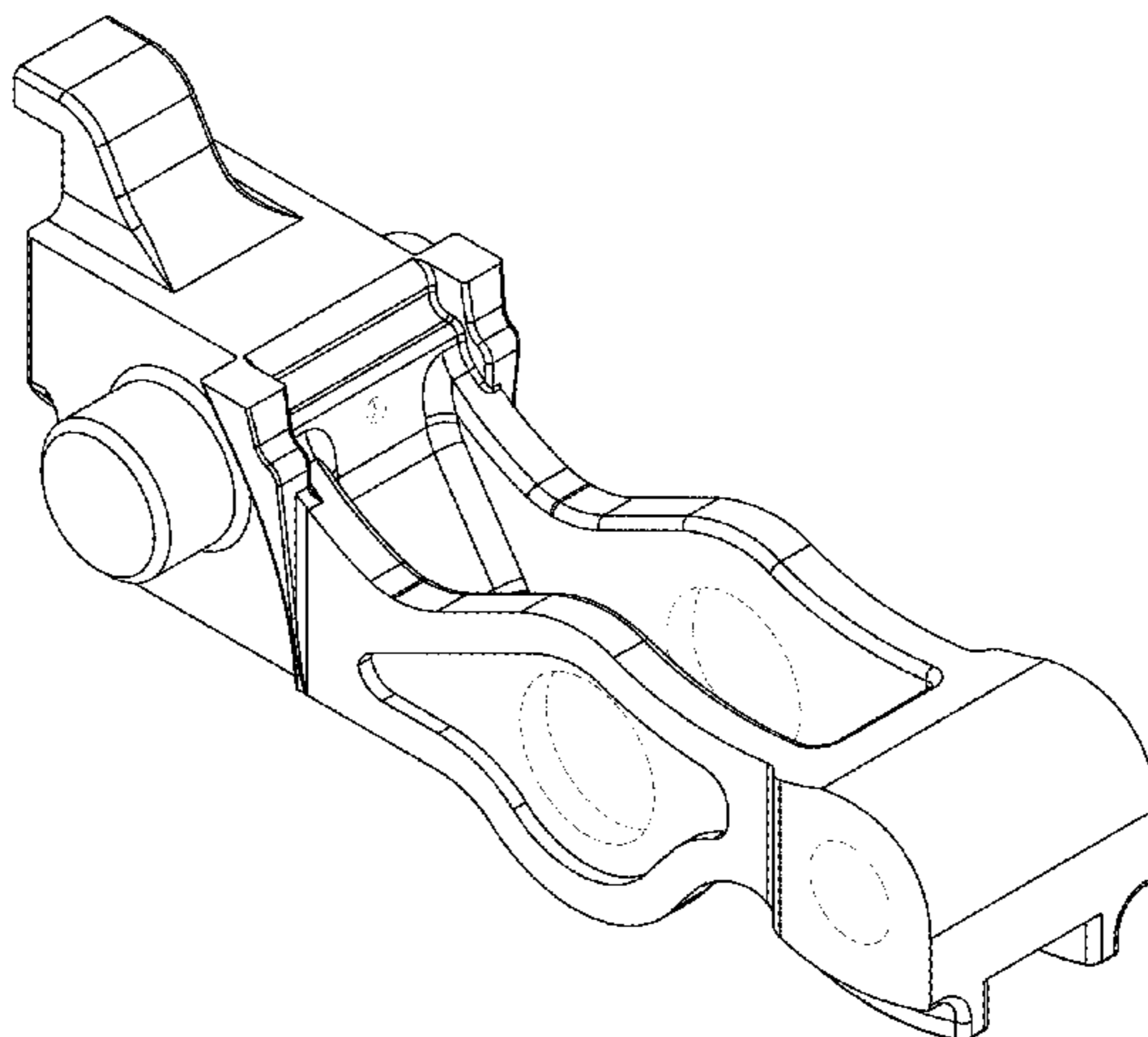
FIG. 6 is a second side view of the rocker arm of FIG. 1.

FIG. 7 is a first end view of the rocker arm of FIG. 1; and,

FIG. 8 is a second end view of the rocker arm of FIG. 1.

The broken line showing portions of the rocker arm form no part of the claimed design.

1 Claim, 7 Drawing Sheets



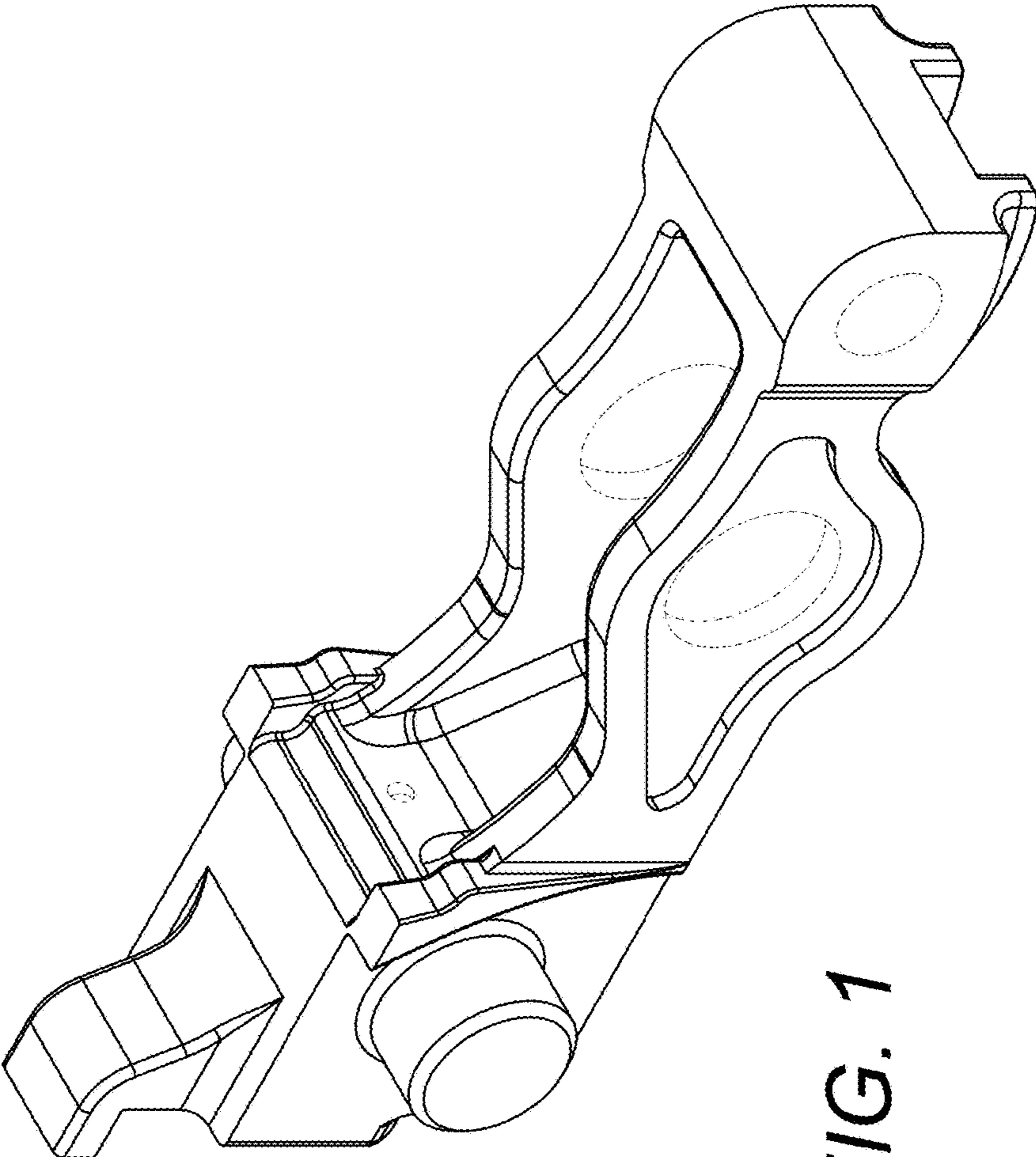


FIG. 1

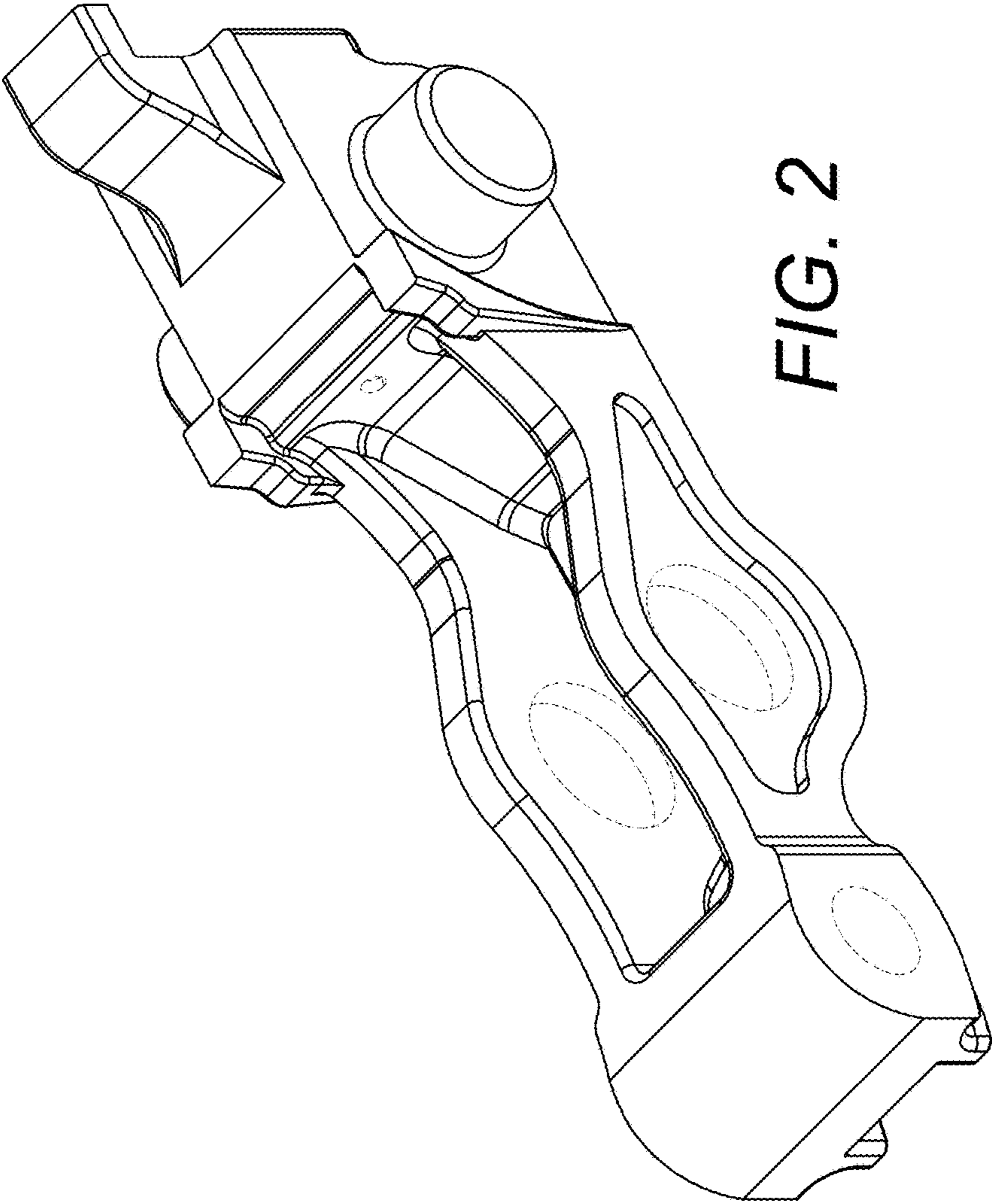


FIG. 2

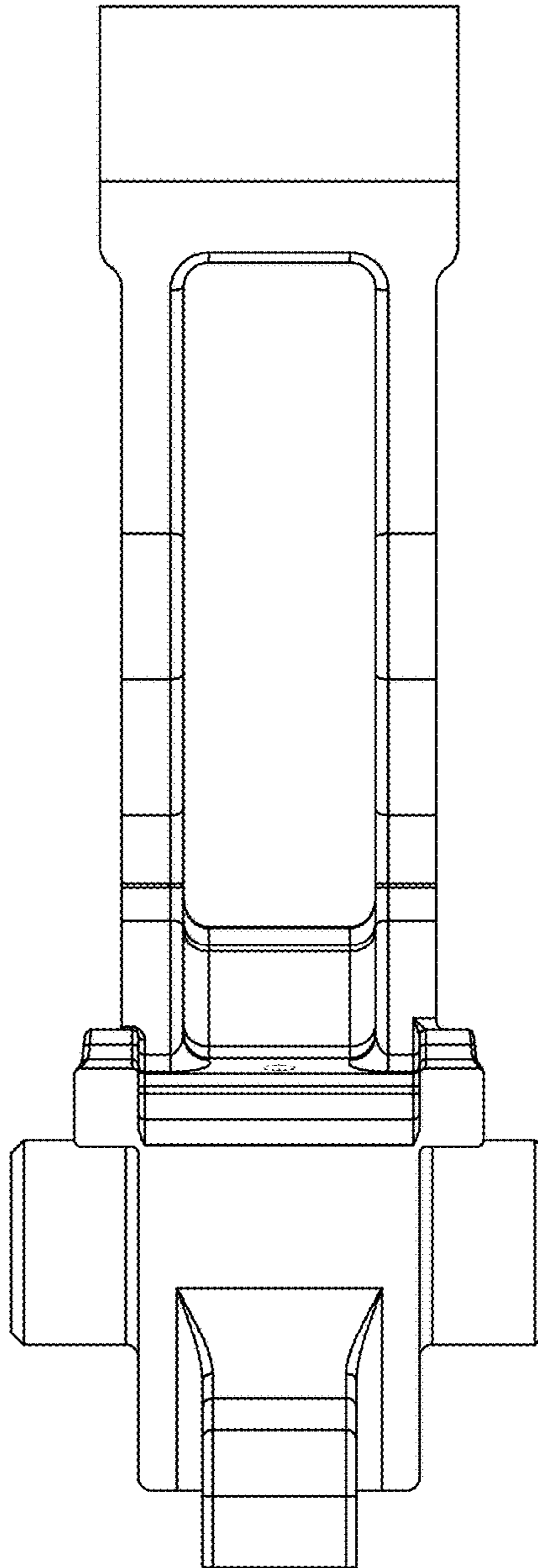


FIG. 3

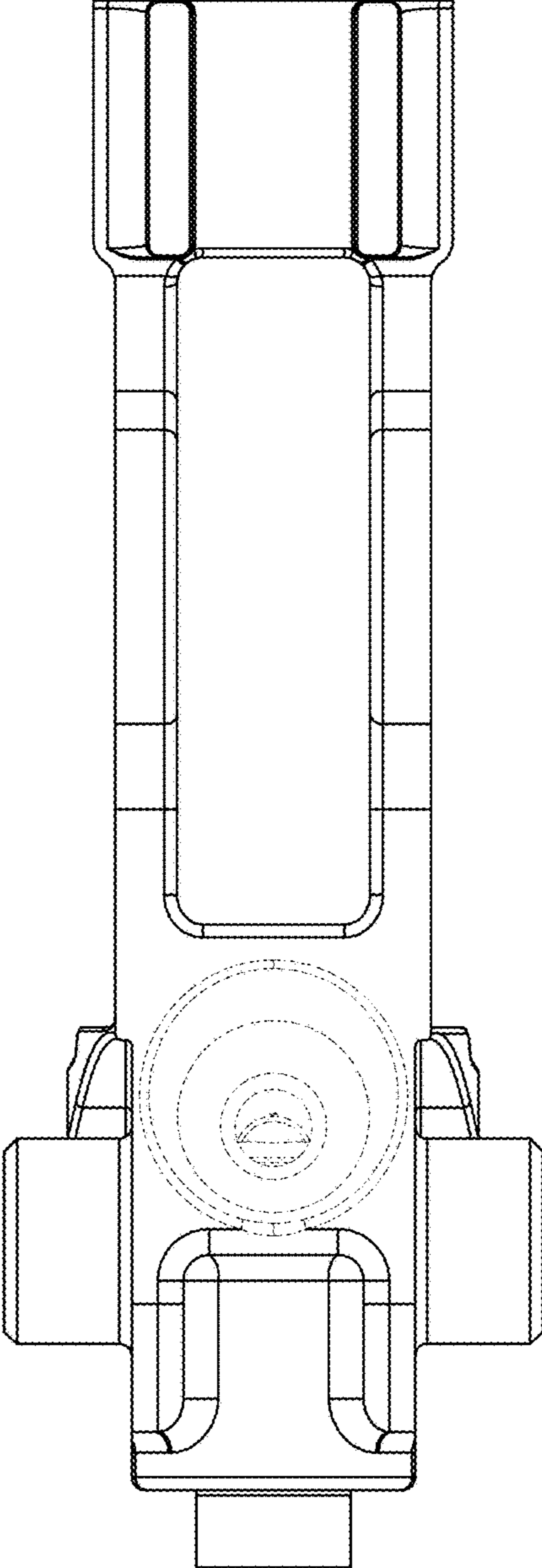


FIG. 4

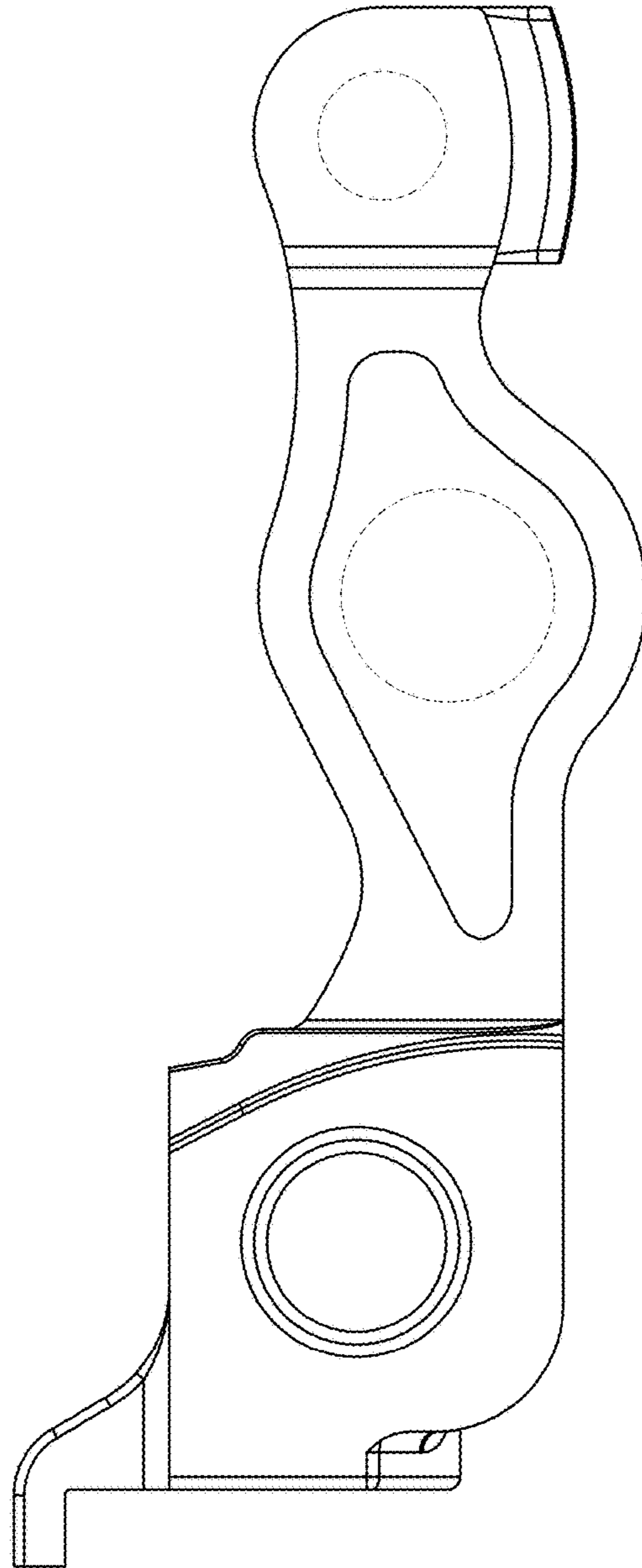


FIG. 5

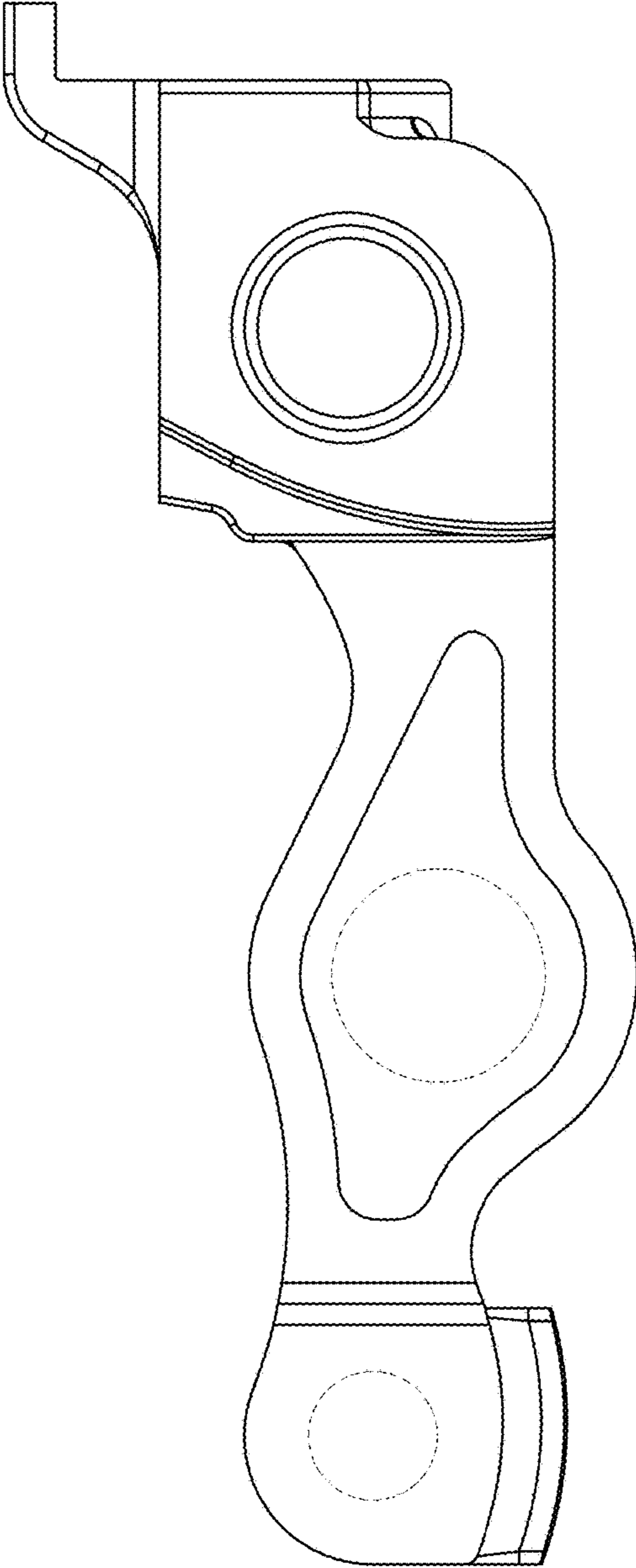


FIG. 6

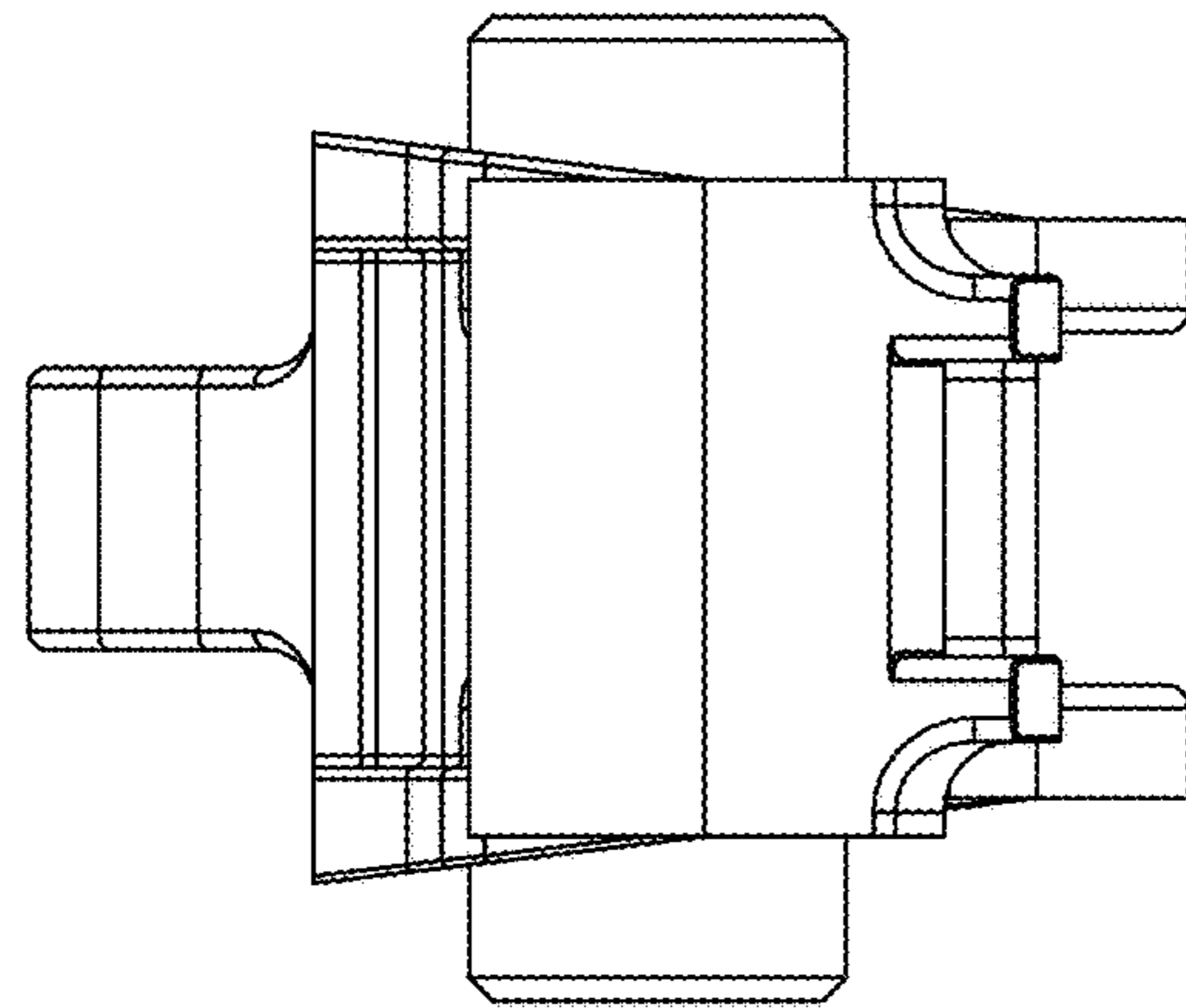


FIG. 8

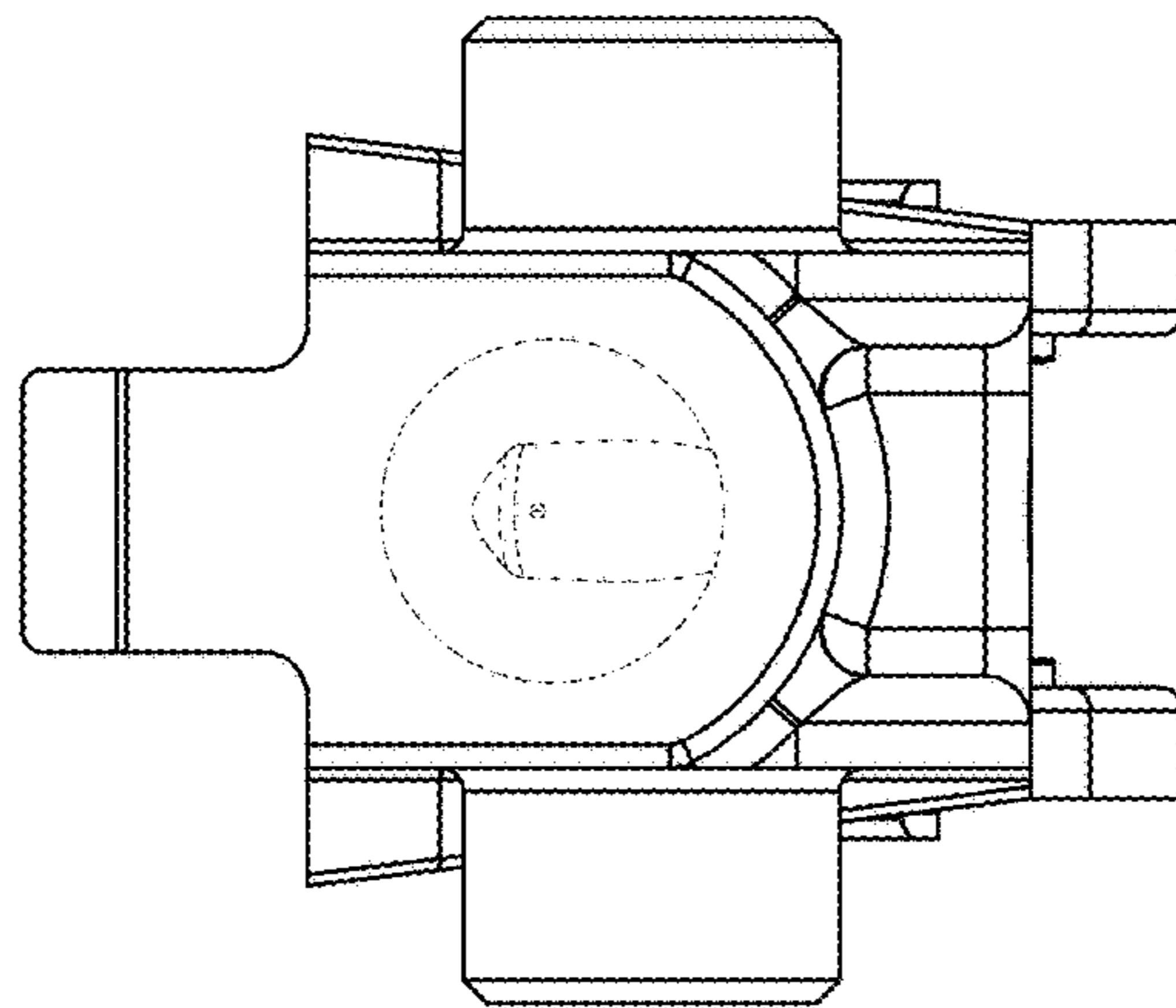


FIG. 7