



US00D857751S

(12) **United States Design Patent**  
**Frederick et al.**

(10) **Patent No.:** **US D857,751 S**  
(45) **Date of Patent:** **\*\* Aug. 27, 2019**

(54) **ENGINE PRECLEANER ADAPTER**  
(71) Applicant: **DRM Industries Corp.**, Wisconsin  
Dells, WI (US)  
(72) Inventors: **Jill M. Frederick**, Baraboo, WI (US);  
**Theodore R. Crary**, Baraboo, WI (US)  
(73) Assignee: **DRM DIVERSAFAB**  
**CORPORATION**, Baraboo, WI (US)

2010/0288128 A1\* 11/2010 Yoon ..... B01D 46/0005  
96/423  
2011/0048368 A1\* 3/2011 Nelson ..... B01D 45/04  
123/198 E  
2016/0151731 A1\* 6/2016 Crary ..... B01D 46/0005  
29/401.1  
2016/0177893 A1\* 6/2016 Finn ..... F02M 35/086  
95/23

(\*\*) Term: **15 Years**

\* cited by examiner

(21) Appl. No.: **29/540,247**

*Primary Examiner* — Michelle E. Wilson

(22) Filed: **Sep. 22, 2015**

*Assistant Examiner* — Ania Aman

(51) **LOC (12) Cl.** ..... **15-01**

(74) *Attorney, Agent, or Firm* — Charles S. Sara; DeWitt  
LLP

(52) **U.S. Cl.**

USPC ..... **D15/5**

(58) **Field of Classification Search**

USPC ..... D15/1-5; D23/386, 393  
CPC ..... B01D 46/0005; B01D 46/009; B01D  
2275/201; B01D 2265/026; B01D  
46/0041; B01D 46/2414; B01D 2275/208;  
B01D 46/00; F02M 35/04; F02M  
35/0203; F02M 35/02433; F02M  
35/02425; F02M 35/09

See application file for complete search history.

(56) **References Cited**

**U.S. PATENT DOCUMENTS**

D257,060 S \* 9/1980 Mann ..... D23/393  
D274,256 S \* 6/1984 Lange ..... D23/386  
D571,908 S \* 6/2008 Myers ..... D23/393  
7,662,216 B1 \* 2/2010 Terres ..... B01D 46/0005  
55/482  
D753,187 S \* 4/2016 Crary ..... D15/5

(57) **CLAIM**

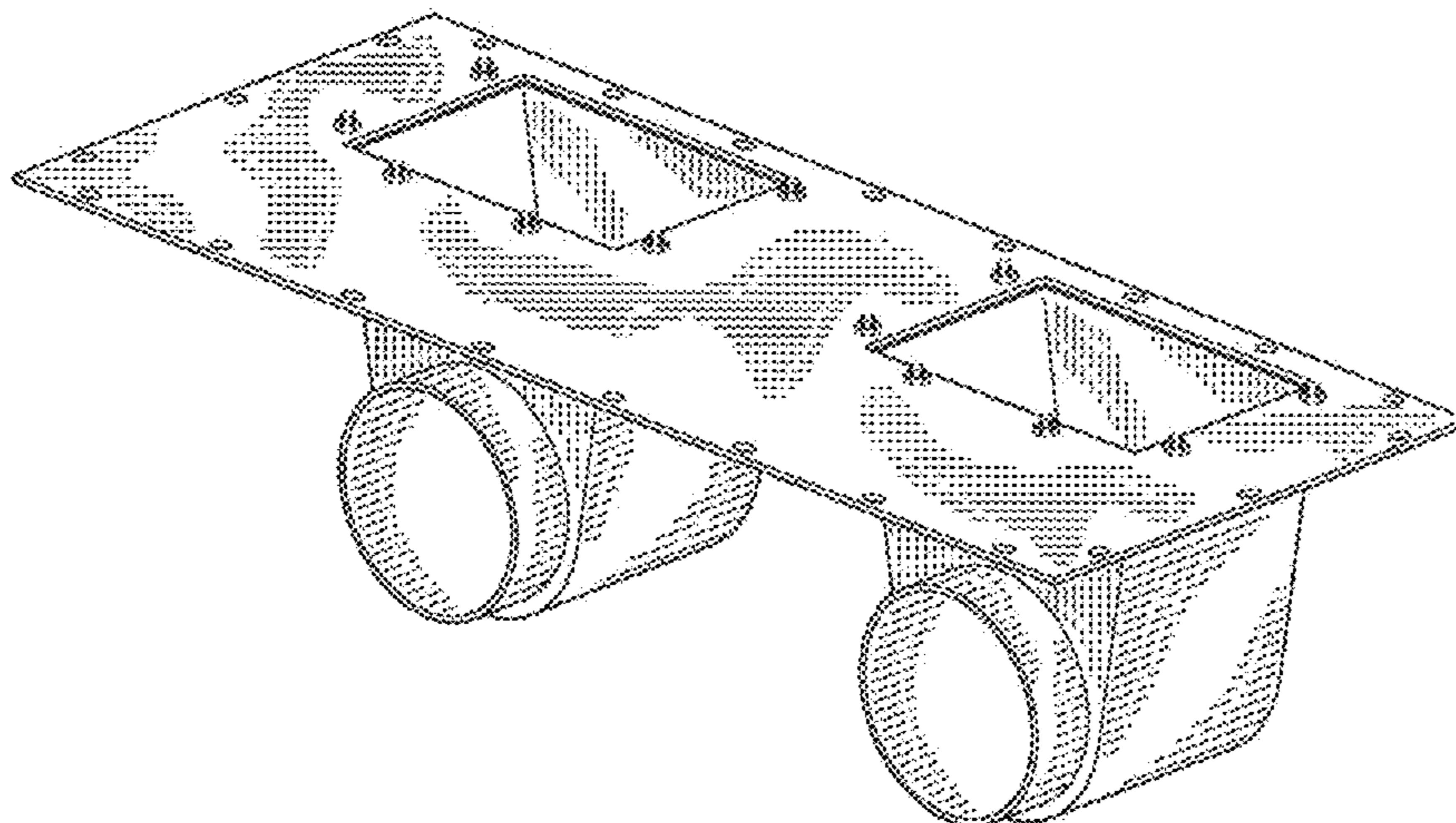
The ornamental design of an engine precleaner adapter, as shown and described.

**DESCRIPTION**

FIG. 1 is a front perspective view of a dual engine precleaner adapter showing our design;  
FIG. 2 is a bottom plan view thereof;  
FIG. 3 is a top plan view thereof;  
FIG. 4 is a right side elevational view thereof;  
FIG. 5 is a left side elevational view thereof;  
FIG. 6 is a rear elevational view thereof;  
FIG. 7 is a front elevational view thereof; and,  
FIG. 8 is an alternative front perspective view of the dual precleaner adapter illustrating precleaners in phantom attached to the dual engine precleaner adapter of the present invention.

The broken lines shown in the drawings are included for the purpose of illustrating environment structure and form no part of the claimed design.

**1 Claim, 5 Drawing Sheets**



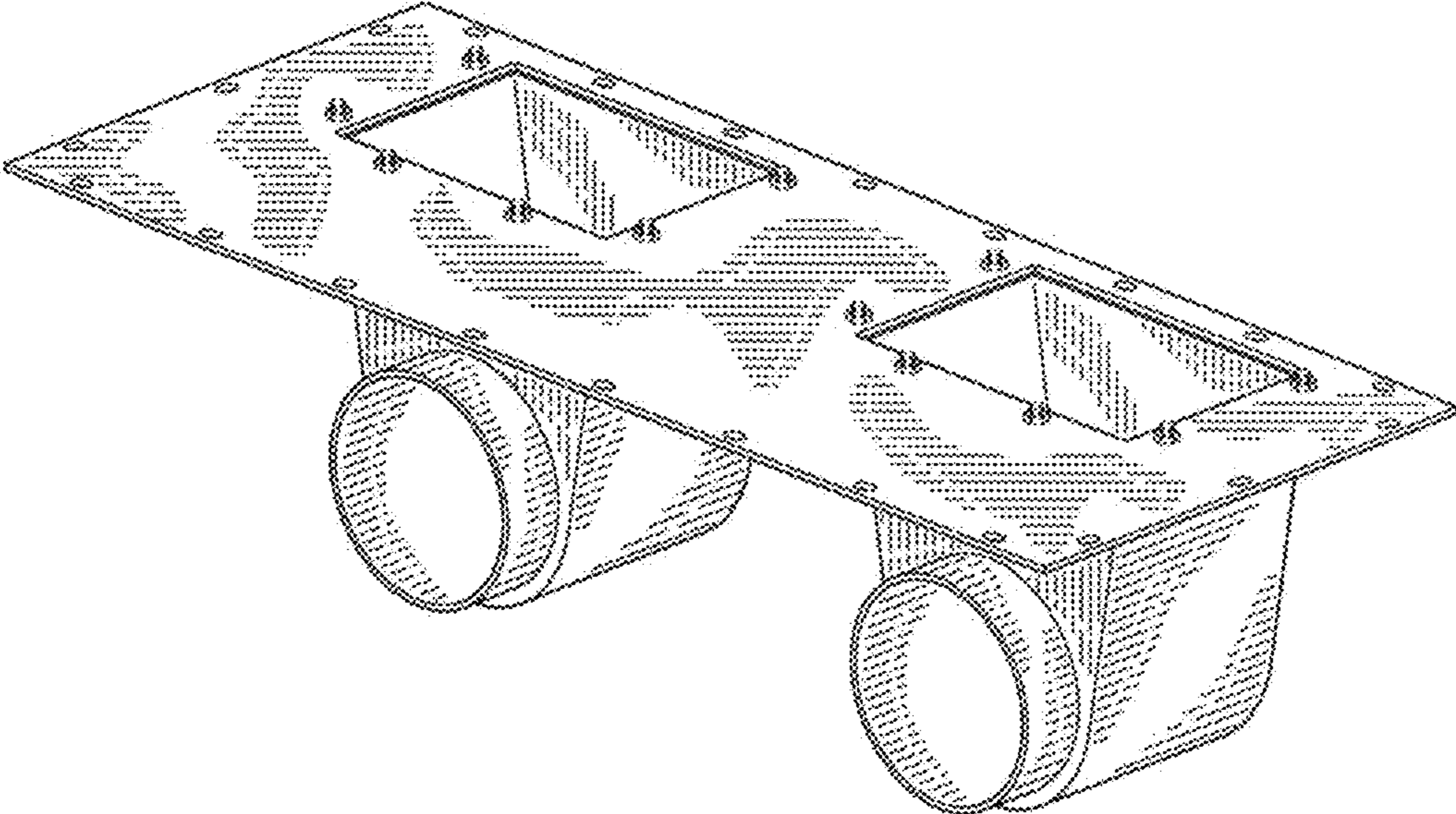


FIG. 1

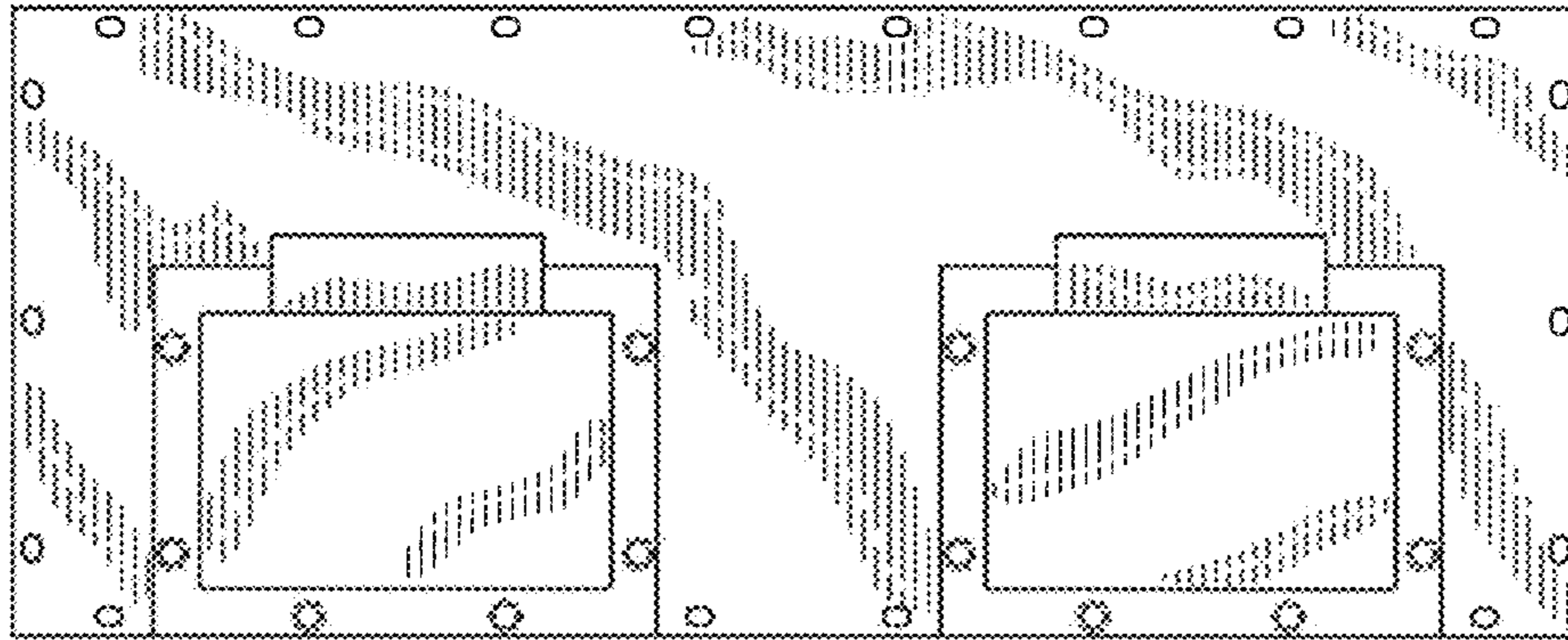


FIG. 2

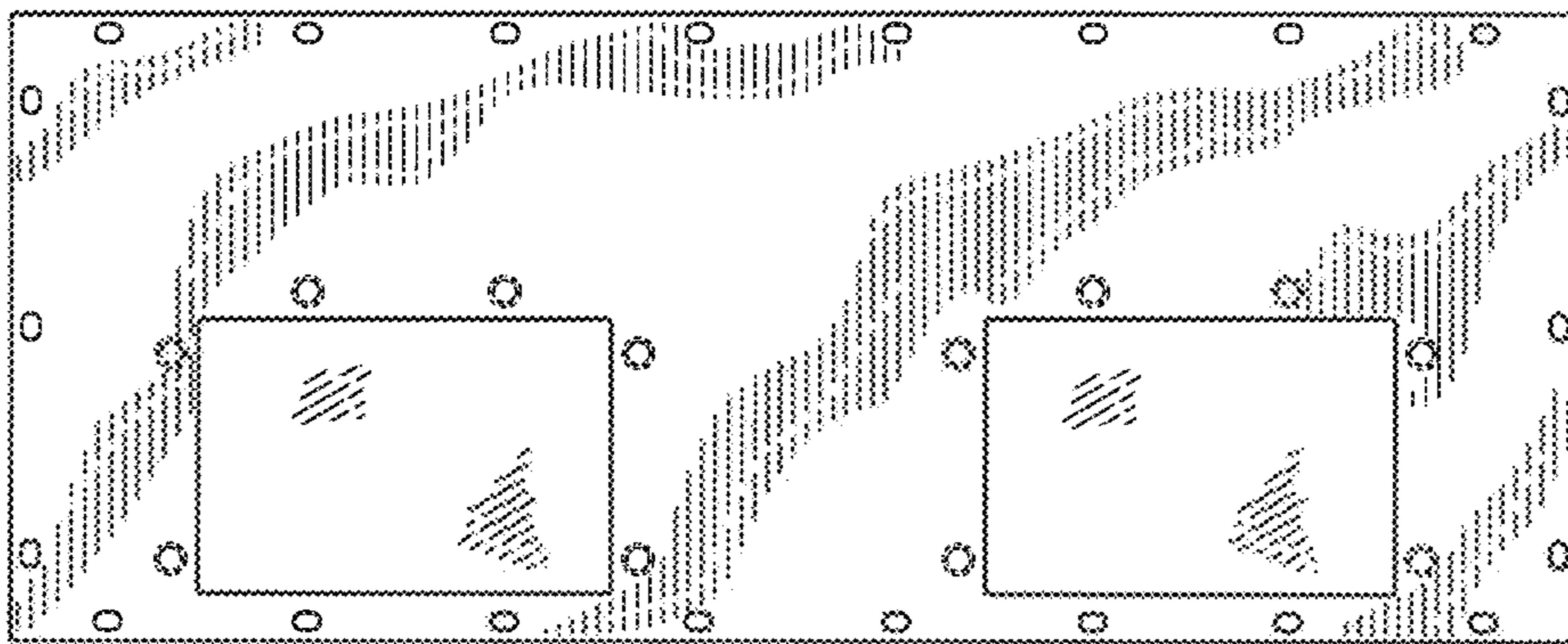


FIG. 3

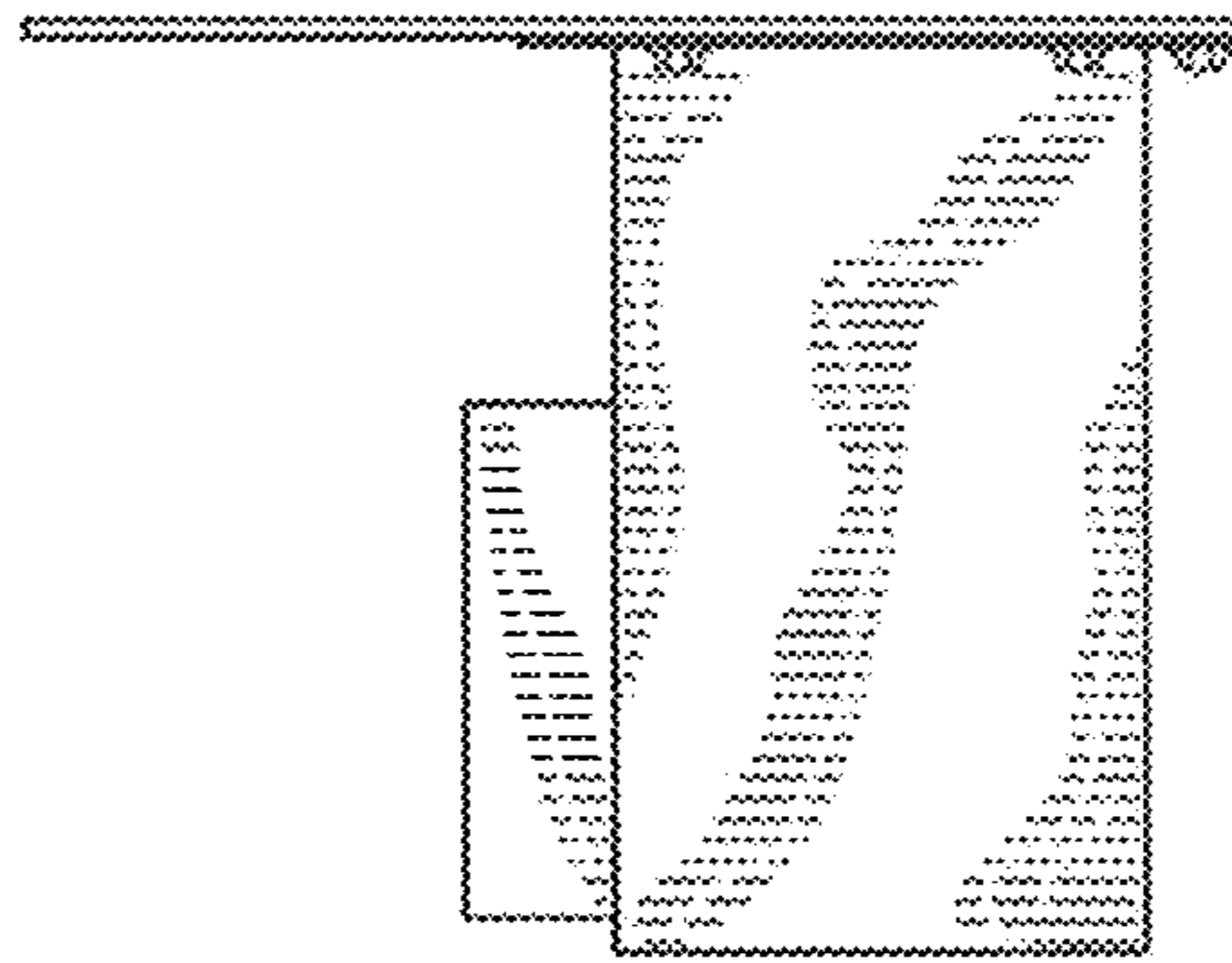


FIG. 4

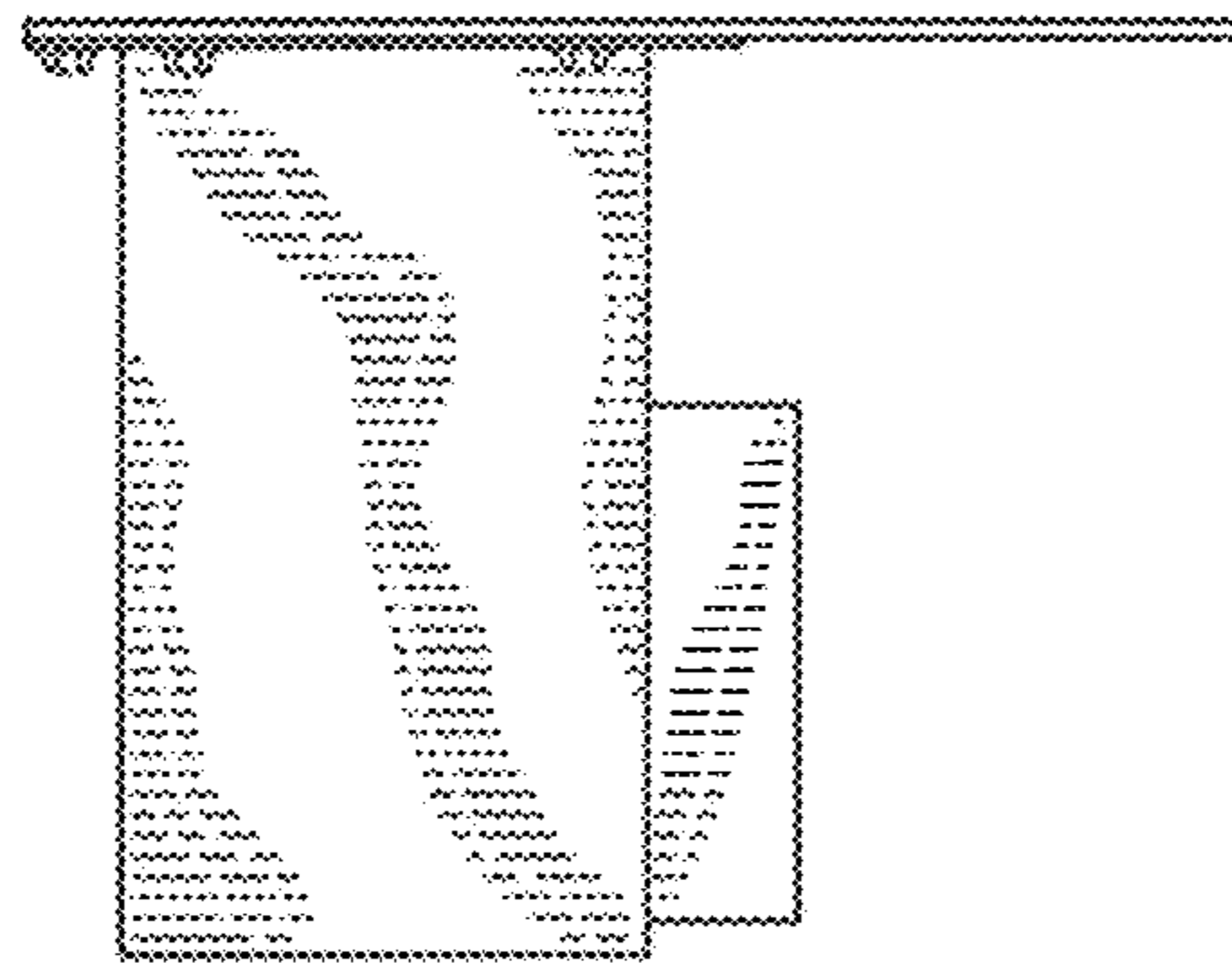


FIG. 5

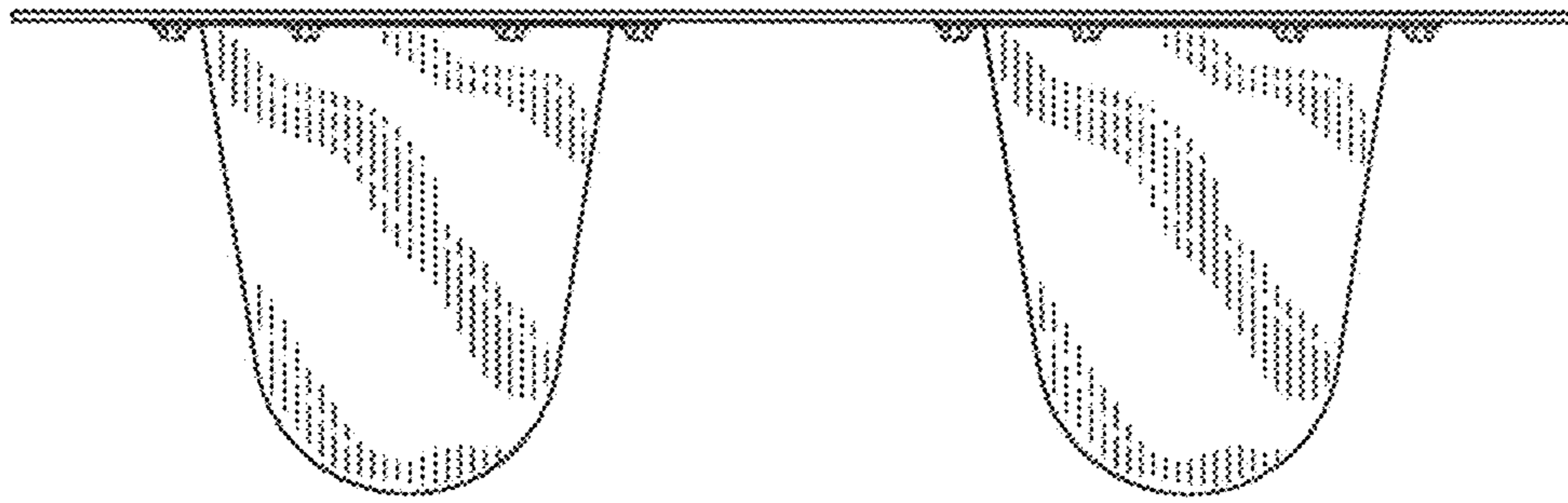


FIG. 6

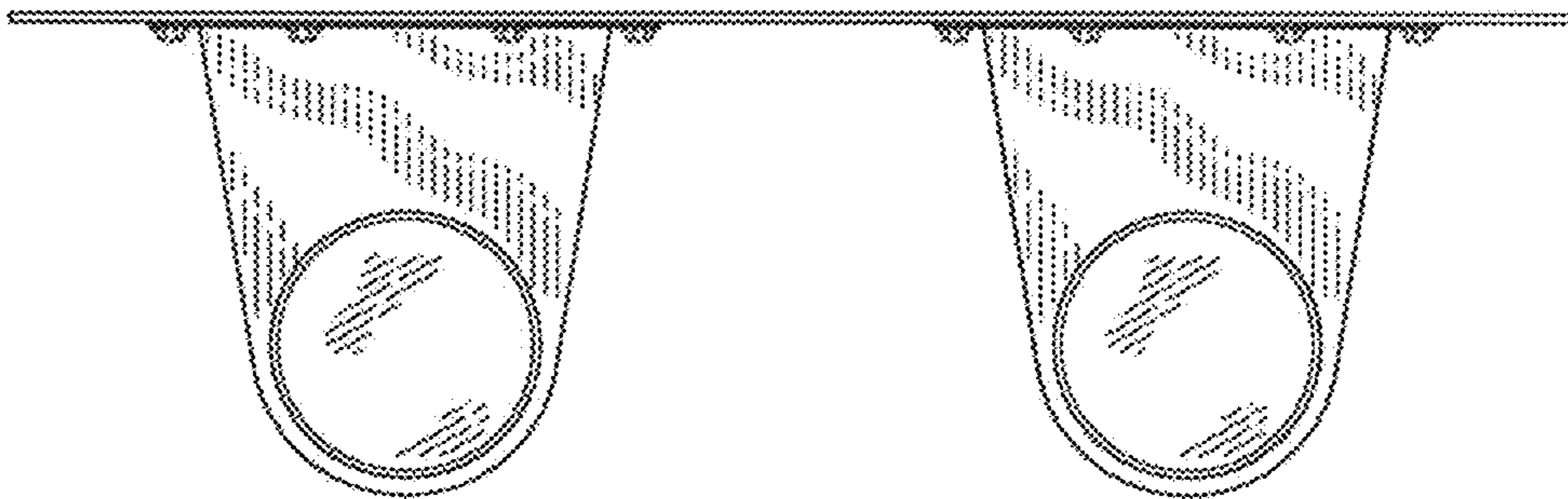


FIG. 7

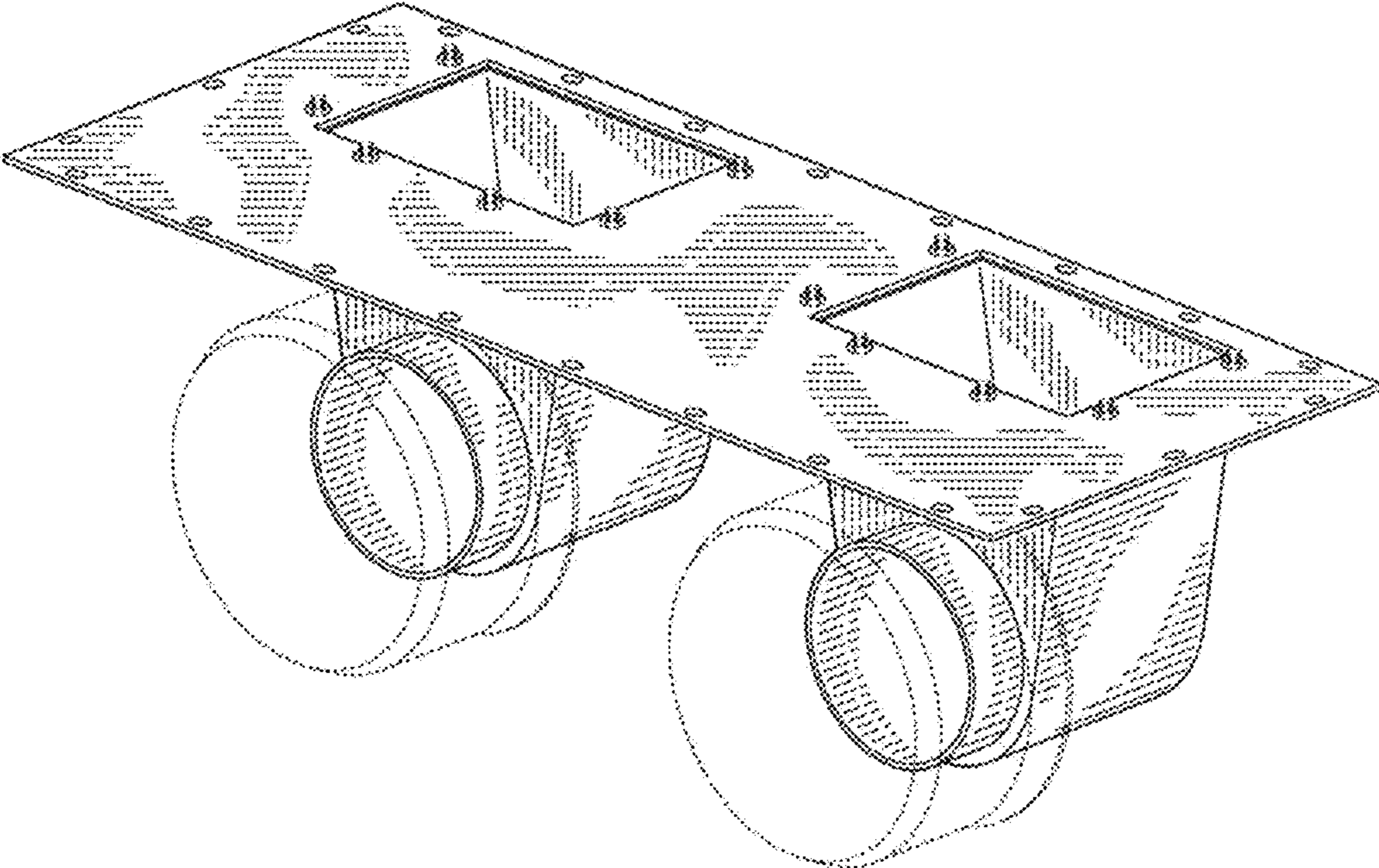


FIG. 8