



US00D857749S

(12) **United States Design Patent**  
**Brinker et al.**

(10) **Patent No.:** **US D857,749 S**

(45) **Date of Patent:** **\*\* Aug. 27, 2019**

(54) **DISPLAY SCREEN OR PORTION THEREOF WITH GRAPHICAL USER INTERFACE**

(71) Applicant: **AGCO Corporation**, Duluth, GA (US)

(72) Inventors: **Jarret Lee Brinker**, Beloit, KS (US);  
**Michael Dennis Schmidt**, Maple Grove, MN (US)

(73) Assignee: **AGCO Corporation**, Duluth, GA (US)

(\*\*) Term: **15 Years**

(21) Appl. No.: **29/628,095**

(22) Filed: **Dec. 1, 2017**

(51) **LOC (12) Cl.** ..... **14-04**

(52) **U.S. Cl.**  
USPC ..... **D14/492; D14/491**

(58) **Field of Classification Search**  
USPC ..... D14/485-495  
CPC .... G06F 3/04847; G06F 3/0485; G06F 3/048;  
G06F 3/0488; H04N 1/00477; E02F 9/26;  
E02F 3/32; E02F 9/20; B29C 45/0017;  
B29C 45/14639; B29C 45/14754; B29C  
45/1671; B29C 2793/00  
See application file for complete search history.

D709,092 S *	7/2014	Mariet	.....	D14/489
D709,914 S *	7/2014	Berdan	.....	D14/490
9,128,595 B2 *	9/2015	Muller	.....	G06F 17/246
9,207,776 B2 *	12/2015	Jiang	.....	G06F 3/0236
D748,126 S *	1/2016	Sarukkai	.....	D14/486
D766,271 S *	9/2016	Lau	.....	D14/485
D773,479 S *	12/2016	Trabona	.....	D14/485
D775,658 S *	1/2017	Luo	.....	D14/488
D786,304 S *	5/2017	Cronin	.....	D14/485
D787,551 S *	5/2017	Oh	.....	D14/489
D788,165 S *	5/2017	Bunyard	.....	D14/489
D791,766 S *	7/2017	Koehler	.....	D14/346
D808,988 S *	1/2018	Ayvazian	.....	D14/485
D812,073 S *	3/2018	Lehmann	.....	D14/485
10,046,144 B2 *	8/2018	Lampropoulos	.....	A61M 25/10182
D834,592 S *	11/2018	Lehmann	.....	D14/485
D835,139 S *	12/2018	Li	.....	D14/486
D835,648 S *	12/2018	Begin	.....	D14/486
2007/0136679 A1 *	6/2007	Yang	.....	H04N 5/44513 715/772

(Continued)

*Primary Examiner* — Darlington Ly  
*Assistant Examiner* — Katherine A Holbrow

(57) **CLAIM**

The ornamental design for a display screen or portion thereof with graphical user interface, as shown and described.

**DESCRIPTION**

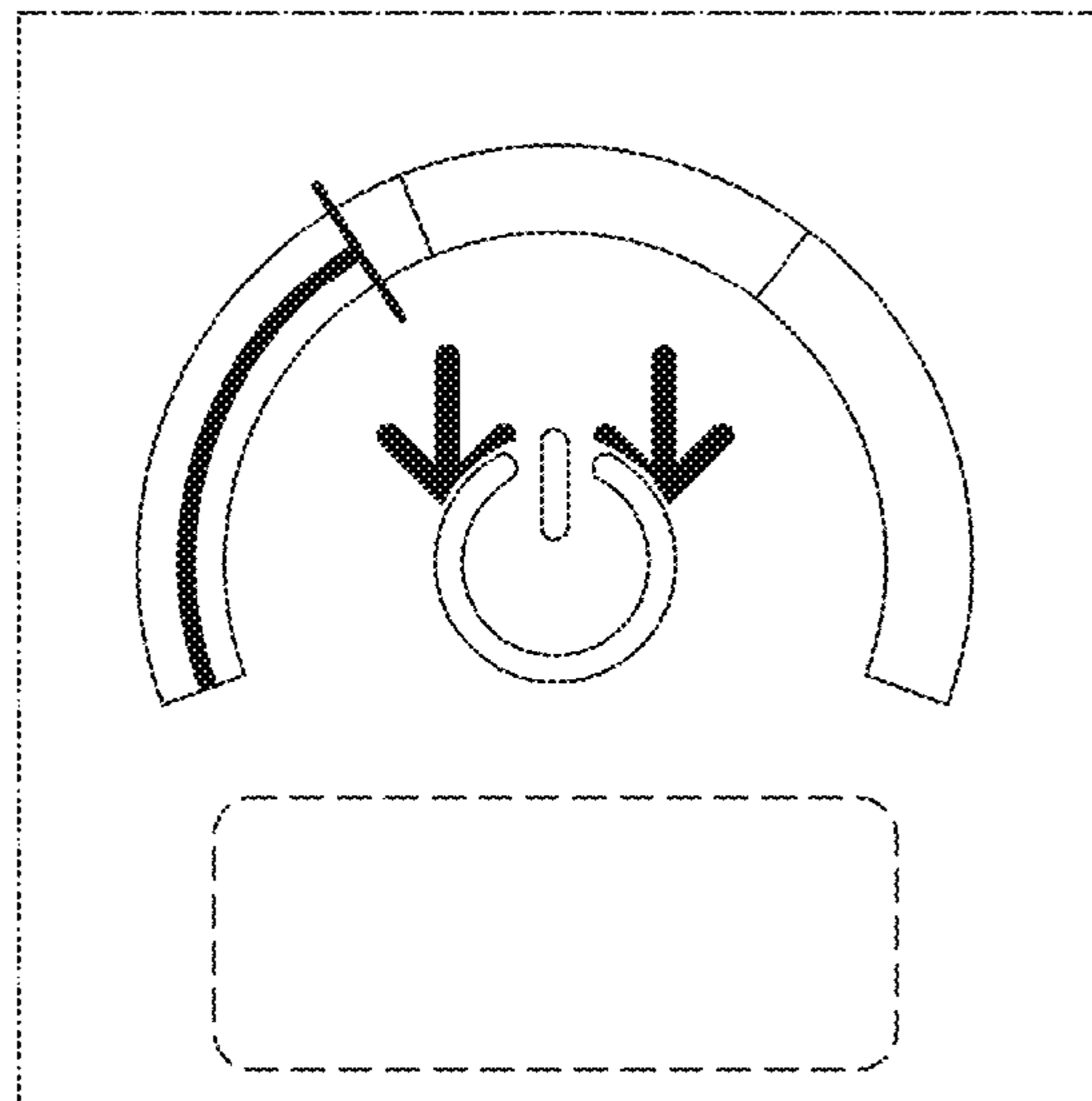
FIG. 1 is a front view of a display screen or portion thereof with graphical user interface, showing a first embodiment of our new design; and,  
FIG. 2 is a second embodiment thereof.  
The dot-dash lines depict a display screen or portion thereof, and form no part of the claimed design. All other broken lines showing portions of the graphical user interface depict portions of the article and form no part of the claimed design.

**1 Claim, 2 Drawing Sheets**

(56) **References Cited**

U.S. PATENT DOCUMENTS

6,172,428 B1 *	1/2001	Jordan	.....	H02P 9/04 290/40 C
D473,151 S *	4/2003	Shaland	.....	D10/103
D505,135 S *	5/2005	Sapp	.....	D14/489
D508,145 S *	8/2005	Jackel-Marken	.....	D28/4
D550,696 S *	9/2007	Kortum	.....	D14/491
D591,305 S *	4/2009	Shimoda	.....	D14/485
D701,226 S *	3/2014	Jung	.....	D14/486
D702,251 S *	4/2014	Kotler	.....	D14/487
D707,705 S *	6/2014	Folken	.....	D14/490
D708,221 S *	7/2014	Danton	.....	D14/492



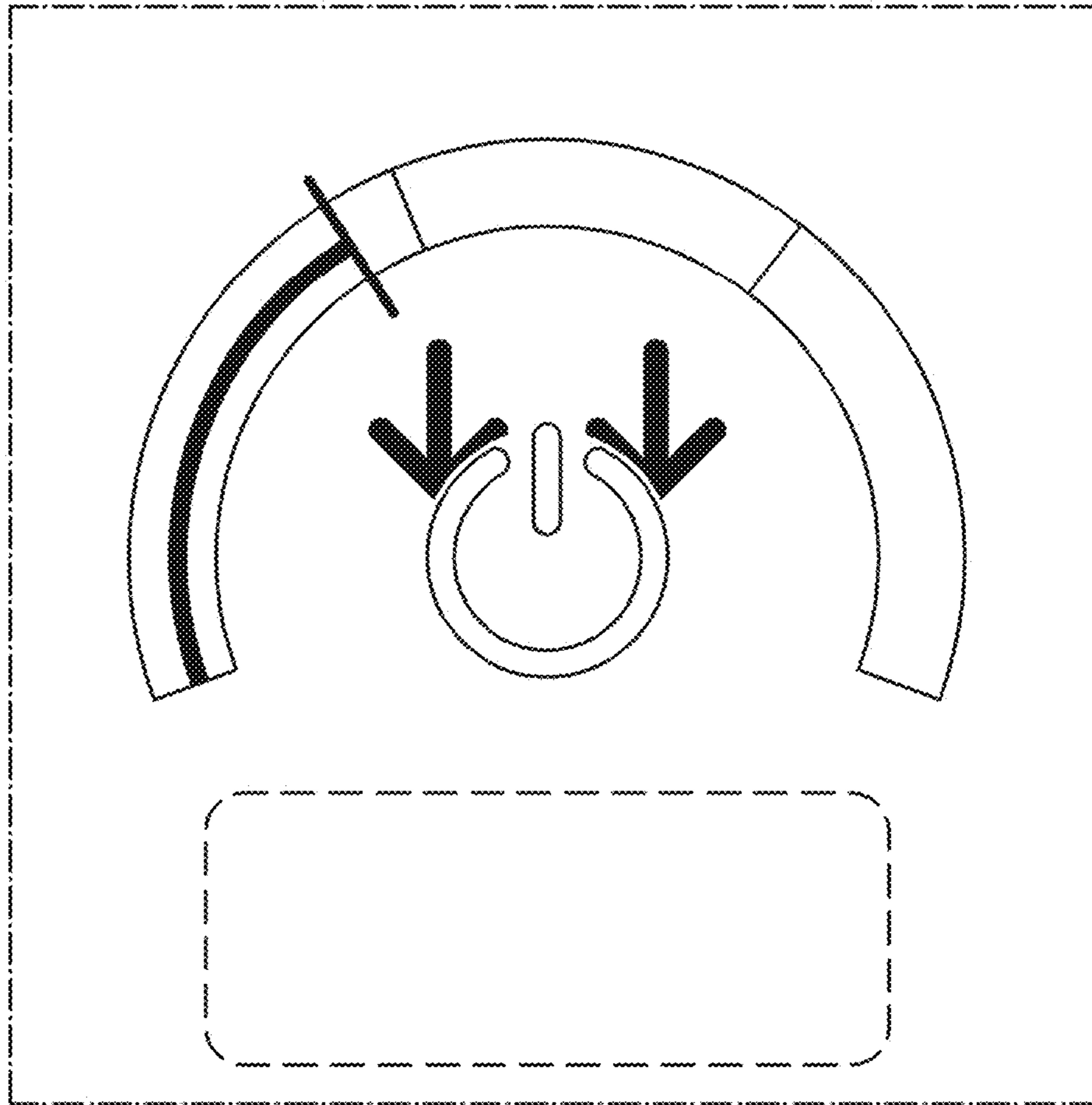
(56)

**References Cited**

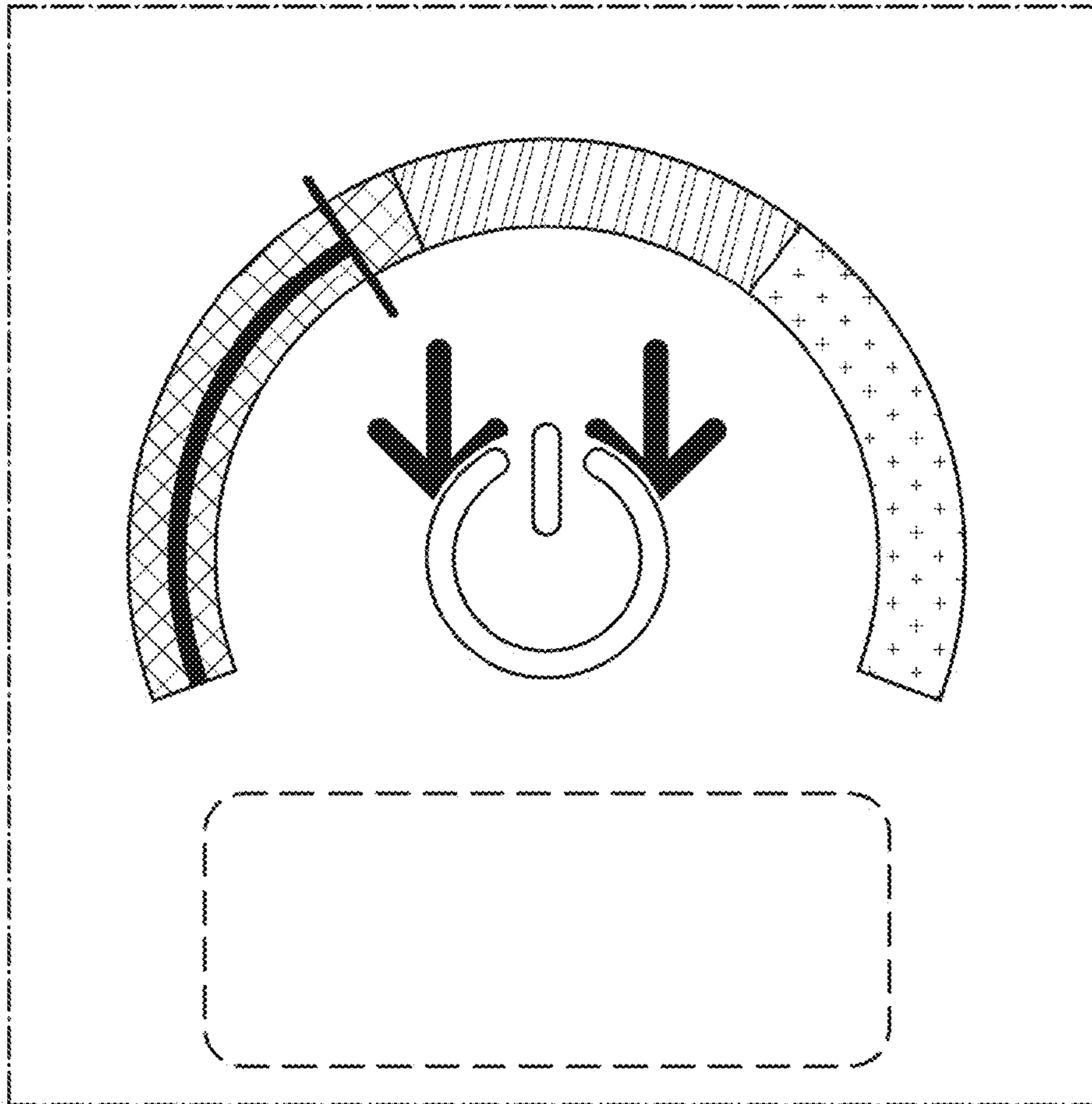
U.S. PATENT DOCUMENTS

2009/0089701 A1\* 4/2009 Baier ..... G05B 19/0426  
715/772  
2013/0127911 A1\* 5/2013 Brown ..... G06F 3/04886  
345/649  
2013/0212529 A1\* 8/2013 Amarnath ..... G06F 3/017  
715/810  
2013/0262687 A1\* 10/2013 Avery ..... G06F 9/54  
709/229

\* cited by examiner



*Fig. 1*



*Fig. 2*