



US00D857732S

(12) **United States Design Patent**
Yang et al.

(10) **Patent No.:** **US D857,732 S**

(45) **Date of Patent:** **** Aug. 27, 2019**

(54) **DISPLAY SCREEN OR PORTION THEREOF WITH TRANSITIONAL GRAPHICAL USER INTERFACE**

FOREIGN PATENT DOCUMENTS

EM 002473835-0024 6/2014
KR 300602290 S 6/2011

(Continued)

(71) Applicant: **SAMSUNG ELECTRONICS CO., LTD.**, Suwon-si, Gyeonggi-do (KR)

OTHER PUBLICATIONS

(72) Inventors: **Sul-Hee Yang**, Incheon-si (KR);
Jang-Won Seo, Seoul (KR)

Page Turning, by Qiao, dated Oct. 14, 2017, dribbble.com [online]. Retrieved Mar. 28, 2019 from internet <URL:https://dribbble.com/shots/3874350-Page-Turning> (Year: 2017).*

(73) Assignee: **SAMSUNG ELECTRONICS CO., LTD.**, Gyeonggi-Do (KR)

Primary Examiner — Cathron C Brooks
Assistant Examiner — Andrew T Nemeth

(**) Term: **15 Years**

(74) *Attorney, Agent, or Firm* — Cantor Colburn LLP

(21) Appl. No.: **29/647,526**

(57) **CLAIM**

(22) Filed: **May 14, 2018**

The ornamental design for a display screen or portion thereof with transitional graphical user interface, as shown and described.

(30) **Foreign Application Priority Data**

Nov. 15, 2017 (KR) 30-2017-0053347

(51) **LOC (12) Cl.** **14-04**

(52) **U.S. Cl.**
USPC **D14/486**

(58) **Field of Classification Search**
USPC D14/485–495
CPC .. G06F 3/0482; G06F 3/04883; G06F 3/0481;
G06F 3/04842; G06F 3/0488; G06F
3/04817; G06F 3/04847; G06F 3/0485;
G06F 3/04886; G06F 3/0484; G06F
9/451;

(Continued)

(56) **References Cited**

U.S. PATENT DOCUMENTS

D638,027 S * 5/2011 Towbin D14/488
D658,195 S * 4/2012 Cranfill D14/486

(Continued)

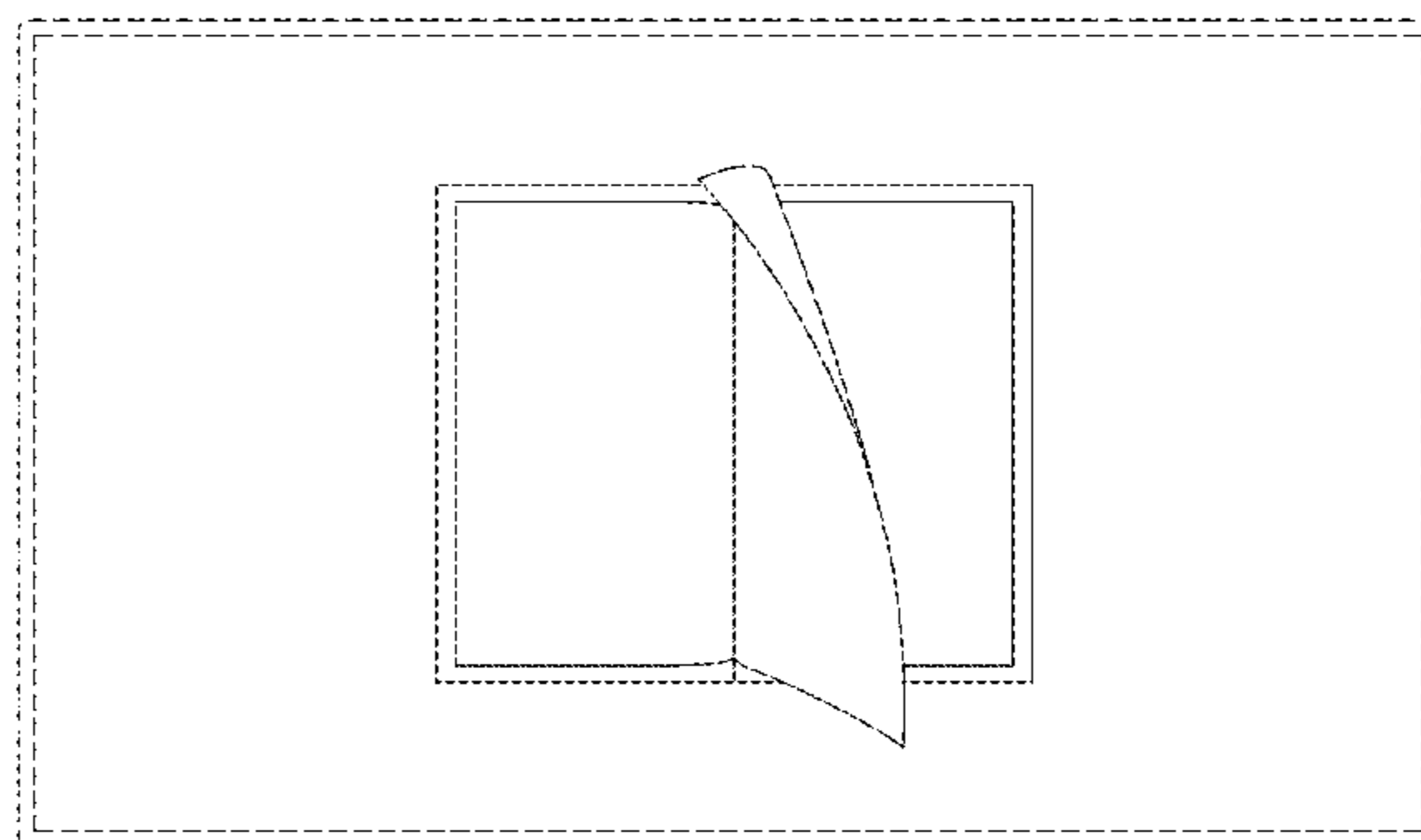
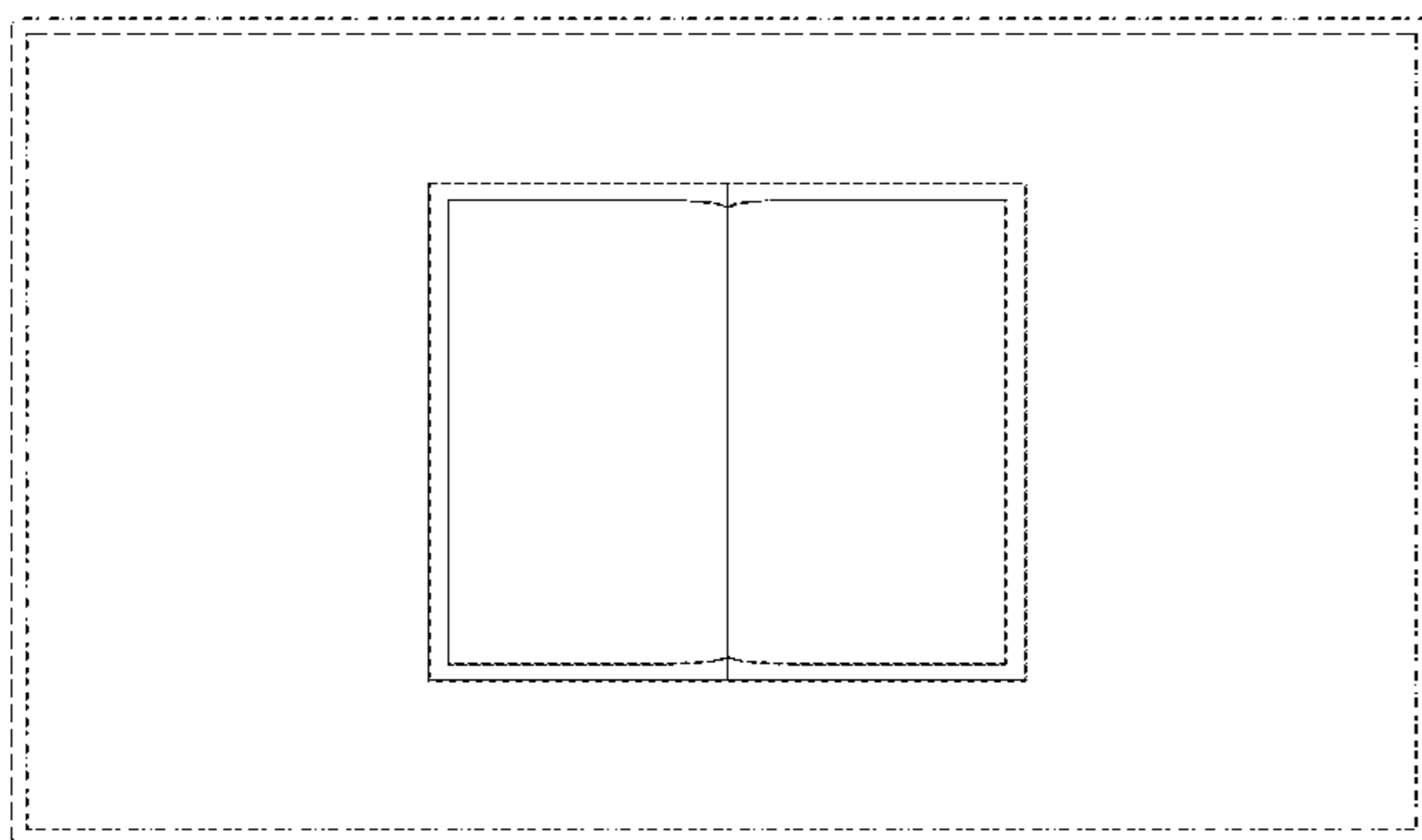
DESCRIPTION

FIG. 1 is a front view of the first image in a sequence for a display screen or portion thereof with transitional graphical user interface, showing our new design; FIG. 2 is a front view of the second image thereof; FIG. 3 is a front view of the third image thereof; FIG. 4 is a front view of the fourth image thereof; FIG. 5 is a front view of the fifth image thereof; FIG. 6 is a front view of the sixth image thereof; FIG. 7 is a front view of the seventh image thereof; FIG. 8 is a front view of the eighth image thereof; FIG. 9 is a front view of the ninth image thereof; FIG. 10 is a front view of the tenth image thereof; and, FIG. 11 is a front view of the eleventh image thereof.

The outer perimeters illustrated by a pair of broken lines represent display screens or portions thereof and forms no part of the claimed design.

The appearance of the transitional graphical user interface sequentially transitions between the images shown in FIGS.

(Continued)



1-11. The process or period in which one image transitions to another forms no part of the claimed design.

1 Claim, 11 Drawing Sheets

(58) Field of Classification Search

CPC .. G06F 3/04845; G06F 3/0486; G07F 17/32;
G07F 17/3244

See application file for complete search history.

(56) References Cited

U.S. PATENT DOCUMENTS

D669,906 S * 10/2012 Cranfill G06F 3/04883
D14/485
D693,842 S * 11/2013 Tsuda D14/489
D706,810 S * 6/2014 Jones D14/488
D727,924 S * 4/2015 Yu G06F 3/04817
D14/485
D729,818 S * 5/2015 Bae D14/485
D732,551 S * 6/2015 Lee G06F 3/04817
D14/485
D733,163 S * 6/2015 Lee G06F 3/04817
D14/485
D735,216 S * 7/2015 Lee G06F 3/04817
D14/485
D735,734 S * 8/2015 Lee D14/485

D736,220 S * 8/2015 Lee G06F 3/04817
D14/485
D736,221 S * 8/2015 Lee D14/485
D736,781 S * 8/2015 Lee D14/485
D736,782 S * 8/2015 Lee G06F 3/04817
D14/485
D737,280 S * 8/2015 Lee G06F 3/04817
D14/485
D750,641 S * 3/2016 Yu D14/485
D758,385 S * 6/2016 Dong D14/485
D762,208 S 7/2016 Akana et al.
D775,158 S * 12/2016 Dong D14/485
D787,523 S * 5/2017 Jones D14/485
D787,524 S * 5/2017 Jones D14/485
D789,378 S * 6/2017 Gottlieb D14/485
D793,404 S * 8/2017 Inose D14/485
D809,547 S * 2/2018 Wilde D14/486
D823,299 S * 7/2018 Akana D14/341
2013/0249940 A1* 9/2013 Nakada G09G 5/14
345/629
2013/0321340 A1* 12/2013 Seo G06F 1/1641
345/174
2014/0046809 A1* 2/2014 Baker G06F 3/0482
705/27.1

FOREIGN PATENT DOCUMENTS

KR 300647893 S 6/2012
KR 300668900 S 11/2012

* cited by examiner

FIG. 1

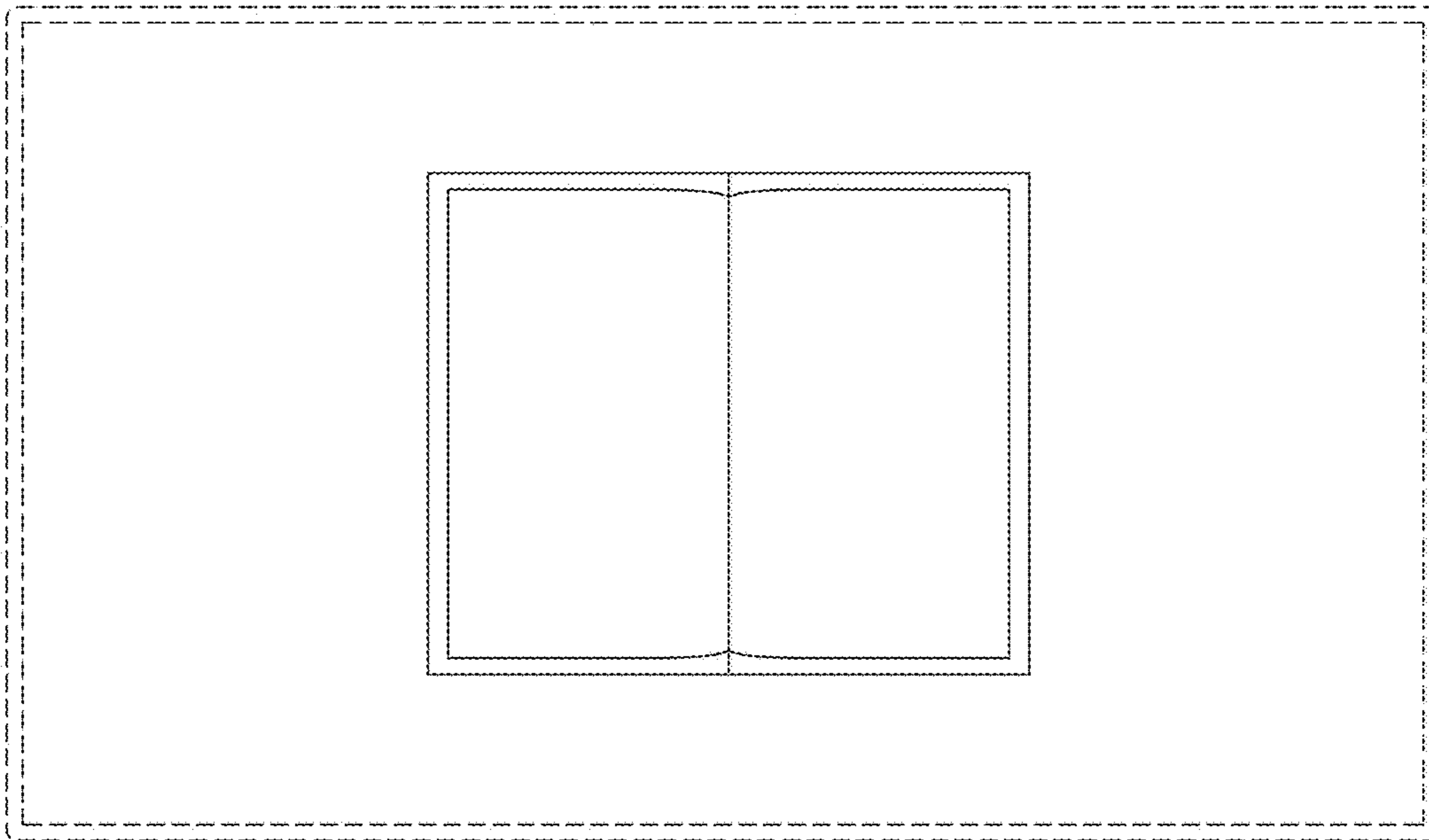


FIG. 2

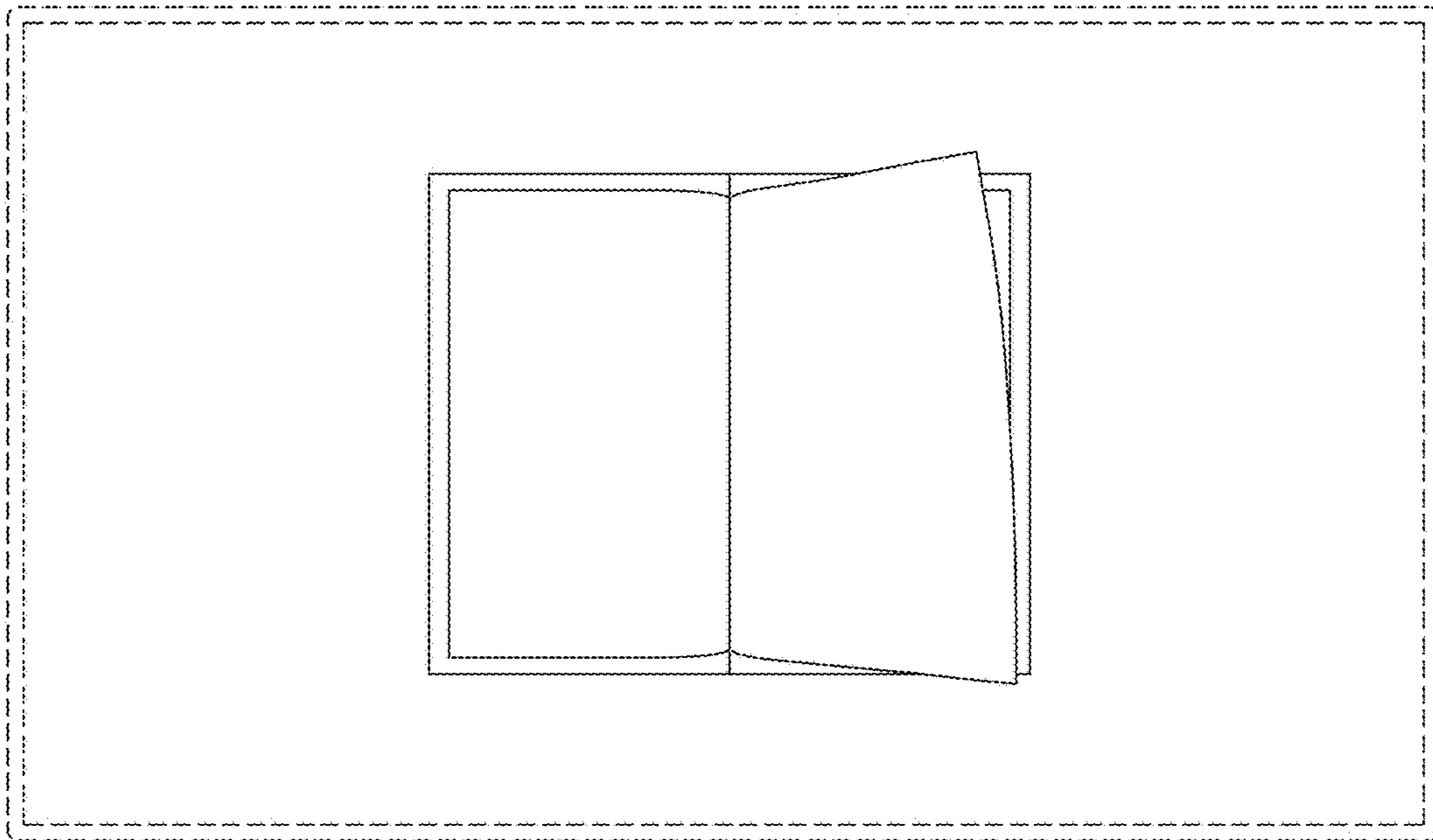


FIG. 3

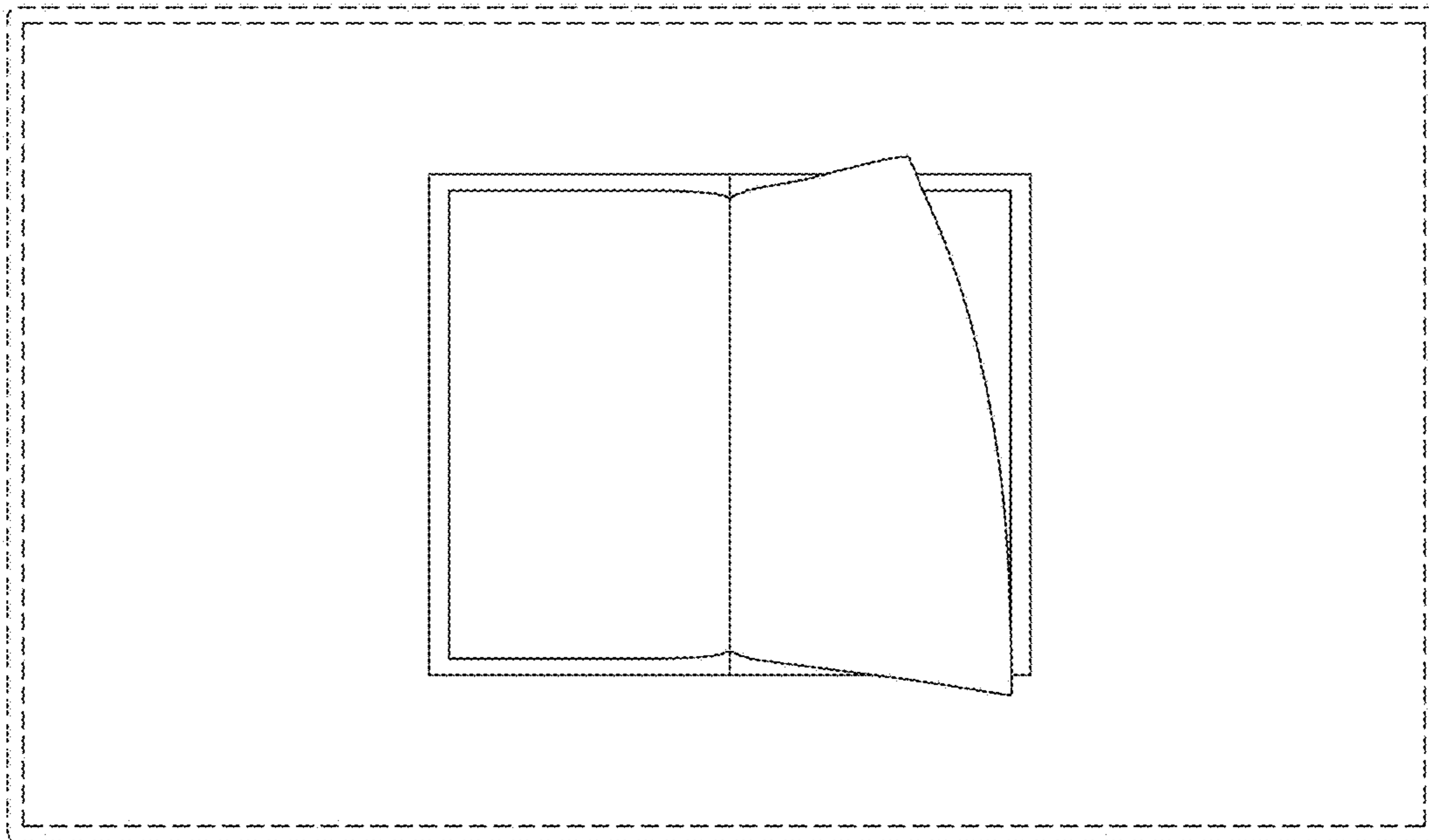


FIG. 4

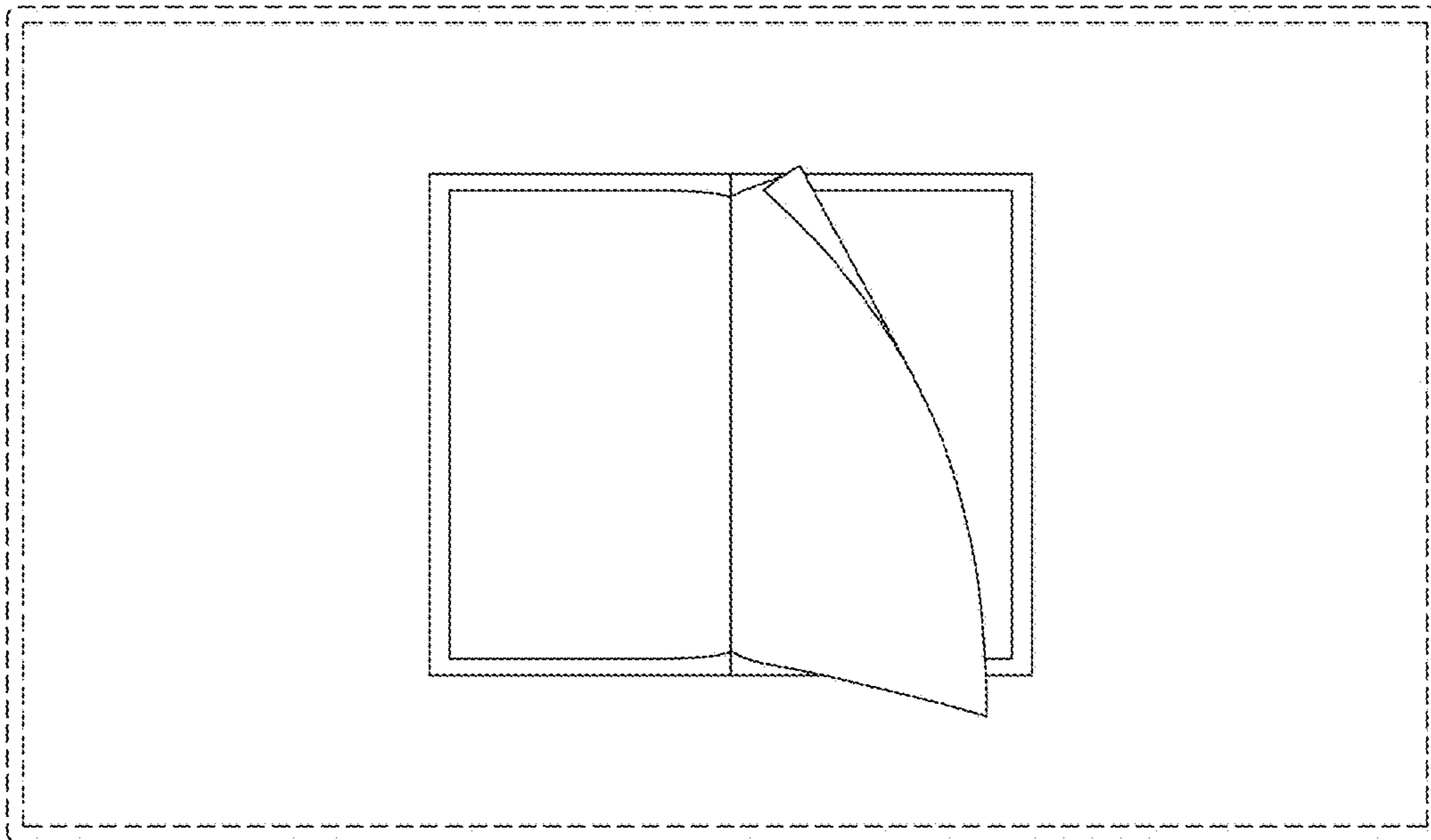


FIG. 5

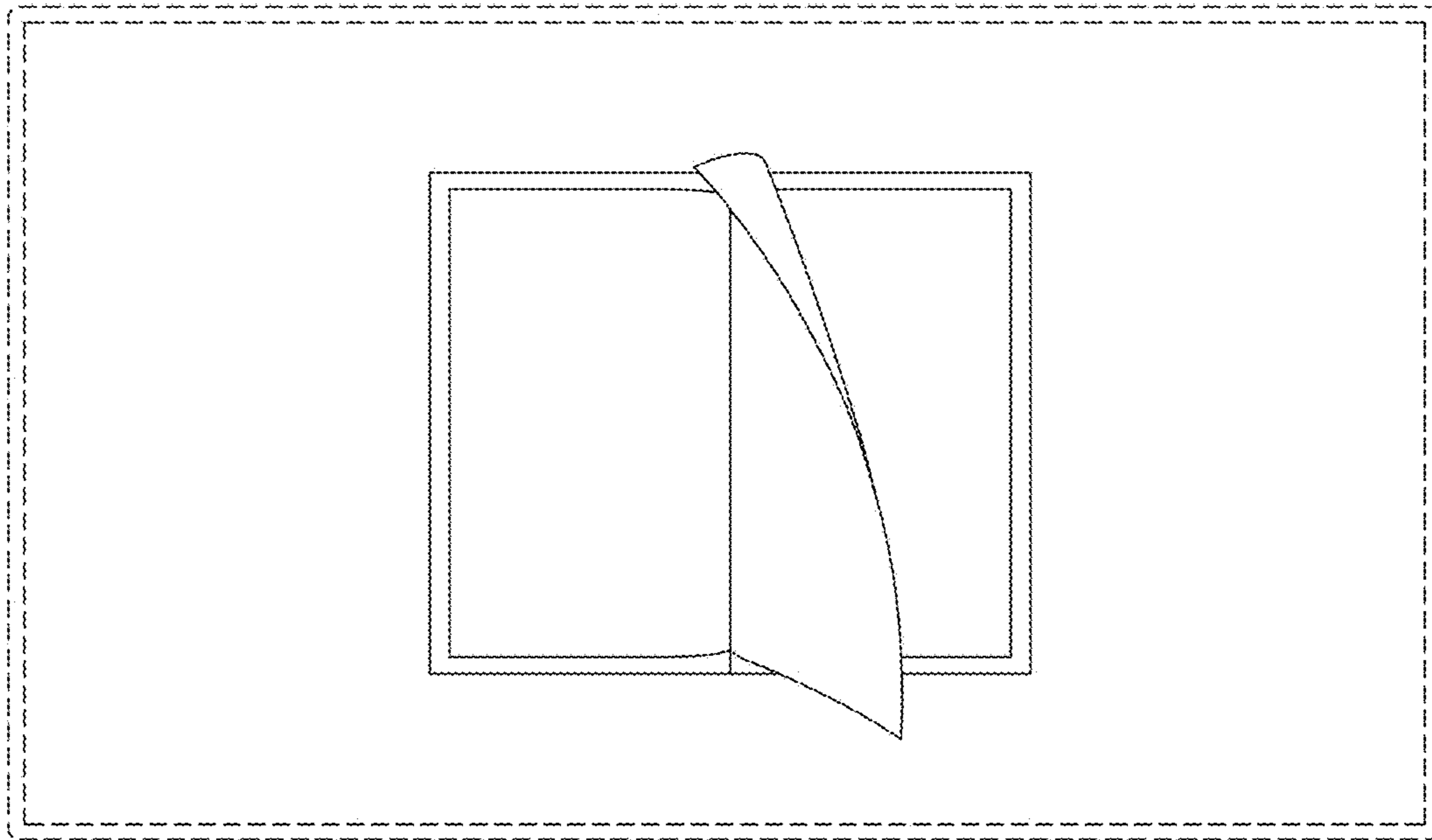


FIG. 6

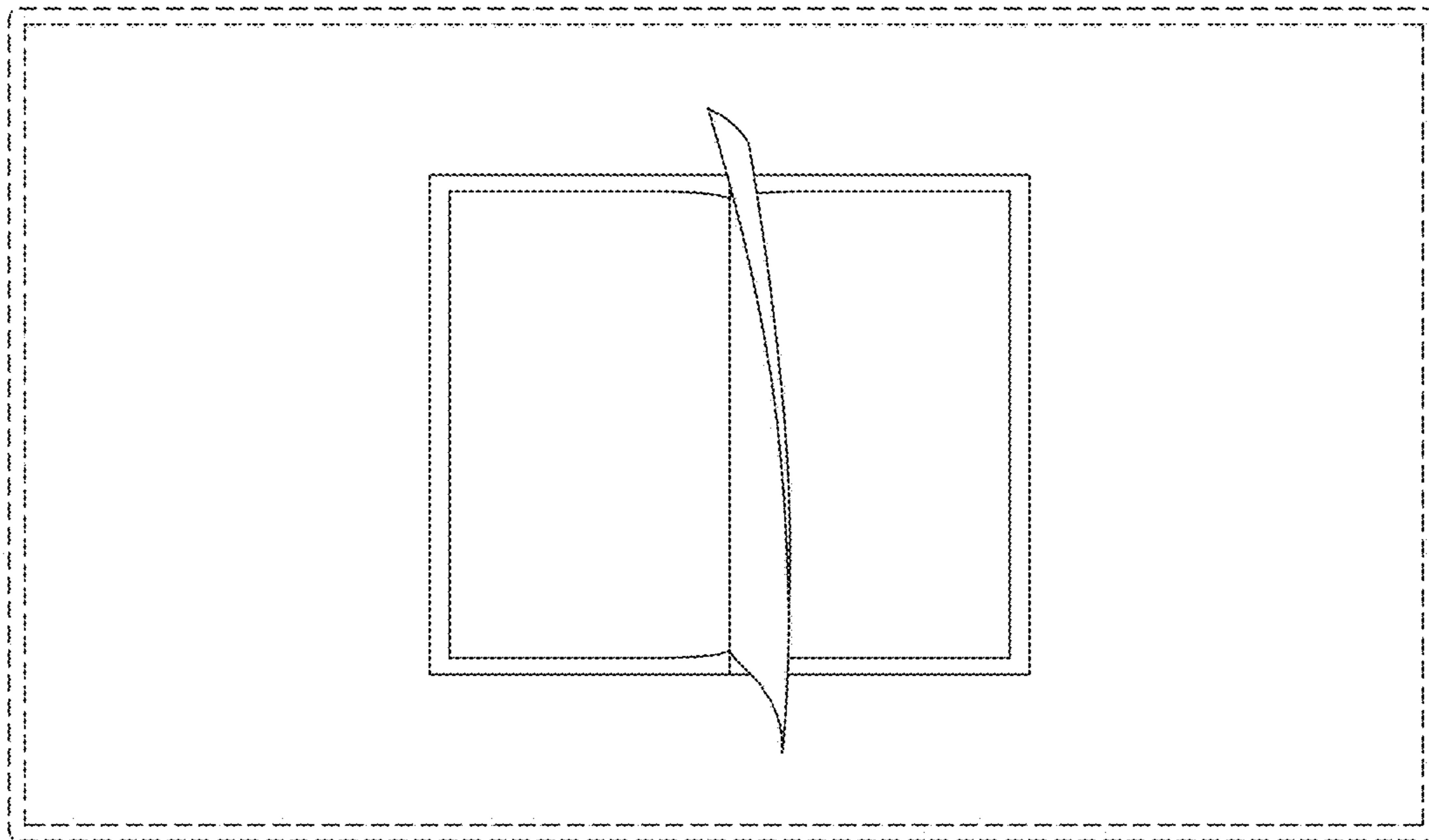


FIG. 7

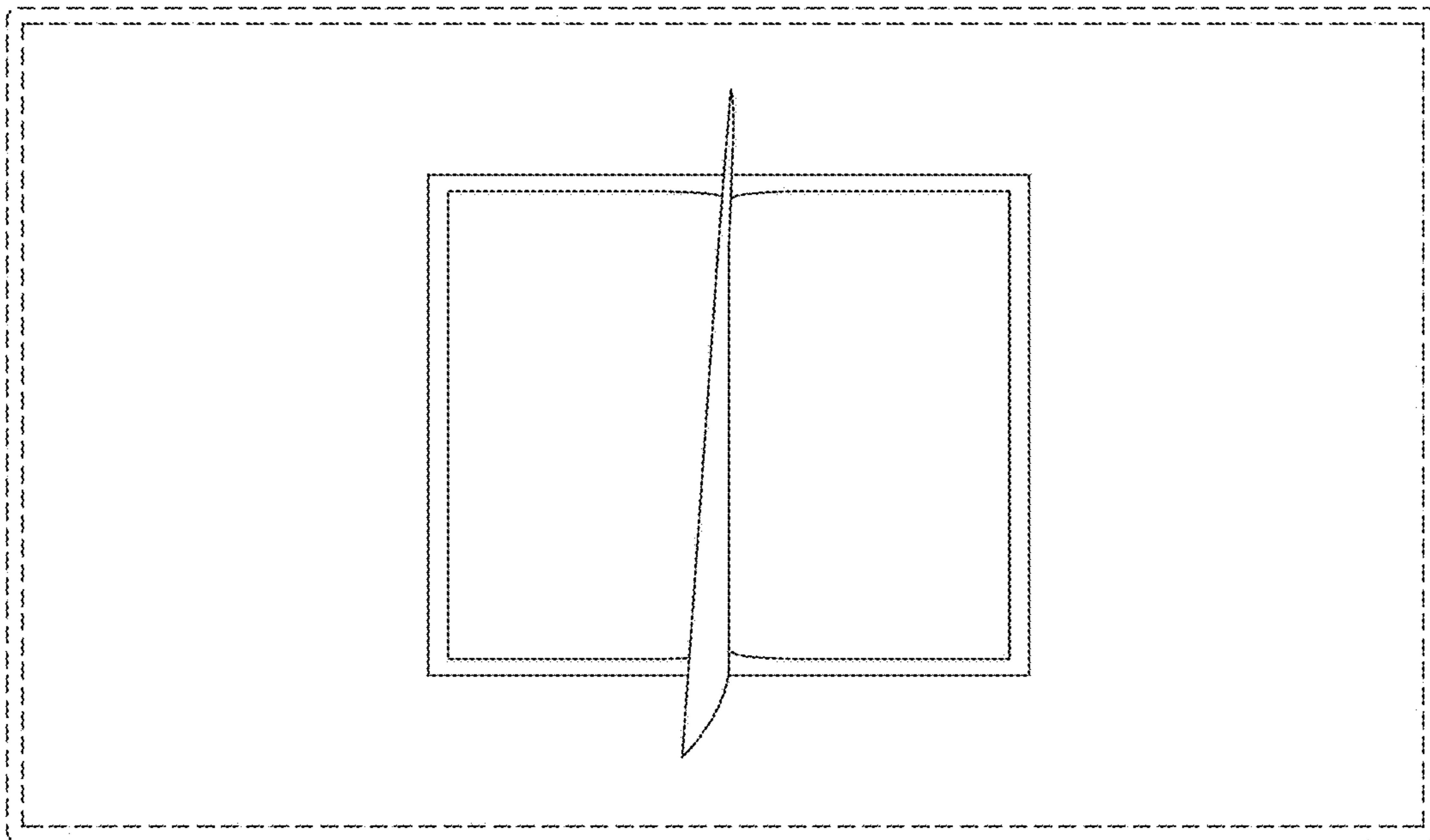


FIG. 8

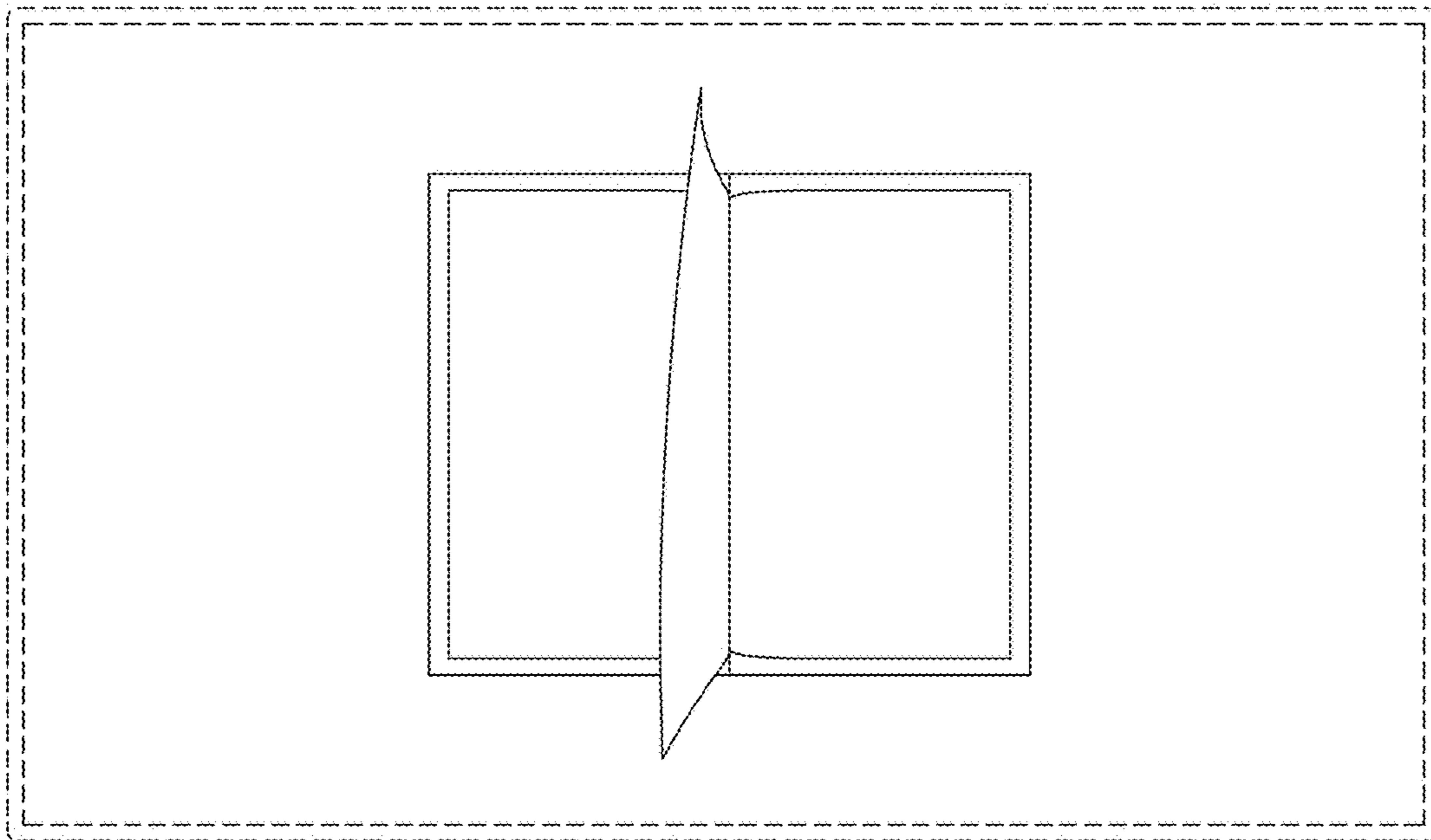


FIG. 9

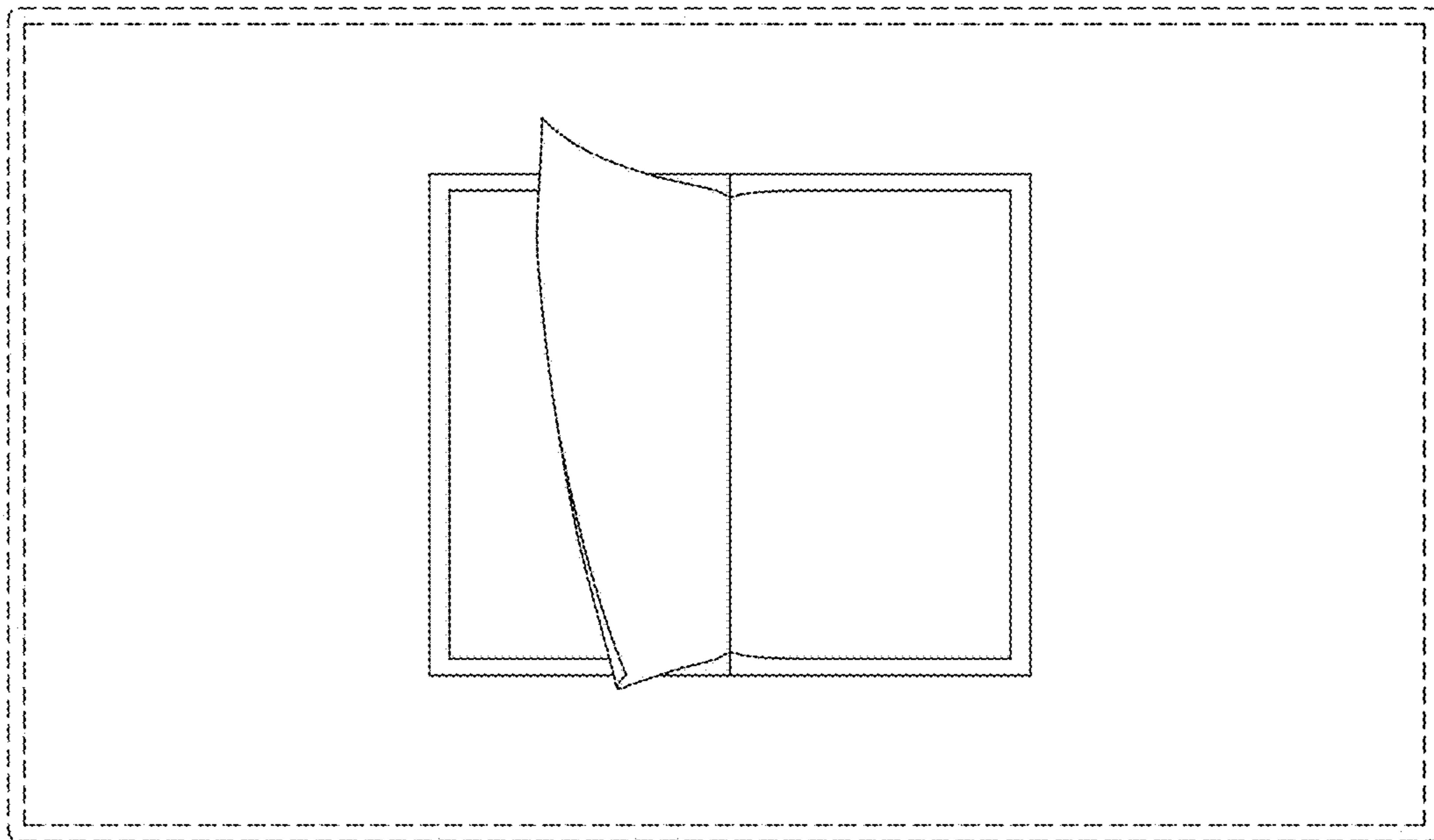


FIG. 10

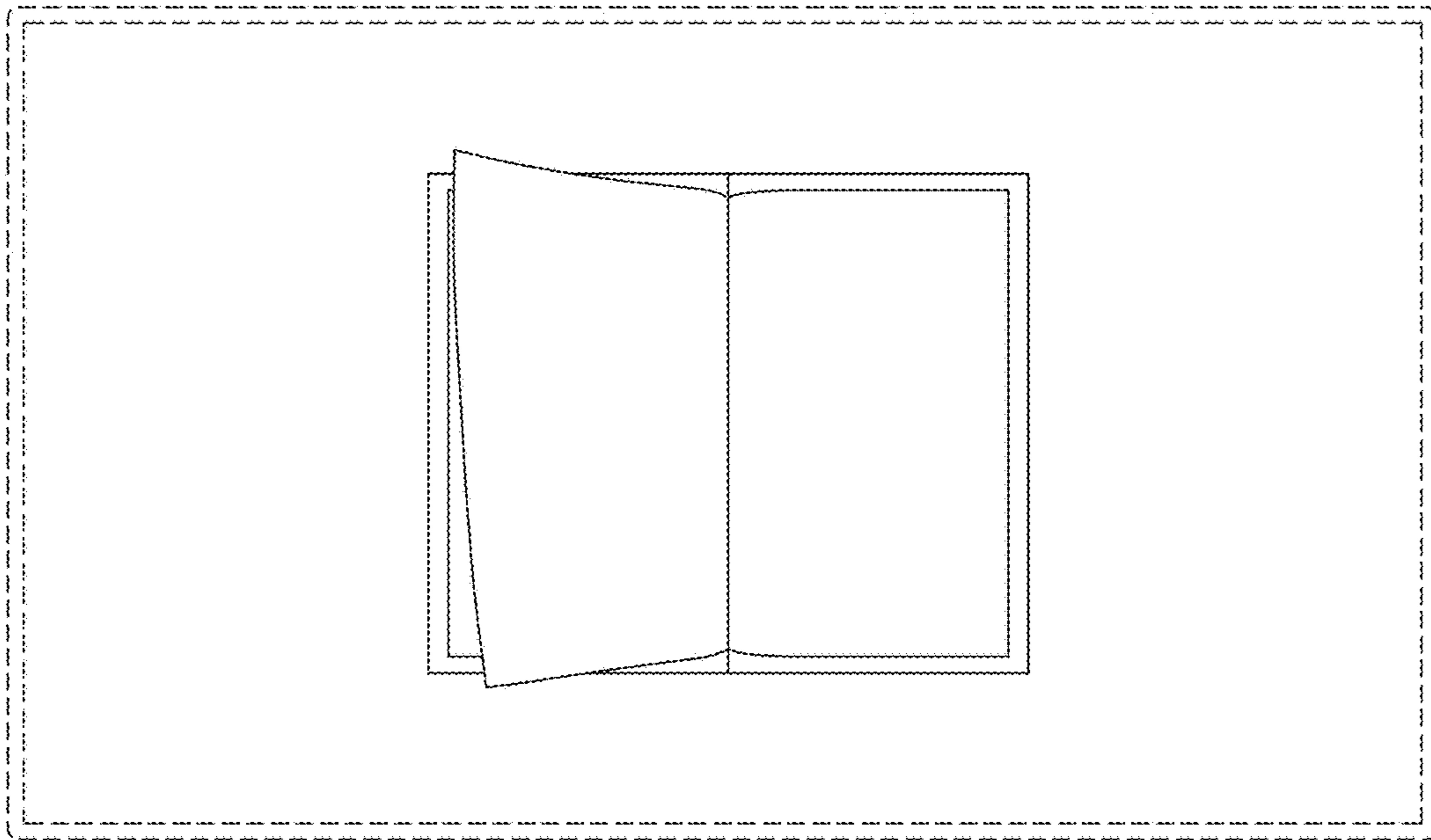


FIG. 11

