



US00D857731S

(12) **United States Design Patent**
Yang et al.

(10) **Patent No.:** **US D857,731 S**

(45) **Date of Patent:** **** Aug. 27, 2019**

(54) **DISPLAY SCREEN OR PORTION THEREOF WITH TRANSITIONAL GRAPHICAL USER INTERFACE**

(71) Applicant: **SAMSUNG ELECTRONICS CO., LTD.**, Suwon-si, Gyeonggi-do (KR)

(72) Inventors: **Sul-Hee Yang**, Incheon-si (KR);
Jang-Won Seo, Seoul (KR)

(73) Assignee: **SAMSUNG ELECTRONICS CO., LTD.**, Gyeonggi-Do (KR)

(**) Term: **15 Years**

(21) Appl. No.: **29/647,509**

(22) Filed: **May 14, 2018**

(30) **Foreign Application Priority Data**

Nov. 15, 2017 (KR) 30-2017-0053344

(51) **LOC (12) Cl.** **14-04**

(52) **U.S. Cl.**
USPC **D14/486**

(58) **Field of Classification Search**

USPC D14/485-495
CPC .. G06F 3/0482; G06F 3/04883; G06F 3/0481;
G06F 3/04842; G06F 3/0488; G06F
3/04817; G06F 3/04847; G06F 3/0485;
G06F 3/04886; G06F 3/0484; G06F
9/451;

(Continued)

(56) **References Cited**

U.S. PATENT DOCUMENTS

D638,027 S * 5/2011 Towbin D14/488
D658,195 S * 4/2012 Cranfill D14/486

(Continued)

FOREIGN PATENT DOCUMENTS

EM 002473835-0024 6/2014
KR 300602290 S 6/2011

(Continued)

OTHER PUBLICATIONS

Page Turning, by Qiao, dated Oct. 14, 2017, dribbble.com [online]. Retrieved Mar. 28, 2019 from internet <URL:https://dribbble.com/shots/3874350-Page-Turning> (Year: 2017).*

Primary Examiner — Cathron C Brooks

Assistant Examiner — Andrew T Nemeth

(74) *Attorney, Agent, or Firm* — Cantor Colburn LLP

(57) **CLAIM**

The ornamental design for a display screen or portion thereof with transitional graphical user interface, as shown and described.

DESCRIPTION

FIG. 1 is a front view of a display screen or portion thereof with transitional graphical user interface, showing the first image in a sequence, showing our new design;

FIG. 2 is a front view showing the second image thereof;

FIG. 3 is a front view showing the third image thereof;

FIG. 4 is a front view showing the fourth image thereof;

FIG. 5 is a front view showing the fifth image thereof;

FIG. 6 is a front view showing the sixth image thereof;

FIG. 7 is a front view showing the seventh image thereof;

FIG. 8 is a front view showing the eighth image thereof;

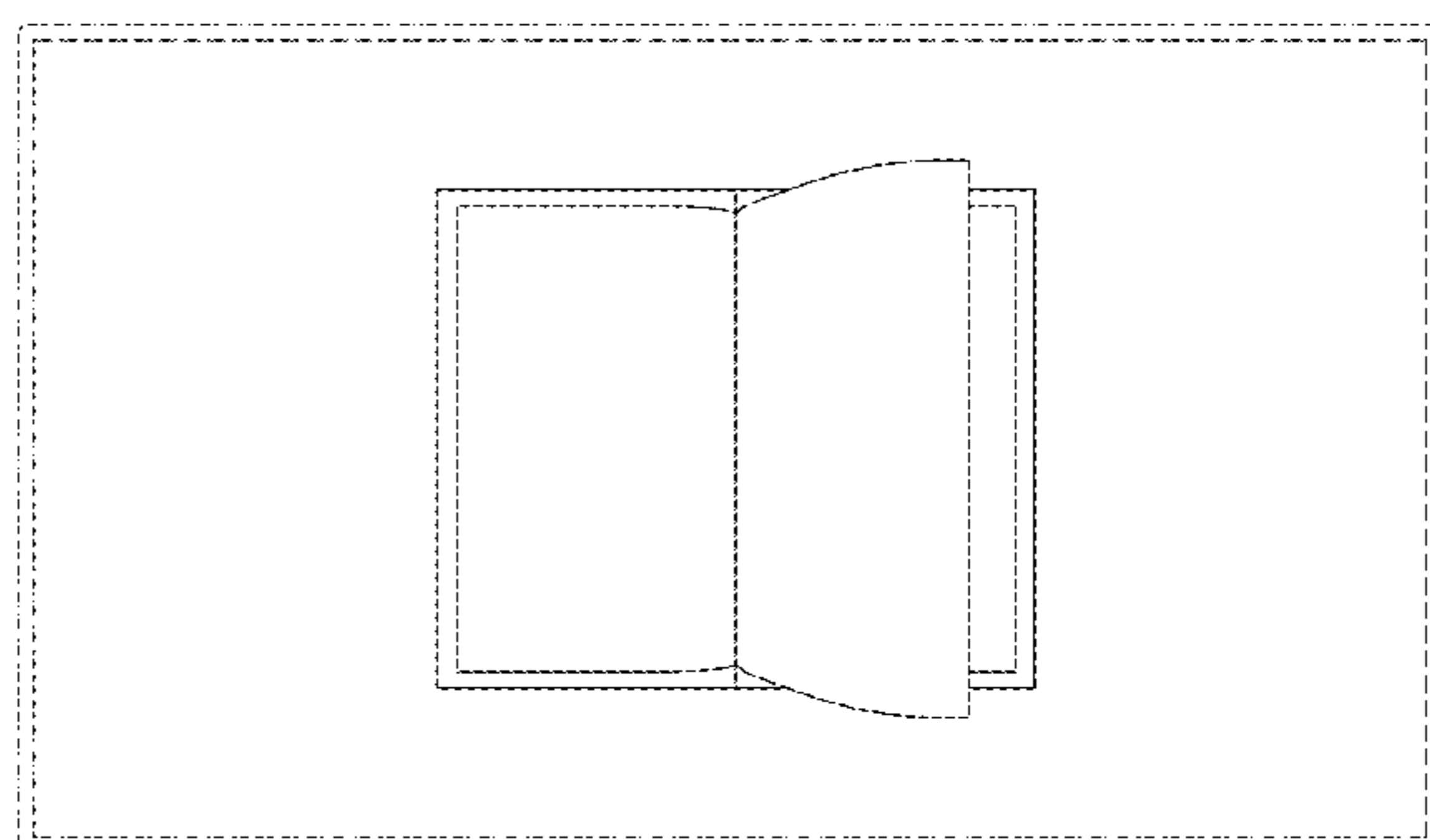
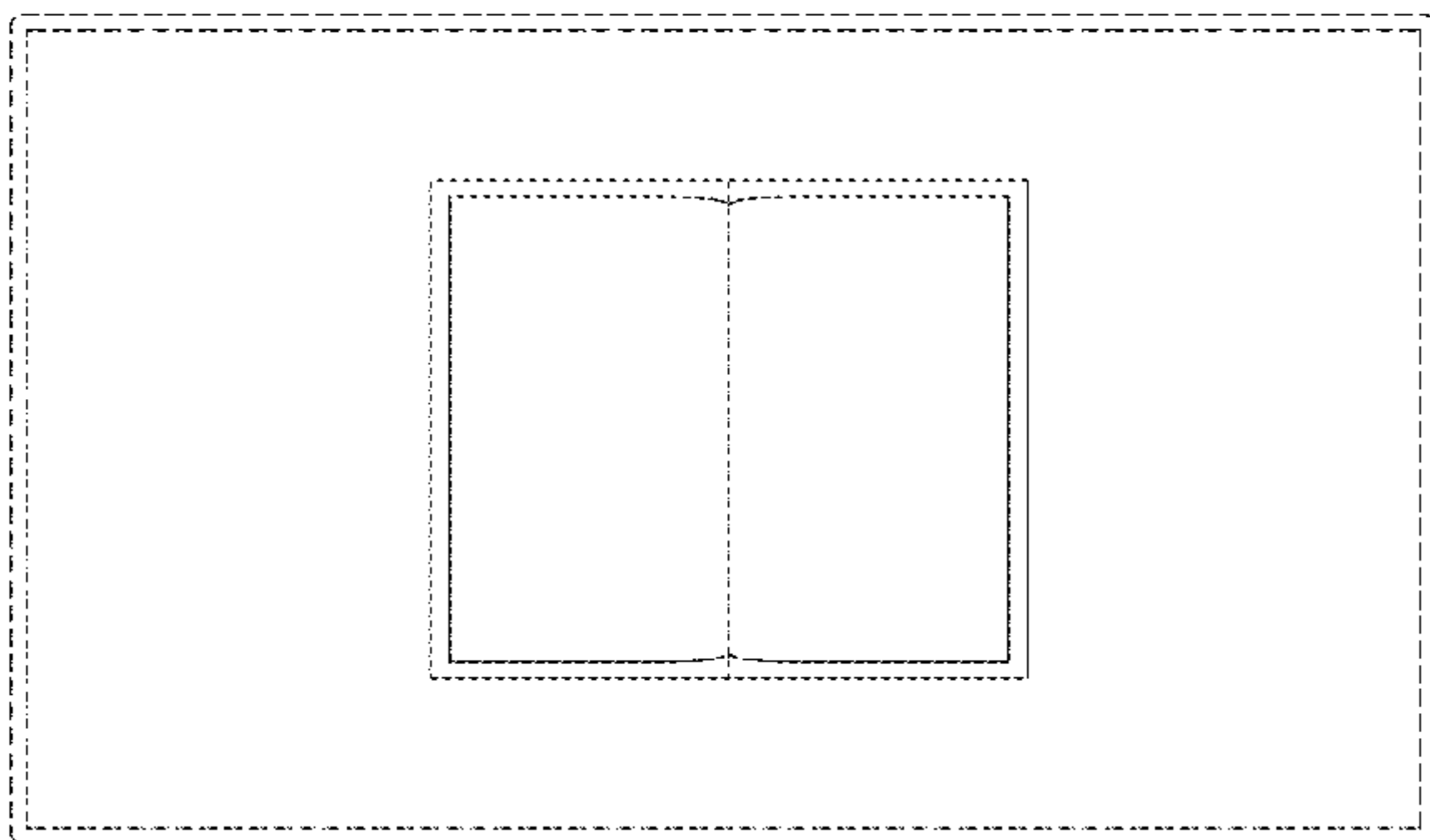
FIG. 9 is a front view showing the ninth image thereof; and,

FIG. 10 is a front view showing the tenth image thereof.

The outermost broken lines illustrating portions of a display screen or portion thereof form no part of the claimed design.

The appearance of the transitional image sequentially transitions between the images shown in FIGS. 1-10. The process or period in which one image transitions to another image forms no part of the claimed design.

1 Claim, 10 Drawing Sheets



(58) **Field of Classification Search**
 CPC .. G06F 3/04845; G06F 3/0486; G07F 17/32;
 G07F 17/3244
 See application file for complete search history.

(56) **References Cited**

U.S. PATENT DOCUMENTS

D669,906 S * 10/2012 Cranfill G06F 3/04883
 D14/485
 D693,842 S * 11/2013 Tsuda D14/489
 D706,810 S * 6/2014 Jones D14/488
 D727,924 S * 4/2015 Yu G06F 3/04817
 D14/485
 D729,818 S * 5/2015 Bae D14/485
 D732,551 S * 6/2015 Lee G06F 3/04817
 D14/485
 D733,163 S * 6/2015 Lee G06F 3/04817
 D14/485
 D735,216 S * 7/2015 Lee G06F 3/04817
 D14/485
 D735,734 S * 8/2015 Lee D14/485
 D736,220 S * 8/2015 Lee G06F 3/04817
 D14/485
 D736,221 S * 8/2015 Lee D14/485
 D736,781 S * 8/2015 Lee D14/485

D736,782 S * 8/2015 Lee G06F 3/04817
 D14/485
 D737,280 S * 8/2015 Lee G06F 3/04817
 D14/485
 D750,641 S * 3/2016 Yu D14/485
 D758,385 S * 6/2016 Dong D14/485
 D762,208 S 7/2016 Akana et al.
 D775,158 S * 12/2016 Dong D14/485
 D787,523 S * 5/2017 Jones D14/485
 D787,524 S * 5/2017 Jones D14/485
 D789,378 S * 6/2017 Gottlieb D14/485
 D793,404 S * 8/2017 Inose D14/485
 D809,547 S * 2/2018 Wilde D14/486
 D823,299 S * 7/2018 Akana D14/341
 2013/0249940 A1* 9/2013 Nakada G09G 5/14
 345/629
 2013/0321340 A1* 12/2013 Seo G06F 1/1641
 345/174
 2014/0046809 A1* 2/2014 Baker G06F 3/0482
 705/27.1

FOREIGN PATENT DOCUMENTS

KR 300647893 S 6/2012
 KR 300668900 S 11/2012

* cited by examiner

FIG. 1

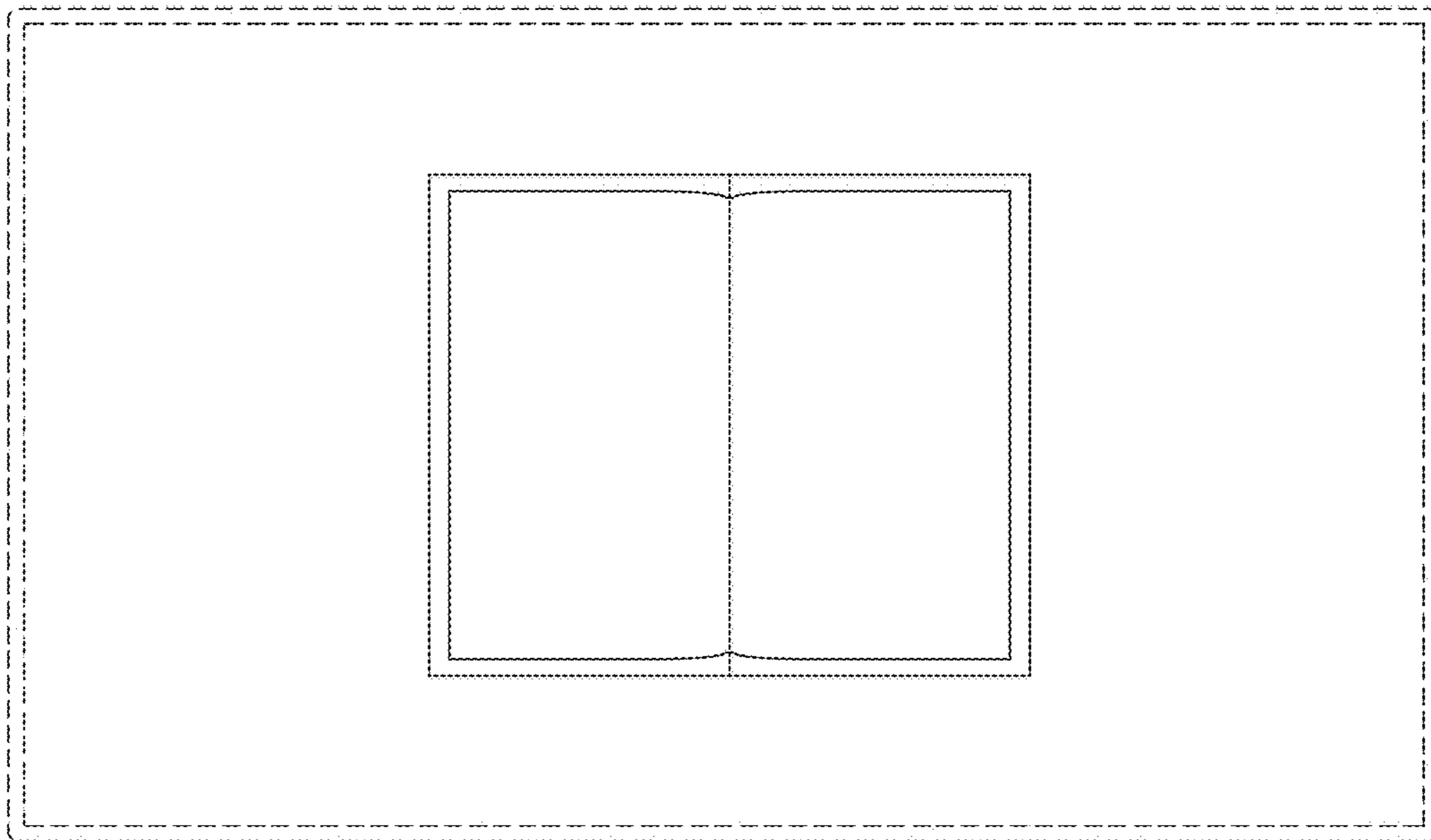


FIG. 2

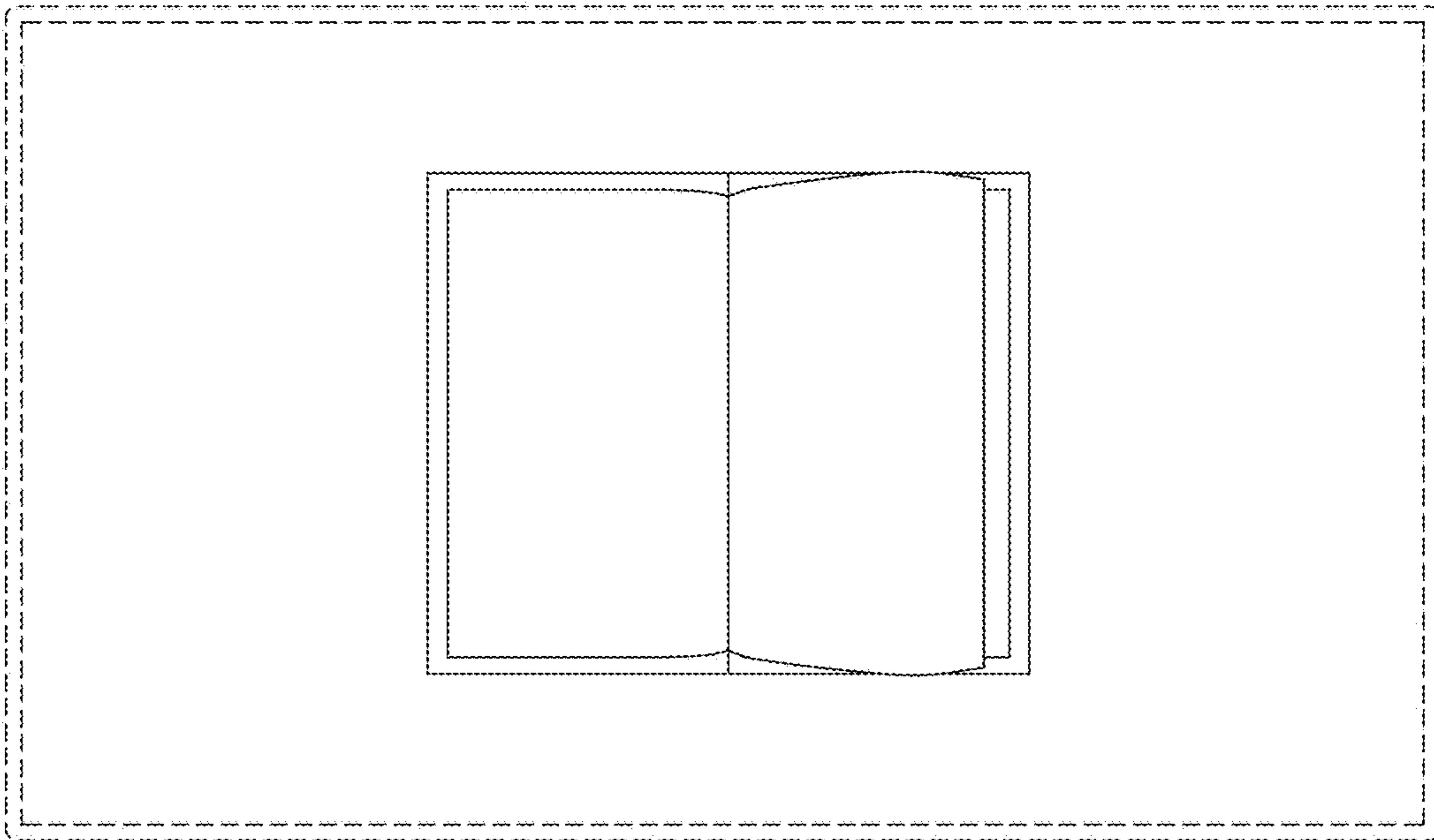


FIG. 3

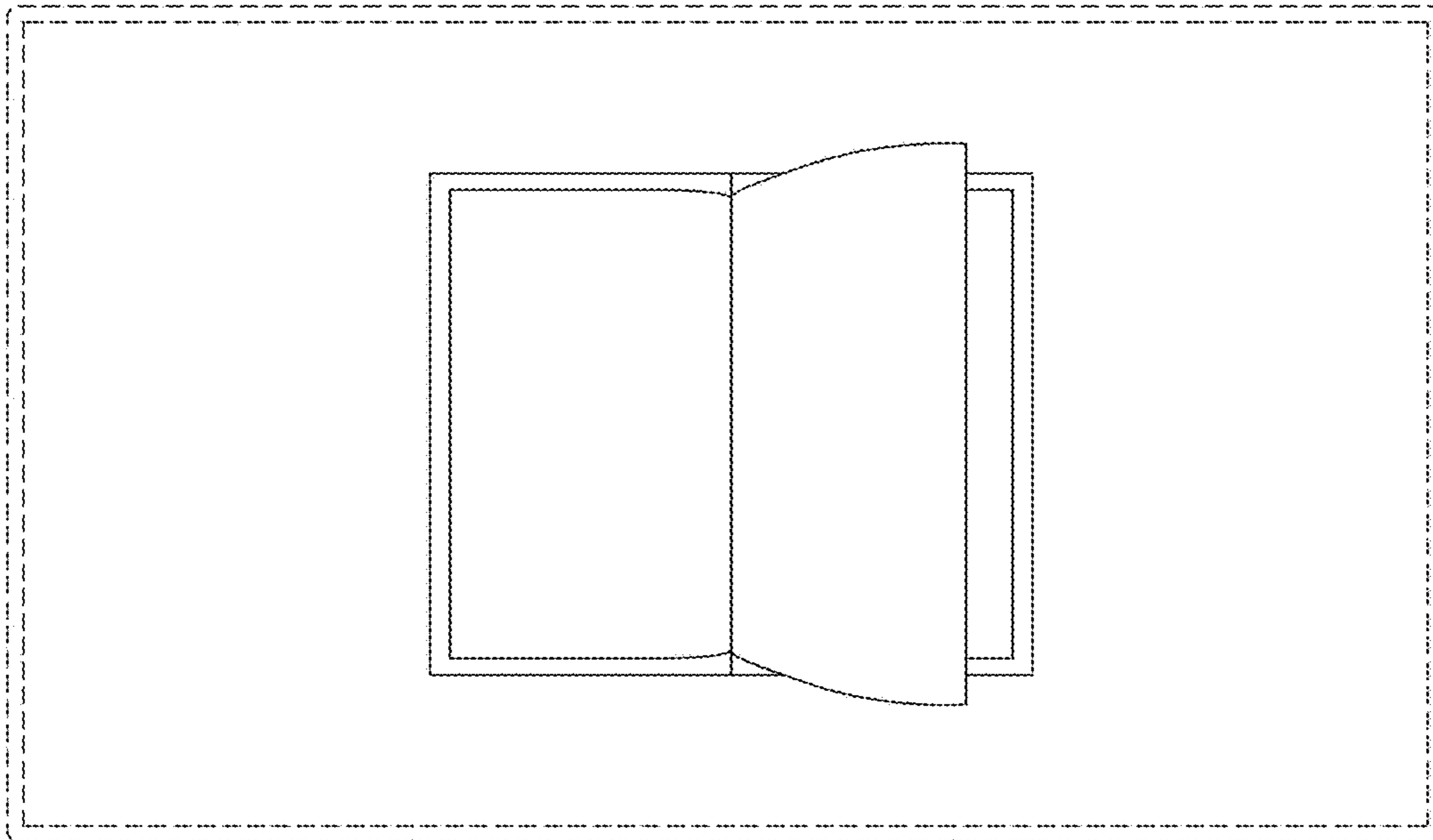


FIG. 4

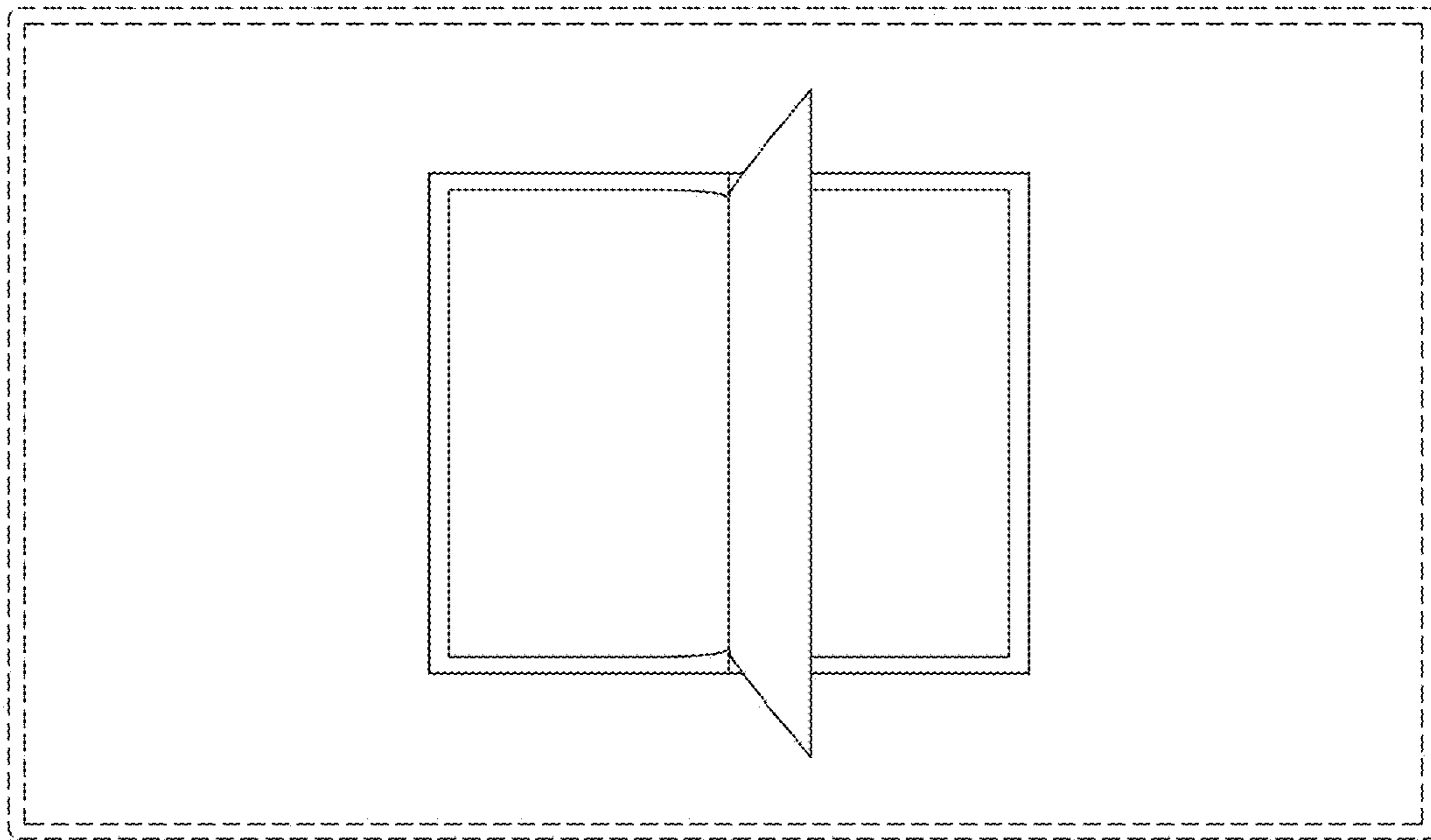


FIG. 5

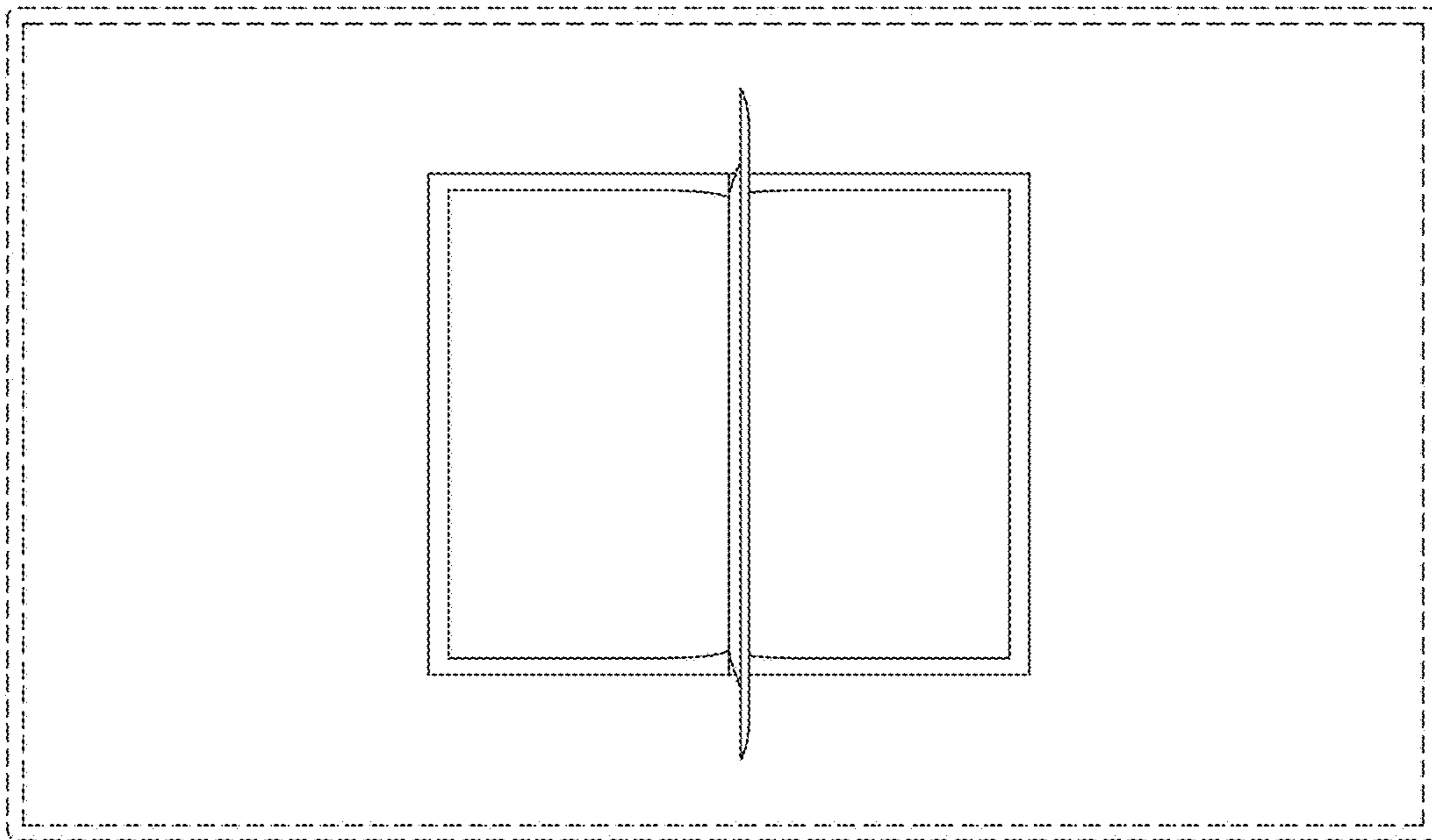


FIG. 6

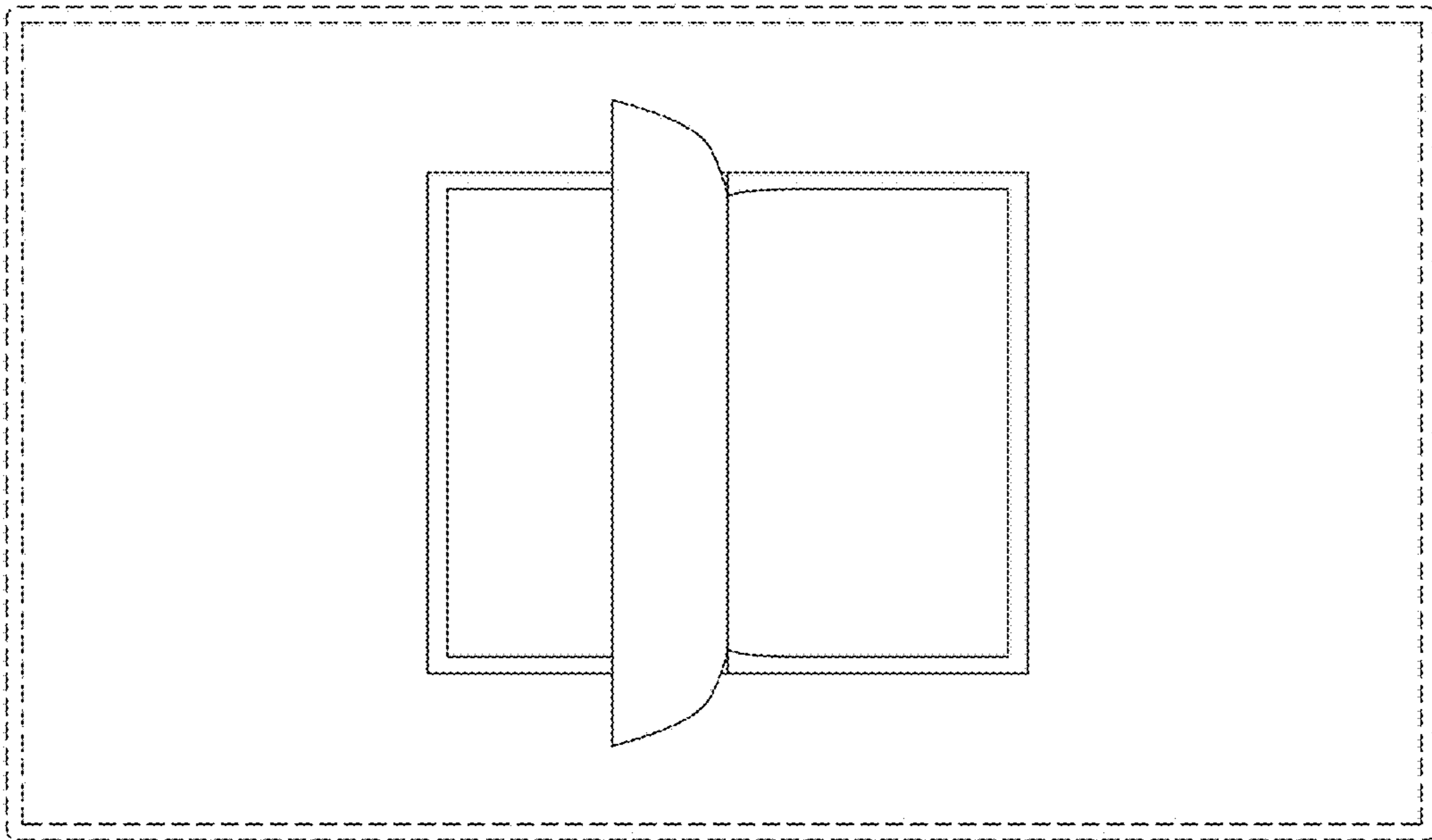


FIG. 7

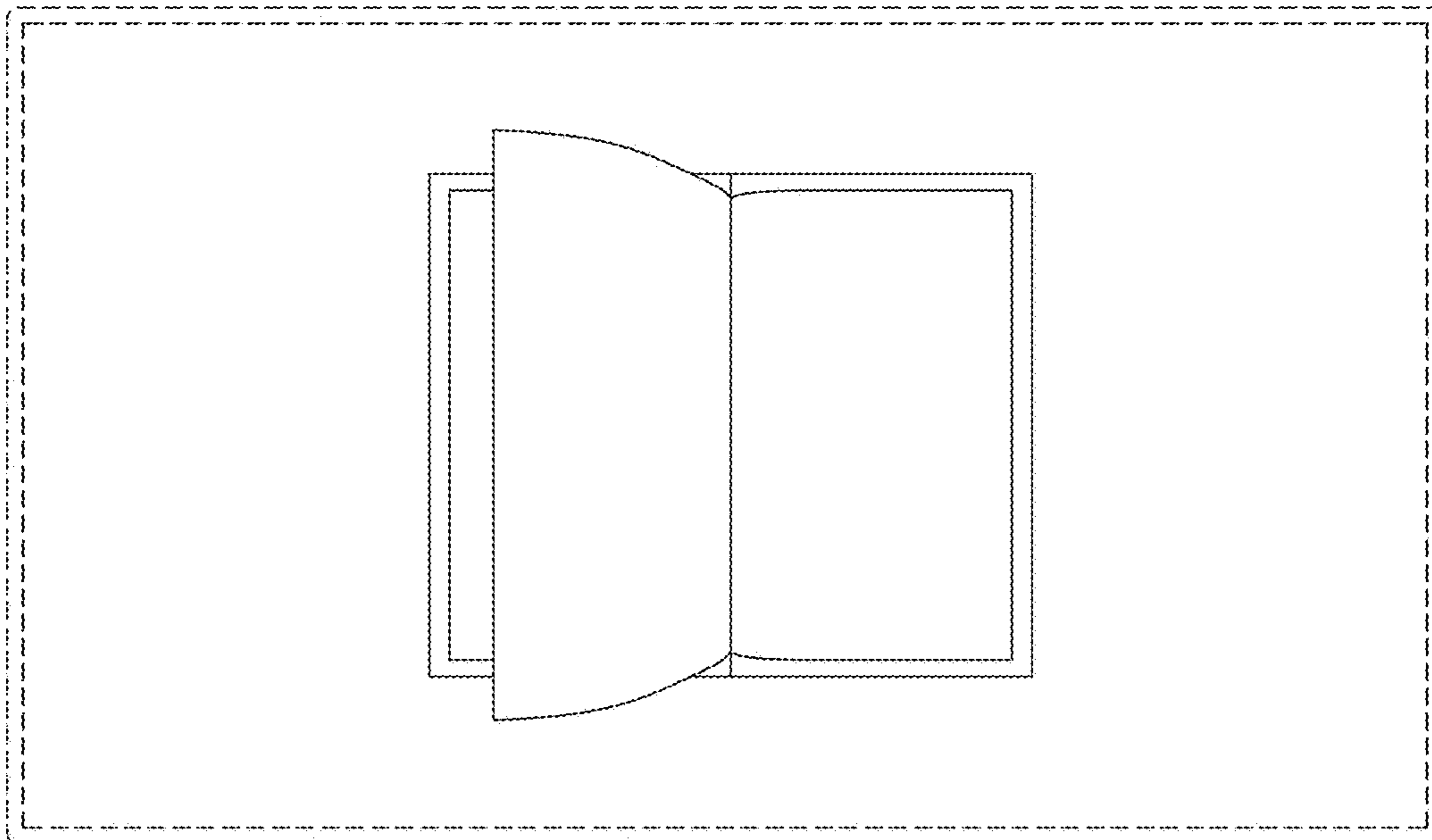


FIG. 8

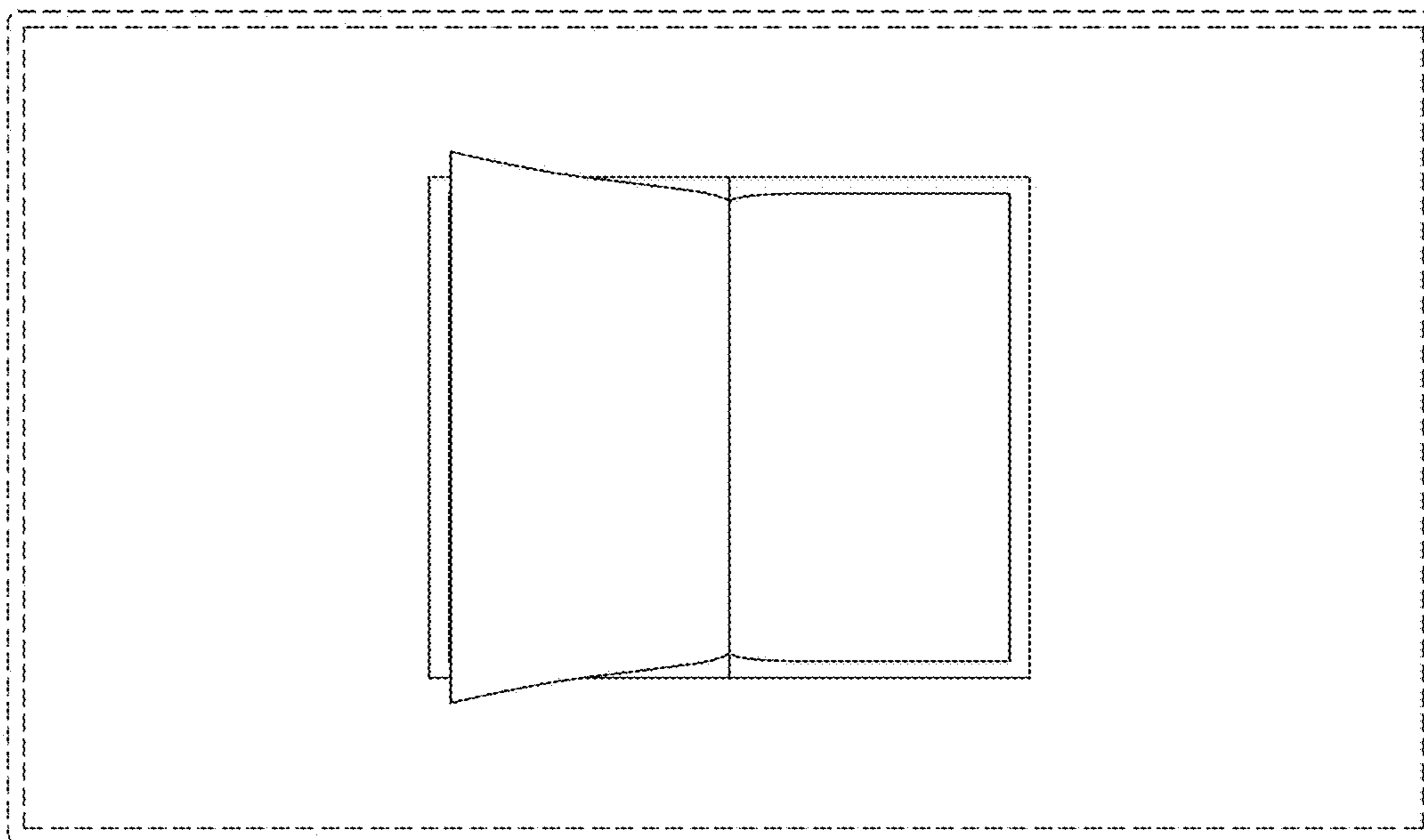


FIG. 9

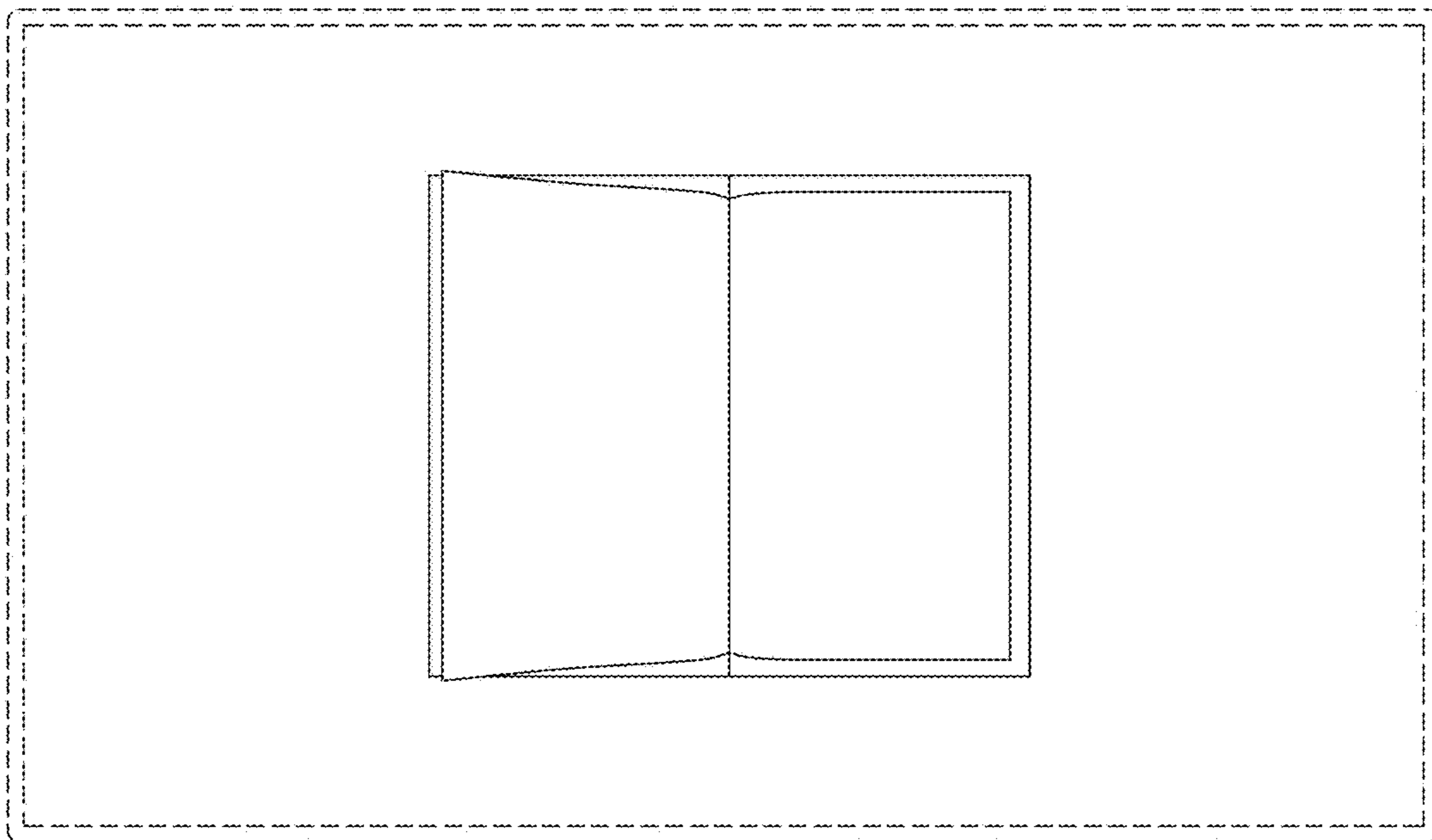


FIG. 10

