



US00D857708S

(12) **United States Design Patent**  
**Brooks**

(10) **Patent No.:** **US D857,708 S**

(45) **Date of Patent:** **\*\* Aug. 27, 2019**

(54) **DISPLAY SCREEN WITH TRANSITIONAL GRAPHICAL USER INTERFACE FOR SPRAYER PRODUCT AND RINSE CONTROL**

D763,921 S \* 8/2016 Dharwada ..... D14/489  
D766,315 S \* 9/2016 Choi ..... D14/488  
D771,123 S \* 11/2016 Anzures ..... D14/489

(Continued)

(71) Applicant: **CNH Industrial America LLC**, New Holland, PA (US)

(72) Inventor: **Nathan P. Brooks**, Manitowoc, WI (US)

(73) Assignee: **CNH Industrial America LLC**, New Holland, PA (US)

(\*\*) Term: **15 Years**

(21) Appl. No.: **29/627,062**

(22) Filed: **Nov. 22, 2017**

(51) **LOC (12) Cl.** ..... **14-04**

(52) **U.S. Cl.**  
USPC ..... **D14/485**; D14/488

(58) **Field of Classification Search**  
USPC ..... D14/485-495; D20/11; D21/324, 325  
CPC .... G06F 3/048; G06F 3/0481; G06F 3/04817; G06F 3/0482; G06F 3/0483; G06F 3/04842; G06F 3/0485; G06F 3/04855; G06F 3/0486; G06F 3/0488; G06F 3/04886; G06F 9/4443; G06F 17/211; G06F 17/212; H04L 12/1813; H04L 41/0253; H04L 67/327; A01M 7/0092; G01C 21/3614; A01C 21/005

See application file for complete search history.

(56) **References Cited**

**U.S. PATENT DOCUMENTS**

D562,285 S \* 2/2008 Lim ..... D14/138 G  
D597,101 S \* 7/2009 Chaudhri ..... D14/488  
D725,134 S \* 3/2015 Boettcher ..... D14/486  
9,250,092 B2 \* 2/2016 Blumenberg ..... G01C 21/3614  
D754,165 S \* 4/2016 Park ..... D14/486  
D763,286 S \* 8/2016 Bradbury ..... D14/486

**OTHER PUBLICATIONS**

“Miller Nitro 7310” Mar. 21, 2018, posted at mcintoshandson.com, [site visited Mar. 7, 2019]. <https://web.archive.org/web/20180321143426/https://www.mcintoshandson.com.au/images/products/farmingagriculture/sprayers/miller/miller-nitro-7310.pdf>.\*

(Continued)

*Primary Examiner* — Jack Reickel  
*Assistant Examiner* — John M Otte

(74) *Attorney, Agent, or Firm* — Rebecca L. Henkel; Rickard K. DeMille

(57) **CLAIM**

The ornamental appearance for a display screen with transitional graphical user interface for sprayer product and rinse control, as shown and described.

**DESCRIPTION**

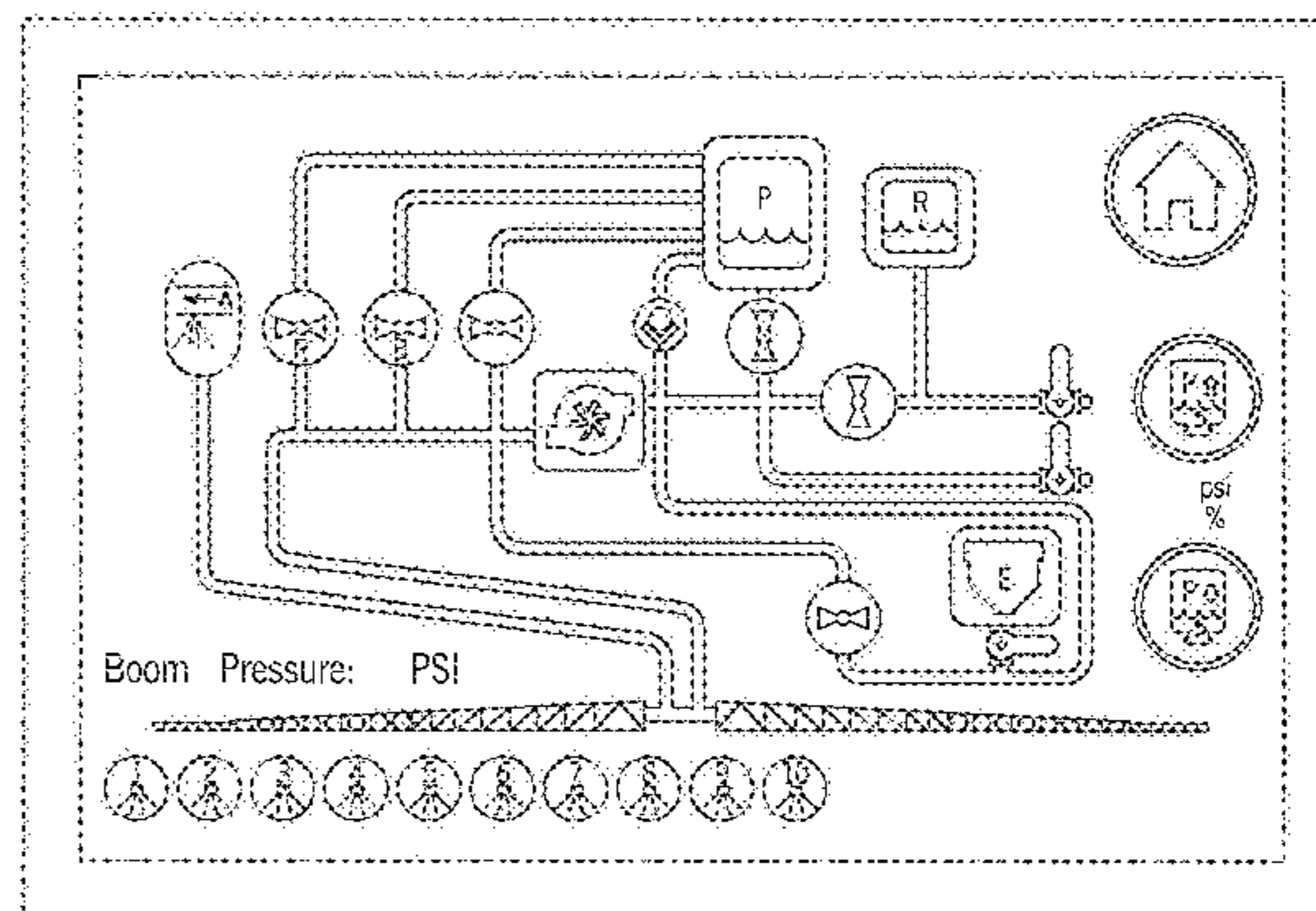
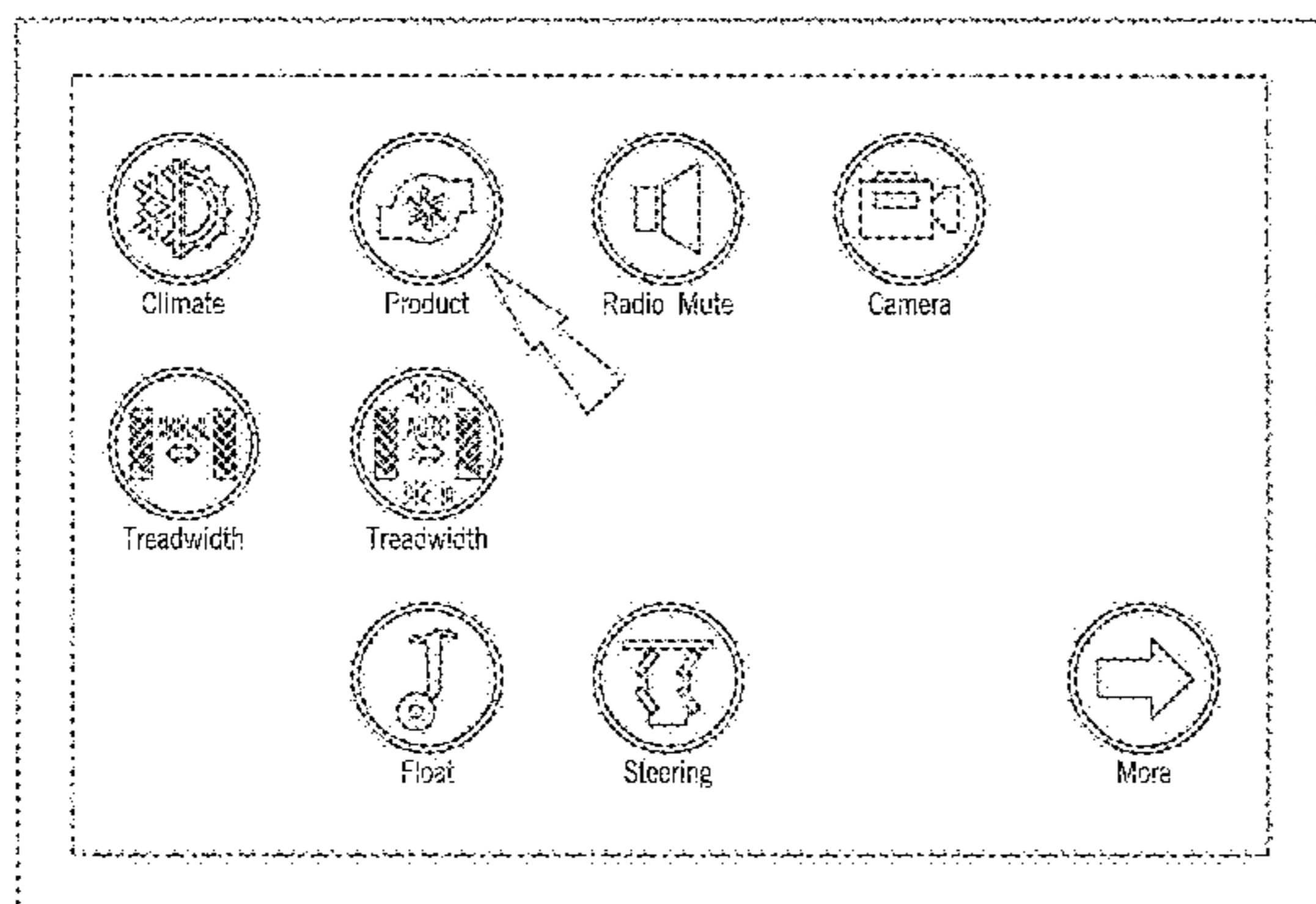
FIG. 1 is a front view of a first image in a sequence of a display screen with a transitional graphical user interface for sprayer product and rinse control in accordance with the present invention; and,

FIG. 2 is a front view of a second image thereof.

The outmost evenly-spaced broken line is included for the purpose of showing portions of the article which form no part of the claim. The dot-dash broken line is included for the purpose of showing portions of the display screen which form no part of the claim. The evenly-spaced broken line showing of an arrow in FIG. 1 is included for the purpose of showing portions of the graphical user interface which form no part of the claim.

The subject matter in this patent includes a process or period in which an image changes into another image. This process or period forms no part of the claimed design.

**1 Claim, 2 Drawing Sheets**



(56)

**References Cited**

U.S. PATENT DOCUMENTS

D789,417 S \* 6/2017 Yamasaki ..... D14/491  
 D793,415 S \* 8/2017 Kim ..... D14/486  
 D807,391 S \* 1/2018 Seemakurty ..... D14/488  
 10,033,831 B2 \* 7/2018 Barry ..... H04L 67/327  
 2008/0189658 A1 \* 8/2008 Jeong ..... G06F 3/0482  
 715/810  
 2012/0036552 A1 \* 2/2012 Dare ..... H04L 41/0253  
 726/1  
 2013/0233940 A1 \* 9/2013 Ballu ..... A01M 7/0092  
 239/102.2  
 2013/0326421 A1 \* 12/2013 Jo ..... G06F 3/0482  
 715/841  
 2014/0298253 A1 \* 10/2014 Jin ..... G06F 3/04842  
 715/790  
 2014/0331167 A1 \* 11/2014 Kasterstein ..... G06F 3/04817  
 715/778

2014/0337791 A1 \* 11/2014 Agnetta ..... G06F 3/0481  
 715/784  
 2014/0351744 A1 \* 11/2014 Jeon ..... G06F 3/0482  
 715/781  
 2015/0082243 A1 \* 3/2015 Taylor ..... G06F 3/0482  
 715/814  
 2015/0188720 A1 \* 7/2015 Winter ..... H04L 12/1813  
 715/753  
 2017/0295719 A1 \* 10/2017 Jugovich ..... A01C 21/005  
 2018/0348985 A1 \* 12/2018 Shelby ..... G01C 21/3638

OTHER PUBLICATIONS

“ISOBUS upgrade on KUHN sprayer range” Jul. 11, 2016, posted at [cpm-nmagazine.co.uk](http://www.cpm-nmagazine.co.uk), [site visited Mar. 25, 2019]. <http://www.cpm-magazine.co.uk/2016/07/11/isobus-upgrade-on-kuhn-sprayer-range>.\*

\* cited by examiner

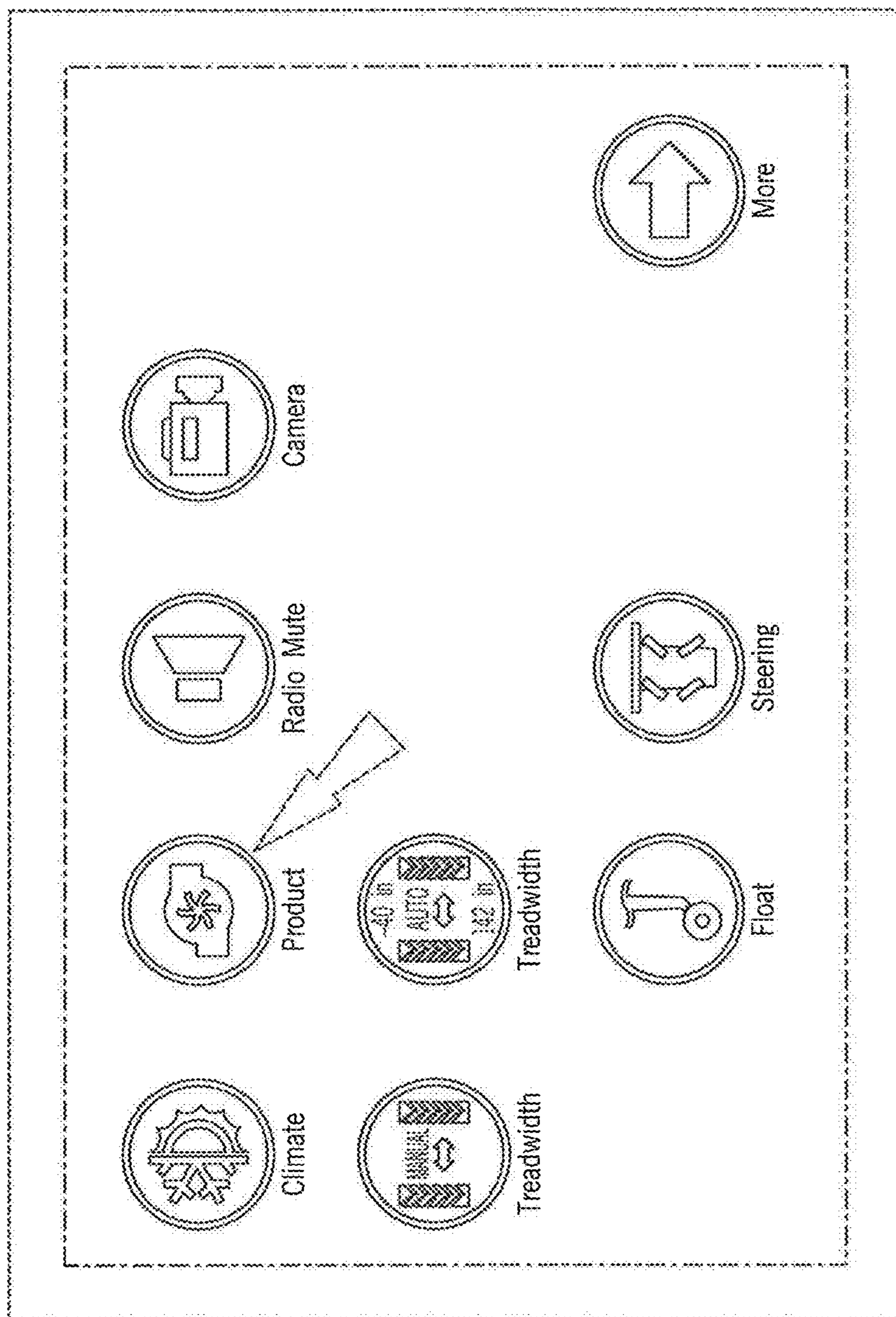


FIG. 1



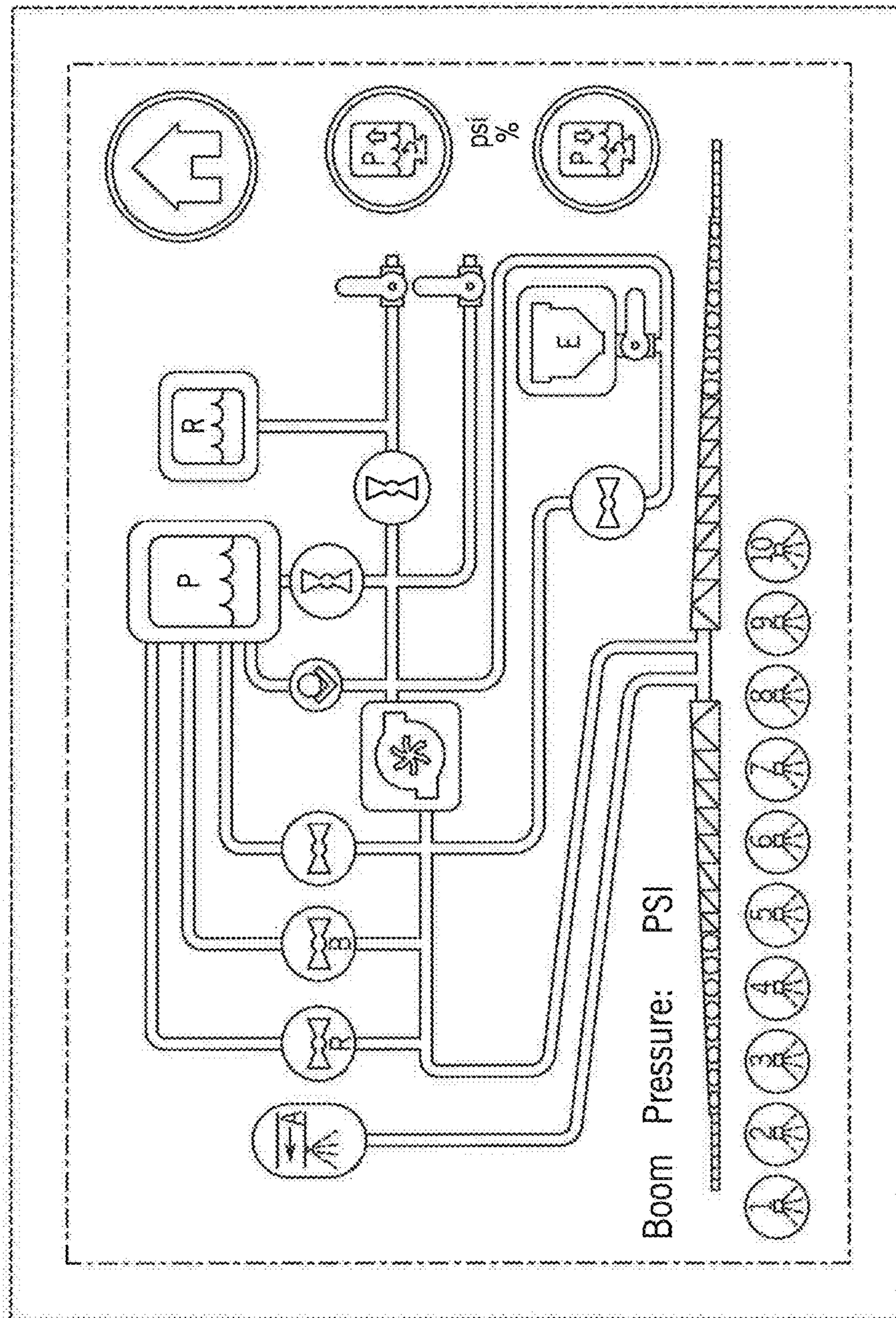


FIG. 2