



US00D857704S

(12) **United States Design Patent** (10) **Patent No.:** **US D857,704 S**  
**Verschoor et al.** (45) **Date of Patent:** **\*\* Aug. 27, 2019**

(54) **TABLE CLAMP WITH LATCH AND DISPOSABLE DOCKING TOP**

(71) Applicant: **KONINKLIJKE PHILIPS N.V.**,  
Eindhoven (NL)  
(72) Inventors: **Volker Barnhart Verschoor**,  
Eindhoven (NL); **Adrianus Johannes Josephus Van Der Horst**, Vught (NL);  
**Andrew David Mitchell**, Eindhoven (NL)  
(73) Assignee: **KONINKLIJKE PHILIPS N.V.**,  
Eindhoven (NL)  
(\*\*) Term: **15 Years**  
(21) Appl. No.: **35/504,452**  
(22) Filed: **Aug. 14, 2017**  
(80) **Hague Agreement Data**  
Int. Filing Date: **Aug. 14, 2017**  
Int. Reg. No.: **DM/098366**  
Int. Reg. Date: **Aug. 14, 2017**  
Int. Reg. Pub. Date: **Feb. 16, 2018**

(30) **Foreign Application Priority Data**

Mar. 9, 2017 (EM) ..... 003790286-0002  
Mar. 9, 2017 (EM) ..... 003790286-0003  
Mar. 20, 2017 (EM) ..... 003790286-0001

(51) **LOC (12) Cl.** ..... **14-03**  
(52) **U.S. Cl.**  
USPC ..... **D14/447; D24/186**  
(58) **Field of Classification Search**  
USPC ..... **D8/349, 394; D14/447, 451, 457, 251,**  
**D14/253; D24/186**  
CPC .. **F16M 11/041; F16M 13/022; Y10S 224/929**  
See application file for complete search history.

(56) **References Cited**

U.S. PATENT DOCUMENTS

D384,334	S	*	9/1997	Nelson	.....	D13/184
D391,937	S	*	3/1998	Rosen	.....	D14/452
D580,804	S	*	11/2008	Gretton	.....	D10/74
D595,722	S	*	7/2009	Miyawaki	.....	D14/253
D663,726	S	*	7/2012	Gourley	.....	D14/251
D677,309	S	*	3/2013	Asano	.....	D16/243
D684,144	S	*	6/2013	Palance	.....	D14/217
D693,802	S	*	11/2013	Wikel	.....	D14/253
D733,548	S	*	7/2015	Brown	.....	D14/447
D743,244	S	*	11/2015	Anderson	.....	D8/394
D750,088	S	*	2/2016	Reznik	.....	D14/447
D756,523	S	*	5/2016	Tsai	.....	D24/186
D757,705	S	*	5/2016	Esses	.....	D14/251
D765,651	S	*	9/2016	Liu	.....	D14/253
D768,125	S	*	10/2016	Kim	.....	D14/253
D780,743	S	*	3/2017	Chun	.....	D14/253
D785,638	S	*	5/2017	Hsu	.....	D14/447
D789,348	S	*	6/2017	Kim	.....	D14/250
D808,005	S	*	1/2018	Peretz	.....	D24/108
D822,379	S	*	7/2018	Li	.....	D3/218
D824,379	S	*	7/2018	Symons	.....	D14/253
D829,703	S	*	10/2018	Balmer	.....	D14/251

(Continued)

Primary Examiner — Deanna L Pratt

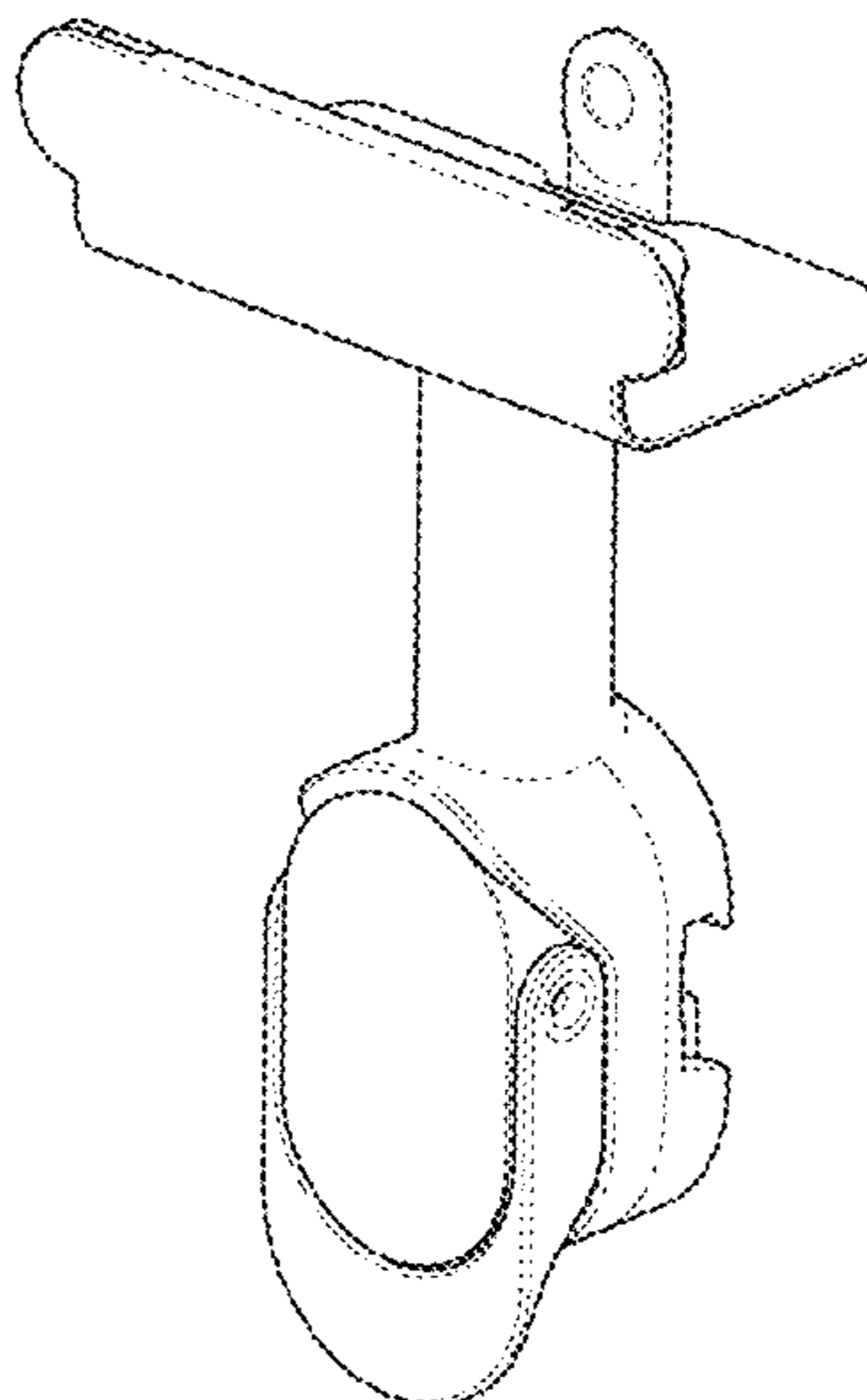
(57) **CLAIM**

The ornamental design for a table clamp with latch and disposable docking top, as shown and described.

**DESCRIPTION**

- 1. Table clamp with latch and disposable docking top
- 1.1 is a perspective view.
- 1.2 is a front view.
- 1.3 is a back view.
- 1.4 is a side view.
- 1.5 is another side view.
- 1.6 is a top view.
- 1.7 is a bottom view.

**1 Claim, 7 Drawing Sheets**



(56)

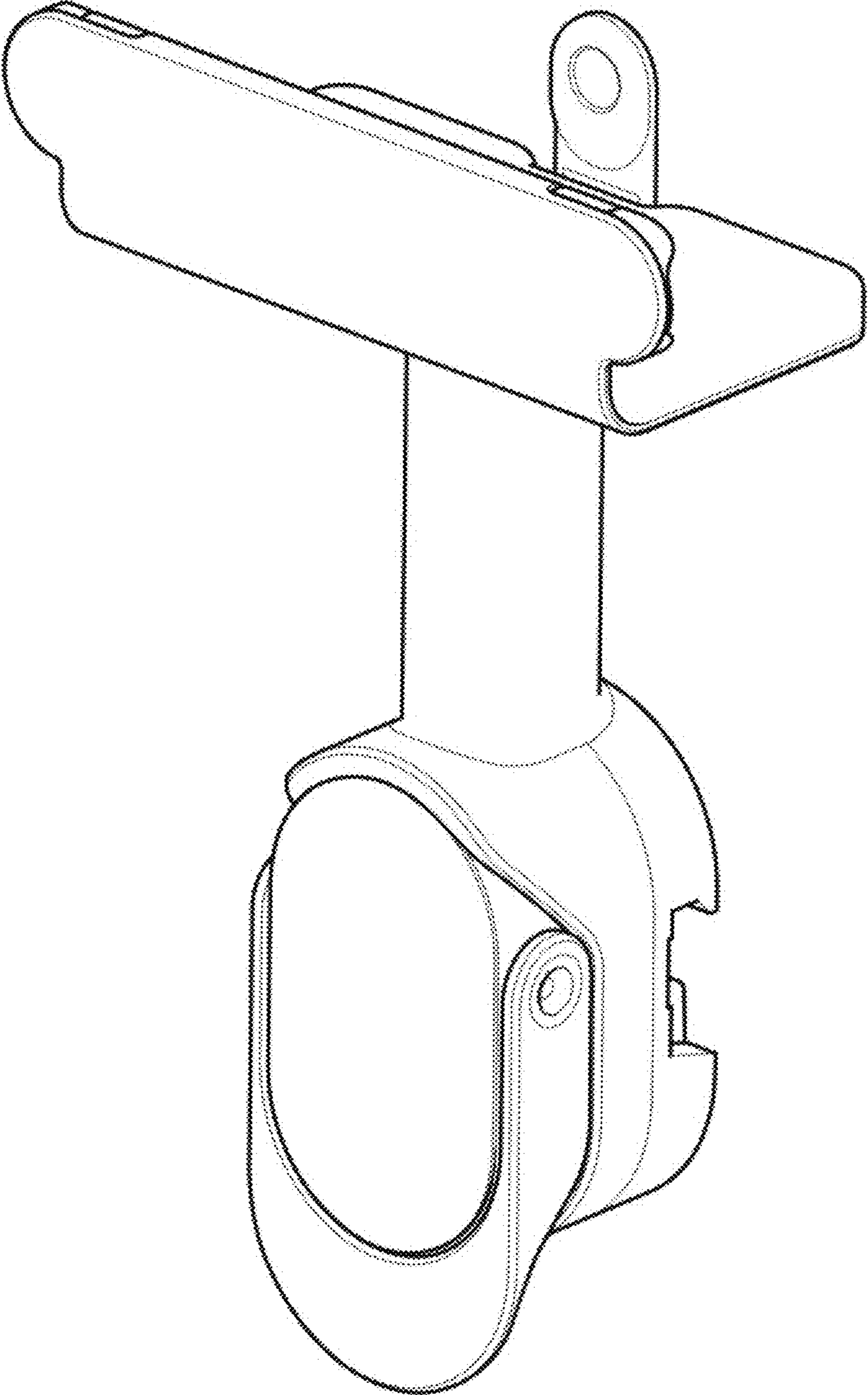
**References Cited**

U.S. PATENT DOCUMENTS

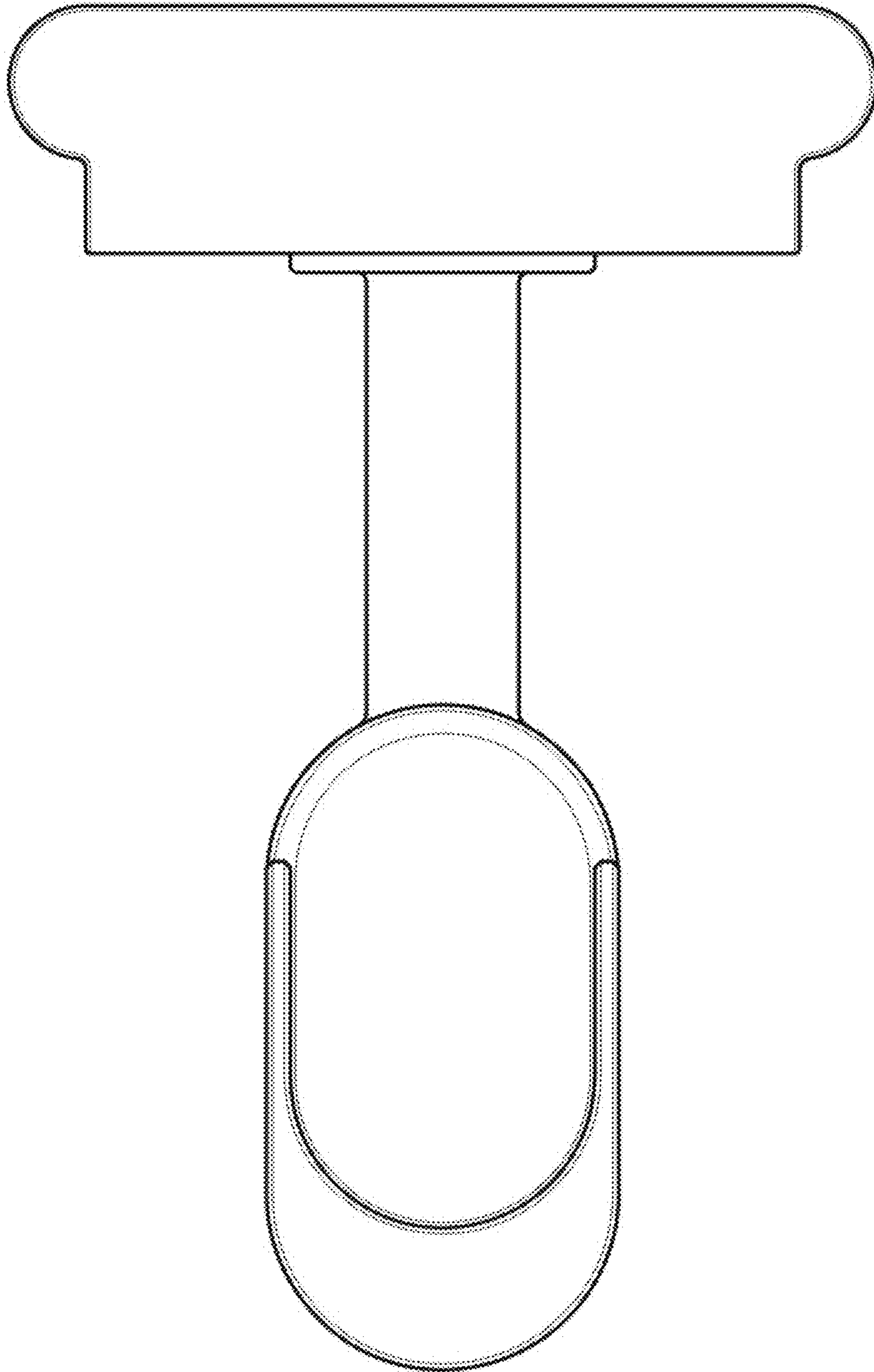
D831,665	S	*	10/2018	Yao	.....	D14/447
D834,583	S	*	11/2018	Janzen	.....	D14/447
D838,267	S	*	1/2019	Zhang	.....	D14/253
D840,994	S	*	2/2019	Balmer	.....	D14/253
D840,995	S	*	2/2019	Balmer	.....	D14/253
2017/0072872	A1	*	3/2017	Balmer	.....	F16M 13/022
2018/0043840	A1	*	2/2018	Minn	.....	B60R 11/02

\* cited by examiner

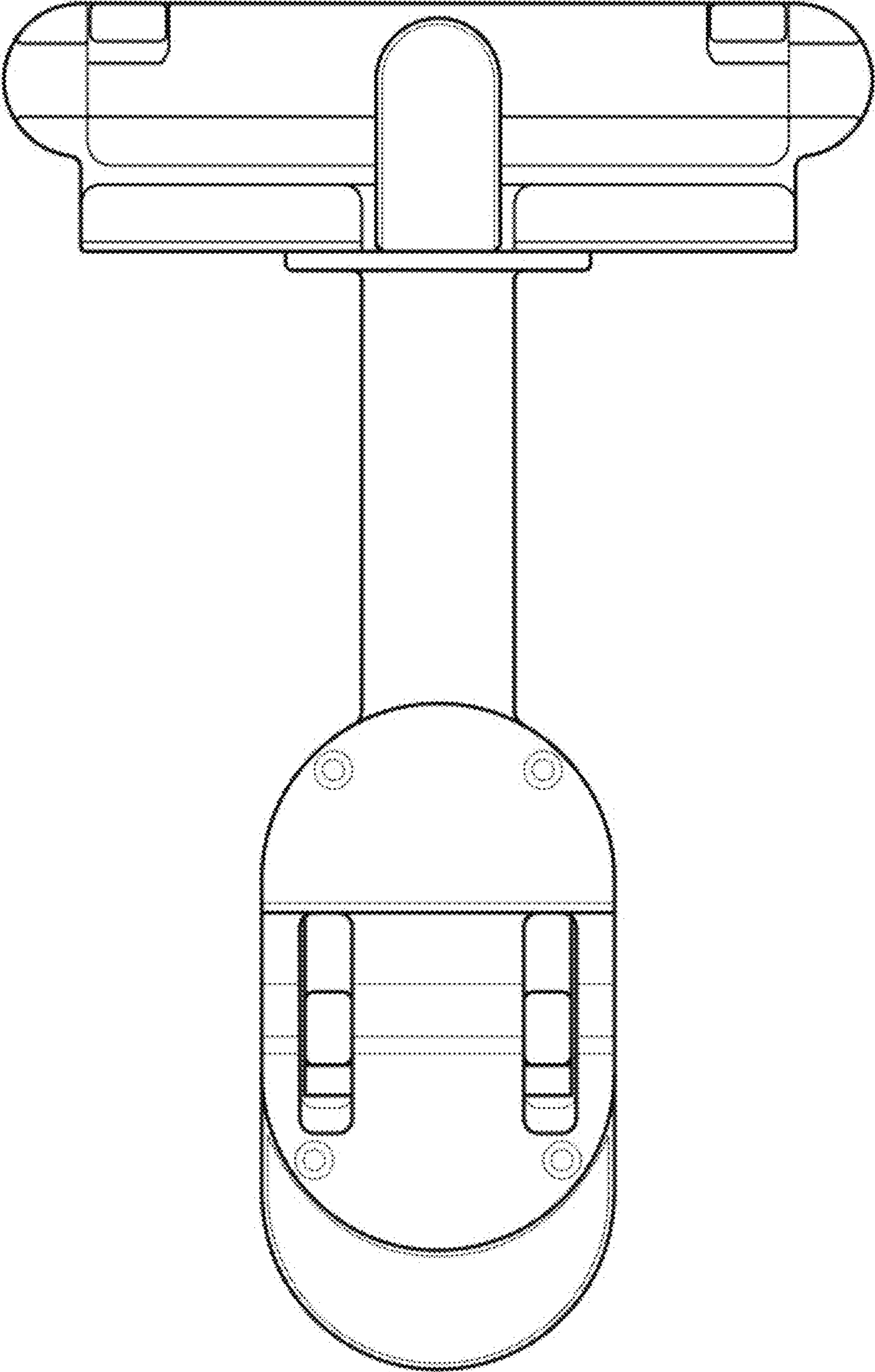
1.1



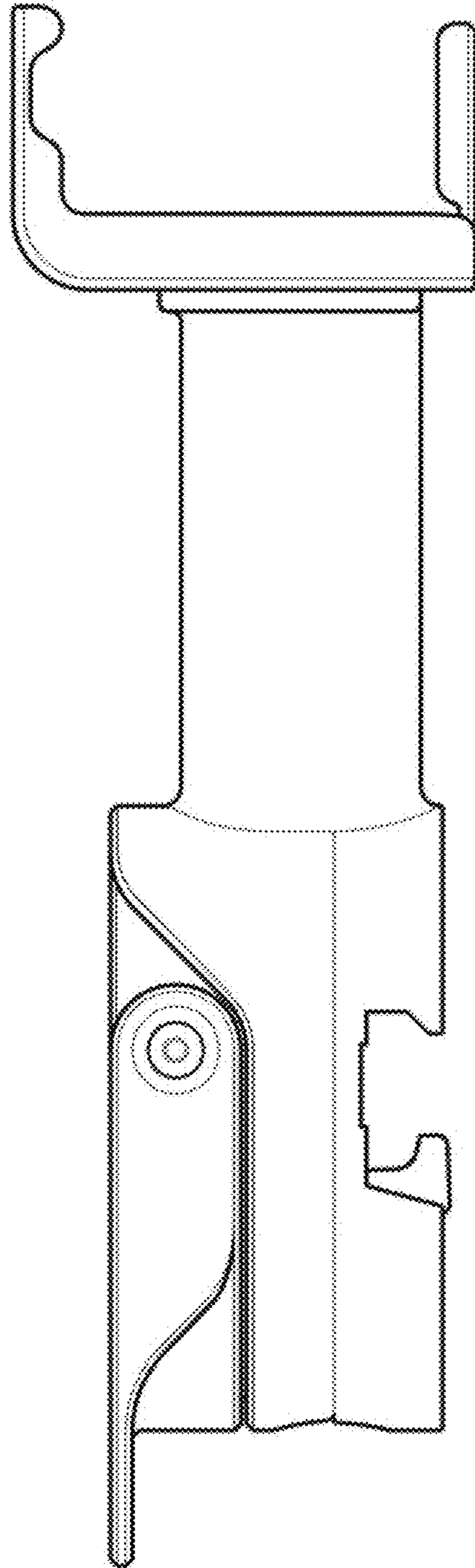
1.2



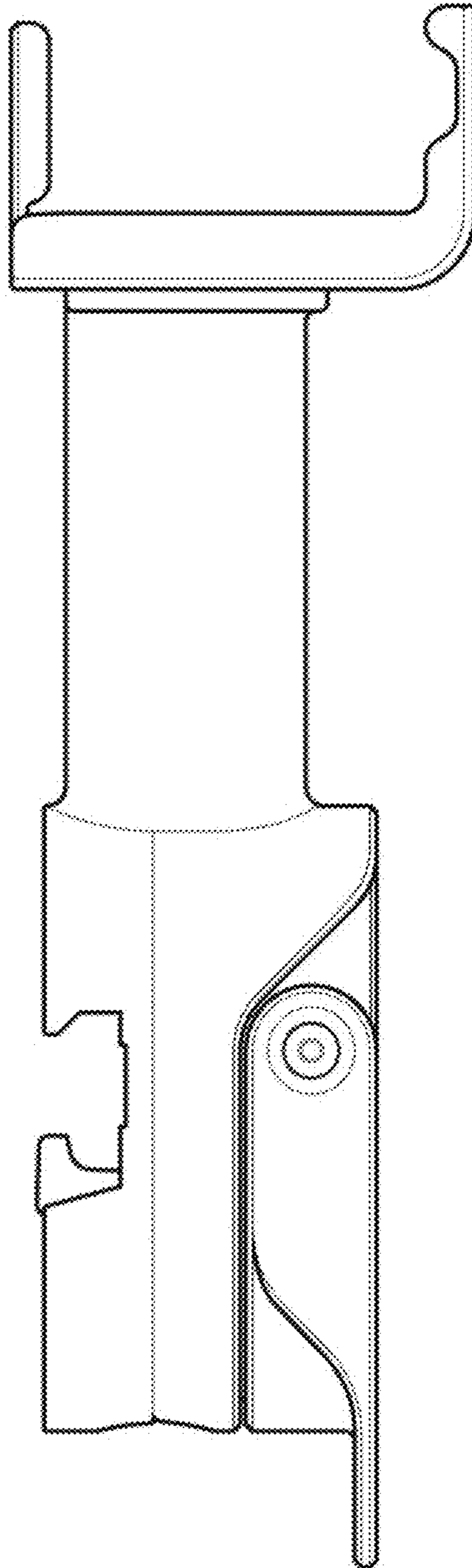
1.3



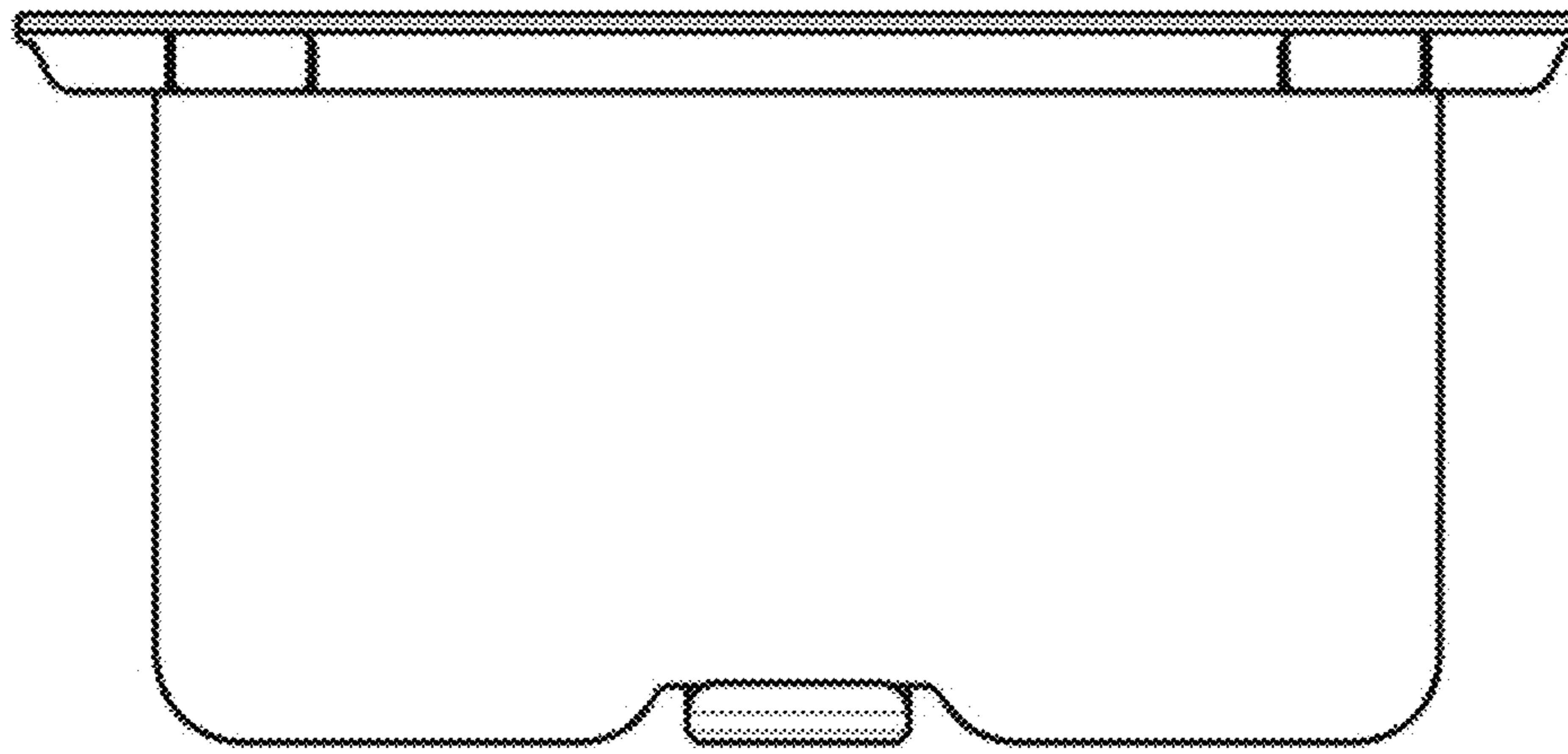
1.4



1.5



1.6





1.7

