



US00D857698S

(12) **United States Design Patent** (10) **Patent No.:** **US D857,698 S**  
**Hu** (45) **Date of Patent:** **\*\* Aug. 27, 2019**

(54) **LAPTOP AND TABLET COMPUTER STAND**

(71) Applicant: **Yajun Hu**, El Dorado Hills, CA (US)

(72) Inventor: **Yajun Hu**, El Dorado Hills, CA (US)

(73) Assignees: **Yajun Hu**, El Dorado Hills, CA (US);  
**EUREKA LLC.**, El Dorado Hills, CA (US)

(\*\*) Term: **15 Years**

(21) Appl. No.: **29/611,798**

(22) Filed: **Jul. 25, 2017**

(51) **LOC (12) Cl.** ..... **08-07**

(52) **U.S. Cl.**  
USPC ..... **D14/447**

(58) **Field of Classification Search**  
USPC ..... D14/447, 432, 434, 439, 440, 451, 452,  
D14/457, 239; D8/363, 373, 380;  
D6/406.3, 406.4, 406.5, 406.6; D12/415;  
D21/330, 331  
CPC ..... A47B 21/04; A47B 2097/006; A47B  
2097/005; A47B 2023/049; A45C  
2011/002; A45C 2011/003; F16M  
2200/00; F16M 13/00

See application file for complete search history.

(56) **References Cited**

**U.S. PATENT DOCUMENTS**

D478,225 S	8/2003	Wang	
D494,977 S *	8/2004	Persson	..... D14/447
D499,273 S	12/2004	Chang	
D499,576 S	12/2004	Long	
D526,812 S	8/2006	Chen	

D547,970 S	8/2007	Chou	
D549,009 S	8/2007	Lin	
D554,647 S *	11/2007	Chan	..... D14/447
D557,267 S *	12/2007	Beilstein	..... D14/447
D574,005 S *	7/2008	Chung	..... D14/447
D576,168 S *	9/2008	Ostroff	..... D14/447
D577,361 S *	9/2008	Beilstein	..... D14/447
D579,455 S *	10/2008	Chu	..... D14/447
D583,587 S	12/2008	Lai	
D586,150 S	2/2009	Lai	
D586,588 S	2/2009	Lai	
D618,017 S	6/2010	Sexton	
D618,691 S *	6/2010	Seo	..... D14/447
RE42,054 E *	1/2011	Park	..... D14/447
D635,797 S	4/2011	Xingyin	
D637,600 S *	5/2011	Leyva-Menendez	..... D14/447
D692,438 S *	10/2013	Chang	..... D14/447
D695,748 S *	12/2013	Morris	..... D14/447
D712,175 S *	9/2014	Choi	..... D6/406.6

\* cited by examiner

*Primary Examiner* — Angela J Lee

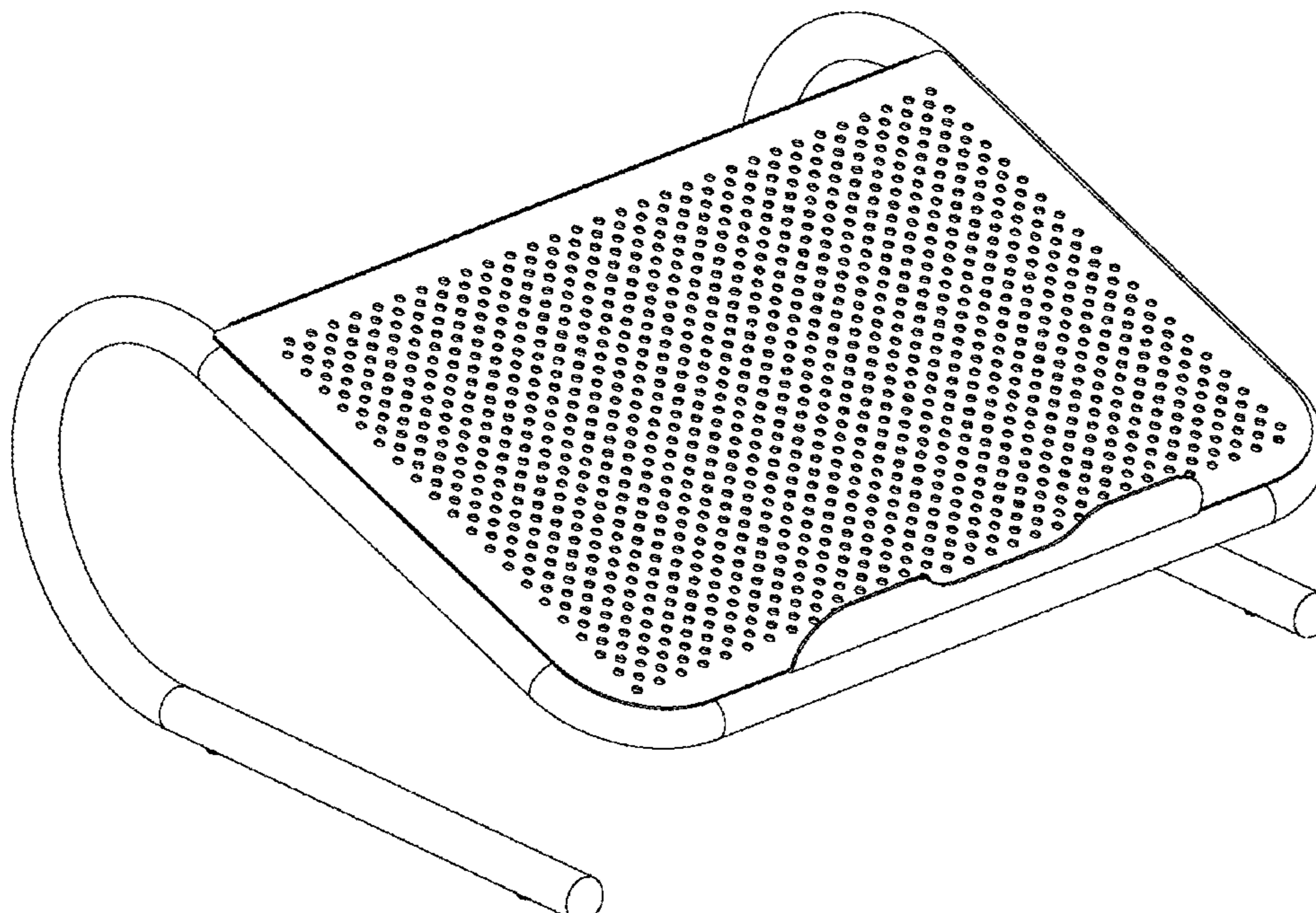
(57) **CLAIM**

The ornamental design for a laptop and tablet computer stand, as shown and described.

**DESCRIPTION**

FIG. 1 is a perspective view of the laptop and tablet computer stand;  
FIG. 2 is a front view thereof;  
FIG. 3 is a bottom view thereof;  
FIG. 4 is a top view thereof;  
FIG. 5 is a rear side view thereof;  
FIG. 6 is a left side view thereof; and,  
FIG. 7 is a right side view thereof.

**1 Claim, 7 Drawing Sheets**



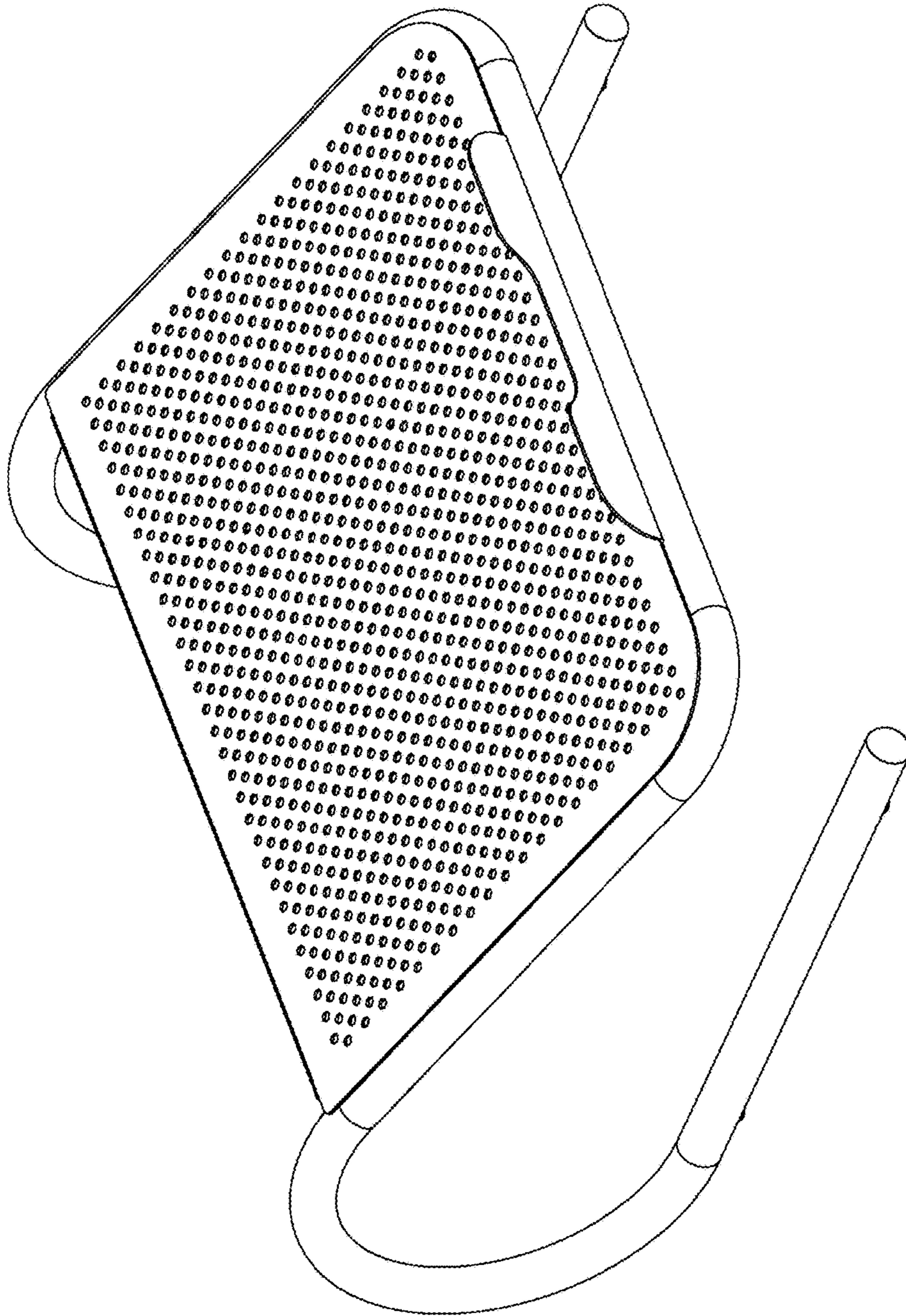


FIG. 1

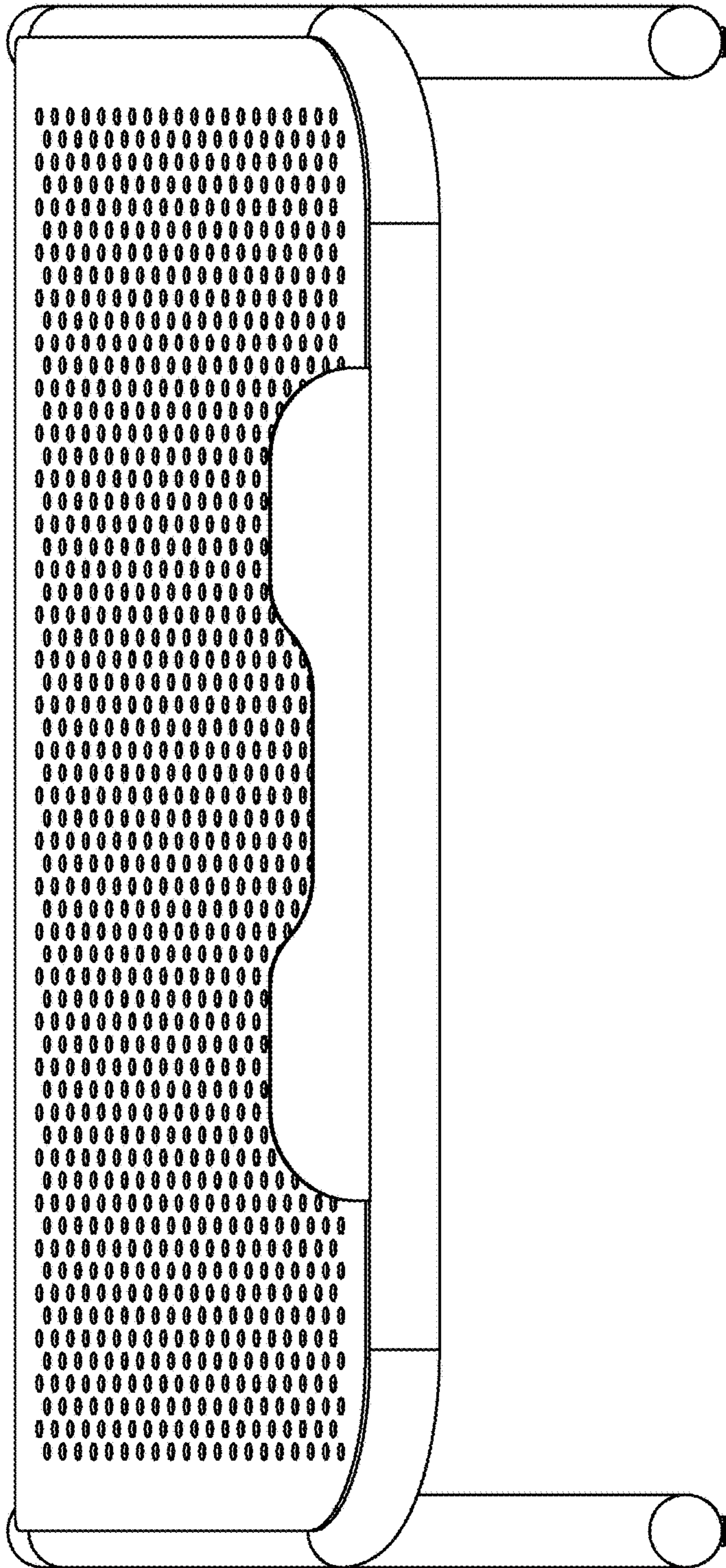


FIG. 2

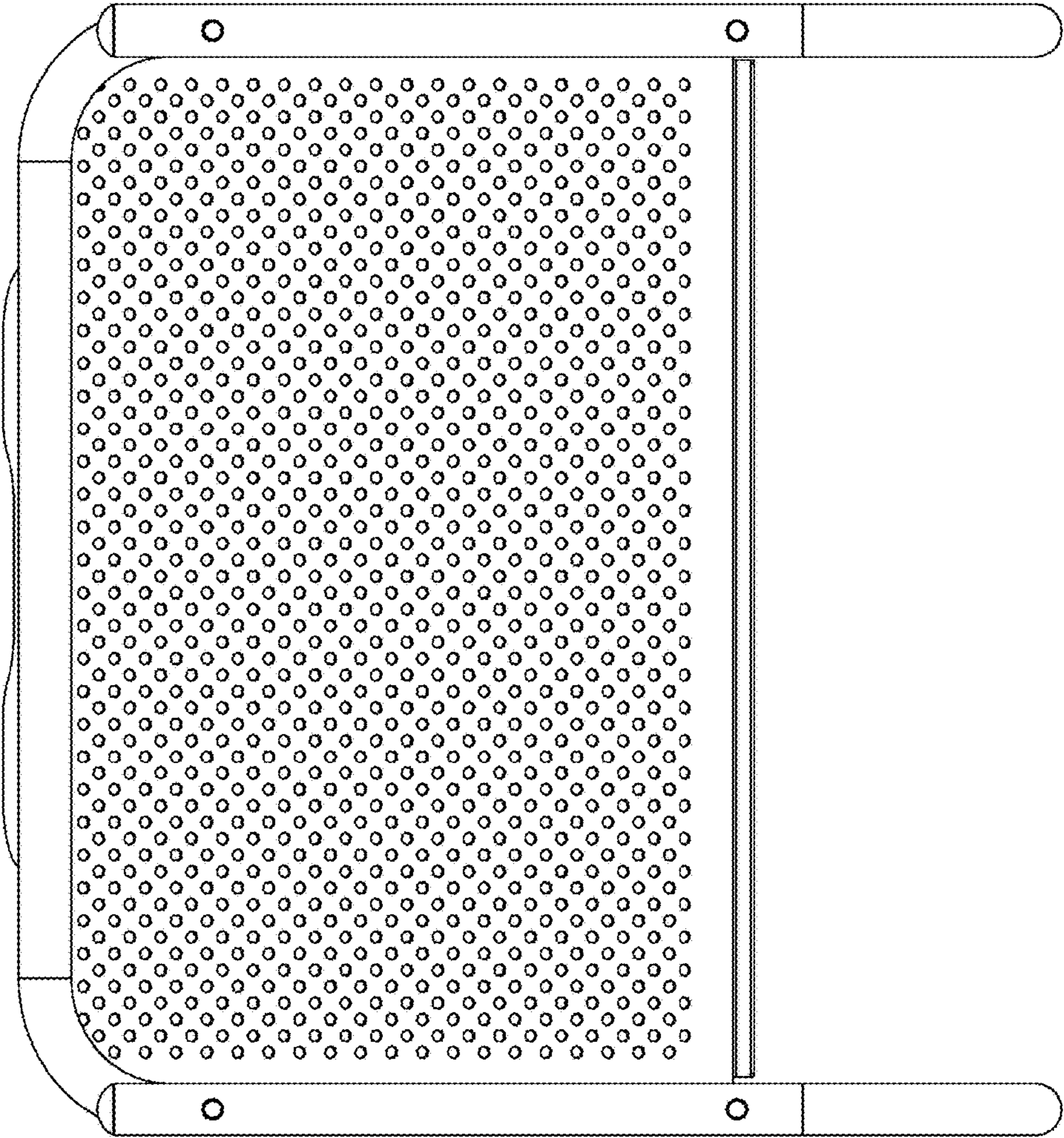


FIG. 3

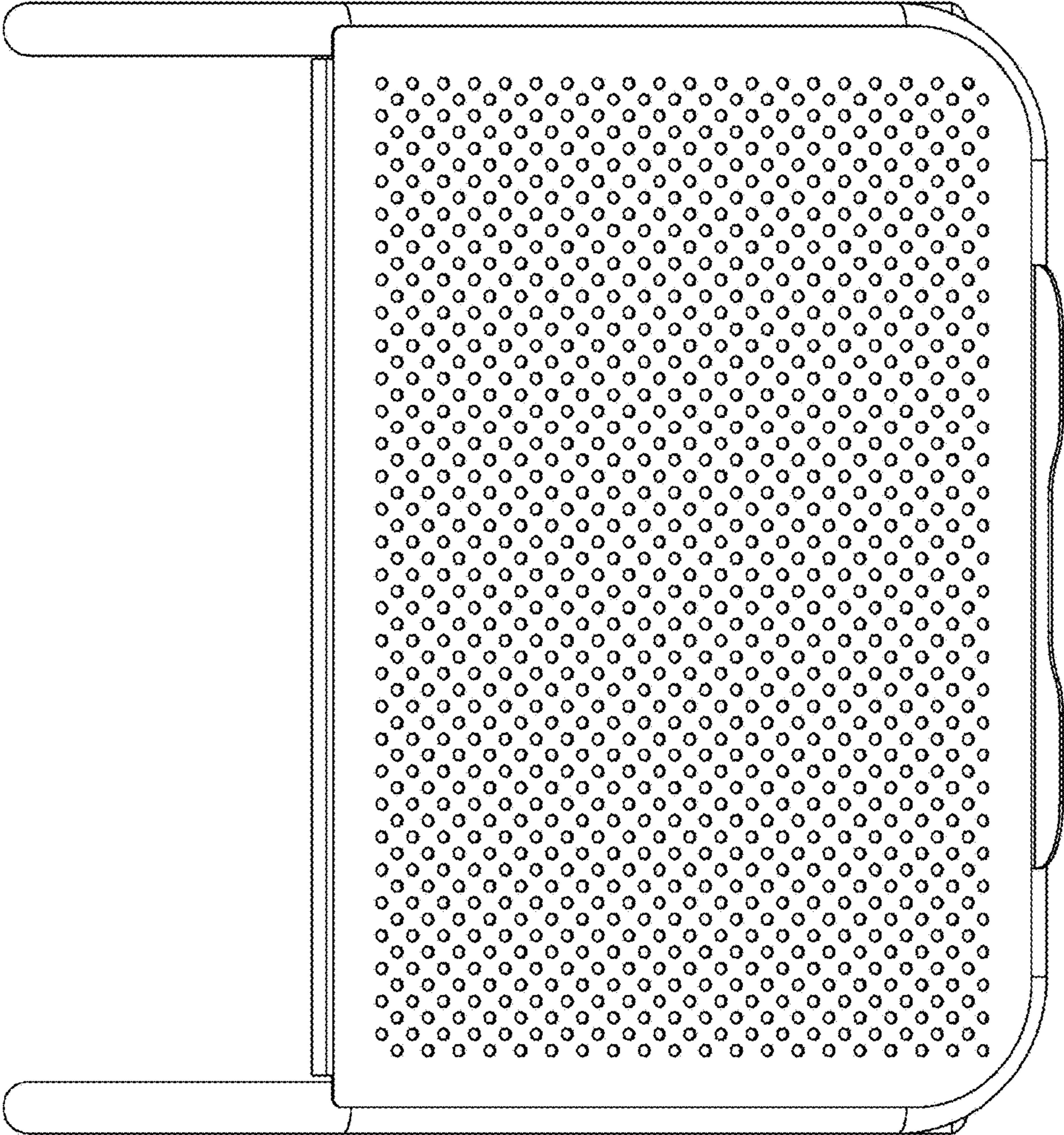


FIG. 4

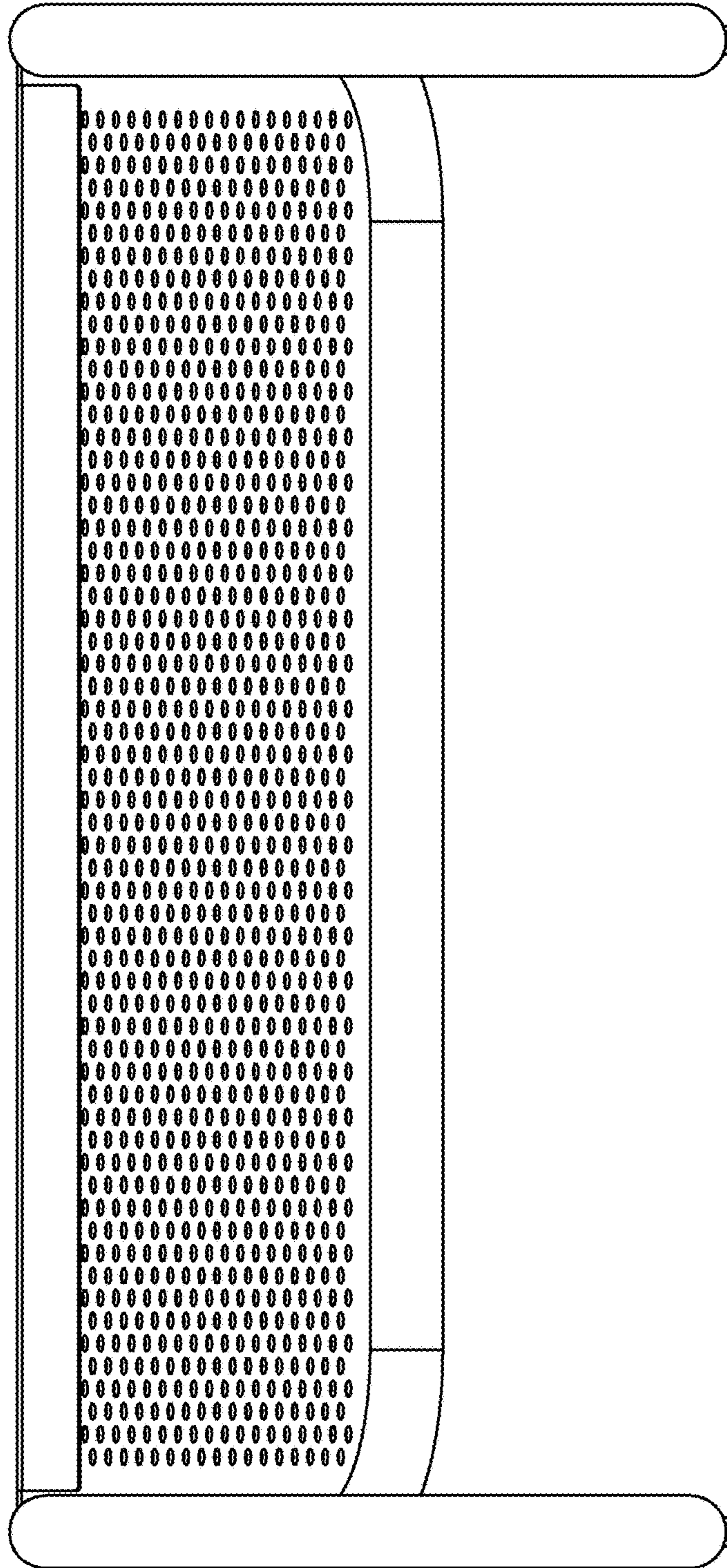


FIG. 5

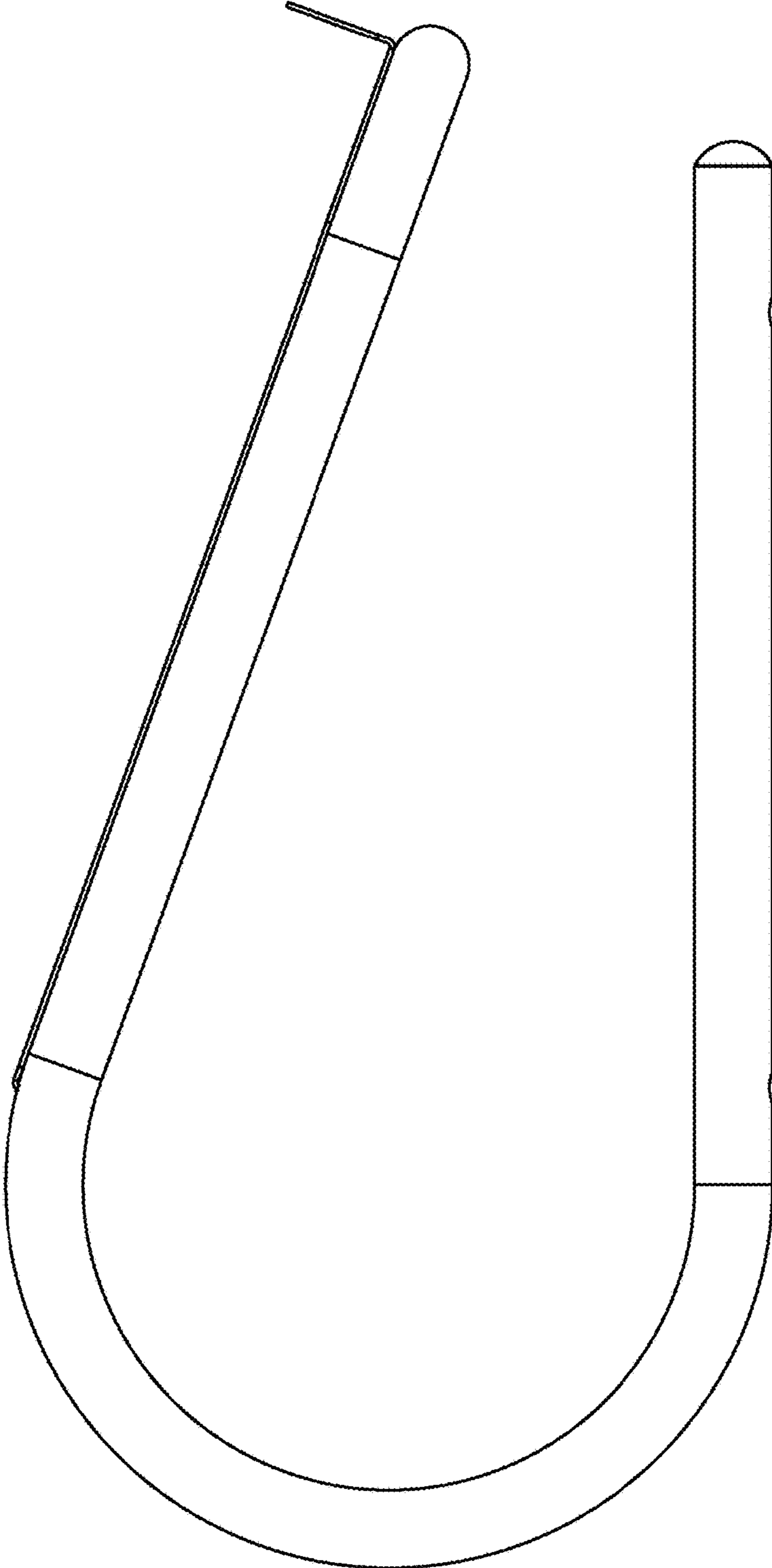


FIG. 6

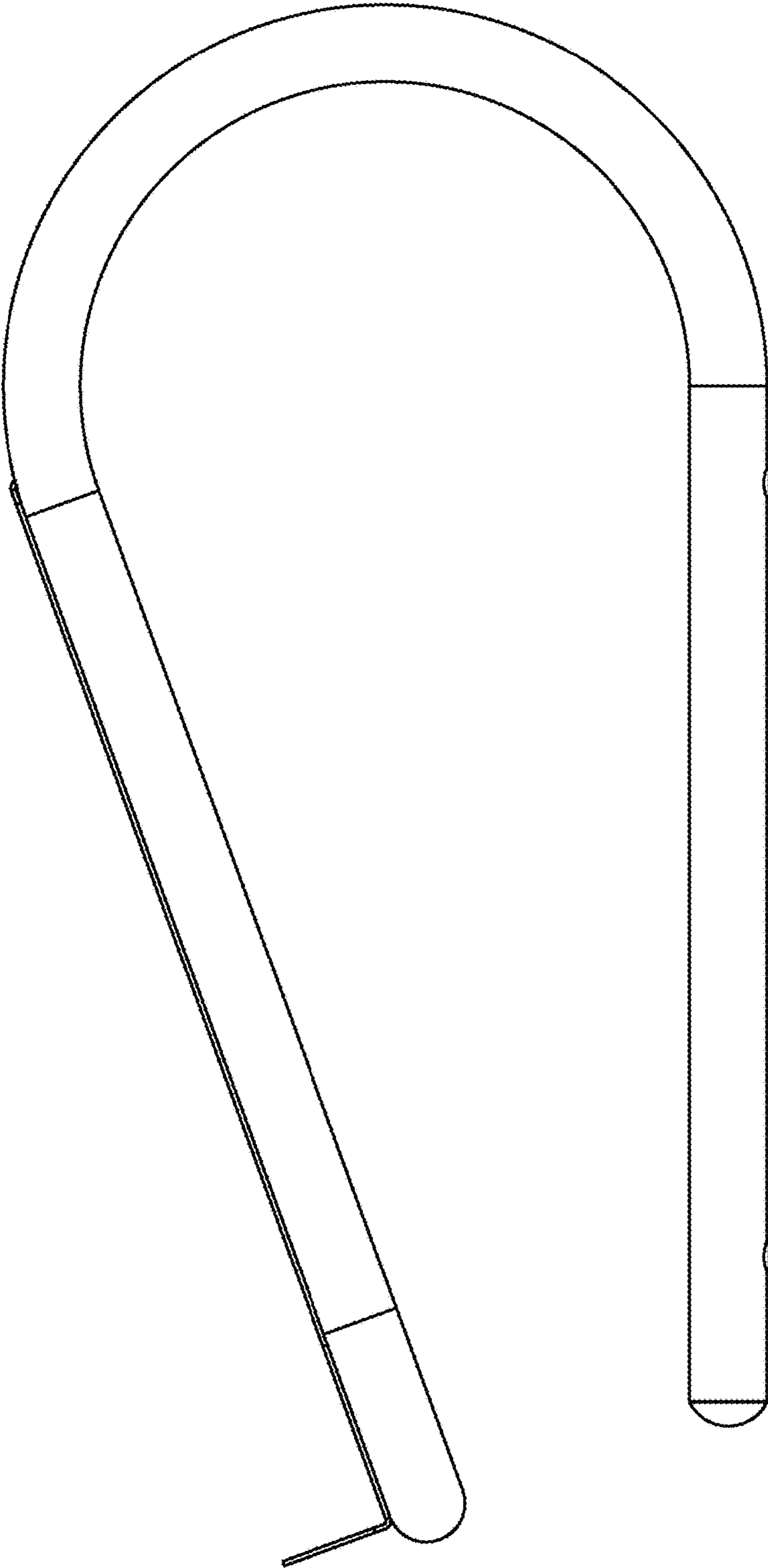


FIG. 7