



US00D857695S

(12) **United States Design Patent**
Kim et al.

(10) **Patent No.: US D857,695 S**

(45) **Date of Patent: ** Aug. 27, 2019**

(54) **COMPUTER MONITOR**

FOREIGN PATENT DOCUMENTS

(71) Applicant: **LG ELECTRONICS INC.**, Seoul (KR)

WO WO D100711-001 * 6/2018
WO WO D100712-001 * 6/2018

(72) Inventors: **Sungjoo Kim**, Seoul (KR); **Gangho Woo**, Seoul (KR)

OTHER PUBLICATIONS

(73) Assignee: **LG ELECTRONICS INC.**, Seoul (KR)

LG 20MK400H, no date available, [online], [site visited Feb. 29, 2019]. Retrieved from url:https://www.newegg.com/Product/Product.aspx?Item=9SIABMT8GG4211 (Year: 2019).*

(**) Term: **15 Years**

(Continued)

(21) Appl. No.: **35/505,134**

Primary Examiner — Jeffrey D Asch

(22) Filed: **Dec. 14, 2017**

Assistant Examiner — Tracey J Bell

(80) **Hague Agreement Data**

(74) *Attorney, Agent, or Firm* — Birch, Stewart, Kolasch & Birch, LLP

Int. Filing Date: **Dec. 14, 2017**

Int. Reg. No.: **DM/100711**

Int. Reg. Date: **Dec. 14, 2017**

Int. Reg. Pub. Date: **Jun. 15, 2018**

(57) **CLAIM**

The ornamental design for a computer monitor, as shown and described.

(30) **Foreign Application Priority Data**

Jun. 14, 2017 (KR) 30-2017-0027110

(51) **LOC (12) Cl.** **14-02**

(52) **U.S. Cl.**
USPC **D14/374**

(58) **Field of Classification Search**
USPC D14/125–134, 239, 314–316, 322, 326,
D14/334–336, 339–341, 448, 450, 371,
D14/374, 375, 376; D21/329, 332, 515
CPC G06F 1/16; G06F 1/1601; G06F 1/1637;
H04N 5/64; H05K 5/0204; H05K 5/0017;
H05K 5/0217

See application file for complete search history.

DESCRIPTION

- 1. Computer monitor
- 1.1 : Perspective
- 1.2 : Front
- 1.3 : Back
- 1.4 : Left
- 1.5 : Top
- 1.6 : Bottom
- 1.7 : Perspective view 2

The broken lines depict portions of the monitor that form no part of the claimed design; reproduction 1.1 is a front perspective view of the monitor; reproduction 1.2 is a front view thereof; reproduction 1.3 is a back view thereof; reproduction 1.4 is a left view thereof where the right view is a mirror image; reproduction 1.5 is a top view thereof; reproduction 1.6 is a bottom view thereof; reproduction 1.7 is a back perspective view thereof.

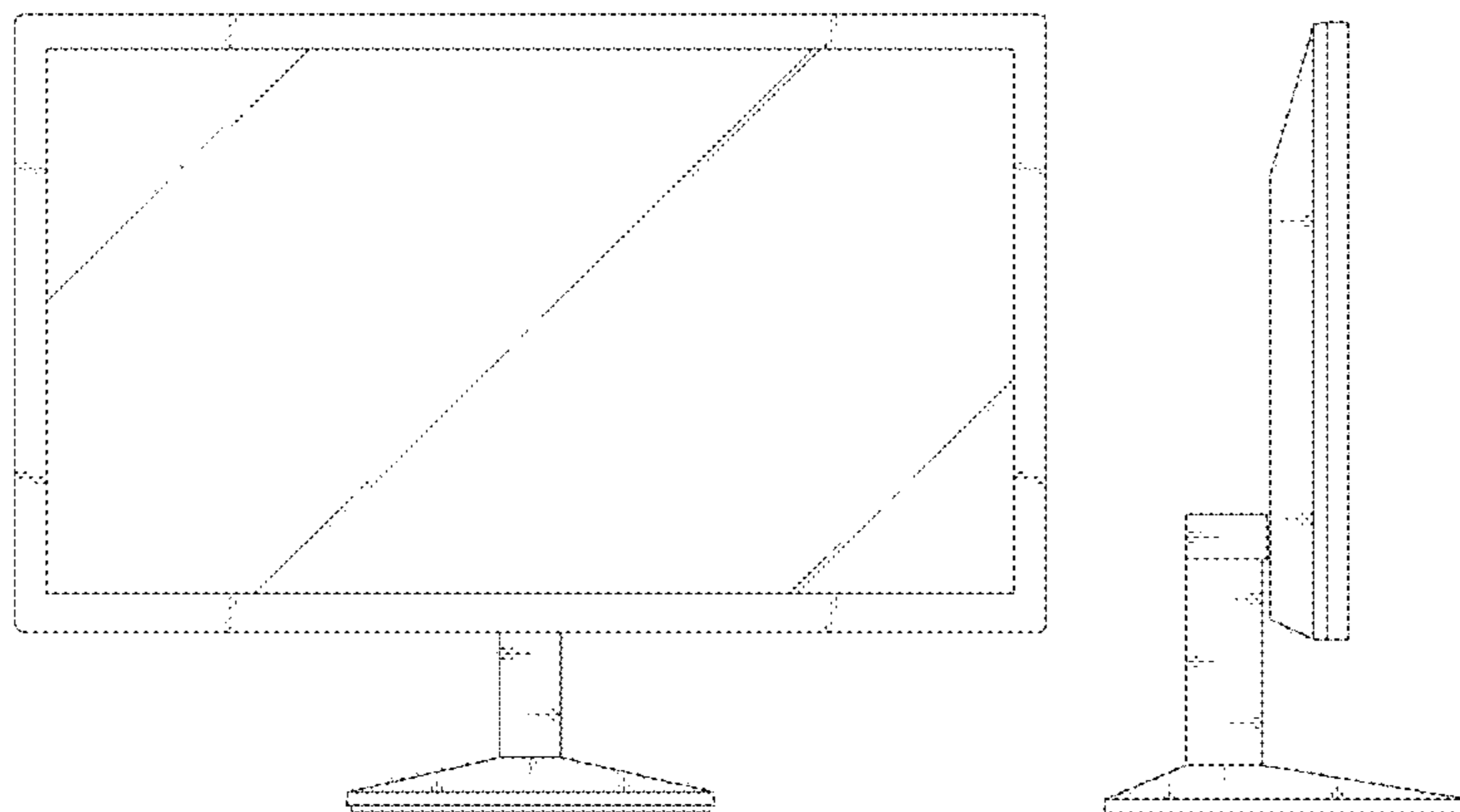
(56) **References Cited**

U.S. PATENT DOCUMENTS

D623,156 S * 9/2010 Kasuga D14/126
D624,894 S * 10/2010 Kasuga D14/126
D628,200 S * 11/2010 Ko D14/336
D641,329 S * 7/2011 Zhang D14/126

(Continued)

1 Claim, 7 Drawing Sheets



(56)

References Cited

U.S. PATENT DOCUMENTS

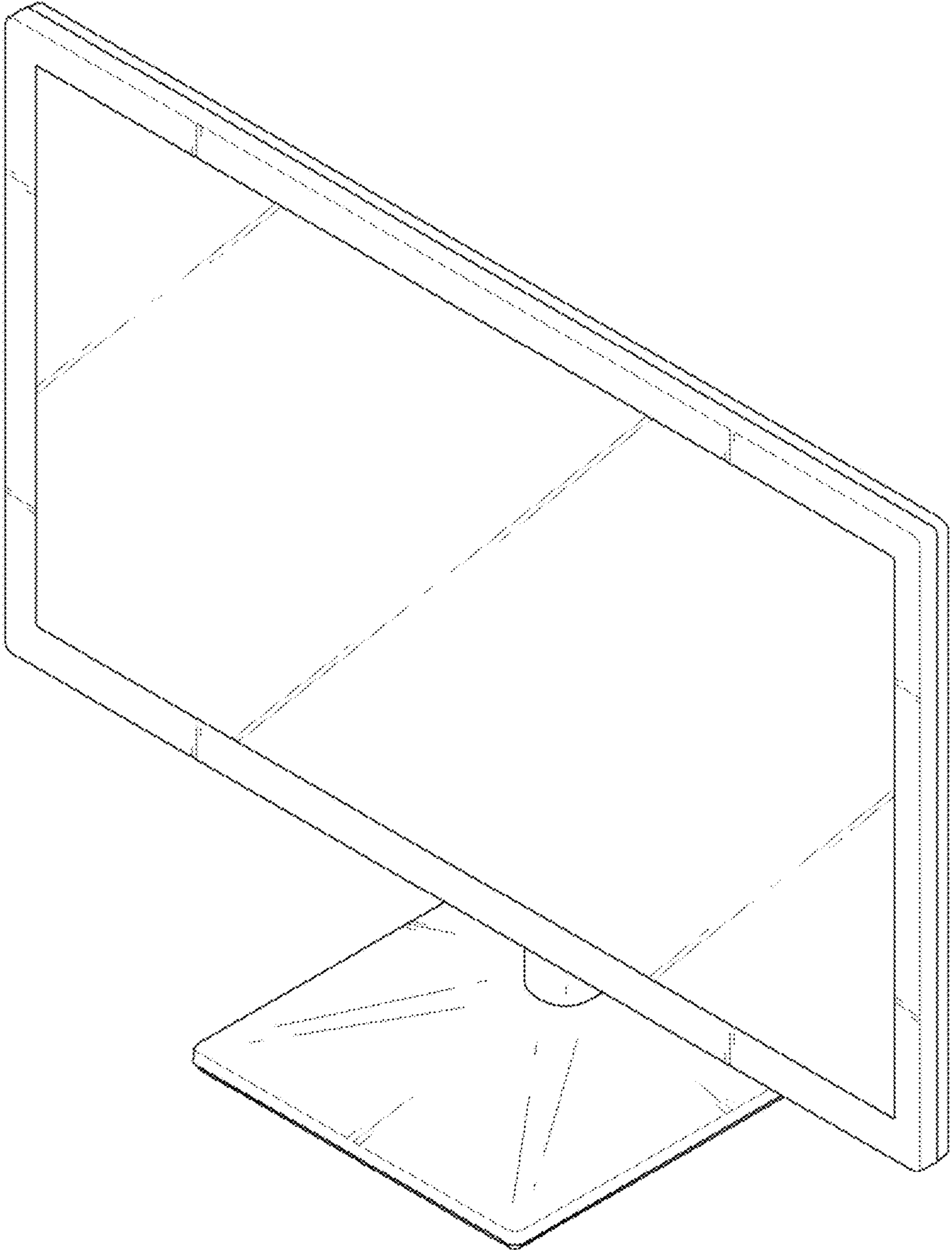
D694,206 S	*	11/2013	Seo	D14/126
D710,357 S	*	8/2014	Quijano	D14/374
D732,029 S	*	6/2015	Huh	D14/374
D734,280 S	*	7/2015	Choi	D14/126
D747,717 S	*	1/2016	Kim	D14/336
D749,082 S	*	2/2016	Jung	D14/451
D799,440 S	*	10/2017	Kim	D14/126
D805,511 S	*	12/2017	Sun	D14/336
D827,644 S	*	9/2018	Kim	D14/377

OTHER PUBLICATIONS

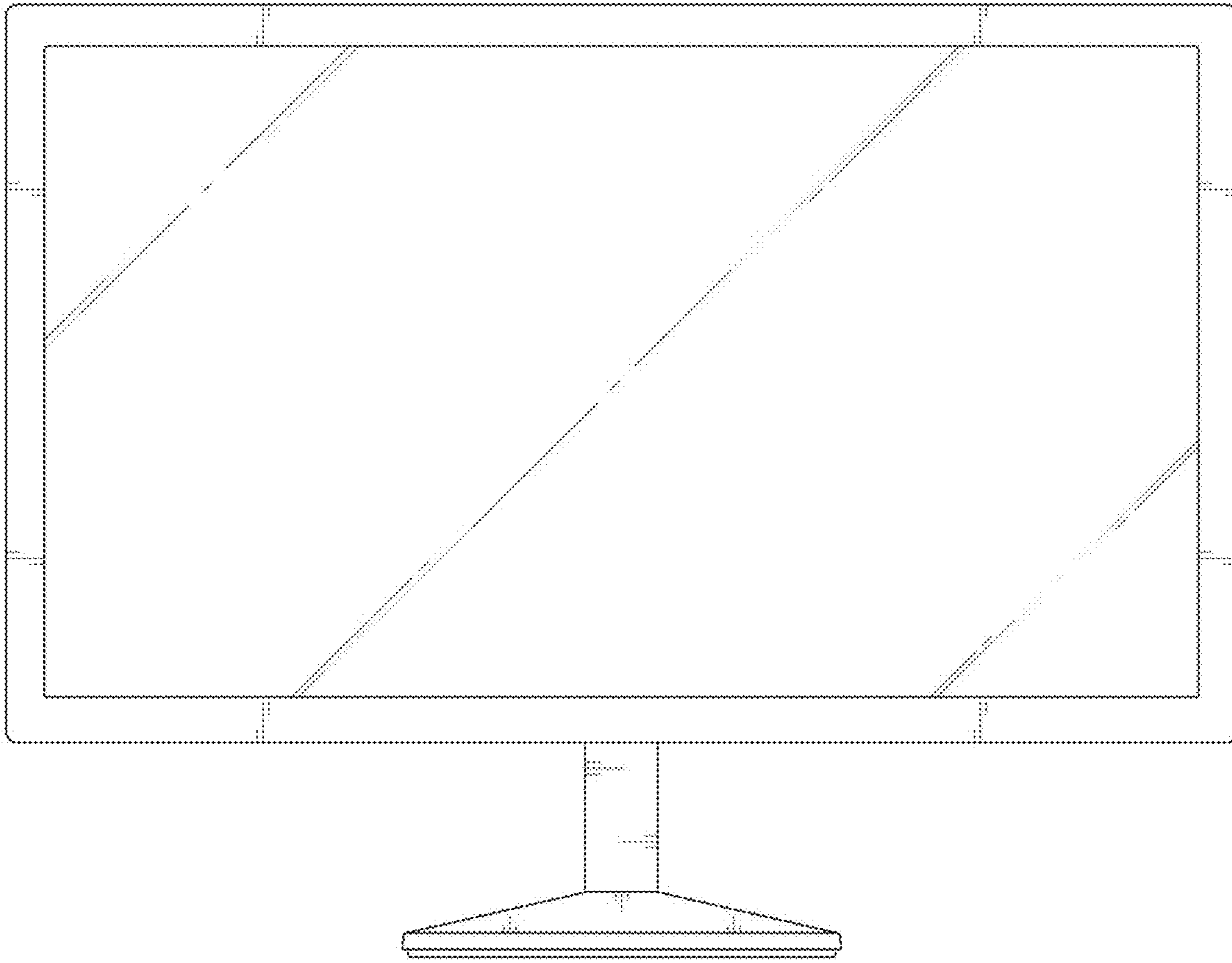
LG 27MK430H-B, no date available, [online], [site visited Mar. 22, 2019]. Retrieved from url:<https://www.lg.com/us/monitors/lg-27MK430H-B-led-monitor> (Year: 2019).*

* cited by examiner

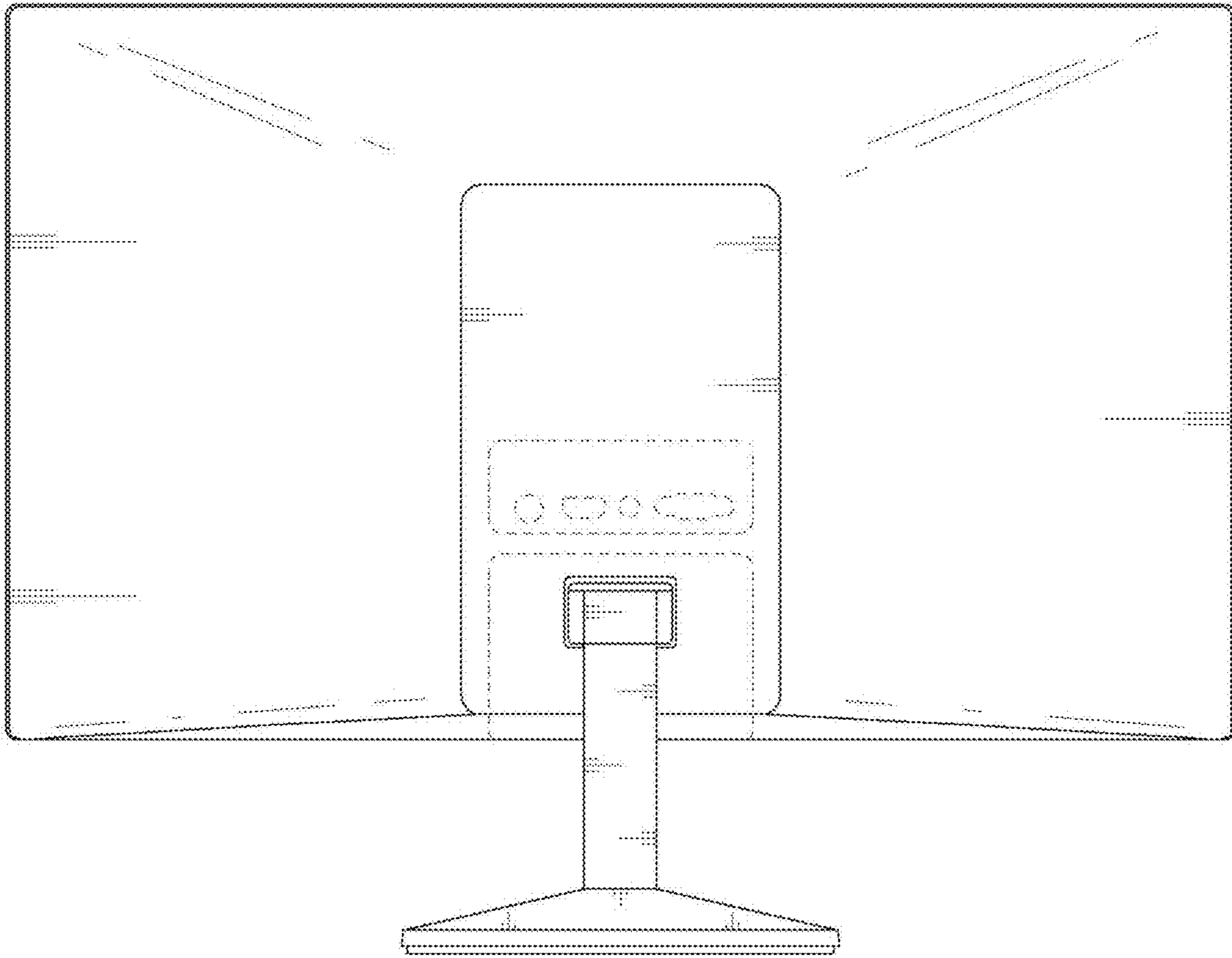
1.1



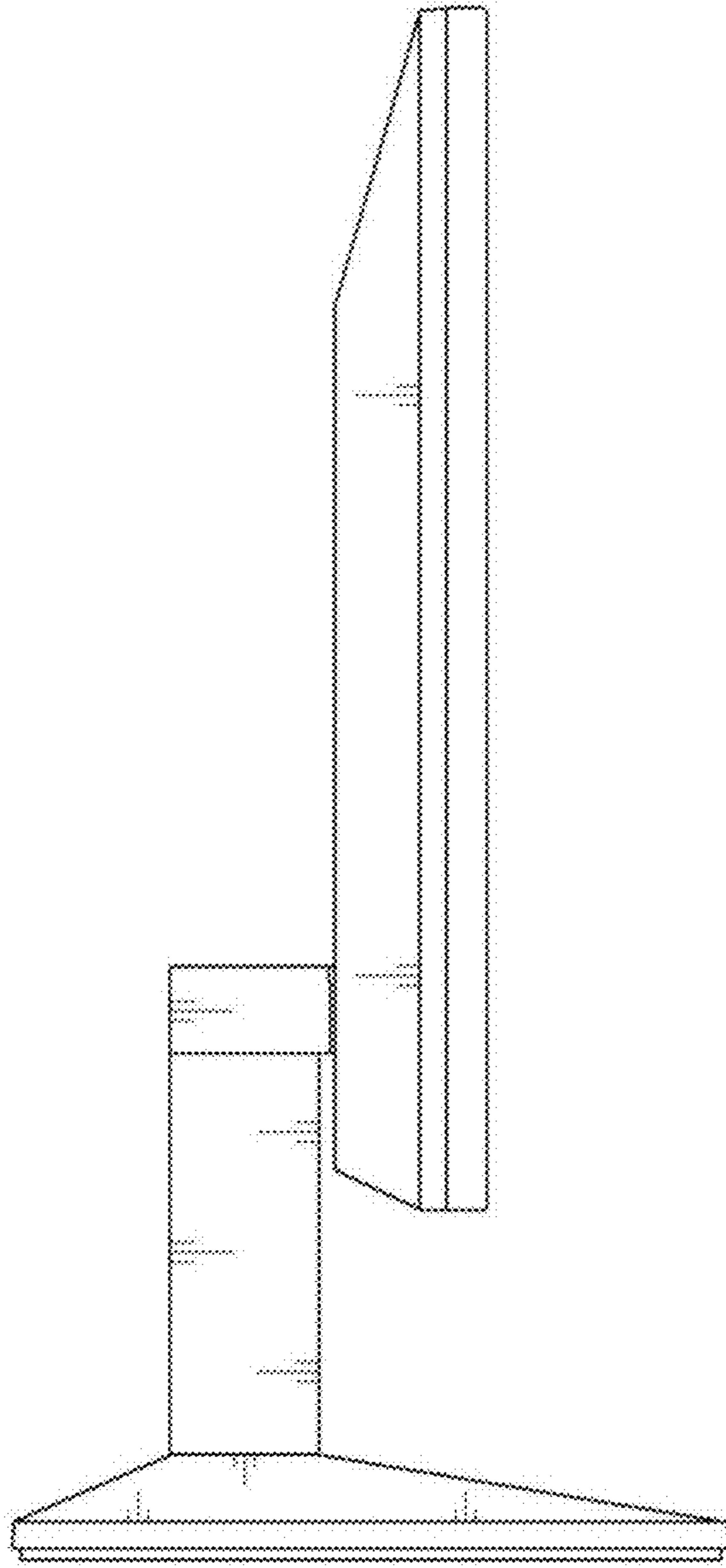
1.2



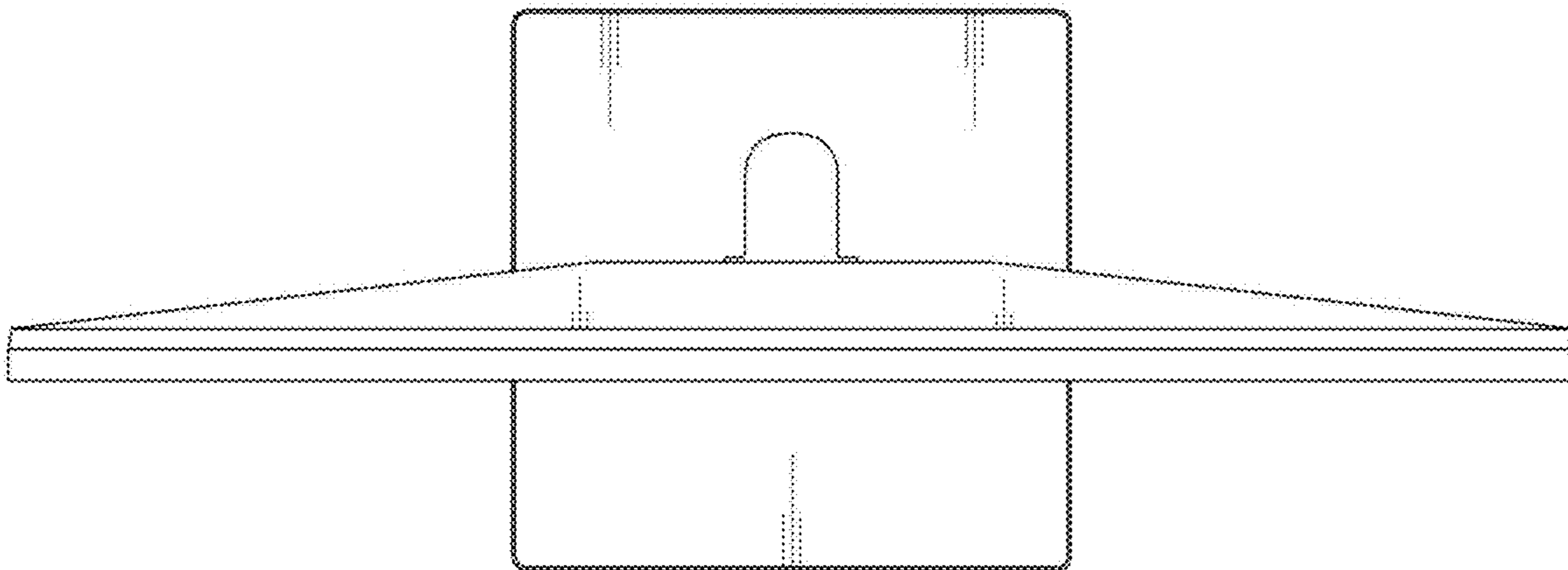
1.3



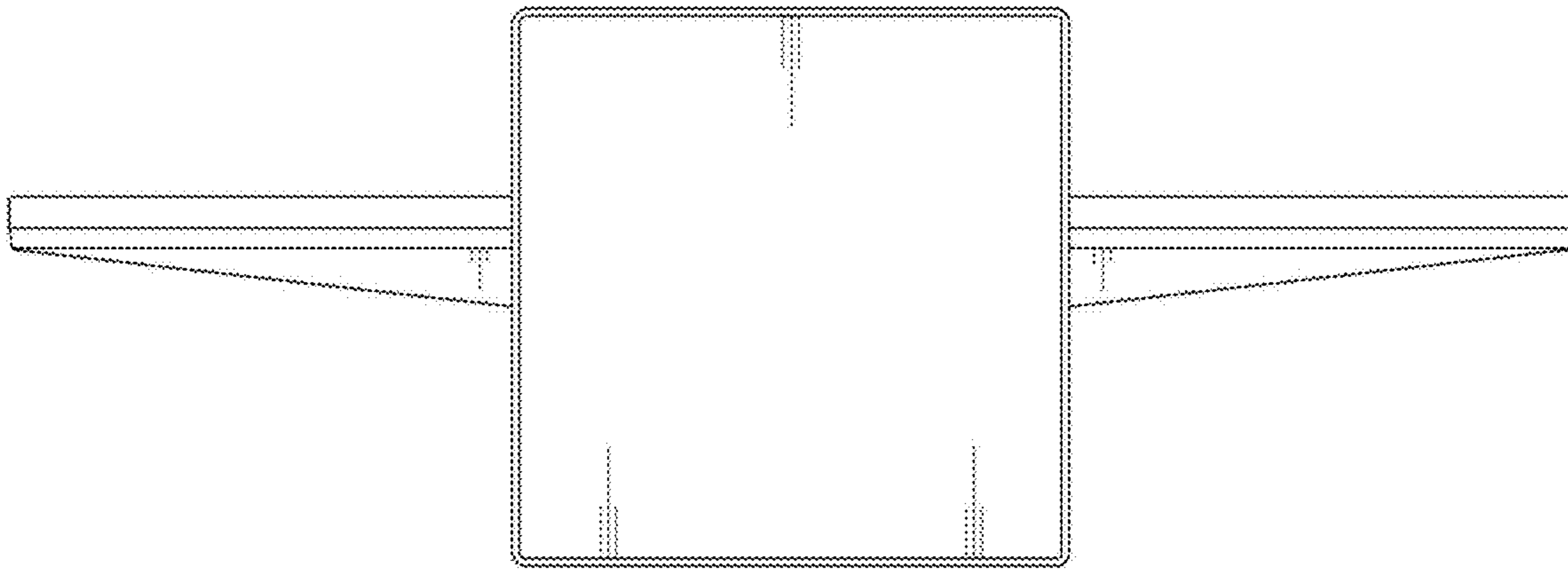
1.4



1.5



1.6



1.7

