



US00D857694S

(12) **United States Design Patent** (10) **Patent No.:** **US D857,694 S**
Natsume et al. (45) **Date of Patent:** **** Aug. 27, 2019**

(54) **PAD FOR HEAD MOUNTED AUDIO-VISUAL DISPLAY SYSTEM**

(71) Applicant: **MAGIC LEAP, INC.**, Plantation, FL (US)

(72) Inventors: **Shigeru Natsume**, Weston, FL (US); **Bradley Fraser**, Miami Beach, FL (US); **Haney Awad**, Fort Lauderdale, FL (US); **Sebastian Gonzalo Arrieta Gunther**, Fort Lauderdale, FL (US); **Masamune Kaji**, Plantation, FL (US); **William Wheeler**, Fort Lauderdale, FL (US); **Paul Thomas Foster**, Fort Lauderdale, FL (US); **Michael John Slipy**, Oakland Park, FL (US)

(73) Assignee: **MAGIC LEAP, INC.**, Plantation, FL (US)

(**) Term: **15 Years**

(21) Appl. No.: **29/657,529**

(22) Filed: **Jul. 23, 2018**

Related U.S. Application Data

(63) Continuation of application No. 29/584,739, filed on Nov. 16, 2016, and a continuation of application No. (Continued)

(51) **LOC (12) Cl.** **14-02**

(52) **U.S. Cl.**
USPC **D14/372**

(58) **Field of Classification Search**
USPC D14/372, 496, 432, 371, 125, 126, 129, D14/299; D16/300-342; 351/158, 153, (Continued)

(56) **References Cited**

U.S. PATENT DOCUMENTS

D433,023 S 10/2000 Pinchuk
D514,613 S 2/2006 Jannard
(Continued)

OTHER PUBLICATIONS

Notice of Allowance dated Jul. 31, 2018 for Design U.S. Appl. No. 29/650,868, 12 pages.

(Continued)

Primary Examiner — Austin Murphy
(74) *Attorney, Agent, or Firm* — Vista IP Law Group LLP

(57) **CLAIM**

We claim the ornamental design for a pad for a head mounted audio-visual display system, as shown and described.

DESCRIPTION

This application is related to U.S. Design patent application Ser. Nos. 29/647,016, filed on May 9, 2018 and entitled "Head Mounted Audio-Visual Display System," 29/647,017, filed on May 9, 2018 and entitled "Head Mounted Audio-Visual Display System," 29/647,018, filed on May 9, 2018 and entitled "Head Mounted Audio-Visual Display System," 29/647,019, filed on May 9, 2018 and entitled "Head Mounted Audio-Visual Display System," 29/650,868, filed Jun. 11, 2018 and entitled "Padding For Head Mounted Audio-Visual Display System," 29/650,872, filed Jun. 11, 2018 and entitled "Padding For Head Mounted Audio-Visual Display System," 29/653,570, filed on Jun. 15, 2018 and entitled "Head Mounted Audio-Visual Display System," 29/653,573, filed on Jun. 15, 2018 and entitled "Head Mounted Audio-Visual Display System," 29/653,575, filed on Jun. 15, 2018 and entitled "Head Mounted Audio-Visual Display System," 29/653,576, filed on Jun. 15, 2018 and entitled "Head Mounted Audio-Visual Display System," 29/655,175, filed on Jun. 29, 2018 and entitled "Head Mounted Audio-Visual Display System," 29/657,530, filed Jul. 23, 2018 and entitled "Padding For Head Mounted Audio-Visual Display System," 29/657,532, filed Jul. 23, 2018 and entitled "Pad For Head Mounted Audio-Visual Display System." The contents of the aforementioned patent applications are hereby expressly and fully incorporated by reference in their entirety, as though set forth in full. FIG. 1 is a perspective view of a pad for a head mounted audio-visual display system showing our design;

(Continued)

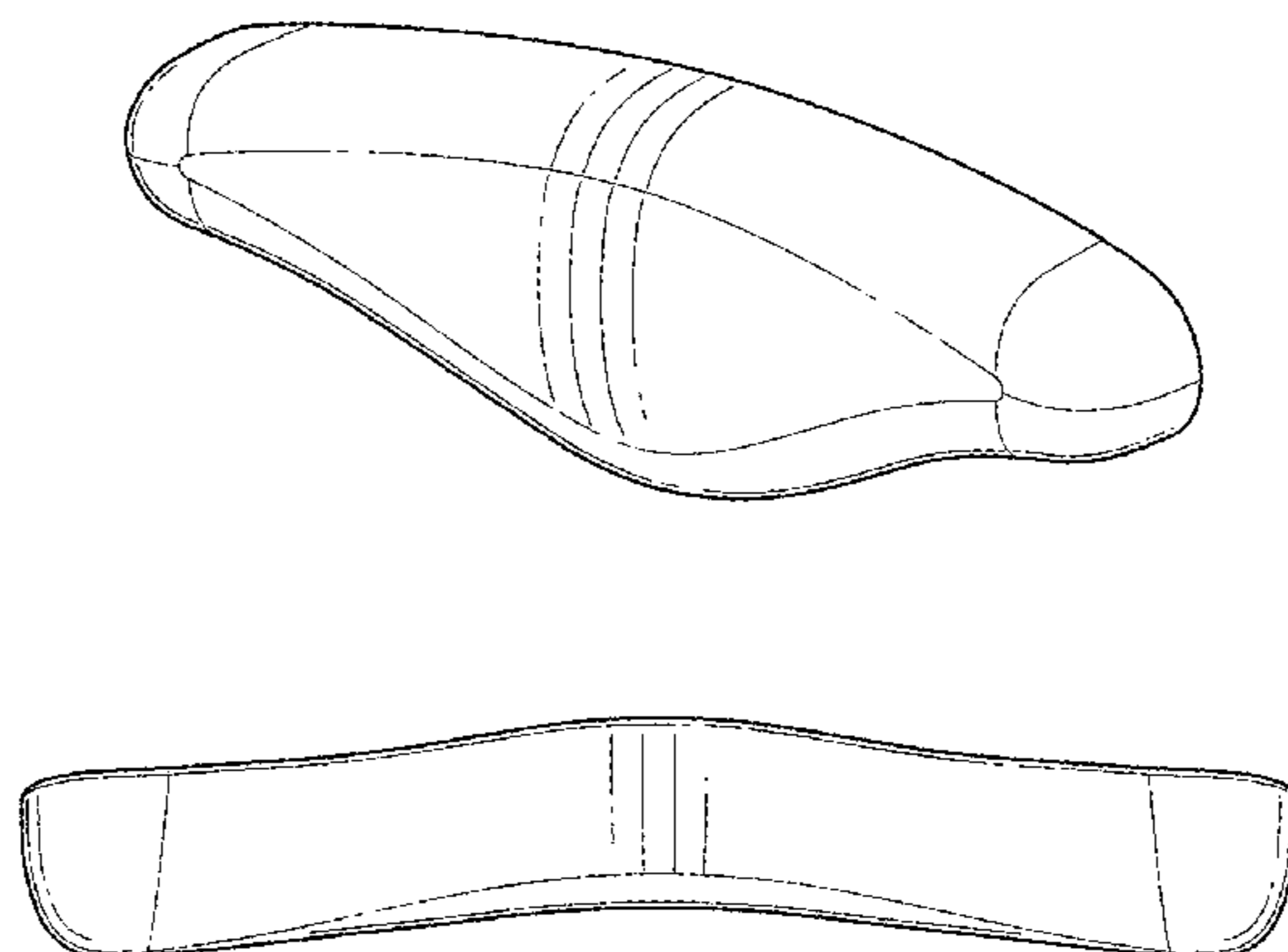


FIG. 2 is a front view thereof;
 FIG. 3 is a rear view thereof;
 FIG. 4 is a left view thereof;
 FIG. 5 is a right view thereof;
 FIG. 6 is a top view thereof; and
 FIG. 7 is a bottom view thereof; and,
 FIG. 8 is a perspective view thereof.

The broken lines depicting various portions of a padding system for a head mounted audio-visual display system are included for the purpose of illustrating environmental structure and form no part of the claimed design.

1 Claim, 8 Drawing Sheets

Related U.S. Application Data

29/621,011, filed on Oct. 3, 2017, now Pat. No. Des. 845,296.

(58) **Field of Classification Search**

USPC 351/144; 345/7-9, 905; 455/344; 348/115, 53, 121, 739
 CPC G02B 27/017; G02B 27/0158; G02B 27/0161; G02B 27/0181; G02B 27/0185; G02B 27/0189

See application file for complete search history.

(56) **References Cited**

U.S. PATENT DOCUMENTS

D521,493 S	5/2006	Wai
D669,471 S	10/2012	Hwang et al.
D685,019 S	6/2013	Li
D704,704 S	5/2014	Tatara et al.
D718,366 S	11/2014	Mehin
D734,807 S	7/2015	Wu
D746,818 S	1/2016	Cho
D753,211 S	4/2016	DiChiara
D754,782 S	4/2016	Kokinakis et al.
D757,007 S	5/2016	Cazalet et al.
D759,015 S	6/2016	Mehin et al.
D762,212 S	7/2016	Iritani
D773,552 S	12/2016	Champ
D776,111 S	1/2017	Baldassi et al.
D777,242 S	1/2017	Seo et al.
D780,752 S	3/2017	Park et al.
D781,290 S	3/2017	Kim et al.
D792,400 S	7/2017	Osterhout
D795,952 S	8/2017	Natsume et al.
D796,503 S	9/2017	Natsume et al.
D796,504 S	9/2017	Natsume et al.
D796,505 S	9/2017	Natsume et al.
D796,506 S	9/2017	Natsume et al.
D797,733 S	9/2017	Lee
D797,735 S	9/2017	Fraser et al.
D798,862 S	10/2017	Wang
D799,482 S	10/2017	Thomas
D800,727 S	10/2017	Mullins et al.
D802,048 S	11/2017	Lundberg
D805,072 S	12/2017	Seki
D805,073 S	12/2017	Yee et al.
D806,710 S	1/2018	Chen et al.
D807,882 S	1/2018	Gribetz et al.
D810,743 S	2/2018	Yee et al.
D812,612 S	3/2018	Gribetz et al.
D815,092 S	4/2018	Liao
D819,636 S	6/2018	Chen et al.
D819,637 S	6/2018	Chen et al.
D819,716 S	6/2018	Kim
D820,258 S	6/2018	Maw et al.

D824,905 S	8/2018	Yamada et al.
D825,561 S	8/2018	Gribetz
D827,642 S	9/2018	Liu
D831,027 S	10/2018	Kirn
D836,629 S	12/2018	Maffucci
D838,719 S	1/2019	Wei
D839,269 S	1/2019	Wang
2009/0040296 A1 *	2/2009	Moscato G02B 27/0172 348/53
2010/0245754 A1	9/2010	Matsumoto
2011/0255049 A1	10/2011	Corona
2012/0033142 A1 *	2/2012	Thomson G02B 7/002 348/838
2012/0200935 A1 *	8/2012	Miyao G02B 27/0172 359/630
2012/0218301 A1 *	8/2012	Miller G02B 27/017 345/633
2013/0234914 A1 *	9/2013	Fujimaki G06F 3/011 345/8
2013/0235331 A1 *	9/2013	Heinrich G02C 11/10 351/158
2014/0147829 A1 *	5/2014	Jerauld G06F 1/163 434/430
2015/0355466 A1 *	12/2015	Border G02B 27/0172 345/8
2016/0103339 A1	4/2016	White
2016/0133201 A1 *	5/2016	Border G02B 27/283 345/694

OTHER PUBLICATIONS

Notice of Allowance dated Jul. 31, 2018 for Design U.S. Appl. No. 29/650,872, 12 pages.
 Notice of Allowance dated Jul. 31, 2018 for Design U.S. Appl. No. 29/653,570, 8 pages.
 Notice of Allowance dated Jul. 31, 2018 for Design U.S. Appl. No. 29/653,573, 8 pages.
 Notice of Allowance dated Jul. 31, 2018 for Design U.S. Appl. No. 29/653,575, 8 pages.
 Design application specification and drawings for U.S. Appl. No. 29/603,737, filed May 11, 2016, Inventor David Charles Lundmark, et al., entitled "Head Mounted Audio-Visual Display System Connection Cable" 25 pages.
 Design application specification and drawings for U.S. Appl. No. 29/575,027, filed Aug. 22, 2016, Inventor Bradley Fraser, et al., entitled "Mixed Reality Head Mounted Display" 9 pages.
 Notice of Allowance dated Aug. 28, 2018 for Design U.S. Appl. No. 29/653,576, 8 pages.
 Notice of Allowance dated Aug. 27, 2018 for Design U.S. Appl. No. 29/647,016, 17 pages.
 Notice of Allowance dated Aug. 29, 2018 for Design U.S. Appl. No. 29/647,017, 17 pages.
 Notice of Allowance dated Aug. 27, 2018 for Design U.S. Appl. No. 29/647,018, 17 pages.
 Notice of Allowance dated Aug. 29, 2018 for Design U.S. Appl. No. 29/647,019, 17 pages.
 Non Final Office Action dated Oct. 4, 2018 for U.S. Appl. No. 29/584,739.
 Notice of Allowance dated Dec. 5, 2018 for Design U.S. Appl. No. 29/621,011.
 Amendment Response submitted on Jan. 3, 2019 for U.S. Appl. No. 29/584,739.
 Notice of Allowance dated Apr. 15, 2019 for Design U.S. Appl. No. 29/655,175.
 Notice of Allowance dated Apr. 16, 2019 for Design U.S. Appl. No. 29/657,530.
 Notice of Allowance dated Apr. 15, 2019 for Design U.S. Appl. No. 29/657,532.
 Notice of Allowance dated Apr. 22, 2019 for Design U.S. Appl. No. 29/584,739.

* cited by examiner

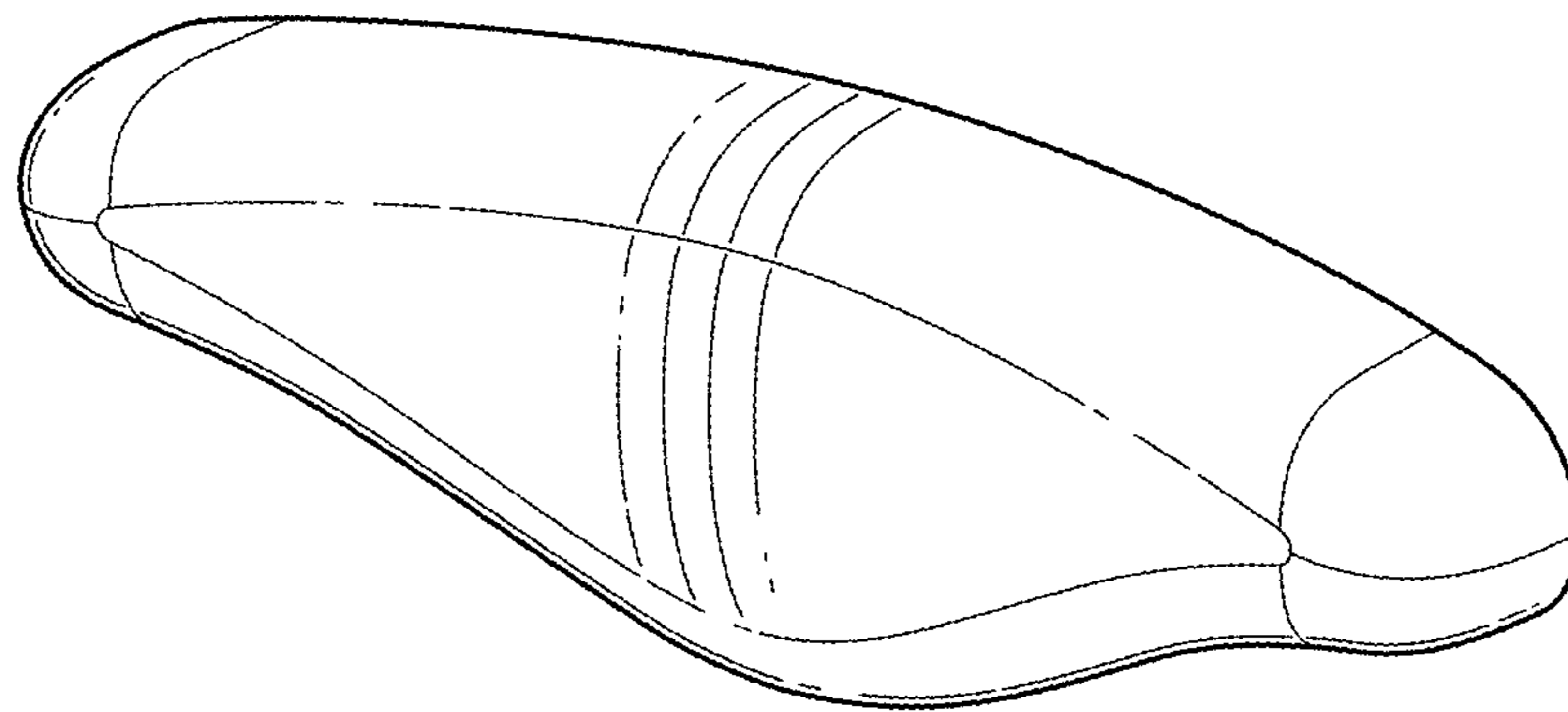


FIG. 1

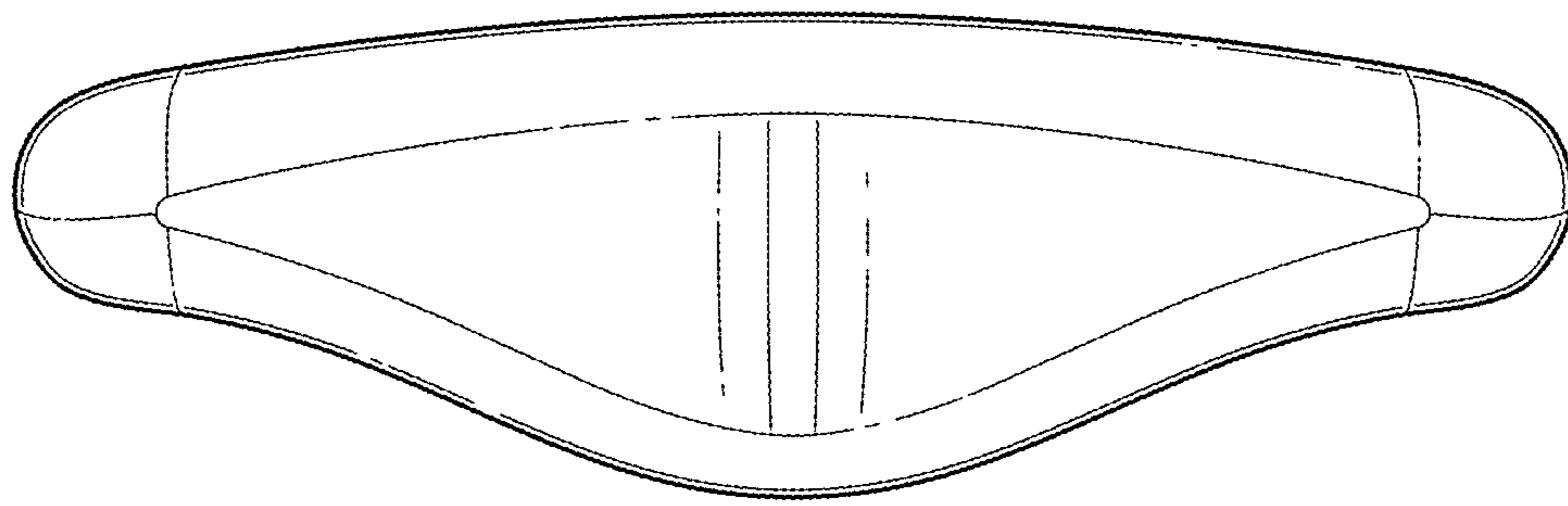


FIG. 2

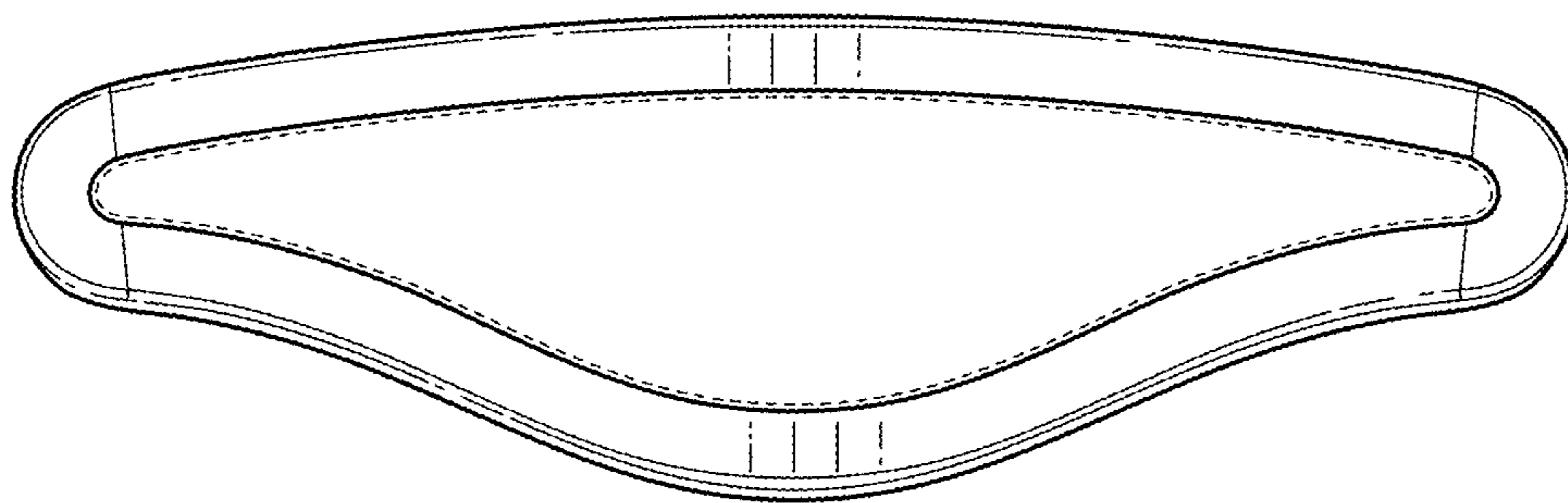


FIG. 3

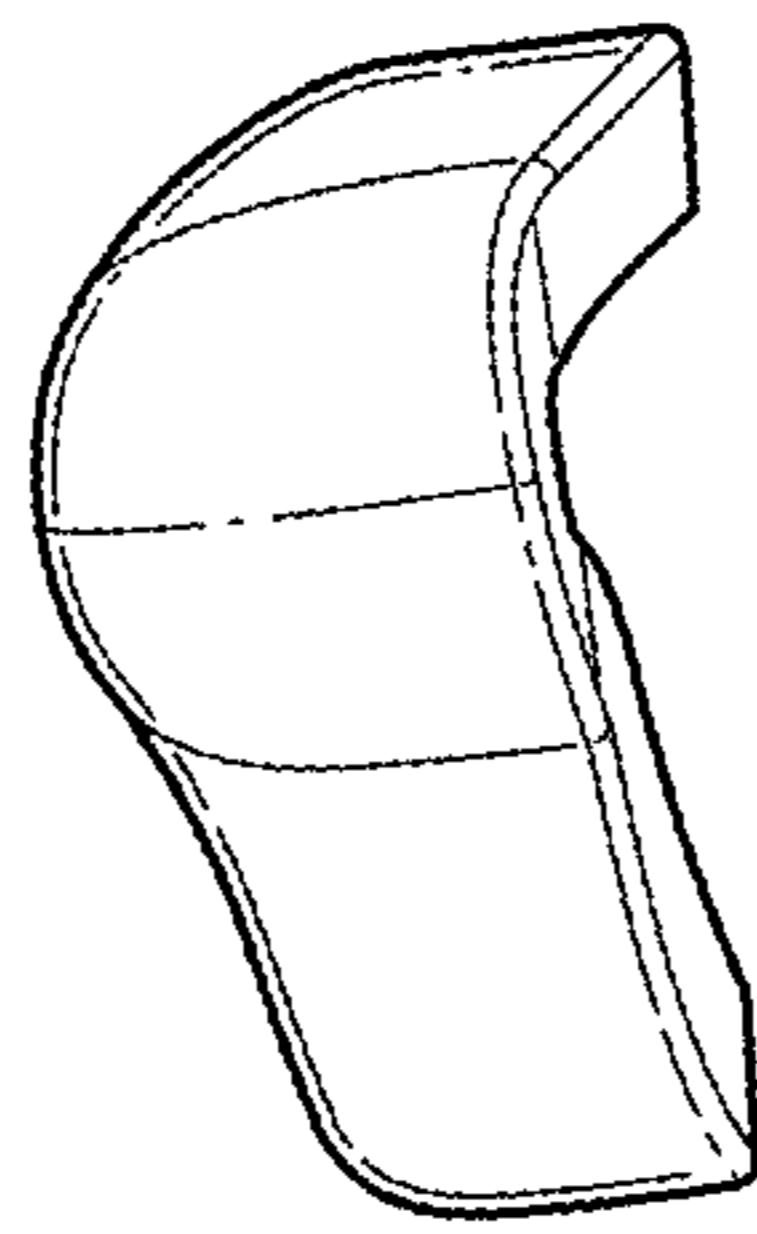


FIG. 4

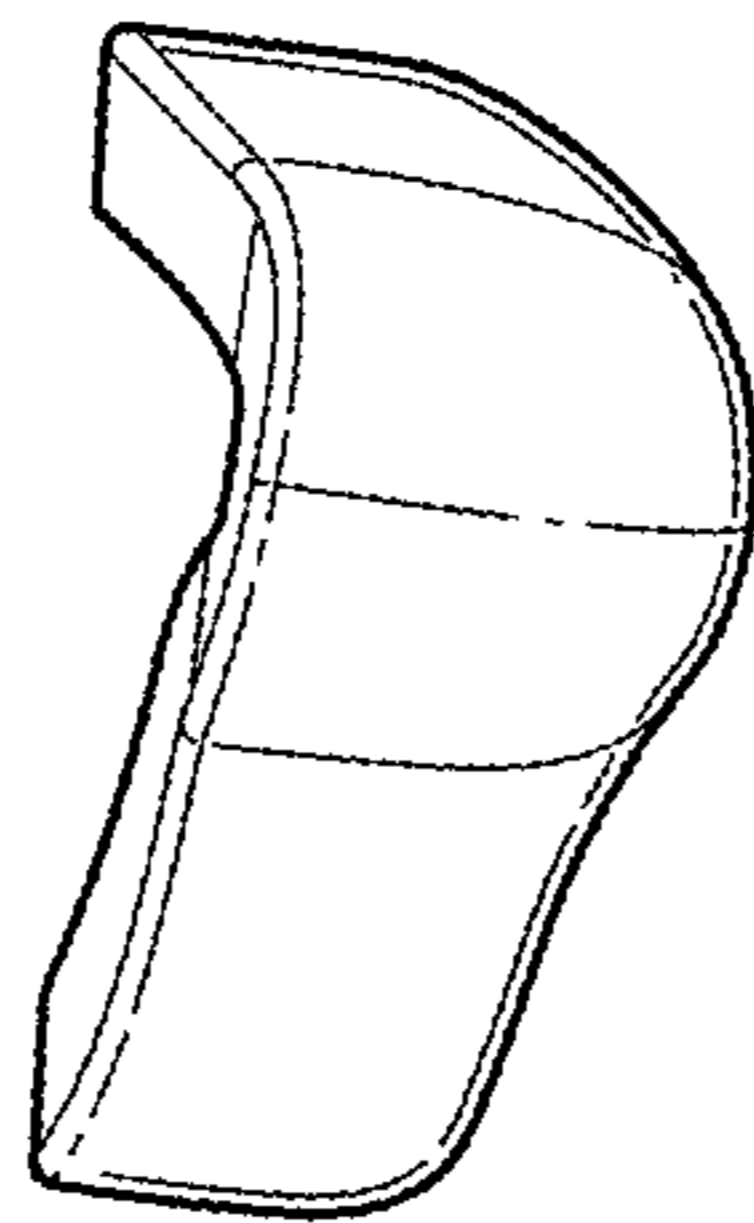


FIG. 5

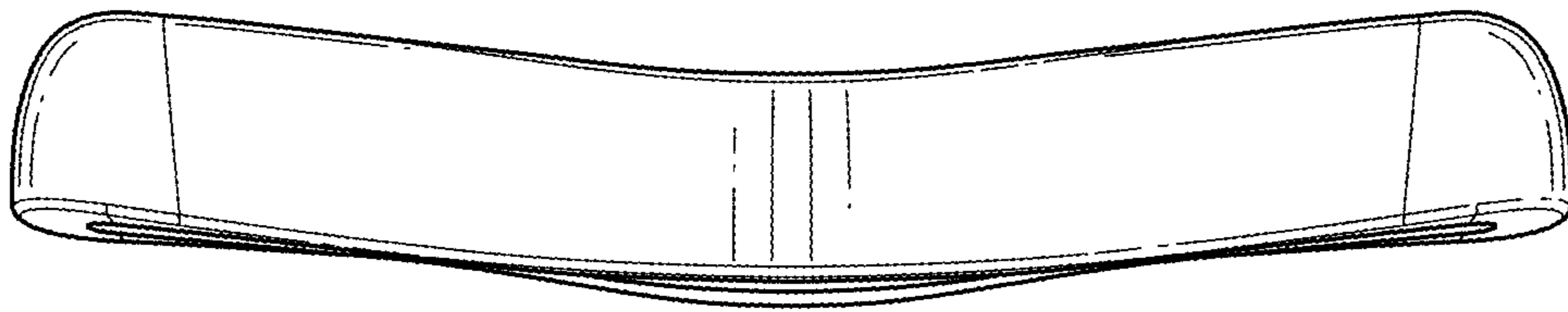


FIG. 6

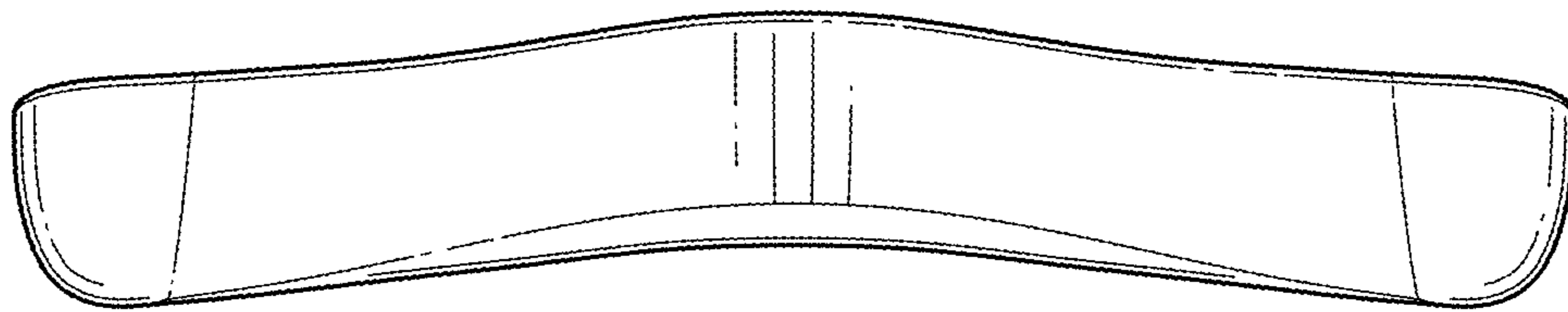


FIG. 7

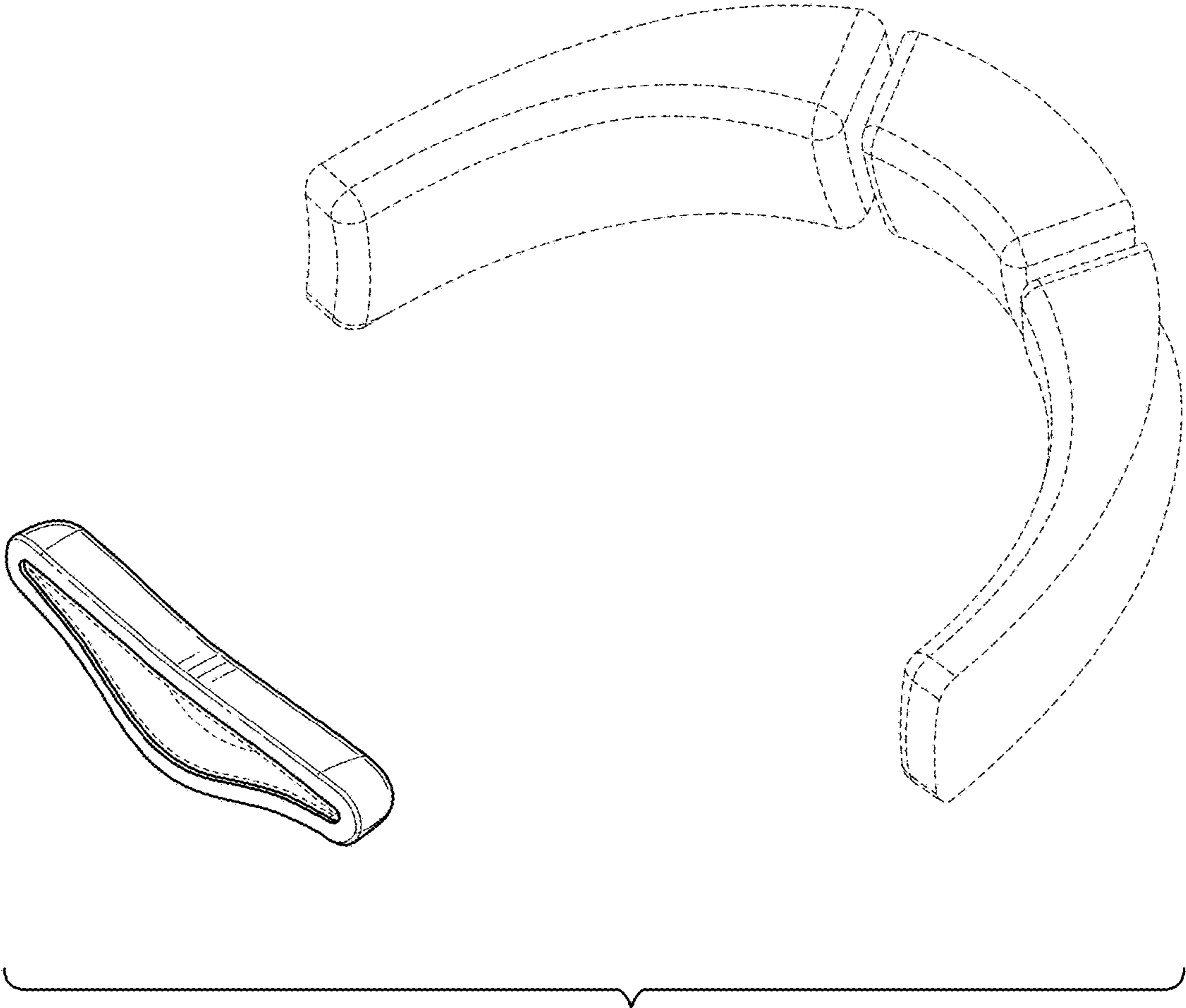


FIG. 8