



US00D857692S

(12) **United States Design Patent** (10) **Patent No.:** **US D857,692 S**  
**Conlee, IV et al.** (45) **Date of Patent:** **\*\* Aug. 27, 2019**

(54) **HEADSET**

(71) Applicant: **Valve Corporation**, Bellevue, WA (US)

(72) Inventors: **Carl Samuel Conlee, IV**, Seattle, WA (US); **Ivan A. McCracken**, Bellevue, WA (US); **Jeremy Adam Selan**, Kirkland, WA (US); **Quentin Smith**, Seattle, WA (US); **Dustin Michael Horn**, Seattle, WA (US); **Clement Gallois**, Seattle, WA (US)

(73) Assignee: **Valve Corporation**, Bellevue, WA (US)

(\*\*) Term: **15 Years**

(21) Appl. No.: **29/644,686**

(22) Filed: **Apr. 19, 2018**

(51) **LOC (12) Cl.** ..... **14-02**

(52) **U.S. Cl.**  
USPC ..... **D14/372**

(58) **Field of Classification Search**  
USPC ..... D14/372, 496, 432, 371, 125, 126, 129, D14/299; D16/300-342; 351/158, 153, 351/144; 345/7-9, 905; 455/344; 348/115, 53, 121, 739  
CPC ..... G02B 27/017; G02B 27/0158; G02B 27/0161; G02B 27/0181; G02B 27/0185; G02B 27/0189

See application file for complete search history.

(56) **References Cited**

**U.S. PATENT DOCUMENTS**

D764,465 S \* 8/2016 Clement ..... D14/372  
D805,514 S \* 12/2017 Clement ..... D14/372  
D810,743 S \* 2/2018 Yee ..... D14/372

D813,232 S \* 3/2018 Clement ..... D14/372  
D815,637 S \* 4/2018 Li ..... D14/372  
D819,634 S \* 6/2018 Pang ..... D14/372  
D819,635 S \* 6/2018 Miller ..... D14/372  
D819,636 S \* 6/2018 Chen ..... D14/372  
D822,659 S \* 7/2018 Spio ..... D14/372  
D827,642 S \* 9/2018 Liu ..... D14/372  
D829,208 S \* 9/2018 Dallmeyer ..... D14/372  
D831,029 S \* 10/2018 Gu ..... D14/372

**OTHER PUBLICATIONS**

European Office Action dated Oct. 29, 2018 for European design application No. 005802832-0001, a foreign application of design U.S. Appl. No. 29/644,686, 4 pages.

\* cited by examiner

*Primary Examiner* — Austin Murphy

(74) *Attorney, Agent, or Firm* — Lee & Hayes, P.C.

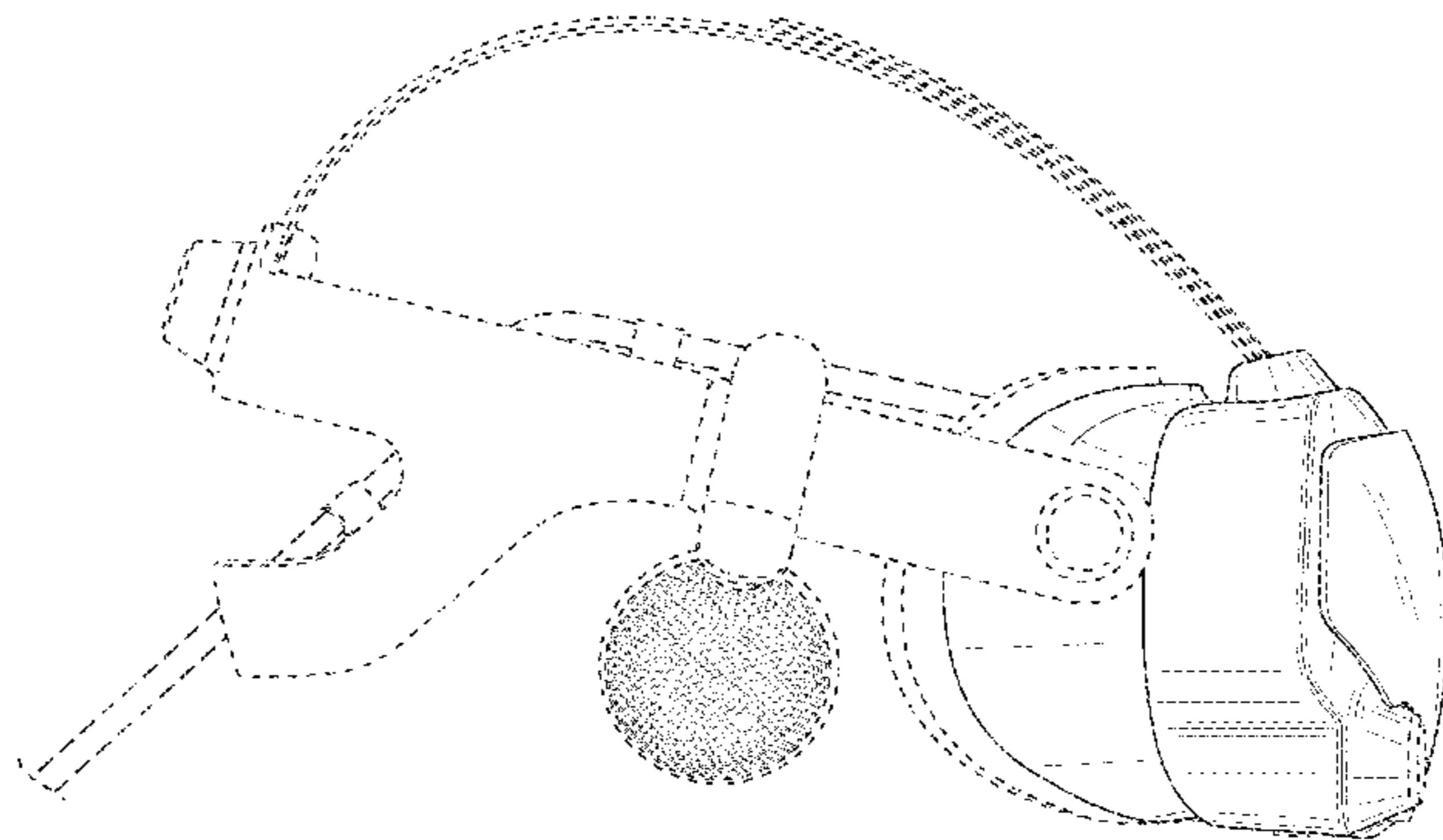
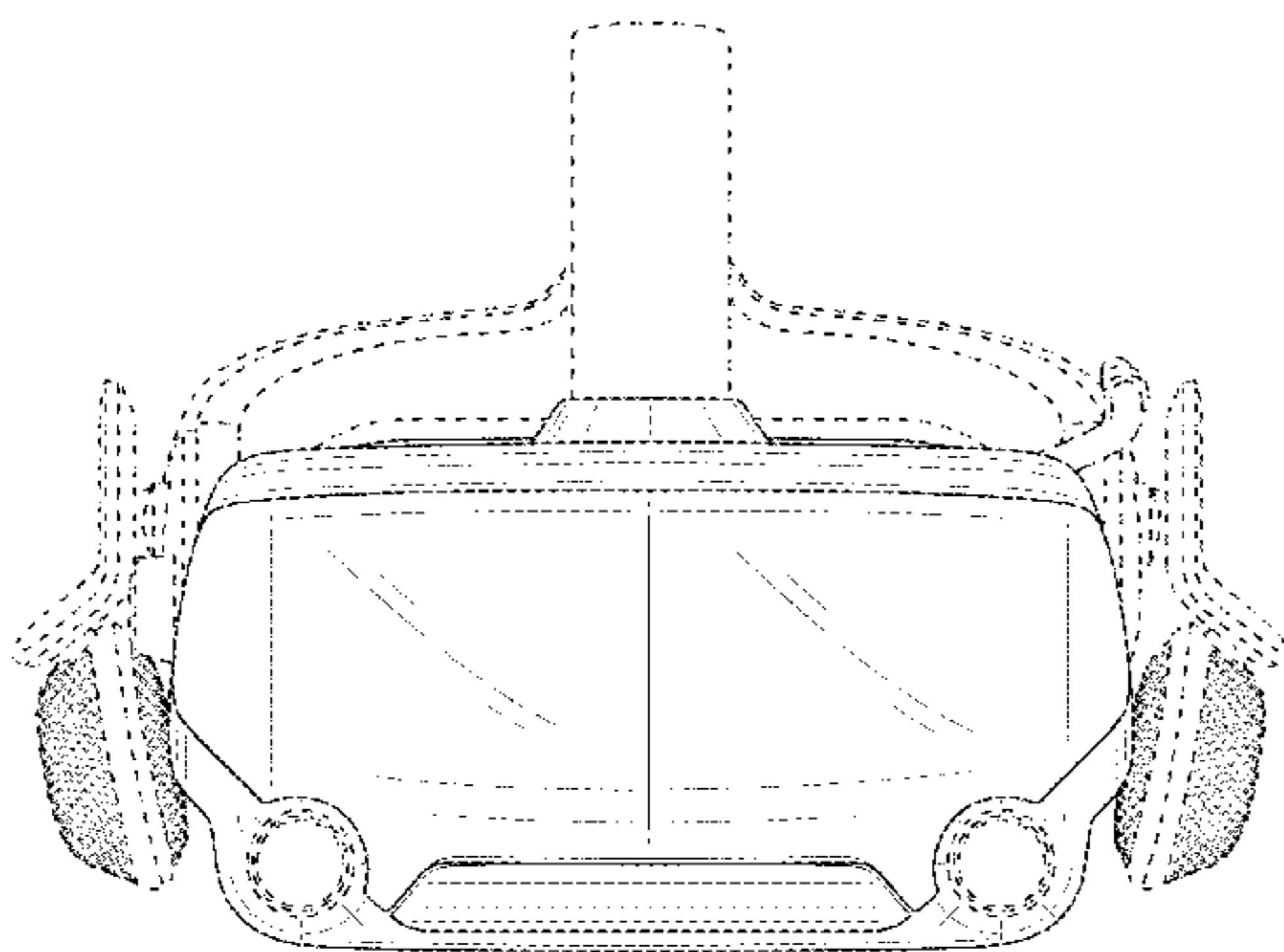
(57) **CLAIM**

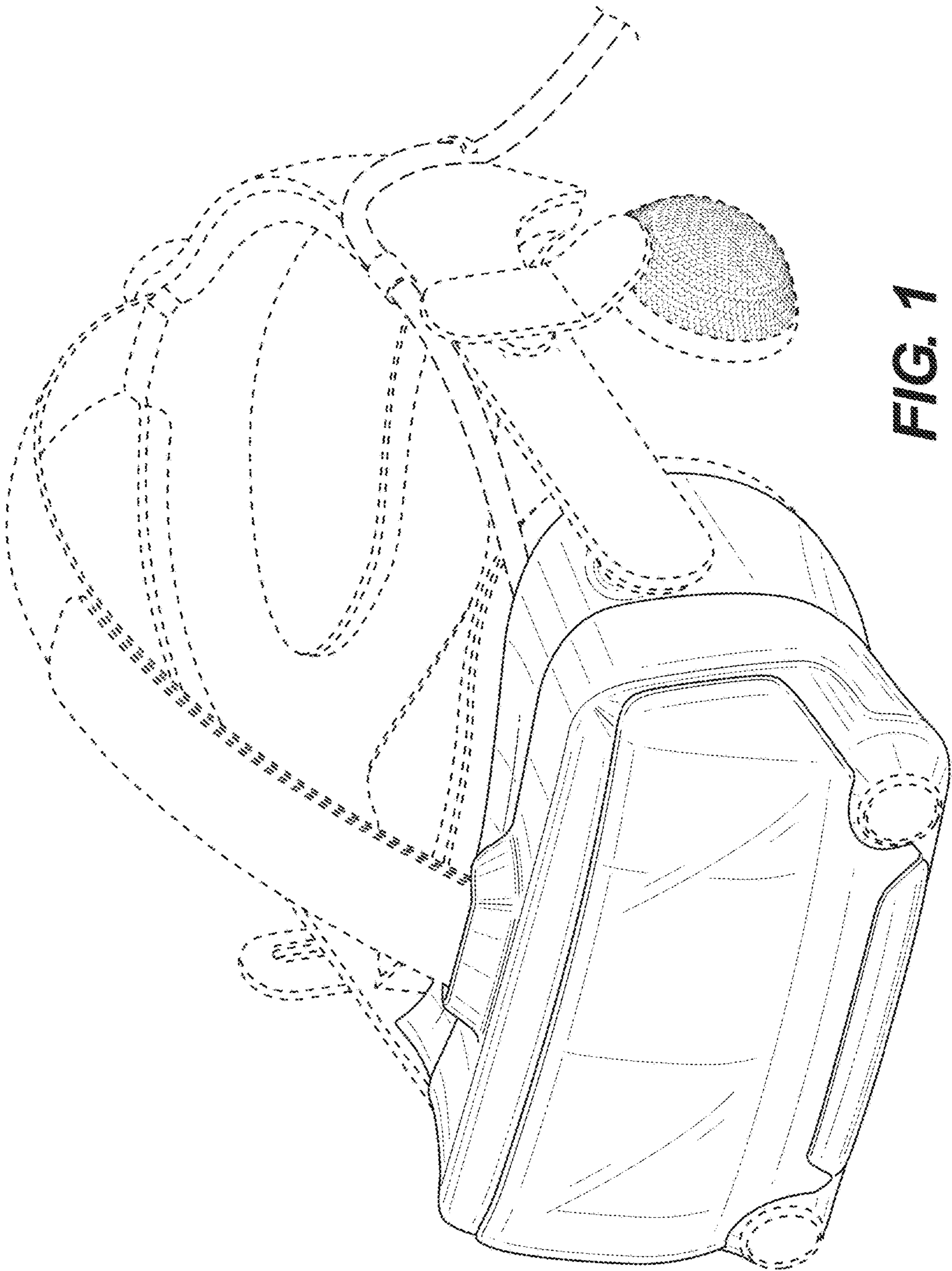
The ornamental design for a headset, as shown and described.

**DESCRIPTION**

FIG. 1 is a front perspective view of a headset; FIG. 2 is a front view thereof; FIG. 3 is a back view thereof; FIG. 4 is a right-side view thereof; FIG. 5 is a left-side view thereof; FIG. 6 is a top view thereof; and, FIG. 7 is a bottom view thereof. The short broken lines depict portions of the headset and form no part of the claimed design. The long broken lines depict environment of the headset and form no part of the claimed design.

**1 Claim, 7 Drawing Sheets**





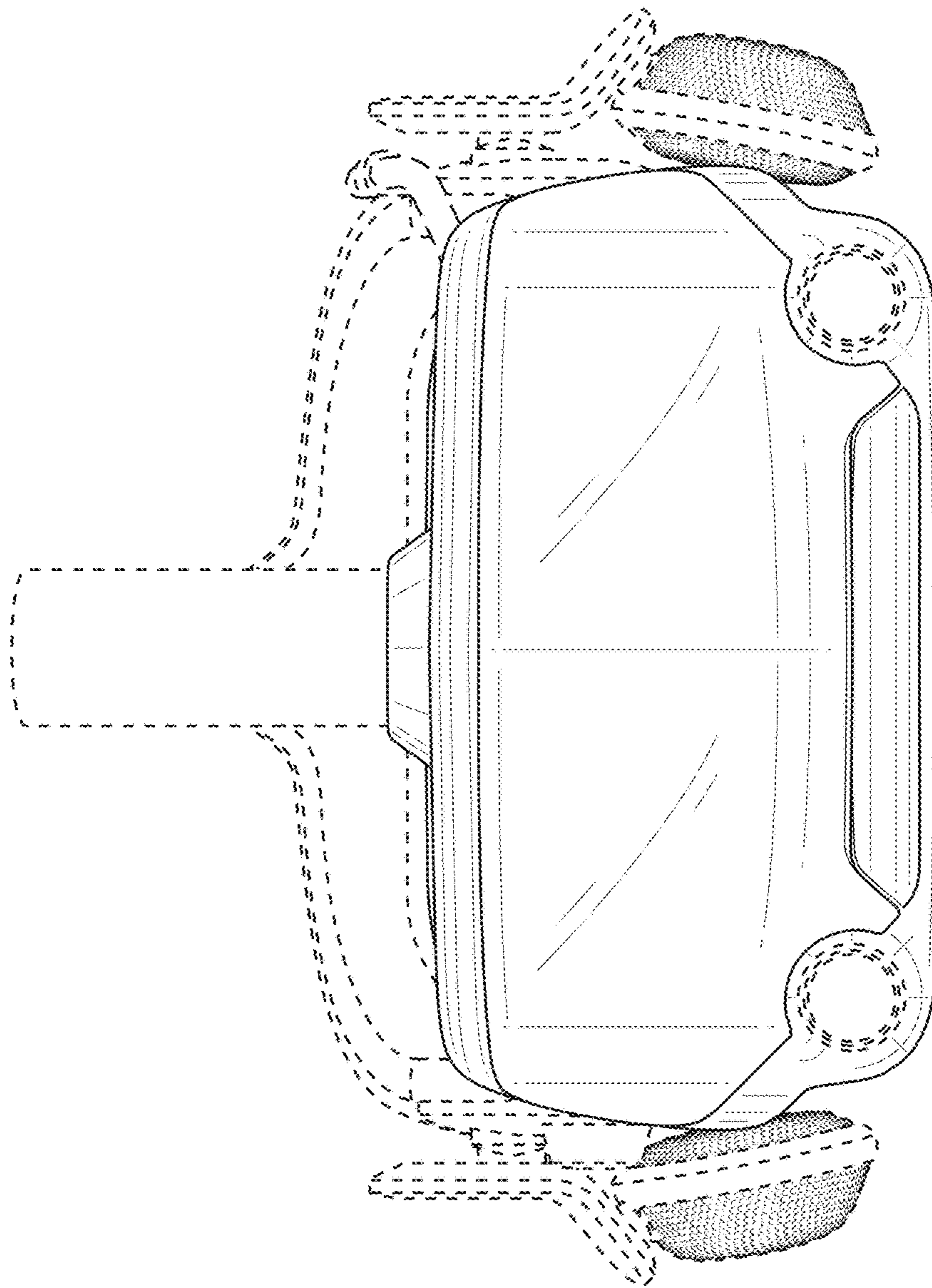
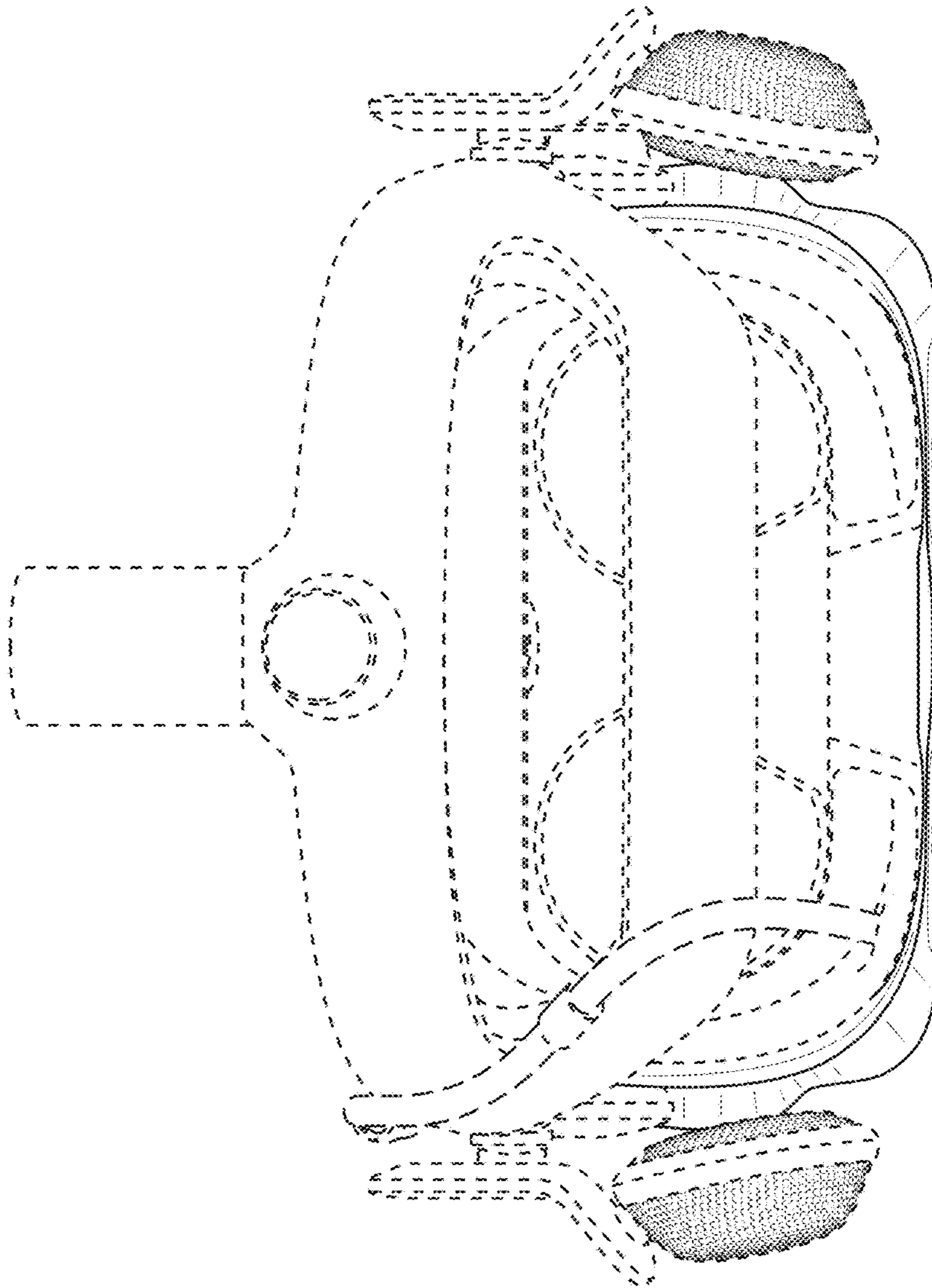
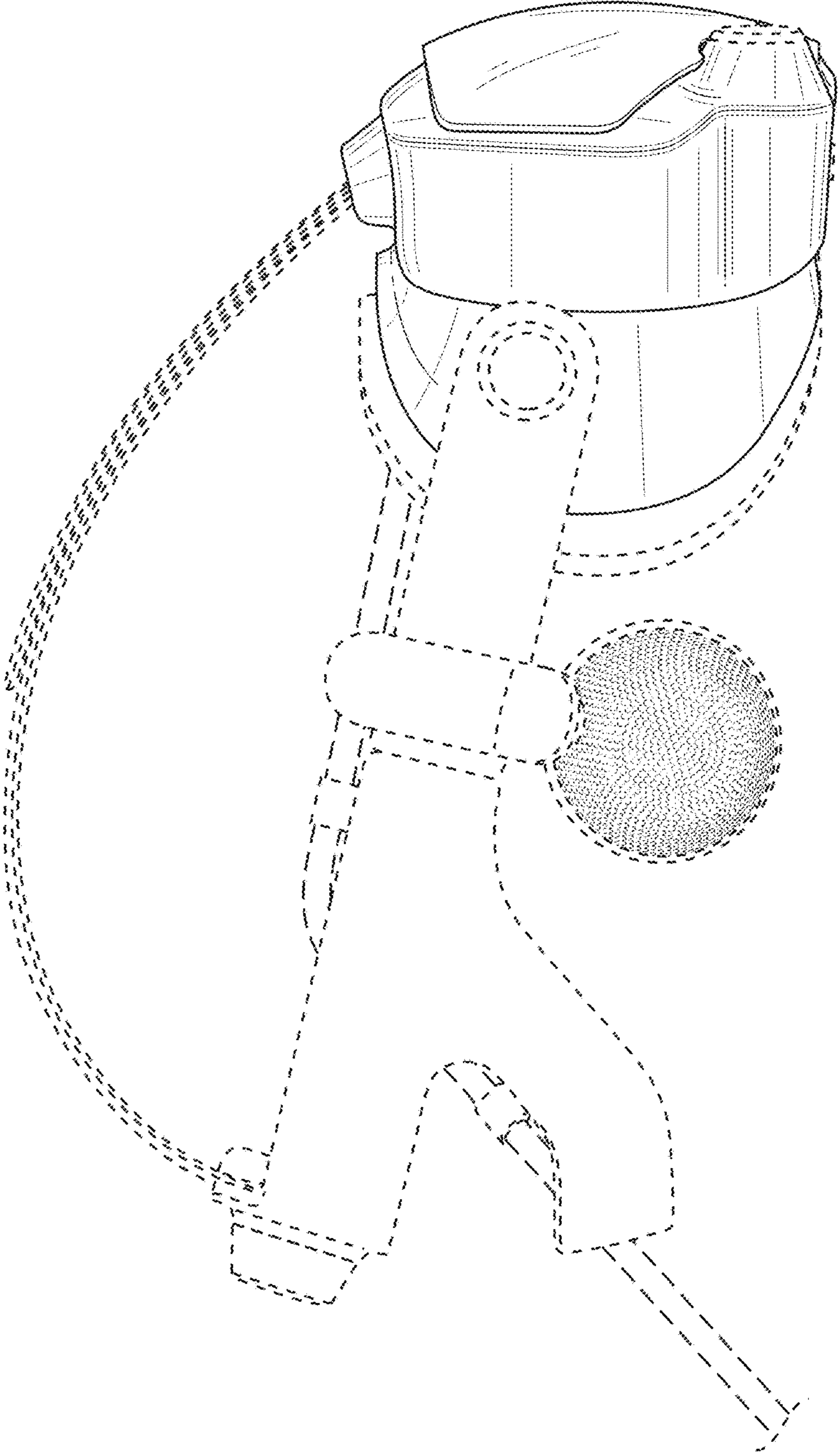


FIG. 2



**FIG. 3**



**FIG. 4**

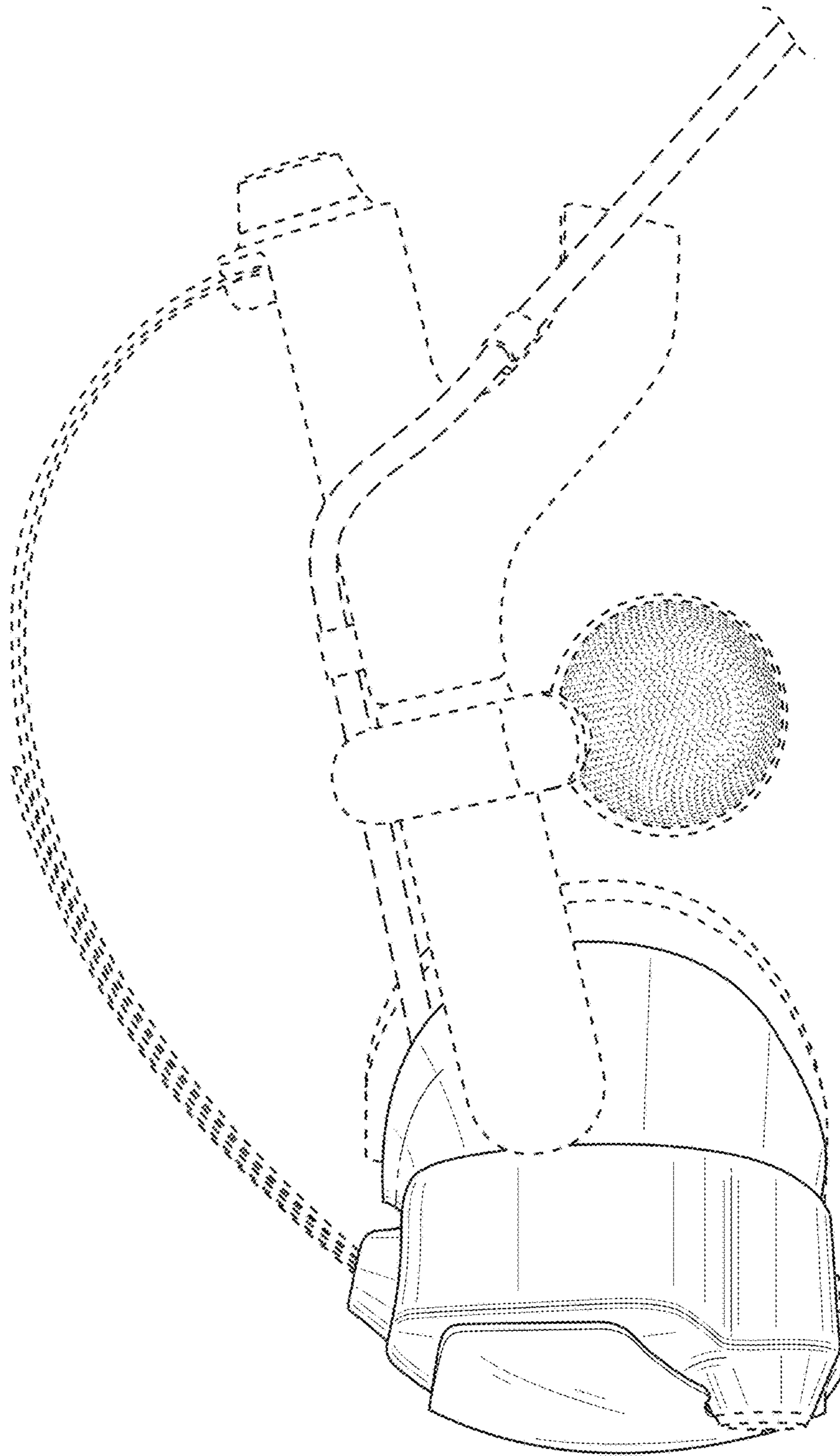
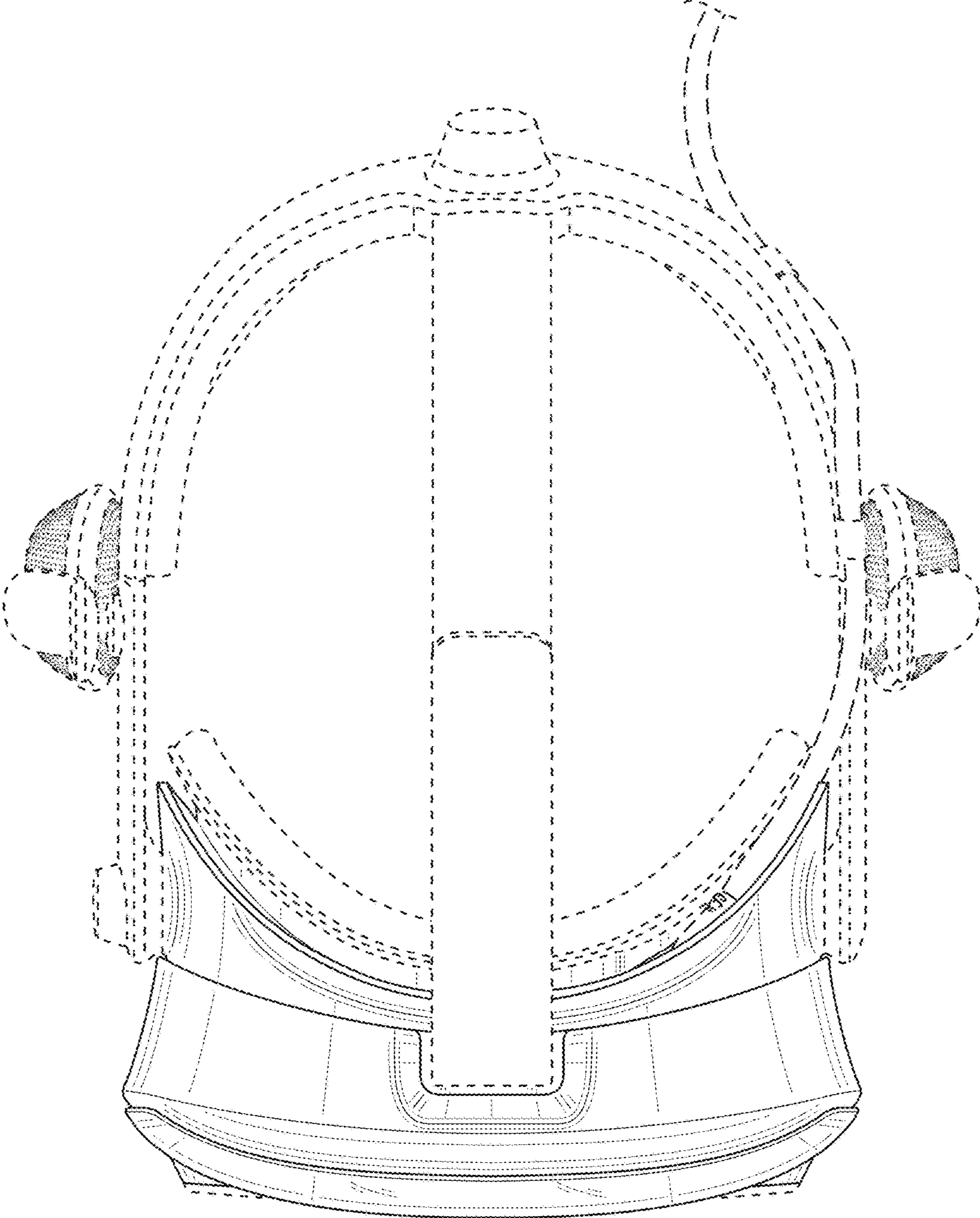
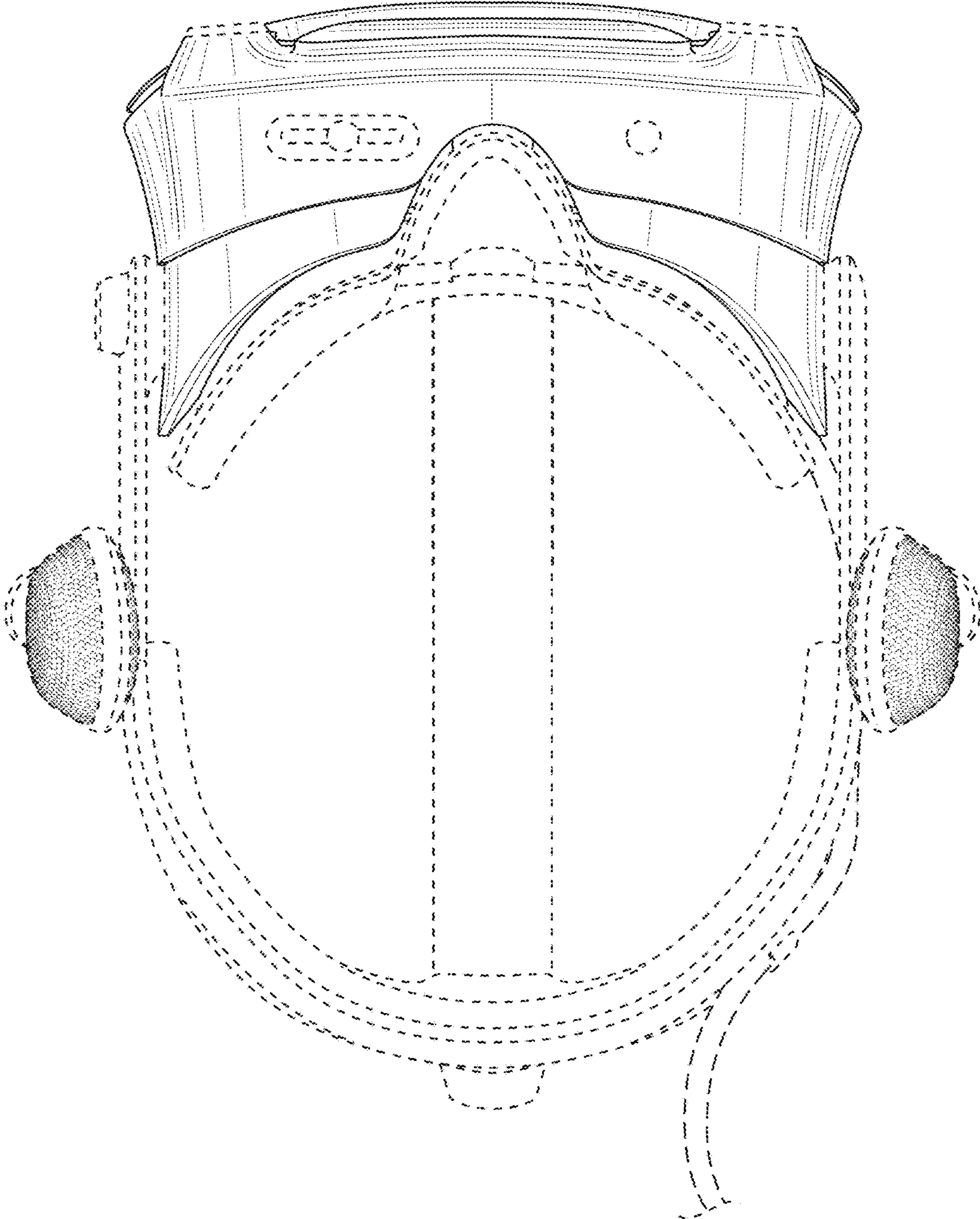


FIG. 5



**FIG. 6**



**FIG. 7**