



US00D857688S

(12) **United States Design Patent**  
**Ren**

(10) **Patent No.:** **US D857,688 S**

(45) **Date of Patent:** **\*\* Aug. 27, 2019**

(54) **COMBINED SMARTPHONE RING GRIP  
STAND CAR MOUNT**

(71) Applicant: **Weiwei Ren**, Guangdong (CN)

(72) Inventor: **Weiwei Ren**, Guangdong (CN)

(\*\*) Term: **15 Years**

(21) Appl. No.: **29/606,968**

(22) Filed: **Jun. 9, 2017**

(51) **LOC (12) Cl.** ..... **14-03**

(52) **U.S. Cl.**  
USPC ..... **D14/253**

(58) **Field of Classification Search**  
USPC ..... D14/144, 217, 224, 251-253, 434, 447,  
D14/451-452; D3/215, 218; D12/114,  
D12/177, 223, 400, 415, 417;  
D16/242-243; D11/2  
CPC .... F16M 13/022; F16M 11/041; F16M 13/00;  
F16M 13/02; F16M 11/10; A44C 9/003;  
A44C 9/0061  
See application file for complete search history.

(56) **References Cited**

**U.S. PATENT DOCUMENTS**

3,866,873	A *	2/1975	Bohli	.....	F16B 11/006 102/406
D518,595	S *	4/2006	Morganfield, Jr.	.....	D27/161
D590,386	S *	4/2009	Leith	.....	D14/248
7,661,567	B2 *	2/2010	Myers	.....	A45C 13/20 224/162
D641,154	S *	7/2011	Smith	.....	D3/218
D660,305	S *	5/2012	Ho	.....	D14/447
D667,004	S *	9/2012	Goodrich	.....	D14/253
D684,158	S *	6/2013	Derry	.....	D14/452
D701,857	S *	4/2014	Ding	.....	D14/253
D722,305	S *	2/2015	Lee	.....	D14/217
D737,264	S *	8/2015	Shamsadov	.....	D14/251
9,179,565	B2 *	11/2015	Cho	.....	H05K 7/00

D749,069	S *	2/2016	Senoff	.....	D14/251
D749,083	S *	2/2016	Senoff	.....	D14/451
D749,559	S *	2/2016	Senoff	.....	D14/251
D752,054	S *	3/2016	Baumann	.....	D14/447
9,397,717	B2 *	7/2016	Curran	.....	H04B 1/385
D765,662	S *	9/2016	Kang	.....	D14/251
D774,027	S *	12/2016	Roberts	.....	D14/250
D775,619	S *	1/2017	Tien	.....	D14/250
D782,488	S *	3/2017	Kim	.....	D14/447
9,891,504	B2 *	2/2018	Fromm	.....	F16M 11/041 361/679.01
2013/0279098	A1 *	10/2013	Cho	.....	H05K 7/00 248/346.06
2015/0257288	A1 *	9/2015	Livernois	.....	F16M 11/38

(Continued)

**OTHER PUBLICATIONS**

Kalulu 360 Degree Phone Finger Ring, date first available Apr. 9, 2017, site visited May 23, 2018, Copyright © 1996-2018, <<https://www.amazon.co.uk/Kalulu-Degree-Surface-Smartphones-Tablets/dp/B06Y673DH7>>.\*

(Continued)

*Primary Examiner* — Cathron C Brooks

*Assistant Examiner* — Sharon S Oum

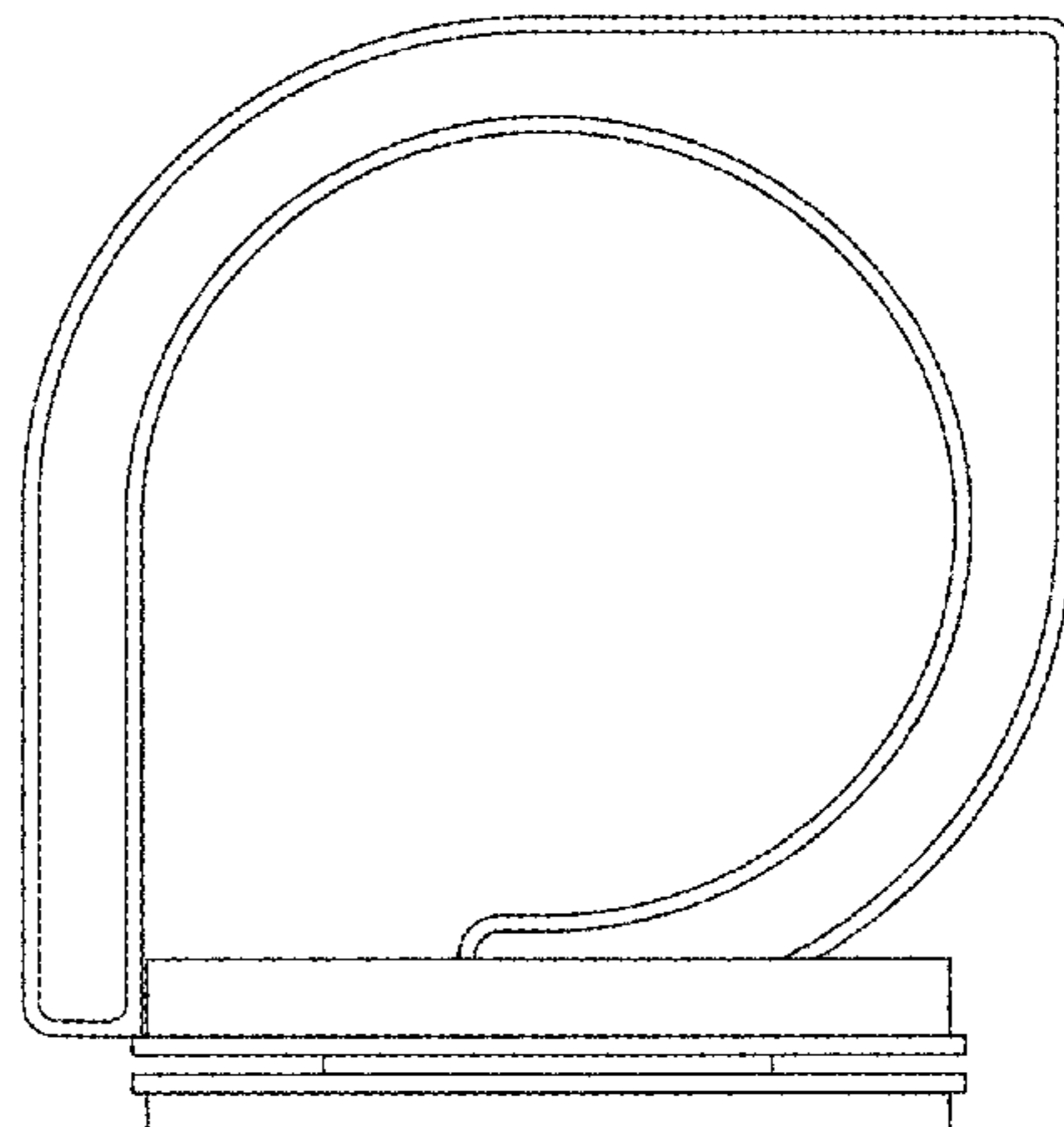
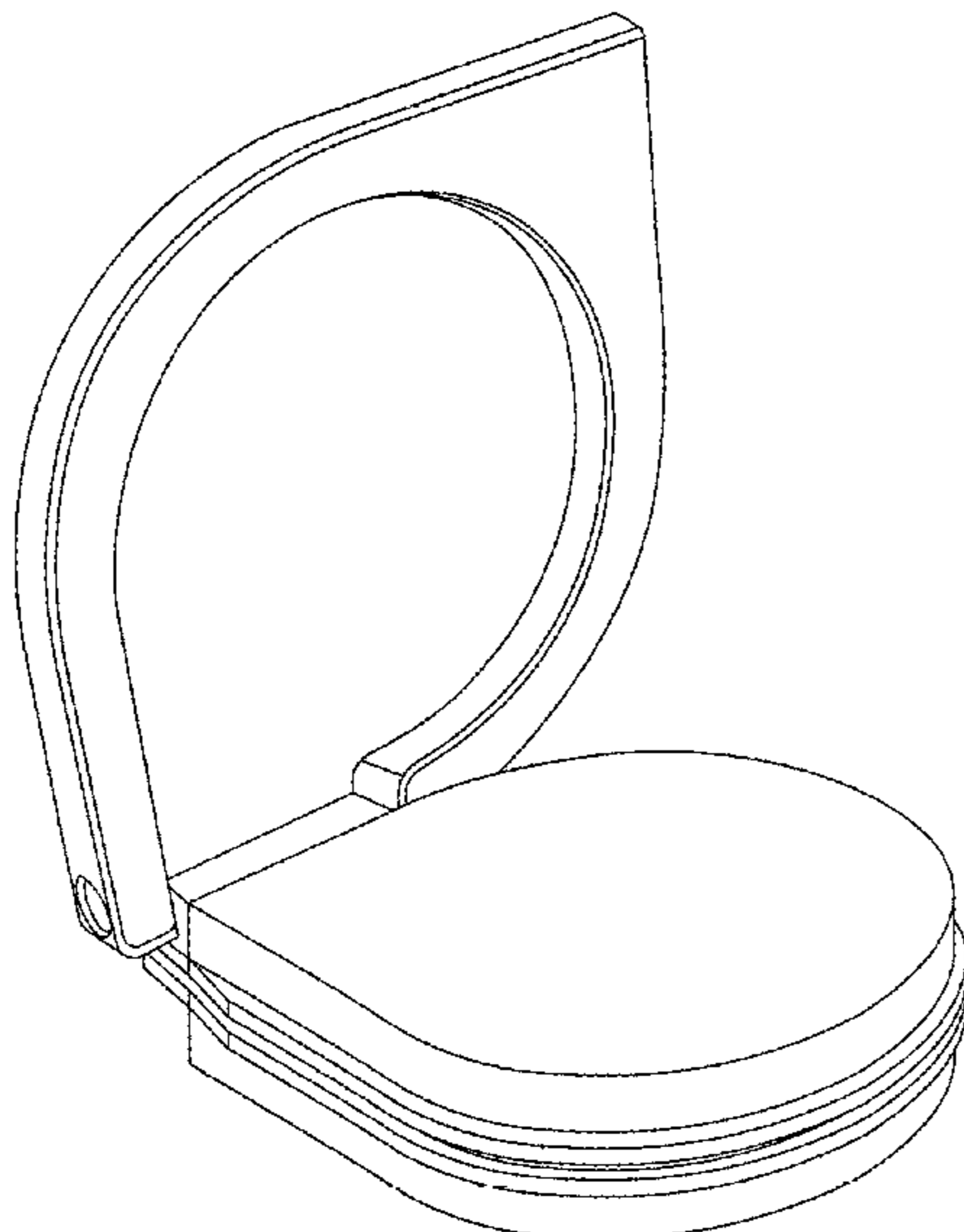
(57) **CLAIM**

The ornamental design for a combined smartphone ring grip stand car mount, as shown and described.

**DESCRIPTION**

FIG. 1 is a perspective view of a combined smartphone ring grip stand car mount showing my new design; FIG. 2 is a front elevational view thereof; FIG. 3 is a rear elevational view thereof; FIG. 4 is a left side elevational view thereof; FIG. 5 is a right side elevational view thereof; FIG. 6 is a top plan view thereof; and, FIG. 7 is a bottom plan view thereof.

**1 Claim, 7 Drawing Sheets**



(56)

**References Cited**

U.S. PATENT DOCUMENTS

2016/0076692 A1\* 3/2016 Sun ..... A47B 23/044  
248/461  
2017/0135234 A1\* 5/2017 Kim ..... E05D 3/022

OTHER PUBLICATIONS

Amazing Mobile cell phone Finger Ring Stand Holder Phone Ring  
Grip 360° C. Universal Grip—Black, date first available Apr. 22,  
2017, site visited Sep. 25, 2018, Copyright © 2008-2018, <[https://  
www.amazon.ca/AMAZING-Mobile-Finger-Holder-360%C2%  
B0Universal/dp/B06XKN3W3P](https://www.amazon.ca/AMAZING-Mobile-Finger-Holder-360%C2%B0Universal/dp/B06XKN3W3P)>.\*

\* cited by examiner

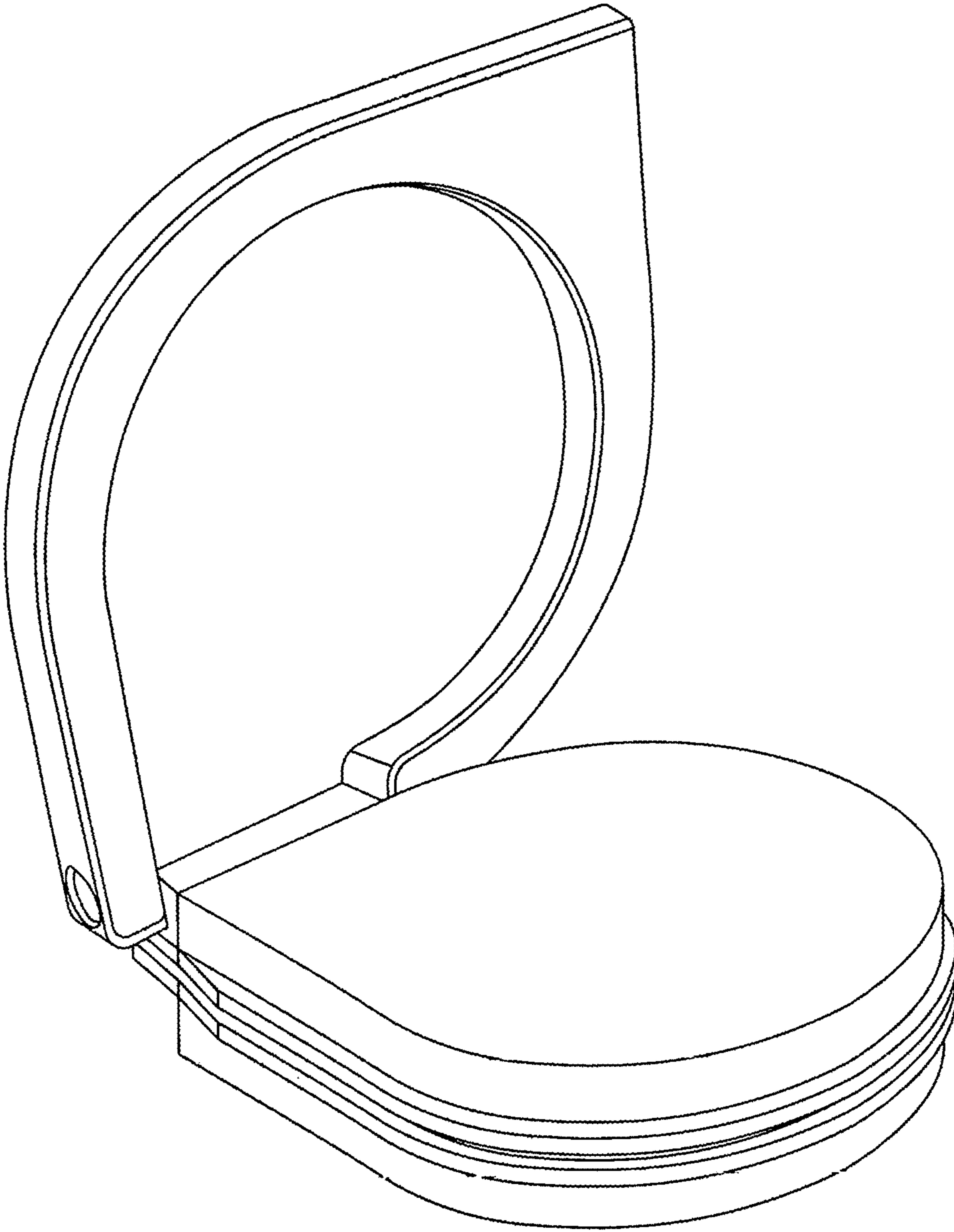


FIG.1

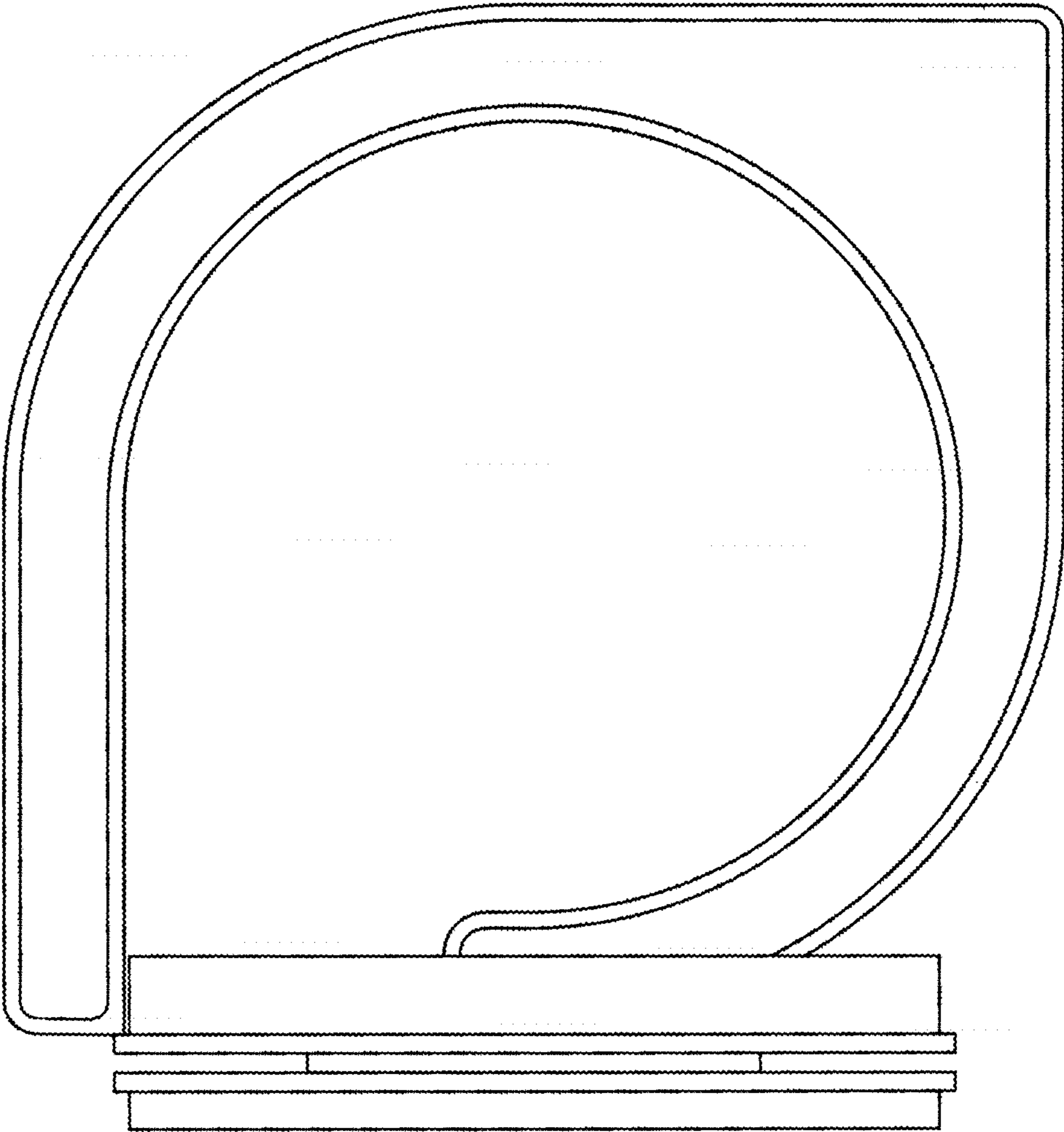


FIG.2

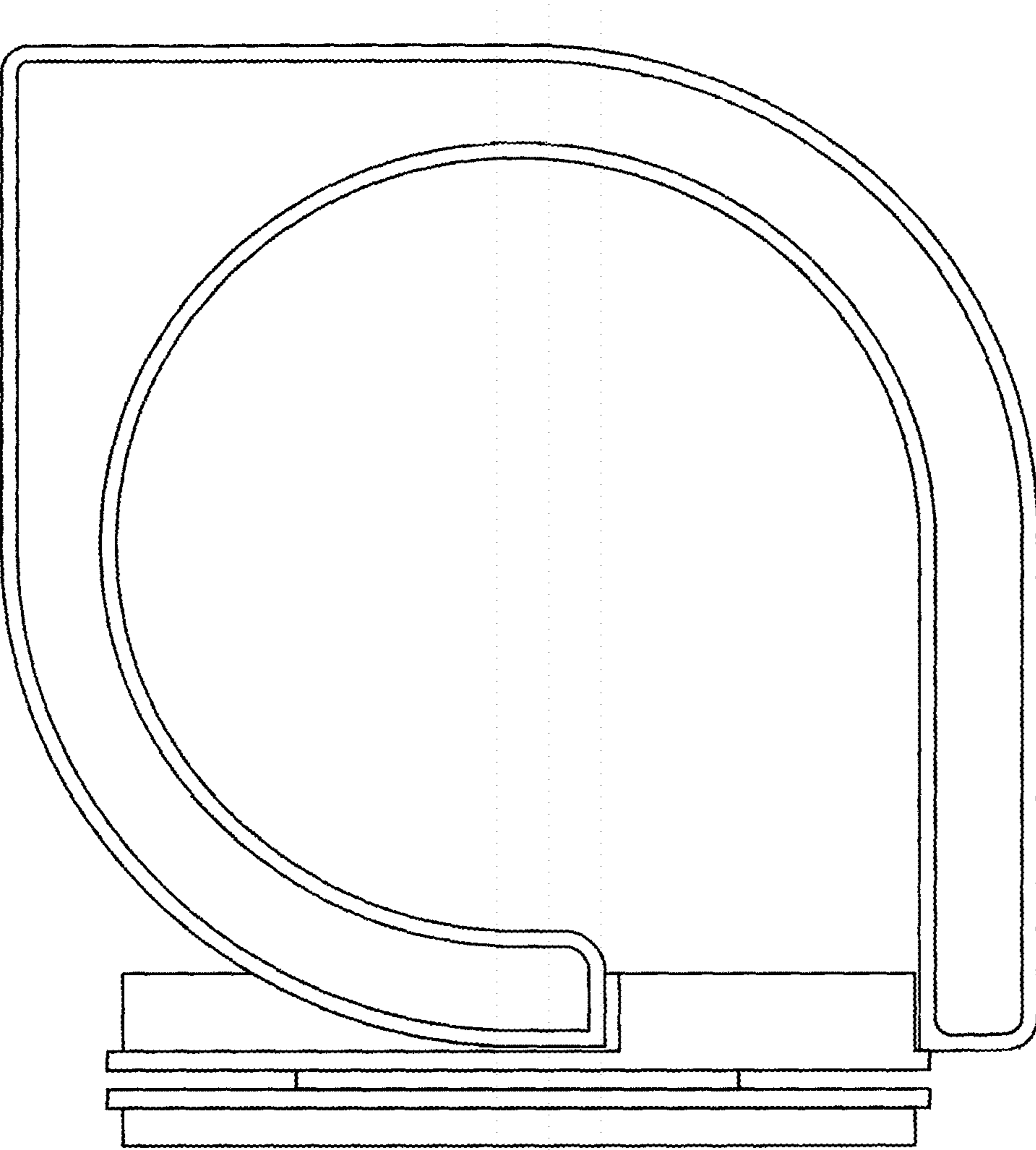


FIG.3

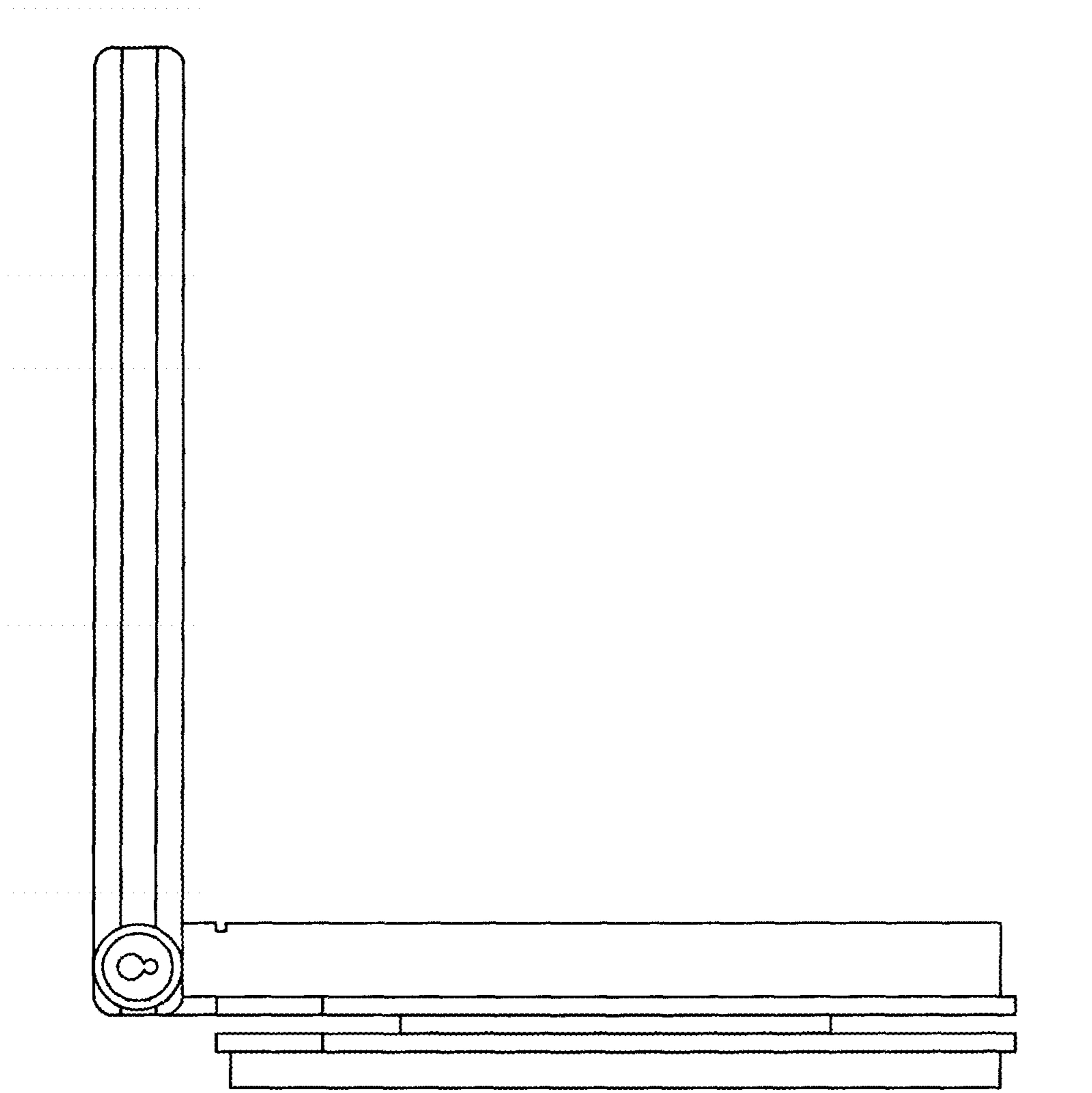


FIG.4



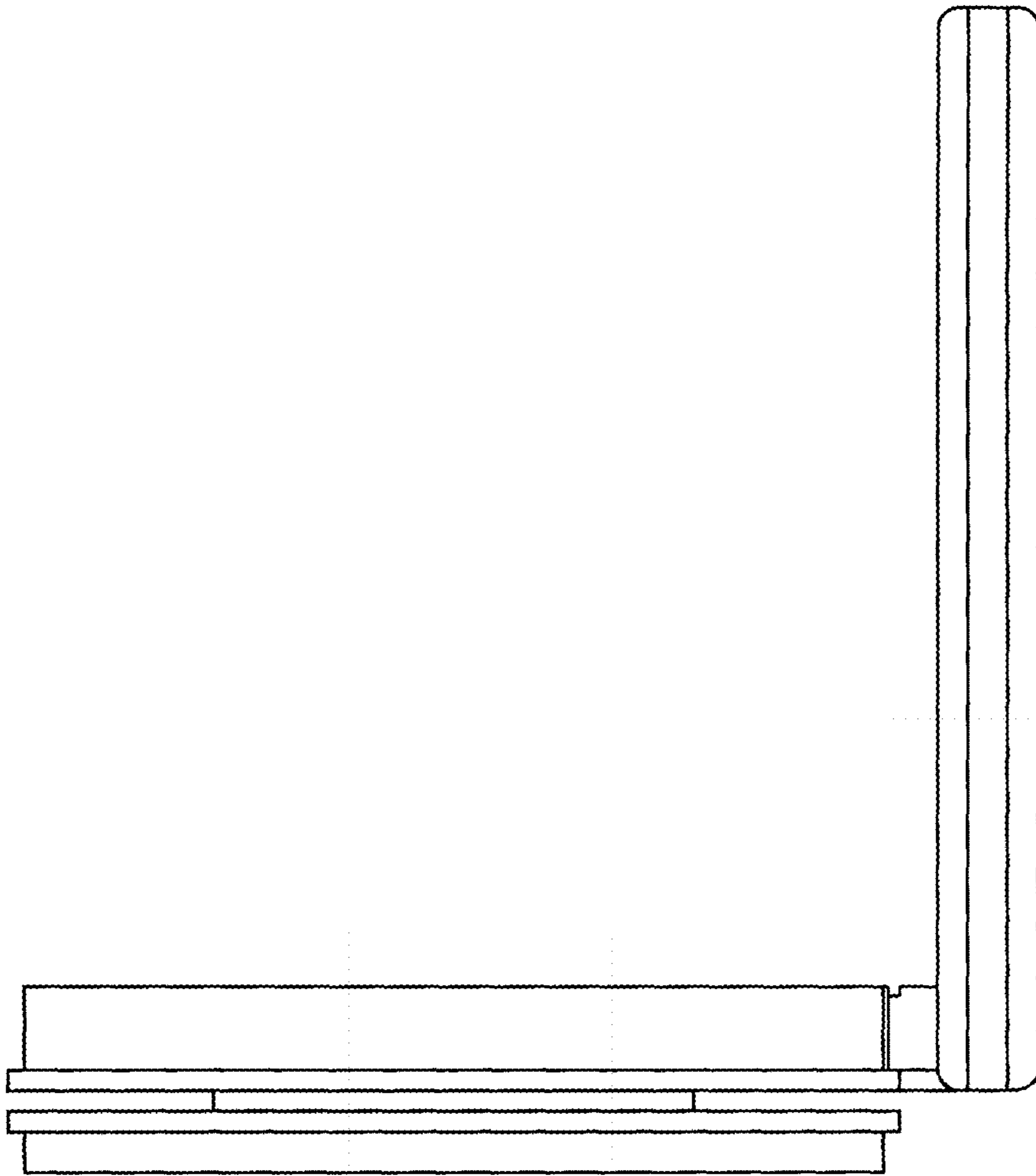
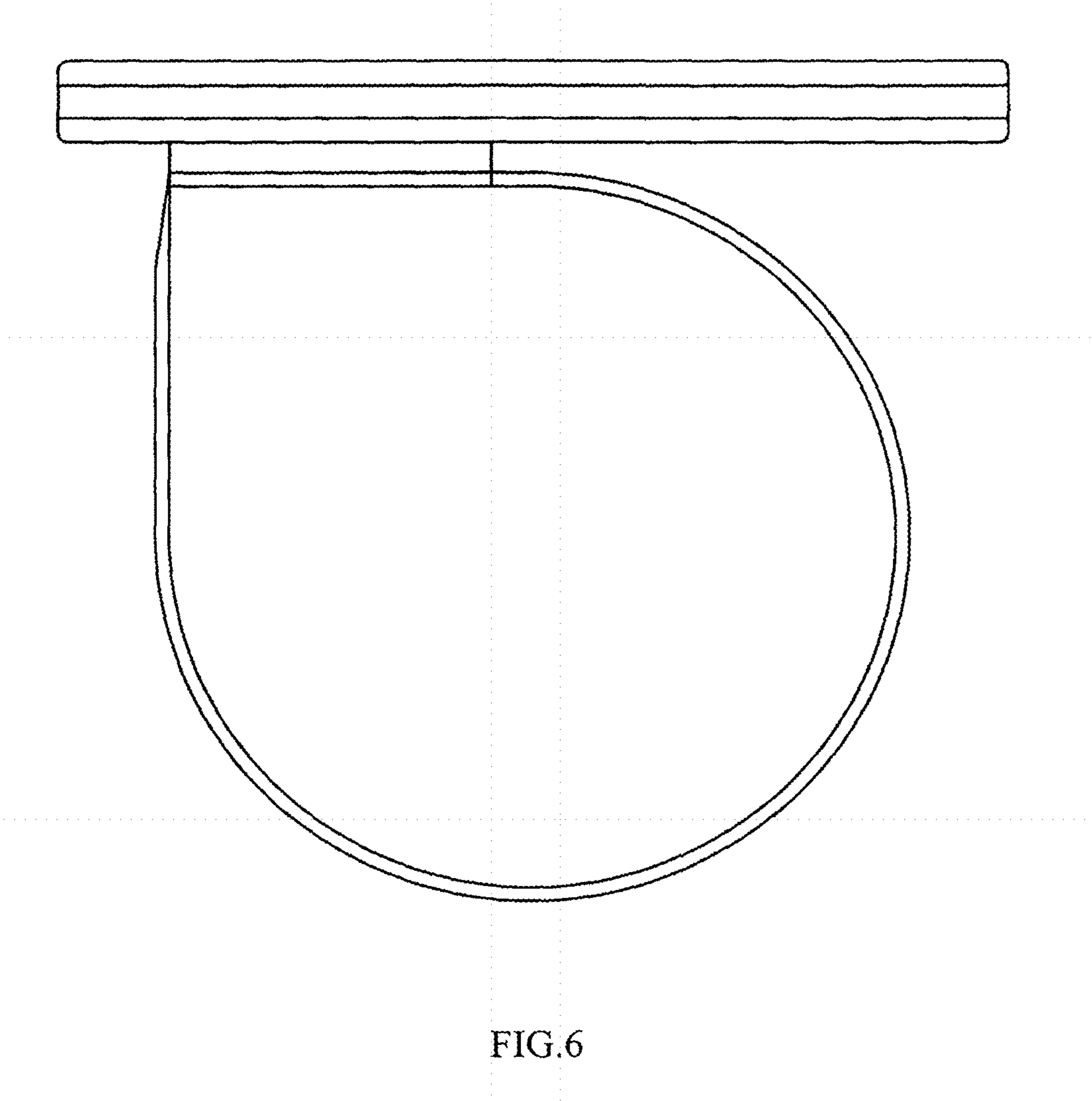


FIG.5





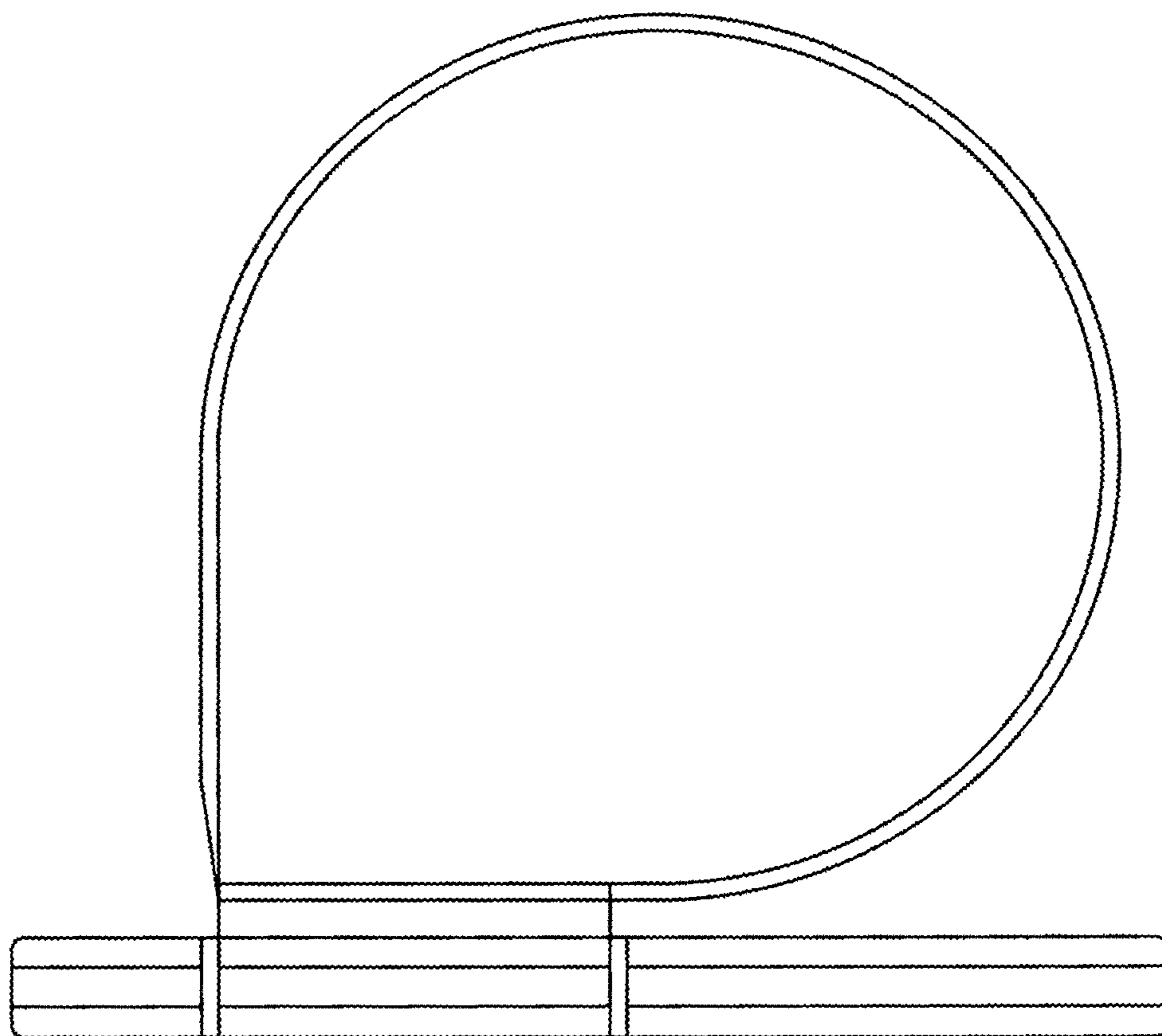


FIG. 7