



US00D857687S

(12) **United States Design Patent**
Frederick

(10) **Patent No.:** **US D857,687 S**

(45) **Date of Patent:** **** Aug. 27, 2019**

(54) **MAKEUP COMPACT CASE**

(71) Applicant: **YOLONDA'S FACE VALUE, INC.**,
Smyrna, GA (US)

(72) Inventor: **Yolonda Frederick**, Smyrna, GA (US)

(**) Term: **15 Years**

(21) Appl. No.: **35/001,273**

(22) Filed: **Oct. 1, 2016**

(80) **Hague Agreement Data**

Int. Filing Date: **Oct. 1, 2016**

Int. Reg. No.: **DM/096805**

Int. Reg. Date: **Oct. 1, 2016**

Int. Reg. Pub. Date: **Jul. 21, 2017**

(51) **LOC (12) Cl.** **14-03**

(52) **U.S. Cl.**

USPC **D14/250; D28/77**

(58) **Field of Classification Search**

USPC D14/248, 250, 439, 203.3-203.7, 217,
D14/240, 447, 251-253, 238.1, 440;
D28/76, 77, 83; D3/201, 218, 247, 269,
D3/273; D13/103, 107, 108, 119

CPC A45D 40/22; A45D 33/20; A45D 33/32;
A45D 33/006; A45D 33/008; A45C
11/008; A45C 1/06; A45C 2011/002;
A45C 11/00; A45C 13/02; Y10S 206/823;
H04B 1/3888; H04M 1/0283; H04M
1/0202; A45F 2005/026; A45F
2200/0525; A45F 2200/0516

See application file for complete search history.

(56) **References Cited**

U.S. PATENT DOCUMENTS

D470,627 S * 2/2003 Kuo D14/137
D515,244 S * 2/2006 Bae D28/83

7,050,767 B2 * 5/2006 Hickey G06F 1/1622
379/433.13
7,146,184 B1 * 12/2006 Tsitsiashvili A45C 15/04
455/550.1
D625,303 S * 10/2010 Kim D14/250
(Continued)

OTHER PUBLICATIONS

Makeup in a Phone Cover?! Glam or Ring Mobile Phone Case, announced Oct. 19, 2017 [online], [retrieved May 16, 2018]. Available from Internet, URL: <<https://www.youtube.com/watch?v=r5jcl2Q0ga8>>.*

(Continued)

Primary Examiner — Barbara Fox
Assistant Examiner — Dana K Weiland
(74) *Attorney, Agent, or Firm* — Im IP Law; C. Andrew Im; Chai Im

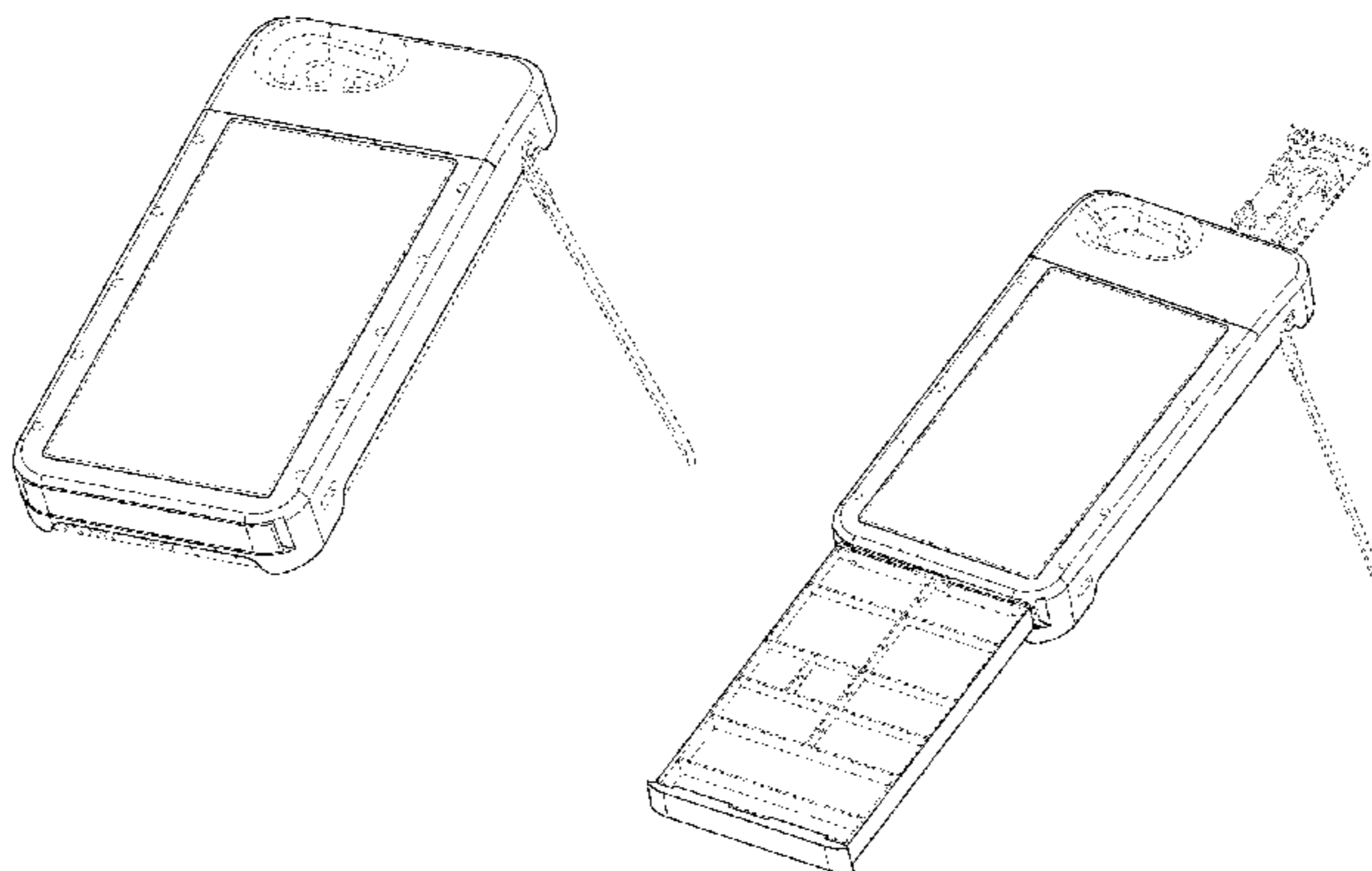
(57) **CLAIM**

The ornamental design for a makeup compact case, as shown and described.

DESCRIPTION

1.1 is a front view of a makeup compact case showing the new design;
1.2 is a back view thereof;
1.3 is a top view thereof;
1.4 is a bottom view thereof;
1.5 is a right side view thereof;
1.6 is a left side view thereof;
1.7 is a front, right perspective view thereof;
1.8 is an exploded front, right perspective view showing the tray for housing cosmetics and cards extended;
1.9 is a rear, left perspective view of the makeup compact case; and
1.10 is an exploded back, left perspective view showing the tray for housing cosmetics and cards extended.
The broken line showing a phone depict environment; the remaining broken lines depict portions of the makeup compact case and none of the broken lines form part of the claimed design.

(Continued)



The makeup compact case is used with a mobile phone and has a tray for housing cosmetics and cards.

1 Claim, 7 Drawing Sheets

(56)

References Cited

U.S. PATENT DOCUMENTS

7,905,238 B2 * 3/2011 Moon A45D 33/20
132/287
D654,069 S * 2/2012 Kwon D14/250
D655,046 S * 2/2012 Nakamura D28/83
D676,432 S * 2/2013 Hasbrook D14/250
8,418,852 B2 * 4/2013 Ziemba A45C 1/04
206/235
D681,620 S * 5/2013 Huskinson D14/250
D682,475 S * 5/2013 Owen D28/83
D688,654 S * 8/2013 Stevinson D14/250
8,522,795 B2 * 9/2013 Bouix A45D 33/008
132/212
8,573,395 B1 * 11/2013 Dafni A45C 11/00
206/235
D695,731 S * 12/2013 Adami D14/250
8,833,379 B1 * 9/2014 Kaplan A45D 33/26
132/287
D724,785 S * 3/2015 Frederick D14/250
D738,571 S * 9/2015 Lee D28/79
D745,507 S * 12/2015 Adami D14/250
D754,115 S * 4/2016 Lin D14/250
D763,240 S * 8/2016 Amit D14/250
D766,225 S * 9/2016 Williams D14/250
9,503,148 B2 * 11/2016 Meyer H04B 1/3888

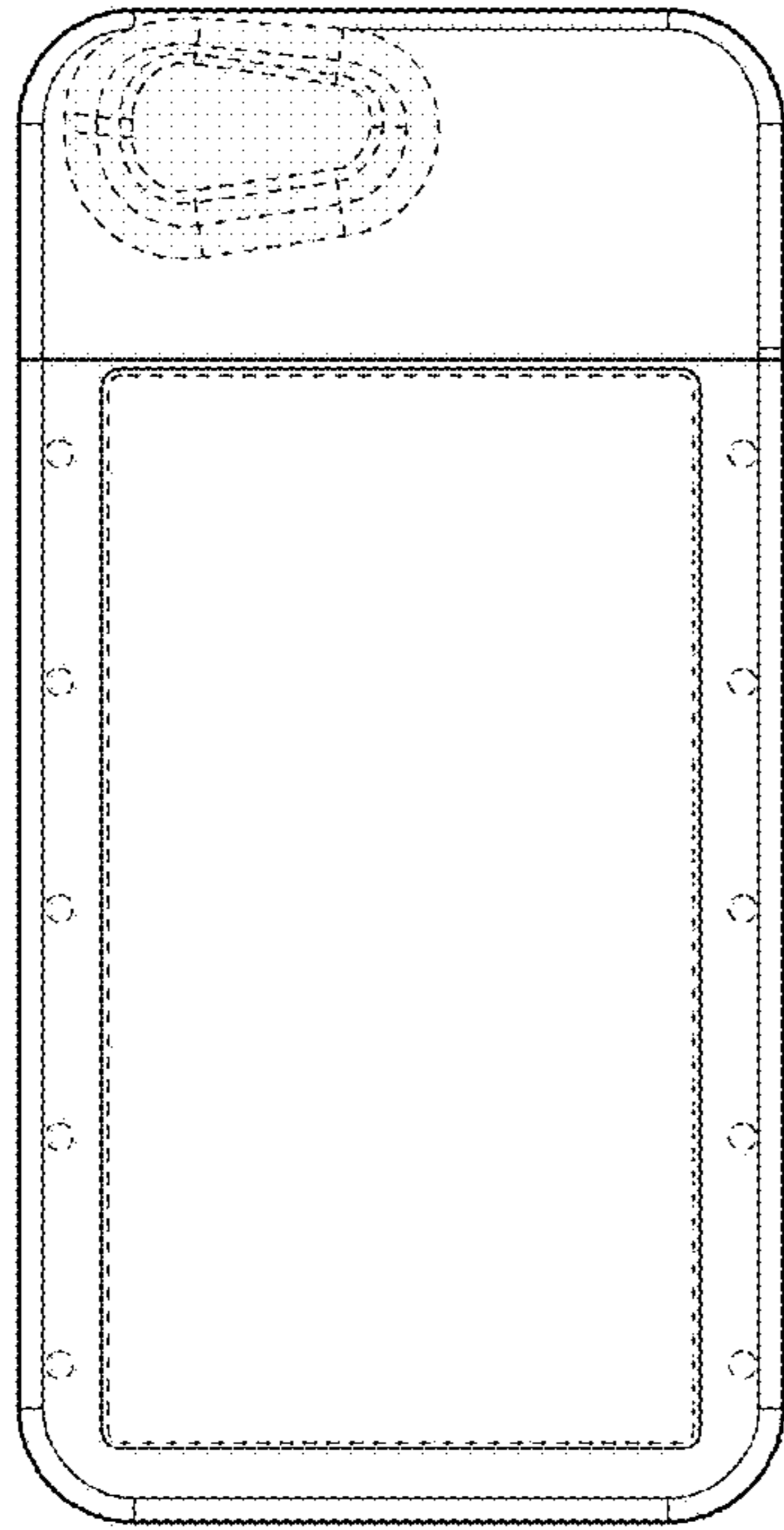
9,692,864 B1 * 6/2017 Arikat H04M 1/21
D802,575 S * 11/2017 Castro D14/250
9,876,523 B2 * 1/2018 Hodroj H04B 1/3888
D819,620 S * 6/2018 Parker D14/250
D830,357 S * 10/2018 Hori D14/250
D837,195 S * 1/2019 Kaiser D14/250
D837,775 S * 1/2019 Koo D14/250
D845,944 S * 4/2019 Gronewoller D14/250
2004/0206370 A1 * 10/2004 Byun A45D 33/20
132/287
2006/0112966 A1 * 6/2006 Phue A45C 1/04
132/296
2009/0166247 A1 * 7/2009 Gindi A45D 33/008
206/581
2010/0302716 A1 * 12/2010 Gandhi G06F 1/1624
361/679.01
2011/0077061 A1 * 3/2011 Danze H04M 1/185
455/575.1
2013/0157730 A1 * 6/2013 McCormac H04M 1/18
455/575.8
2013/0331156 A1 * 12/2013 Lui A45C 11/00
455/575.8
2015/0244407 A1 * 8/2015 Peral H04B 1/3888
455/575.8
2016/0014922 A1 * 1/2016 Banerjee A45C 7/0031
206/38

OTHER PUBLICATIONS

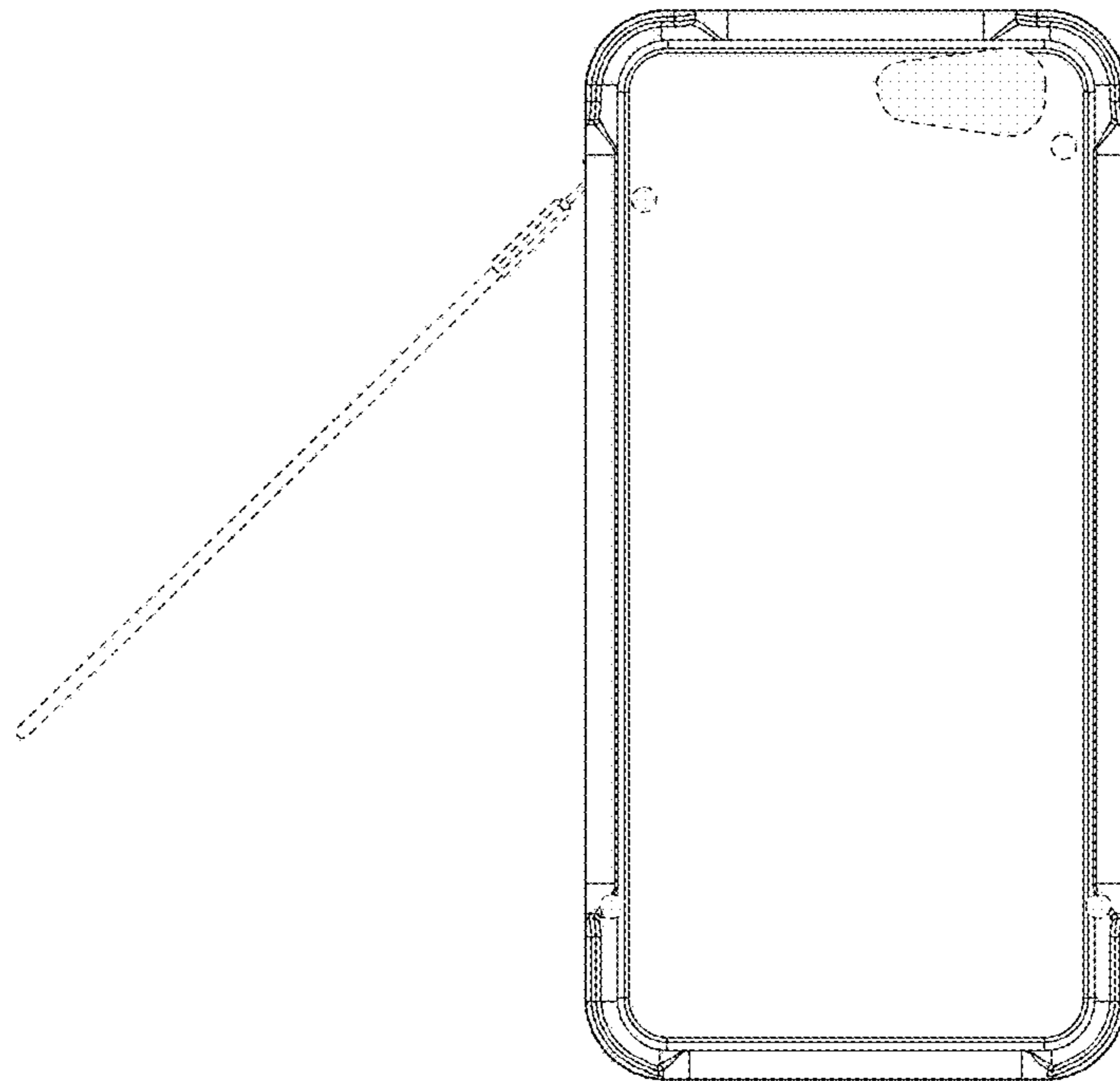
iPhone Case Makeup Palette—Toly Products, announced Mar. 3, 2016 [online], [retrieved May 16, 2018]. Available from Internet, URL: <<https://www.youtube.com/watch?v=pVrYcY4M9Us>>.*

* cited by examiner

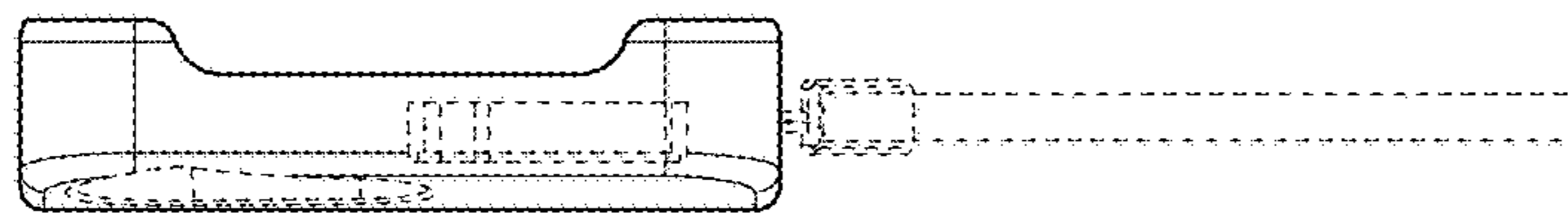
1.1



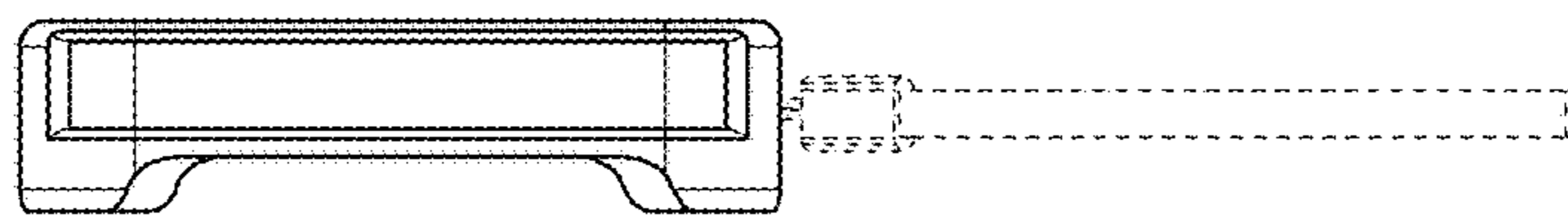
1.2



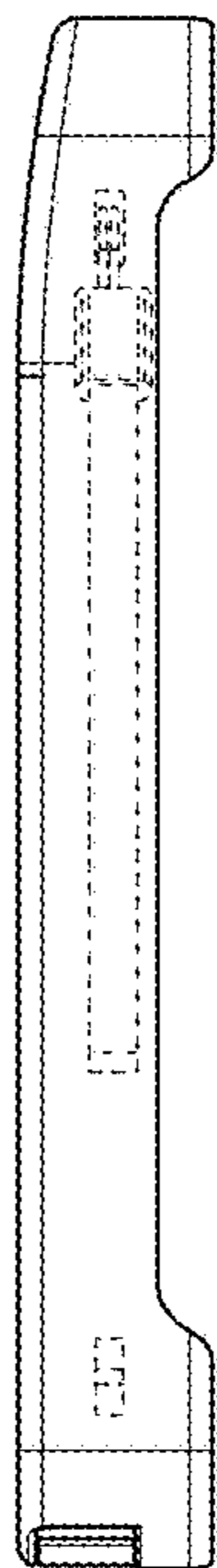
1.3



1.4



1.5



1.6

