



US00D857685S

(12) **United States Design Patent** (10) **Patent No.:** **US D857,685 S**
Ahn (45) **Date of Patent:** **** Aug. 27, 2019**

(54) **CASE FOR ELECTRONIC COMMUNICATIONS DEVICE**

(71) Applicant: **SPIGEN KOREA CO., LTD.**, Seoul (KR)

(72) Inventor: **Deok Hyun Ahn**, Seoul (KR)

(73) Assignee: **SPIGEN KOREA CO., LTD.**, Seoul (KR)

(**) Term: **15 Years**

(21) Appl. No.: **29/636,017**

(22) Filed: **Feb. 5, 2018**

(51) **LOC (12) Cl.** **14-03**

(52) **U.S. Cl.**
USPC **D14/250**

(58) **Field of Classification Search**
USPC D14/248, 439, 203.3–203.7, 447, 238.1,
D14/251–253, 217, 240, 250, 440;
(Continued)

(56) **References Cited**

U.S. PATENT DOCUMENTS

D619,361 S 7/2010 Andre
D637,589 S 5/2011 Willes et al.
(Continued)

OTHER PUBLICATIONS

“Spigen Neo Hybrid Galaxy S6 Case with Flexible Inner Protection and Reinforced Hard Bumper Frame for Galaxy S6 2015—Satin Silver”, <https://www.amazon.com/dp/B00QU4Q31A>, Earliest review date of Mar. 6, 2015, Downloaded on Dec. 18, 2018.

(Continued)

Primary Examiner — Carla J Wright

(74) *Attorney, Agent, or Firm* — Heedong Chae; Lucem, PC

(57) **CLAIM**

The ornamental design for a case for electronic communications device, as shown and described.

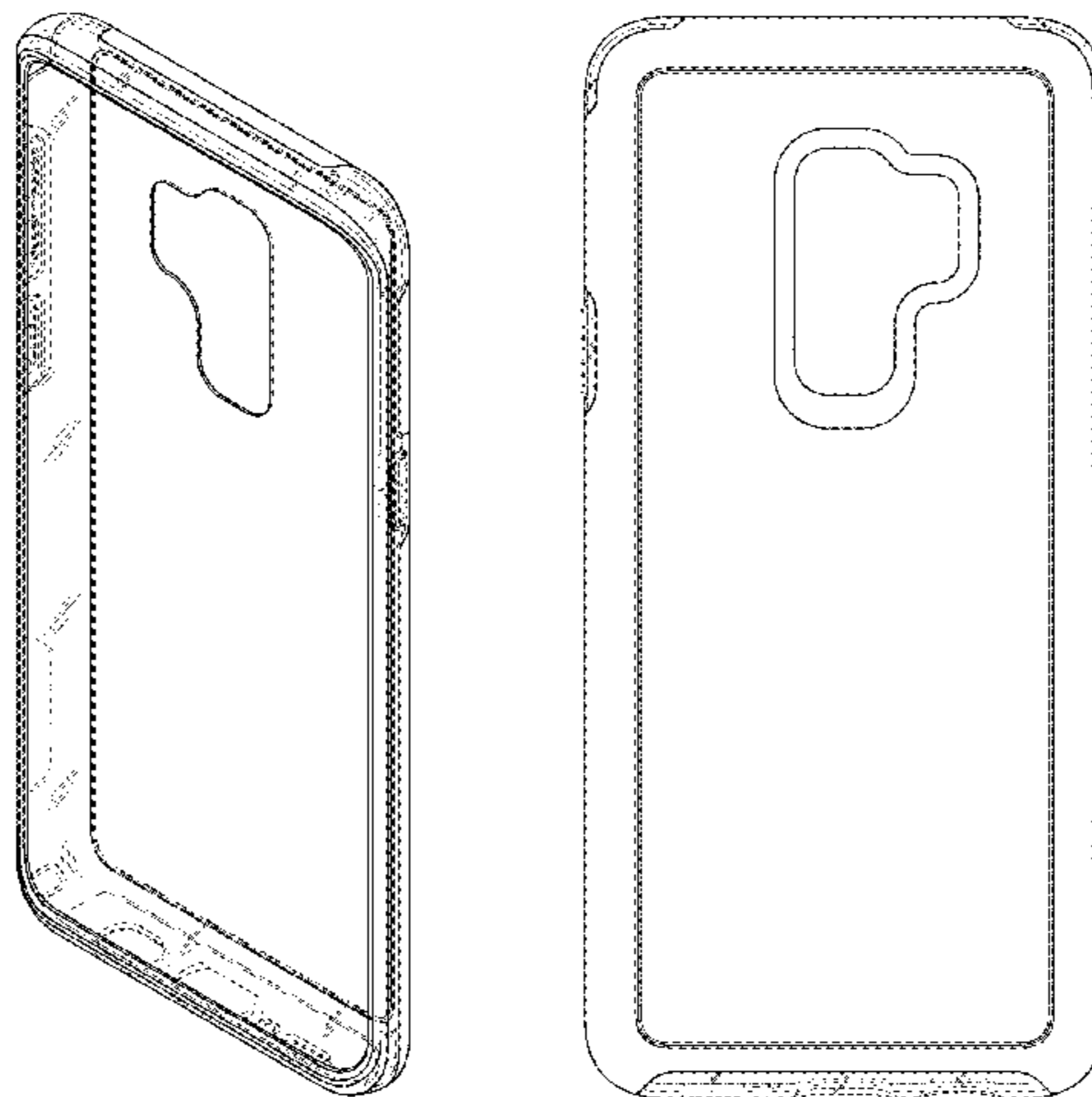
DESCRIPTION

FIG. 1 is a front perspective view of a case for electronic communications device showing my new design; FIG. 2 is a rear perspective view thereof; FIG. 3 is a front elevational view thereof; FIG. 4 is a rear elevational view thereof; FIG. 5 is a left side elevational view thereof; FIG. 6 is a right side elevational view thereof; FIG. 7 is a top plan view thereof; FIG. 8 is a bottom plan view thereof; FIG. 9 is a front perspective view showing the outer frame component of the case in isolation; FIG. 10 is a rear perspective view showing the outer frame component of the case in isolation; FIG. 11 is a front perspective view showing the inner shell component of the case in isolation; FIG. 12 is a rear perspective view showing the inner shell component of the case; FIG. 13 is an exploded front perspective view showing the components of the case separated; and, FIG. 14 is an exploded rear perspective view showing the components of the case separated.

For clarity of disclosure, the components of the case are shown in isolation in FIGS. 9-12 and separated in FIGS. 13-14. Although the case for electronic communications device, in which the claimed design is embodied, consists of an inner shell component and an outer frame component, the claim is directed to the overall ornamental appearance of the case for electronic communications device in its entirety and does not extend to the ornamental appearance of each of the individual components.

The broken lines throughout the drawing figures depict portions of the case for electronic communications device that form no part of the claimed design. The broken lines and regions bounded by broken lines form no part of the claimed design.

1 Claim, 14 Drawing Sheets



(58) **Field of Classification Search**

USPC D3/201, 218, 247, 269, 273, 301, 303;
 D13/103, 107–108, 119
 CPC H04B 1/3888; H04M 1/0283;
 H04M 1/0202; A45C 1/06; A45C
 2011/002; A45C 11/00; A45C 13/02;
 A45F 2005/026; A45F 2200/0525; A45F
 2200/0516

See application file for complete search history.

(56) **References Cited**

U.S. PATENT DOCUMENTS

D646,265 S 10/2011 Fathollahi
 D650,371 S 12/2011 Wibby
 D655,281 S 3/2012 Turocy
 D662,924 S * 7/2012 Melanson D14/250
 D673,547 S 1/2013 Melanson et al.
 D681,615 S 5/2013 Fathollahi
 D699,716 S * 2/2014 Pan D14/250
 D703,646 S 4/2014 Fathollahi
 D705,768 S * 5/2014 Melanson D14/250
 D706,254 S 6/2014 Chang
 D709,062 S * 7/2014 Melanson D14/250
 D718,757 S 12/2014 Jaffee
 D718,758 S 12/2014 Jaffee
 D719,947 S * 12/2014 Kobayashi D14/250
 D721,360 S 1/2015 Laffon de Mazieres
 D721,694 S 1/2015 Lee et al.
 D731,472 S * 6/2015 Lee D14/250
 D739,394 S 9/2015 Rayner et al.
 D746,273 S 12/2015 Herbst
 D746,275 S 12/2015 Mohammad
 D746,805 S * 1/2016 Kim D14/250
 D749,535 S 2/2016 Joung
 D753,099 S 4/2016 Kim
 D762,200 S * 7/2016 Pan D14/250
 D763,841 S 8/2016 Kim
 D765,628 S 9/2016 Watt et al.
 D765,632 S * 9/2016 Northrup D14/250
 D765,633 S * 9/2016 Northrup D14/250
 D765,634 S 9/2016 McCray et al.
 D765,638 S 9/2016 Gaylord et al.
 D765,640 S 9/2016 Bulkley et al.
 D765,642 S * 9/2016 Bulkley D14/250
 D765,645 S 9/2016 Kim
 D771,608 S 11/2016 Kim
 D771,611 S * 11/2016 Chang D14/250
 D772,209 S 11/2016 Kim
 D772,857 S * 11/2016 Poon D14/250
 D773,445 S * 12/2016 Witter D14/250
 D775,614 S * 1/2017 Kim D14/250
 D775,619 S * 1/2017 Tien D14/250
 D776,104 S 1/2017 Tien
 D776,649 S 1/2017 Kim
 D777,155 S 1/2017 Kim
 D777,156 S 1/2017 Kim
 D777,160 S 1/2017 Kim
 D777,716 S 1/2017 Kim
 D778,897 S 2/2017 Kim
 D778,898 S 2/2017 Kim
 D780,164 S 2/2017 Lee
 D780,166 S 2/2017 Jian Ping
 D780,167 S 2/2017 Tien
 D781,834 S * 3/2017 Kim D14/250
 D781,835 S * 3/2017 Kim D14/250
 D781,836 S * 3/2017 Kim D14/250
 D786,851 S 5/2017 Kim
 D786,852 S 5/2017 Kim
 D786,854 S 5/2017 Kim
 D787,491 S 5/2017 Kim
 D787,492 S 5/2017 Kim
 D788,090 S 5/2017 Kim
 D789,344 S 6/2017 Kim
 D791,755 S 7/2017 Kim
 D792,394 S 7/2017 Lee et al.
 D795,237 S * 8/2017 Jung D13/108
 D796,497 S 9/2017 Kim

D796,498 S * 9/2017 Babichenko D14/250
 D797,094 S 9/2017 Kim
 D800,713 S 10/2017 Kim
 D801,326 S * 10/2017 Kim D14/250
 D802,574 S * 11/2017 Kim D14/250
 D803,206 S 11/2017 Kim
 D806,063 S 12/2017 Kim
 D808,377 S * 1/2018 Witter D14/250
 2011/0050606 A1 3/2011 Zhang
 2014/0221056 A1 * 8/2014 Gandhi H04B 1/3888
 455/575.8
 2015/0053583 A1 * 2/2015 McCormick A45C 11/00
 206/521
 2015/0335116 A1 11/2015 Kim
 2016/0101902 A1 4/2016 Kim
 2016/0204817 A1 7/2016 Kim
 2016/0269516 A1 9/2016 Kim
 2016/0285301 A1 9/2016 Kim
 2016/0374443 A1 12/2016 Kim
 2017/0150792 A1 6/2017 Kim
 2017/0230072 A1 8/2017 Kim

OTHER PUBLICATIONS

“Spigen Neo Hybrid Galaxy S6 Edge Case with Flexible Inner Protection and Reinforced Hard Bumper Frame for Galaxy S6 Edge 2015—Gunmetal”, <https://www.amazon.com/dp/B00SV635BG>, Earliest review date of Mar. 19, 2015, Downloaded on Dec. 18, 2018.
 “Spigen Neo Hybrid CC Galaxy S6 Case with Flexible Inner Casing and Reinforced Hard Bumper Frame for Galaxy S6 2015—Satin Silver”, <https://www.amazon.com/dp/B00UMDOZLU>, Earliest review date of Mar. 25, 2015, Downloaded on Dec. 18, 2018.
 “Spigen Neo Hybrid CC Galaxy S6 Edge Case with Flexible Inner Casing and Reinforced Hard Bumper Frame for Galaxy S6 Edge 2015—Blue Topaz”, <https://www.amazon.com/dp/B00USAPGKQ>, Earliest review date of Apr. 4, 2015, Downloaded on Dec. 18, 2018.
 “Spigen Neo Hybrid Carbon Galaxy S6 Edge Plus Case with Carbon Fiber Design and Reinforced Hard Bumper Frame for Galaxy S6 Edge Plus 2015—Dante Red”, <https://www.amazon.com/dp/B010MWHZS0>, Earliest review date of Aug. 18, 2015, Downloaded on Dec. 18, 2018.
 “Spigen Neo Hybrid Crystal Galaxy S7 Edge Case with Flexible Inner Casing and Reinforced Hard Bumper Frame for Samsung Galaxy S7 Edge 2016—Satin Silver”, <https://www.amazon.com/dp/B01A7IDQV4>, Earliest review date of Feb. 22, 2016, Downloaded on Dec. 18, 2018.
 “Spigen Neo Hybrid Galaxy S7 Case with Flexible Inner Protection and Reinforced Hard Bumper Frame for Samsung Galaxy S7 2016—Gunmetal”, <https://www.amazon.com/dp/B01B1I6J0E>, Earliest review date of Feb. 27, 2016, Downloaded on Dec. 18, 2018.
 “Spigen Neo Hybrid Galaxy S7 Edge Case with Flexible Inner Protection and Reinforced Hard Bumper Frame for Samsung Galaxy S7 Edge 2016—Satin Silver”, <https://www.amazon.com/dp/B01B1I6JMM>, Earliest review date of Feb. 27, 2016, Downloaded on Dec. 18, 2018.
 “Spigen Neo Hybrid Crystal Galaxy S7 Case with Flexible Inner Casing and Reinforced Hard Bumper Frame for Samsung Galaxy S7 2016—Champagne Gold”, <https://www.amazon.com/dp/B01B29WCOY>, Earliest review date of Mar. 3, 2016, Downloaded on Dec. 18, 2018.
 “Bentoben Heavy Duty Slim Shockproof Drop Protection 3 in 1 Hybrid Hard PC Covers Soft Rubber Bumper Protective Case for iPhone 8 Plus/7 Plus Cute Rose Gold”, <https://www.amazon.com/BENTOBEN-Shockproof-Protection-Hybrid-Protective/dp/B01LNLX9EI>, Earliest review date of Sep. 23, 2016, Downloaded on Mar. 18, 2019.
 “OtterBox Symmetry Series for Samsung Galaxy S8—Retail Packaging—Prickly Pear (Rosmarine/Mountain Range Green)”, <https://www.amazon.com/OtterBox-SYMMETRY-Samsung-Galaxy-Packaging/dp/B06XDYV3CQ>, Earliest review date of Apr. 15, 2017, Downloaded on Mar. 18, 2019.
 “OtterBox Symmetry Series Case for iPhone Xs & iPhone X—Retail Packaging—Aspen Gleam (Citrus/Sunflower)”, <https://www.>

(56)

References Cited

OTHER PUBLICATIONS

amazon.com/OtterBox-SYMMETRY-Case-iPhone-Packaging/dp/B07GKRLCLC, Earliest review date of Oct. 22, 2017, Downloaded on Mar. 18, 2019.

“Samsung Galaxy S8 case, i-Blason [Ares] Full-Body Rugged Clear Bumper Case with Built-in Screen Protector for Samsung Galaxy S8 2017 Release (Pink)”, <https://www.amazon.com/Samsung-i-Blason-Full-body-Protector-Release/dp/B076P5WBZQ>, Earliest review date of Nov. 3, 2017, Downloaded on Mar. 18, 2019.

* cited by examiner

FIG. 1

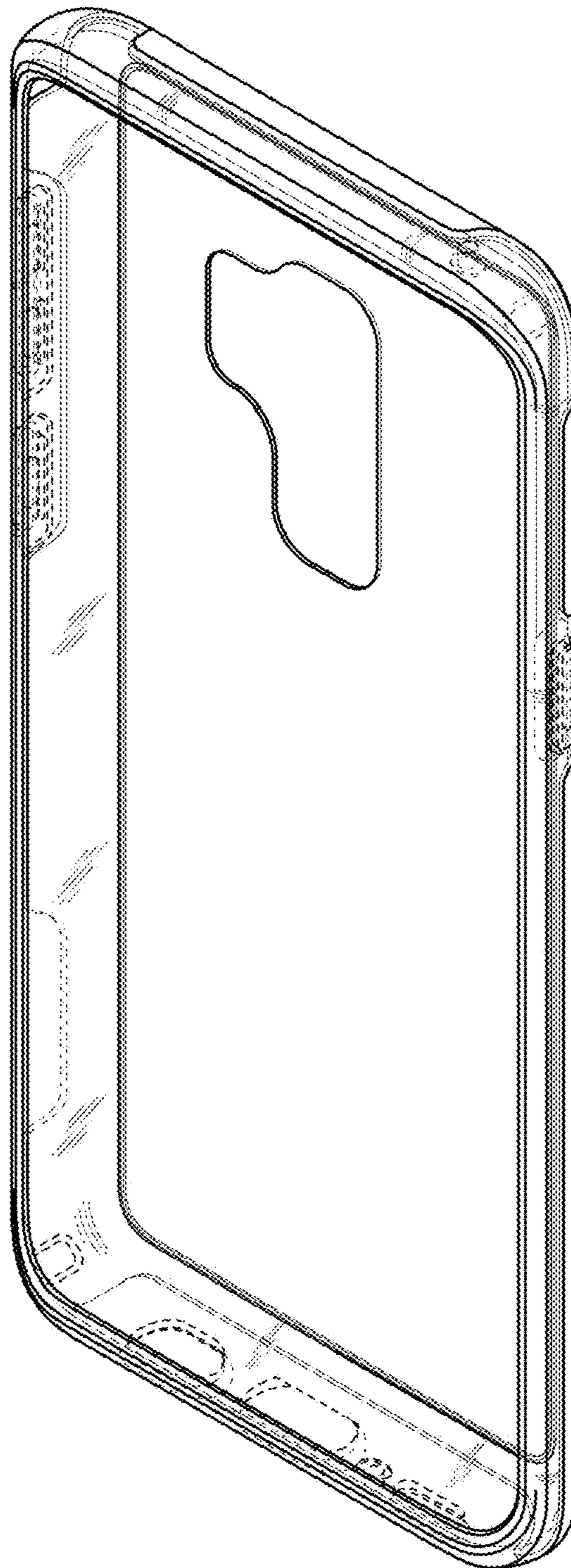


FIG. 2

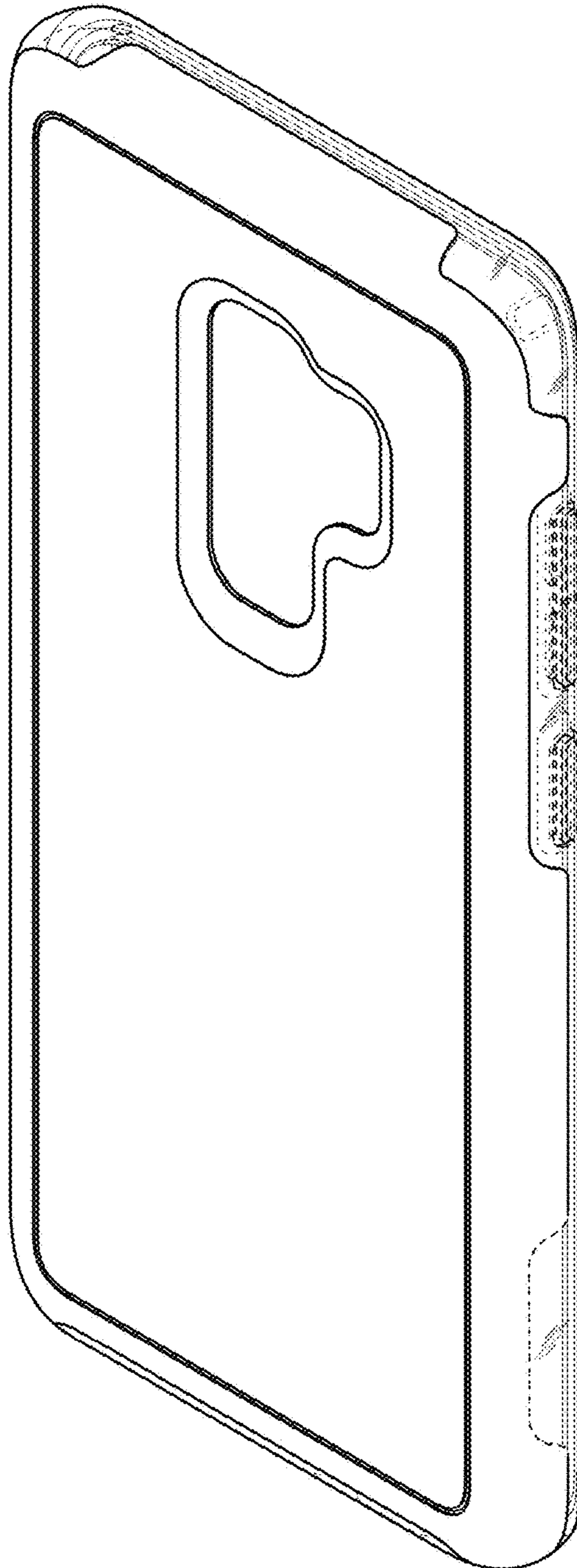


FIG. 3

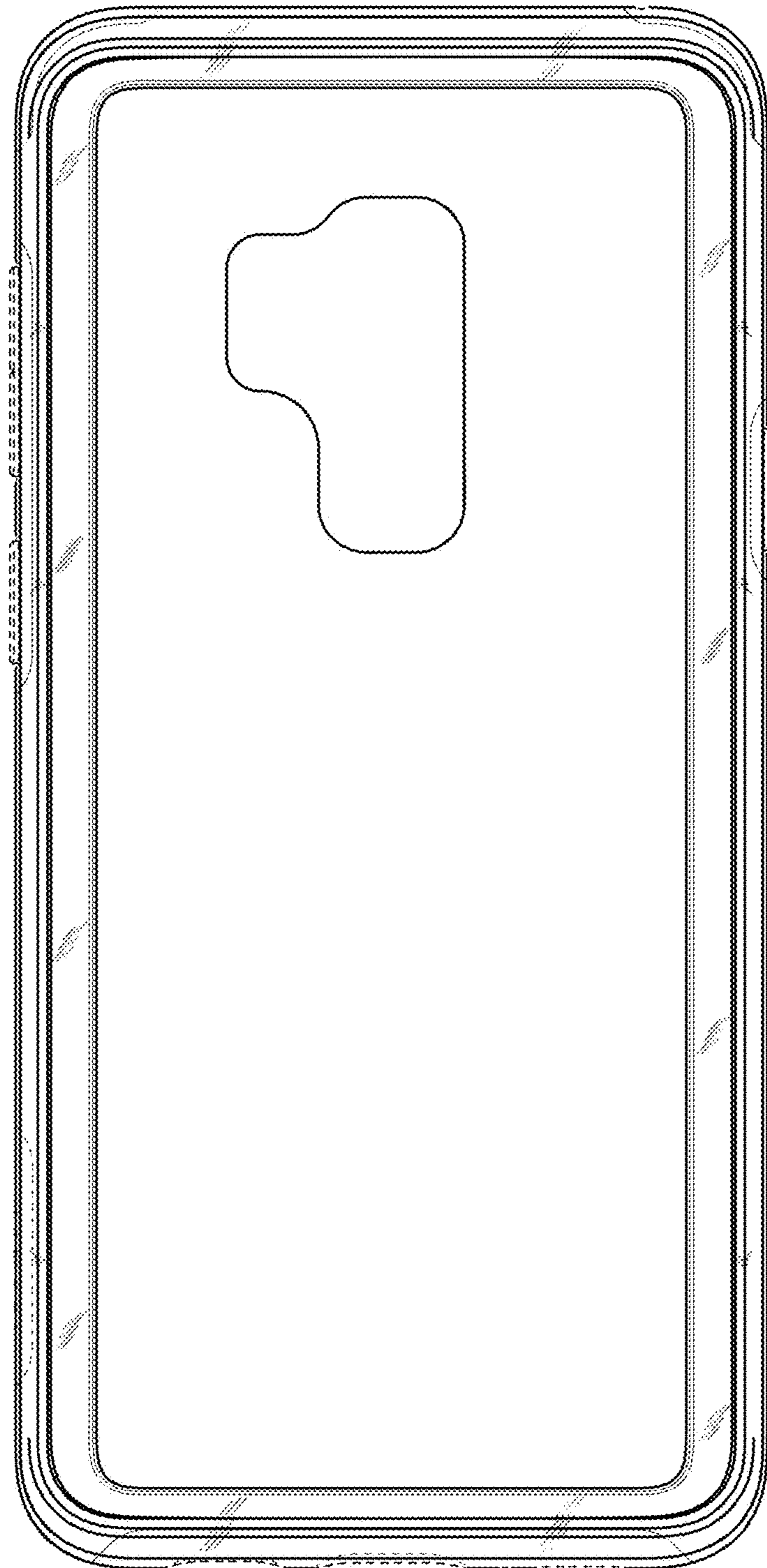


FIG. 4

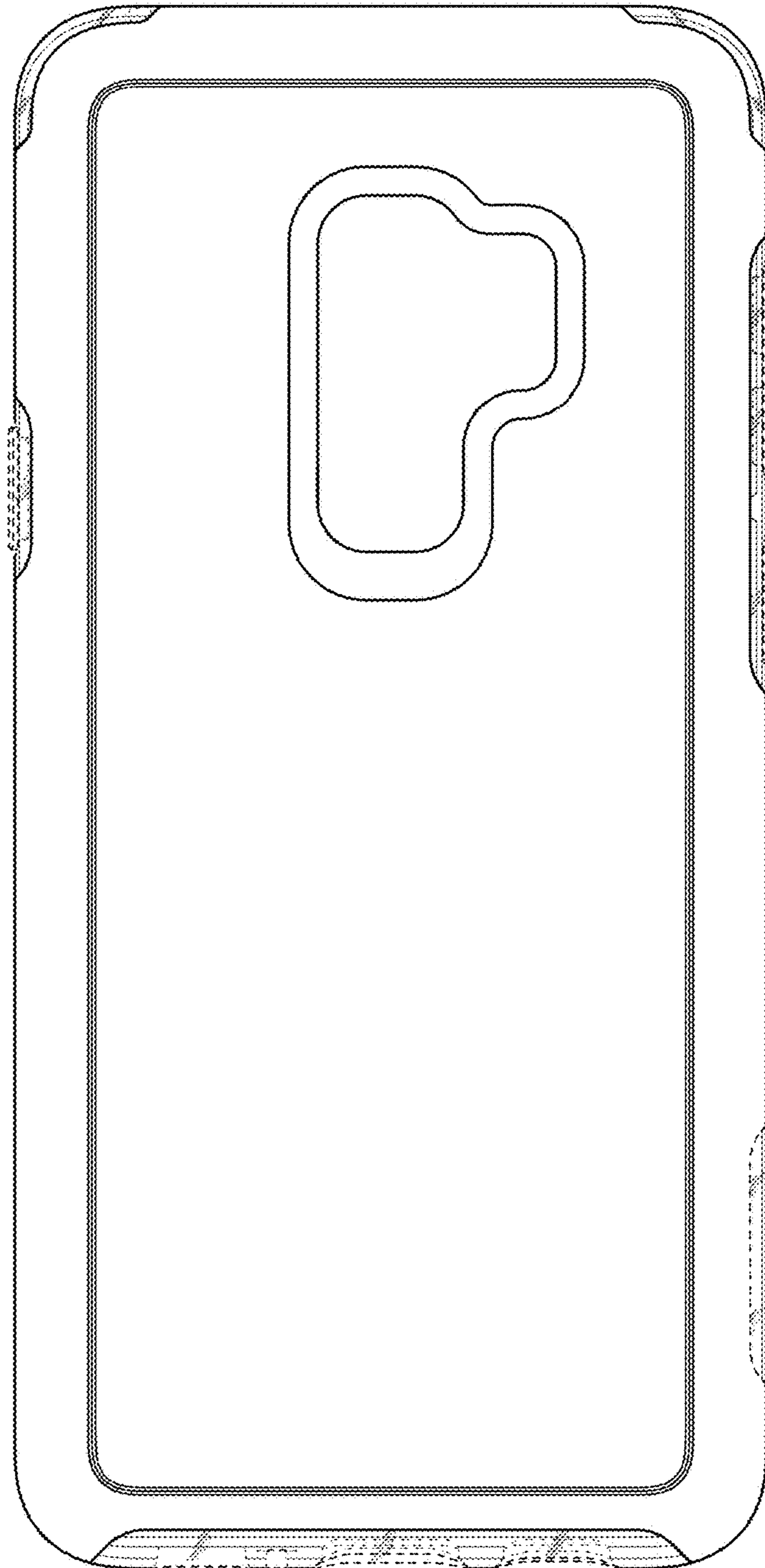


FIG. 5

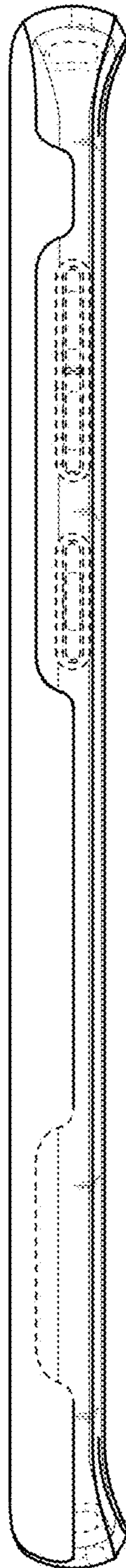


FIG. 6

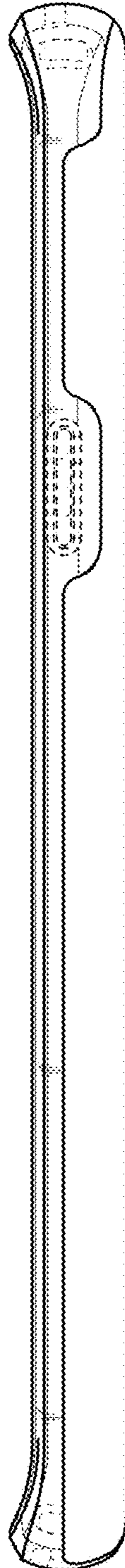


FIG. 7



FIG. 8

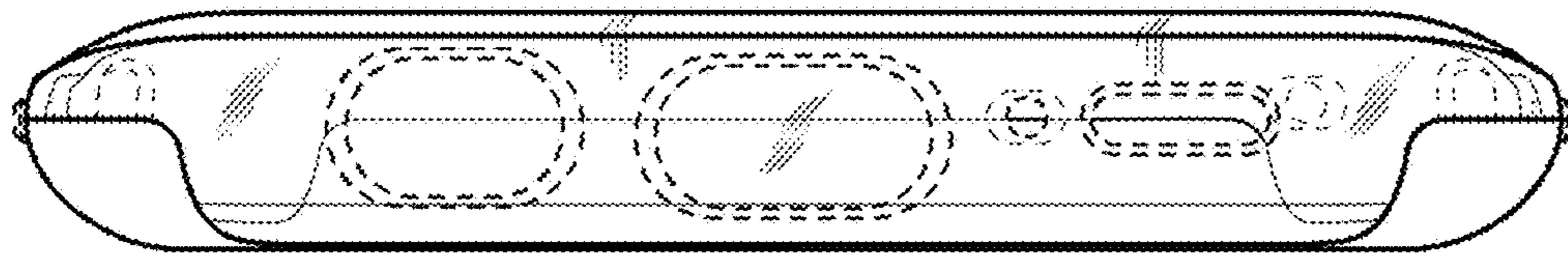


FIG. 9

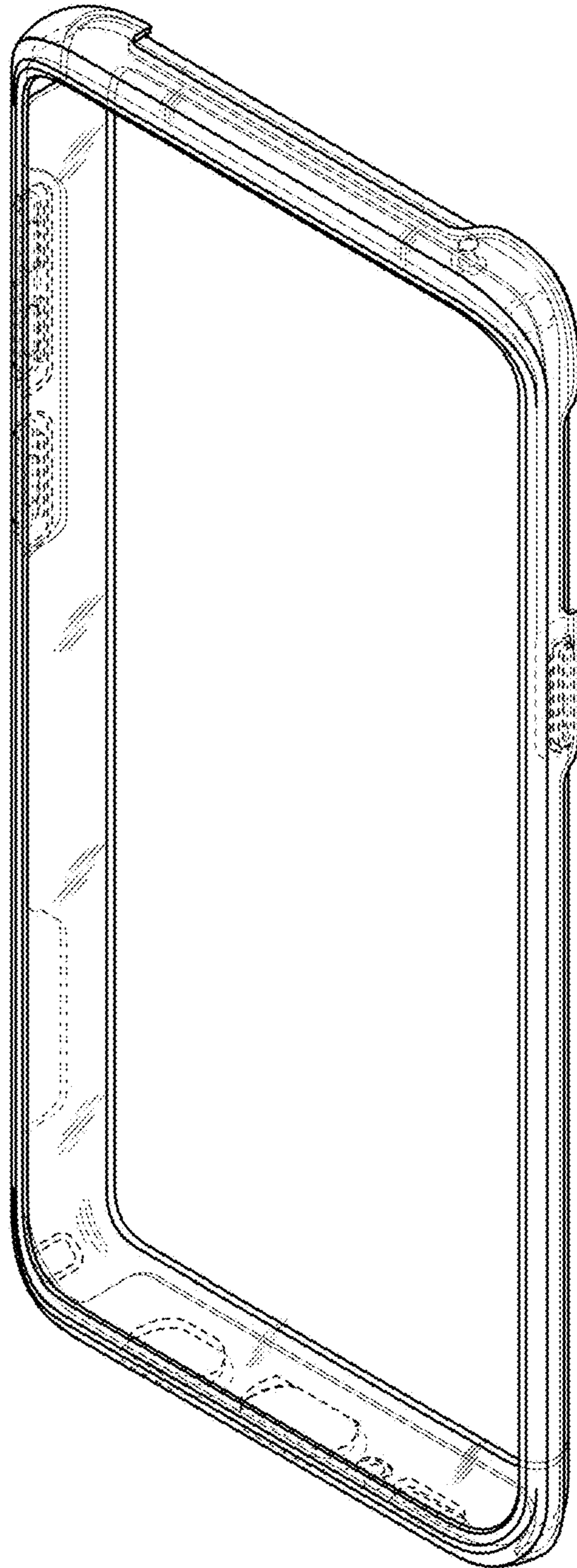


FIG. 10

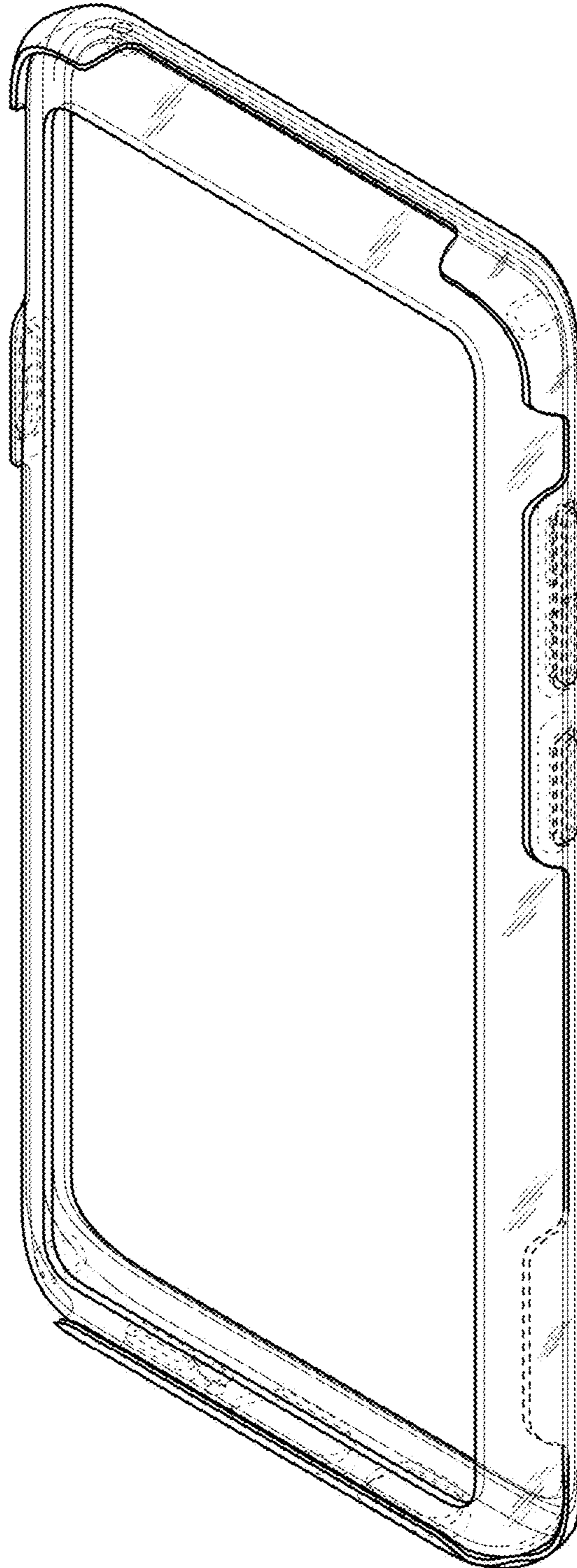


FIG. 11

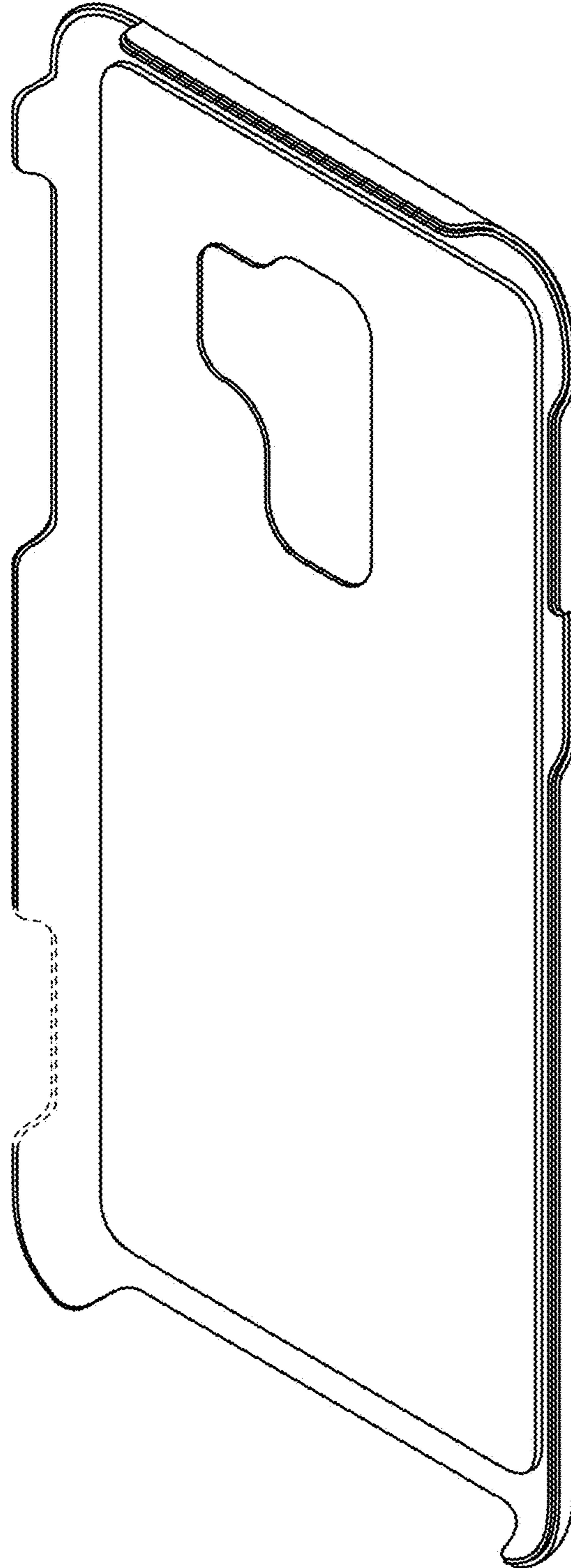


FIG. 12

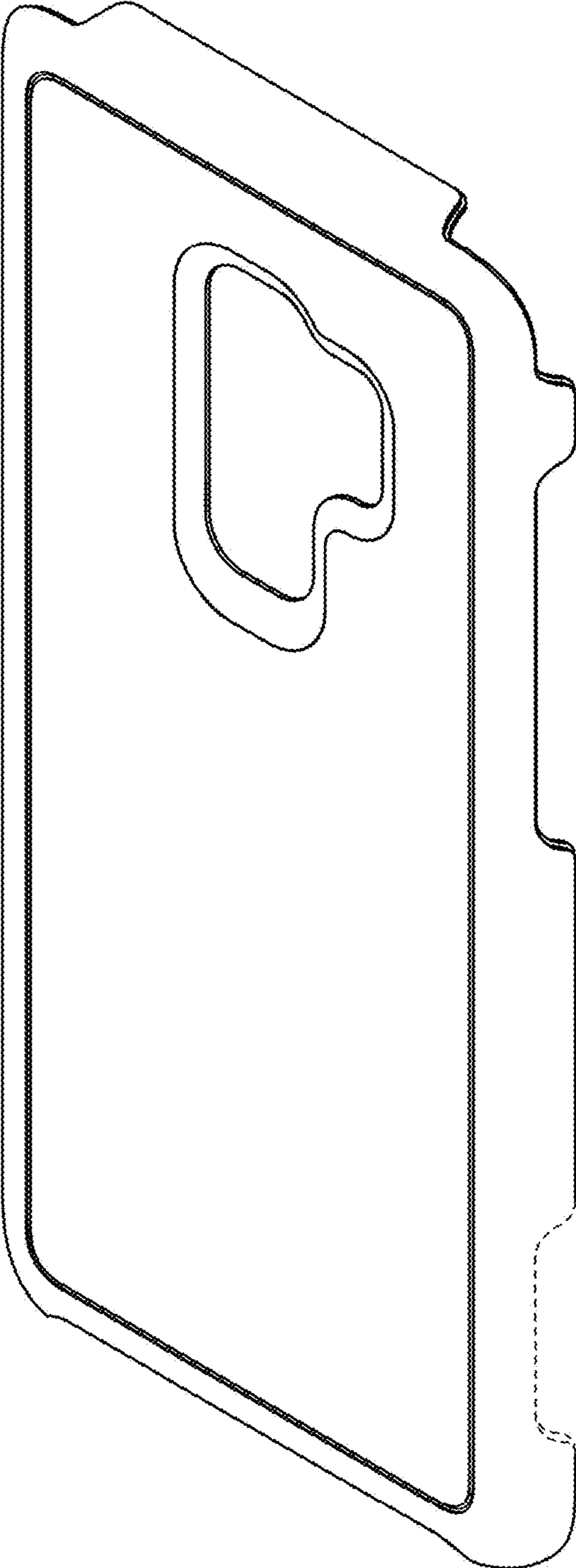


FIG. 13

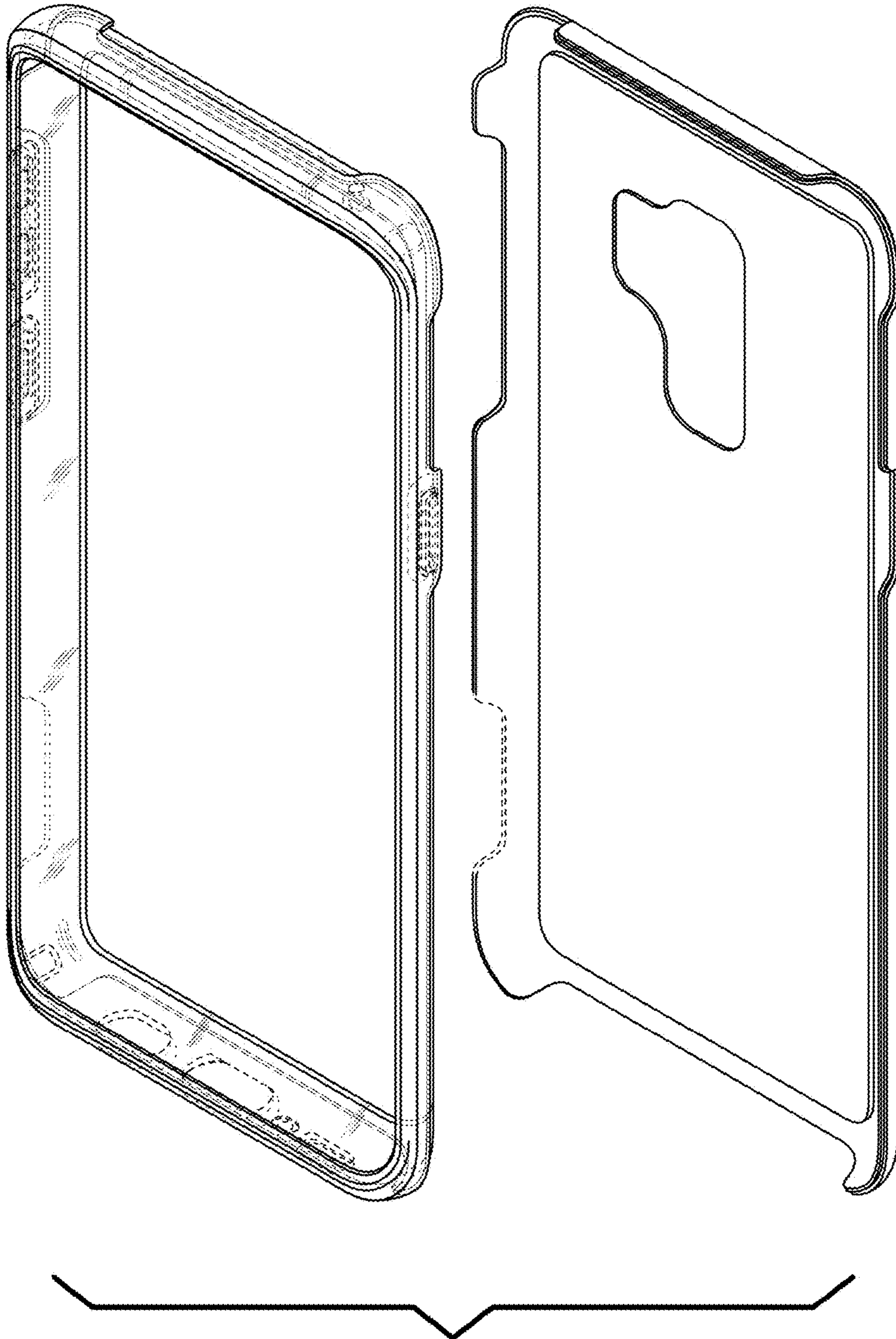


FIG. 14

