



US00D857683S

(12) **United States Design Patent**
Kim

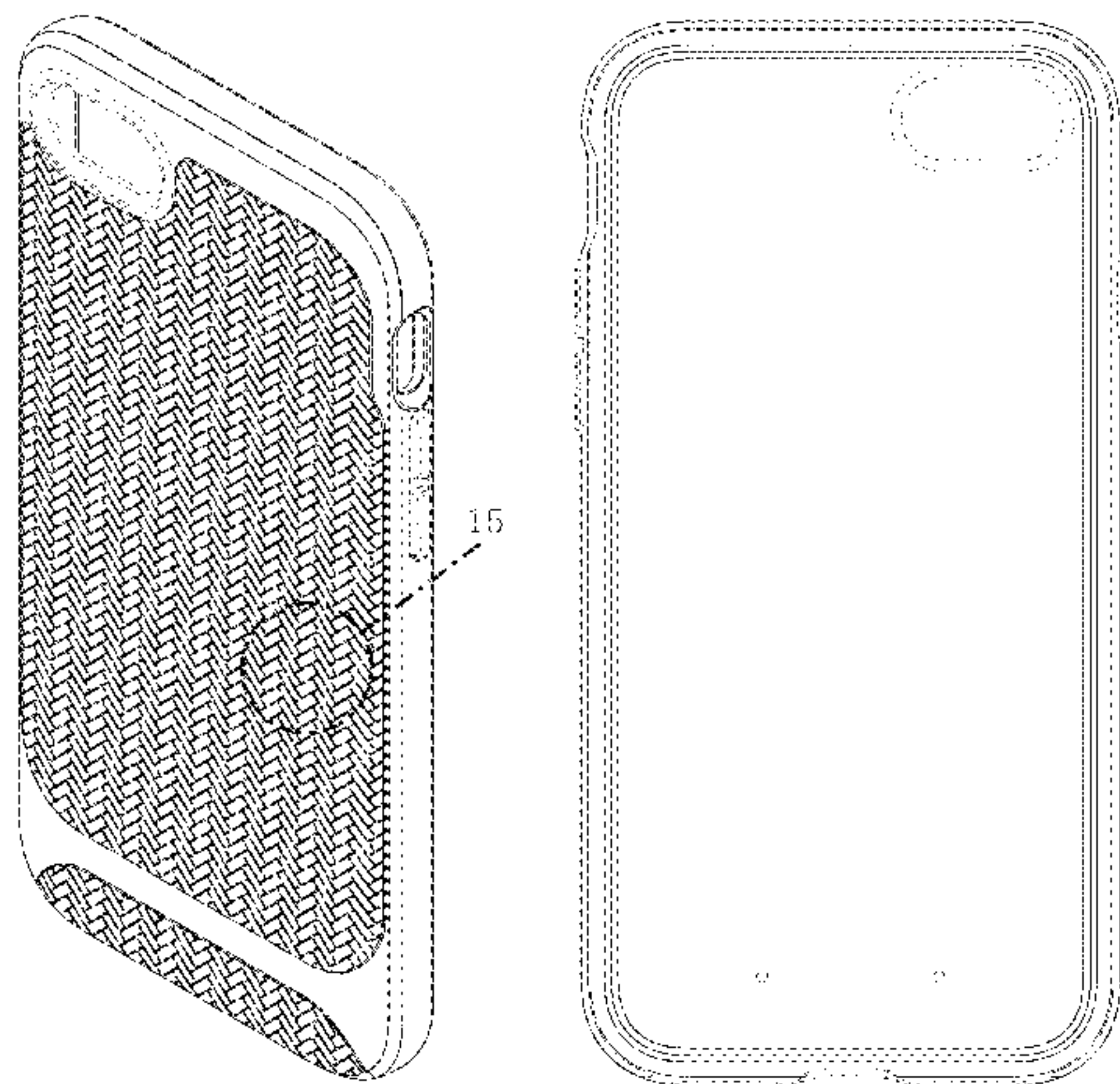
(10) **Patent No.:** **US D857,683 S**
(45) **Date of Patent:** **** Aug. 27, 2019**

- (54) **CASE FOR ELECTRONIC COMMUNICATIONS DEVICE**
- (71) Applicant: **SPIGEN KOREA CO., LTD.**, Seoul (KR)
- (72) Inventor: **Seungjoo Kim**, Seoul (KR)
- (73) Assignee: **SPIGEN KOREA CO., LTD.**, Seoul (KR)
- (**) Term: **15 Years**
- (21) Appl. No.: **29/612,041**
- (22) Filed: **Jul. 27, 2017**
- (51) **LOC (12) Cl.** **14-03**
- (52) **U.S. Cl.**
USPC **D14/250**
- (58) **Field of Classification Search**
USPC D14/248, 439, 203.3-203.7, 447, 238.1, D14/440, 251-253, 217, 240, 250; D3/201, 218, 247, 269, 273, 301, 303; D13/103, 107-108, 119
CPC H04B 1/3888; H04M 1/0283; H04M 1/0202; A45C 1/06; A45C 2011/002; A45C 11/00; A45C 13/02; A45F 2005/026; A45F 2200/0525; A45F 2200/0516
See application file for complete search history.

D671,930 S	12/2012	Akana et al.	
D673,539 S	1/2013	Magness et al.	
D674,789 S	1/2013	Wen	
D679,695 S	4/2013	Fahrendorff et al.	
D687,027 S	7/2013	Melanson et al.	
D694,224 S	11/2013	Wooseung	
D696,238 S	12/2013	Murchison et al.	
D696,240 S	12/2013	Kim et al.	
D700,598 S *	3/2014	Kim	D14/250
D703,653 S	4/2014	Brubaker et al.	
D704,182 S *	5/2014	Smith	D14/250
D718,291 S *	11/2014	Hong	D14/250
D721,071 S	1/2015	Nelson et al.	
D721,693 S	1/2015	Lee et al.	
D735,182 S *	7/2015	Watkins	D14/250
D739,394 S	9/2015	Rayner et al.	
D741,845 S	10/2015	Kim	
D744,995 S *	12/2015	Lerenthal	D14/250
D746,805 S	1/2016	Kim	
9,264,089 B2 *	2/2016	Tages	H04B 1/3888
D756,343 S	5/2016	Wall et al.	
D763,241 S	8/2016	Kim	
D765,627 S	9/2016	Watt	
D765,629 S *	9/2016	Watt	D14/250
D765,632 S *	9/2016	Northrup	D14/250
D765,633 S	9/2016	Northrup et al.	
D765,638 S *	9/2016	Gaylord	D14/250
D765,644 S	9/2016	Witter et al.	
D765,645 S	9/2016	Kim	
D766,819 S *	9/2016	Gjovik	D13/103
D771,612 S	11/2016	Roberts et al.	
D771,613 S	11/2016	Poon et al.	
D772,211 S *	11/2016	Poon	D14/250
D773,445 S *	12/2016	Witter	D14/250
D774,500 S *	12/2016	Reese	D14/250
D776,647 S	1/2017	Kim	
D777,157 S	1/2017	Kim	
D777,159 S	1/2017	Lee et al.	
D781,835 S	3/2017	Kim et al.	
D781,836 S *	3/2017	Kim	D14/250
D781,837 S *	3/2017	Kim	D14/250
D781,838 S *	3/2017	Kim	D14/250
D781,839 S *	3/2017	Kim	D14/250
D781,840 S	3/2017	Kim et al.	
D782,453 S	3/2017	Kim et al.	
D782,454 S	3/2017	Kim et al.	
D784,309 S	4/2017	Lee et al.	
D786,848 S	5/2017	Park et al.	
D786,849 S	5/2017	Park et al.	
D792,394 S	7/2017	Lee et al.	
D795,237 S	8/2017	Jung et al.	
D797,715 S	9/2017	Kim	
D800,714 S	10/2017	Lee et al.	

(56) **References Cited**
U.S. PATENT DOCUMENTS

D574,819 S	8/2008	Andre et al.	
D615,077 S	5/2010	Richardson et al.	
D615,536 S	5/2010	Richardson et al.	
D623,639 S	9/2010	Richardson et al.	
D623,640 S	9/2010	Freeman	
D624,910 S *	10/2010	Richardson	D14/250
D638,830 S *	5/2011	Magness	D14/250
D643,029 S	8/2011	Feng	
D643,424 S *	8/2011	Richardson	D14/253
D643,836 S *	8/2011	Smith	D14/250
D643,837 S	8/2011	Smith	
D644,635 S *	9/2011	Richardson	D14/250
D662,929 S	7/2012	Fahrendorff et al.	



D801,323 S	10/2017	Kim		
2015/0141090 A1*	5/2015	Hwan	H04B 1/3888 455/575.8
2015/0382495 A1*	12/2015	Lim	A45C 11/00 206/523
2016/0106202 A1*	4/2016	Ford	A45C 13/1069 224/267

OTHER PUBLICATIONS

Review of Rock Royce Hybrid Case for iPhone 6 Plus, posted on Jan. 1, 2015, URL:<http://gadgetunit.com/2015/01/01/review-rock-royce-hybrid-case-for-iphone-6-plus-video/>, retrieved from internet on Mar. 14, 2018.*

Caseology review: Testing 4 of the nicest iPhone 6s cases available, posted on Nov. 28, 2015, URL: <https://www.cultofmac.com/399325/caseology-review/>, retrieved from internet on Mar. 14, 2018.*

“Caseology Parallax Series iPhone 7 Plus/8 Plus Cover Case with Design Slim Protective for Apple iPhone 7 Plus (2016)/iPhone 8 Plus (2017)—Matte Black”, <https://www.amazon.com/dp/B01LY50PST>, Earliest review date of Sep. 9, 2016.

“iPhone 6S Plus Case, Caseology [Wavelength Series] Slim Fit Military-Grade Drop Protection [Navy Blue] for Apple iPhone 6S Plus (2015) & iPhone 6 Plus (2014)”, <https://www.amazon.com/dp/B013W2C77G>, Earliest review date of Sep. 10, 2015.

“ROCK Royce Hybrid Case for Apple iPhone 5 5S & SE Iron Grey”, <https://www.gadgetwear.co.uk/products/rock-royce-hybrid-case-for-apple-iphone-5-5s-se-iron-grey>, Earliest review date of Aug. 26, 2016.

George Tinari, “Caseology review: Testing 4 of the nicest iPhone 6s cases available”, published Nov. 28, 2015, accessed at <http://www.cultofmac.com/399325/caseology-review/>.

“iPhone SE Case, for Apple iPhone 5S/5 Case, ROCK [Royce] Anti-scratch Drop Protection Slim Fit Dual Layered Heavy Duty Armor Hybrid Hard PC + Soft TPU Protective Shell Case—Champagne Gold/Black”, <https://www.amazon.com/dp/B014A8AM7I>, Earliest review date of Oct. 16, 2015.

“Gold Apple iPhone 5 5S Hybrid Shockproof Hard Bumper Soft Case Cover Skin”, <https://web.archive.org/web/20160321221419/https://www.nywatchstore.com/goapip55shys.html>, first archived on Mar. 21, 2016 at Wayback Machine, downloaded on Jan. 22, 2019.

“ROCK PC+TPU Neo Hybrid Durable Slim Armor cover case for iPhone X 6S 5S SE Plus”, <https://www.ebay.com/itm/ROCK-PC-TPU-Neo-Hybrid-Durable-Slim-Armor-cover-case-for-iphone-X-6S-5S-SE-Plus-/111952466831>, listing first revised on Mar. 30, 2016, downloaded on Mar. 9, 2018.

Spigen, “Installation video of SGP Neo Hybrid Case”, <https://www.youtube.com/watch?v=mVASro4MsEg>, Published on Oct. 30, 2009, Downloaded on Feb. 21, 2019.

Spigen, “Installation video of SGP Neo Hybrid2”, https://www.youtube.com/watch?v=y5_NdOVOfZo, Published on May 25, 2010, Downloaded on Feb. 21, 2019.

Run Around Tech, “SGP Neo Hybrid Matte Series Case for the iPhone 4”, <https://www.youtube.com/watch?v=fOH7445II-8>, Published on Sep. 22, 2010, Downloaded on Aug. 15, 2018.

“SGP iPhone 4 Case Neo Hybrid Matte Series Gun Metal”, <https://www.amazon.co.uk/iPhone-Case-Hybrid-Matte-Metal/dp/B004FIIQ7E>, Date first available at Amazon.co.uk of Dec. 3, 2010, Earliest review date of Apr. 11, 2011, Downloaded on Aug. 15, 2018.

Spigen, Neo Hybrid Case for Galaxy S3, <https://www.youtube.com/watch?v=IgpahRniVkU>, Published on Jun. 27, 2012, Downloaded on Feb. 21, 2019.

“Spigen Neo Hybrid Galaxy S4 Case with Flexible Inner Protection and Reinforced Hard Bumper Frame for Galaxy S4 2013—Dante Red”, <https://www.amazon.com/Spigen-Hybrid-Flexible-Protection-Reinforced/dp/B00BYJX11Y>, Earliest review date of May 9, 2013, Downloaded on Jan. 22, 2019.

Metagamers, “Spigen Neo Hybrid iPhone 5 & 5s Case Review”, <https://www.youtube.com/watch?v=vTvTYZfSmal>, Published on Jul. 21, 2013, Downloaded on Feb. 21, 2019.

Danny Winget, “Spigen SGP Neo Hybrid for Galaxy Note 3 Review”, <https://www.youtube.com/watch?v=W80JtBDSckk>, Published on Nov. 3, 2013, Downloaded on Dec. 20, 2018.

“Spigen Neo Hybrid Galaxy S5 Case with Flexible Inner Protection and Reinforced Hard Bumper Frame for Samsung Galaxy S5 2014—Electric Blue”, <https://www.amazon.com/Spigen-Flexible-Protection-Reinforced-Samsung/dp/B00I3UWJJY>, Earliest review date of Apr. 12, 2014, Downloaded on Jan. 22, 2019.

“Spigen Neo Hybrid iPhone 6 Case with Flexible Inner Protection and Reinforced Hard Bumper Frame for iPhone 6S/iPhone 6—Gunmetal”, <https://www.amazon.com/dp/B00LL6ZPXY>, Earliest review date of Aug. 28, 2014, Downloaded on Dec. 18, 2018.

“Spigen Neo Hybrid Nexus 6 Case with Flexible Inner Protection and Reinforced Hard Bumper Frame for Google Nexus 6 2014—Dante Red”, <https://www.amazon.com/dp/B00OH4HKGC>, Earliest review date of Nov. 16, 2014, Downloaded on Dec. 18, 2018.

“Spigen Neo Hybrid Galaxy S6 Case with Flexible Inner Protection and Reinforced Hard Bumper Frame for Galaxy S6 2015—Satin Silver”, <https://www.amazon.com/dp/B00QU4Q31A>, Earliest review date of Mar. 6, 2015, Downloaded on Dec. 18, 2018.

“Spigen Neo Hybrid Galaxy S6 Edge Case with Flexible Inner Protection and Reinforced Hard Bumper Frame for Galaxy S6 Edge 2015—Gunmetal”, <https://www.amazon.com/dp/B00SV635BG>, Earliest review date of Mar. 19, 2015, Downloaded on Dec. 18, 2018.

“Spigen Neo Hybrid CC Galaxy S6 Case with Flexible Inner Casing and Reinforced Hard Bumper Frame for Galaxy S6 2015—Satin Silver”, <https://www.amazon.com/dp/B00UMDOZLU>, Earliest review date of Mar. 25, 2015, Downloaded on Dec. 18, 2018.

“Spigen Neo Hybrid CC Galaxy S6 Edge Case with Flexible Inner Casing and Reinforced Hard Bumper Frame for Galaxy S6 Edge 2015—Blue Topaz”, <https://www.amazon.com/dp/B00USAPGKQ>, Earliest review date of Apr. 4, 2015, Downloaded on Dec. 18, 2018.

“Spigen Neo Hybrid Carbon Galaxy S6 Edge Plus Case with Carbon Fiber Design and Reinforced Hard Bumper Frame for Galaxy S6 Edge Plus 2015—Dante Red”, <https://www.amazon.com/dp/B010MWHZS0>, Earliest review date of Aug. 18, 2015, Downloaded on Dec. 18, 2018.

“Spigen Neo Hybrid Crystal Galaxy Note 5 Case with Flexible Inner Casing and Reinforced Hard Bumper Frame for Galaxy Note 5 2015—Champagne Gold”, <https://www.amazon.com/dp/B010MWIG1K>, Earliest review date of Aug. 22, 2015, Downloaded on Dec. 18, 2018.

“iPhone 6s Case, Spigen [Neo Hybrid EX] Premium Bumper [Rose Gold] Clear TPU/PC Frame Slim Dual Layer Premium Case for iPhone 6 (2014)/6s (2015)—Rose Gold (SGP11725)”, <https://www.amazon.com/Spigen-Hybrid-iPhone-Flexible-Reinforced/dp/B012PKV30S>, Earliest review date of Aug. 28, 2015, Downloaded on Dec. 18, 2018.

“Spigen Neo Hybrid Carbon iPhone 6s Case with Carbon Fiber Design and Reinforced Hard Bumper Frame for Apple iPhone 6s/iPhone 6 (2015)—Reventon Yellow”, Earliest review date of Sep. 1, 2015, Downloaded on Dec. 18, 2018.

“Spigen Neo Hybrid iPhone 6S Case with Flexible Inner Protection and Reinforced Hard Bumper Frame for iPhone 6S 2015—Gunmetal”, <https://www.amazon.com/dp/B010MVIZTE>, Earliest review date of Sep. 1, 2015, Downloaded on Dec. 18, 2018.

“Spigen Neo Hybrid EX iPhone 6S Plus Case with Flexible Inner Bumper and Reinforced Hard Frame for iPhone 6S Plus/iPhone 6 Plus—Champagne Gold”, <https://www.amazon.com/dp/B010MVRRL6>, Earliest review date of Sep. 4, 2015, Downloaded on Dec. 18, 2018.

“Spigen Neo Hybrid Carbon iPhone 6S Plus Case with Carbon Fiber Design and Reinforced Hard Bumper Frame for iPhone 6S Plus 2015—Gunmetal”, <https://www.amazon.com/dp/B010MVRGMQ>, Earliest review date of Sep. 11, 2015, Downloaded on Dec. 18, 2018.

“Spigen Neo Hybrid EX Nexus 6P Case with Flexible Inner Bumper and Reinforced Hard Frame for Nexus 6P 2015—Gunmetal”, <https://www.amazon.com/dp/B0184I8Z4W>, Earliest review date of Oct. 20, 2015, Downloaded on Dec. 18, 2018.

“Spigen Neo Hybrid Crystal Galaxy S7 Edge Case with Flexible Inner Casing and Reinforced Hard Bumper Frame for Samsung

Galaxy S7 Edge 2016—Satin Silver”, <https://www.amazon.com/dp/B01A7IDQV4>, Earliest review date of Feb. 22, 2016, Downloaded on Dec. 18, 2018.

“Spigen Neo Hybrid Galaxy S7 Case with Flexible Inner Protection and Reinforced Hard Bumper Frame for Samsung Galaxy S7 2016—Gunmetal”, <https://www.amazon.com/dp/B01B1I6J0E>, Earliest review date of Feb. 27, 2016, Downloaded on Dec. 18, 2018.

“Spigen Neo Hybrid Galaxy S7 Edge Case with Flexible Inner Protection and Reinforced Hard Bumper Frame for Samsung Galaxy S7 Edge 2016—Satin Silver”, <https://www.amazon.com/dp/B01B1I6JMM>, Earliest review date of Feb. 27, 2016, Downloaded on Dec. 18, 2018.

“Spigen Neo Hybrid Crystal Galaxy S7 Case with Flexible Inner Casing and Reinforced Hard Bumper Frame for Samsung Galaxy S7 2016—Champagne Gold”, <https://www.amazon.com/dp/B01B29WCOY>, Earliest review date of Mar. 3, 2016, Downloaded on Dec. 18, 2018.

“Spigen Neo Hybrid iPhone SE Case with Flexible Inner Protection and Reinforced Hard Bumper Frame for iPhone SE 2016—Gunmetal”, <https://www.amazon.com/dp/B01BEJBBSK>, Earliest review date of Apr. 6, 2016, Downloaded on Dec. 18, 2018.

“Spigen Neo Hybrid Crystal iPhone SE Case with Flexible Inner Casing and Reinforced Hard Bumper Frame for iPhone SE 2016—Rose Gold”, <https://www.amazon.com/dp/B01BEJB7TI>, Earliest review date of Apr. 7, 2016, Downloaded on Dec. 18, 2018.

“Spigen Neo Hybrid Crystal LG G5 Case with Flexible Inner Casing and Reinforced Hard Bumper Frame for LG G5 2016—Champagne Gold”, <https://www.amazon.com/dp/B01B1GQKIC>, Earliest review date of Apr. 17, 2016, Downloaded on Dec. 18, 2018.

* cited by examiner

Primary Examiner — Carla J Wright

(74) *Attorney, Agent, or Firm* — Heedong Chae; Lucem, PC

(57) **CLAIM**

The ornamental design for a case for electronic communications device, as shown and described.

DESCRIPTION

FIG. 1 is a front perspective view of a case for electronic communications device showing my new design;

FIG. 2 is a rear perspective view thereof;

FIG. 3 is a front elevational view thereof;

FIG. 4 is a rear elevational view thereof;

FIG. 5 is a left side elevational view thereof;

FIG. 6 is a right side elevational view thereof;

FIG. 7 is a top plan view thereof;

FIG. 8 is a bottom plan view thereof;

FIG. 9 is a front perspective view showing the inner shell component of the case separately for clarity of disclosure;

FIG. 10 is a rear perspective view showing the inner shell component of the case separately for clarity of disclosure;

FIG. 11 is a front perspective view showing the outer frame component of the case separately for clarity of disclosure;

FIG. 12 is a rear perspective view showing the outer frame component of the case separately for clarity of disclosure;

FIG. 13 is an exploded front perspective view showing the components of the case separated for clarity of disclosure;

FIG. 14 is an exploded rear perspective view showing the components of the case separated for clarity of disclosure;

FIG. 15 is an enlarged detail view of the encircled portion of the design from FIG. 2; and,

FIG. 16 is an enlarged detail view of the encircled portion of the design from FIG. 4.

Although the case for electronic communications device, in which the claimed design is embodied, consists of an inner shell component and an outer frame component, the claim is directed to the ornamental appearance of the case for electronic communications device in its entirety and does not extend to the ornamental appearance of each of the individual components of the case for electronic communications device.

The dot-dash broken lines in FIGS. 2, 4, 15 and 16, encircle the portions of the claimed design that are shown on an enlarged scale in FIGS. 15 and 16. The dashed broken lines throughout the drawing figures depict portions of the case for electronic communications device that form no part of the claimed design. The interior of the case shown in FIGS. 1, 3, 9 and 13 forms no part of the claimed design. The dashed broken lines and regions bounded by dashed broken lines form no part of the claimed design.

1 Claim, 16 Drawing Sheets

FIG. 1

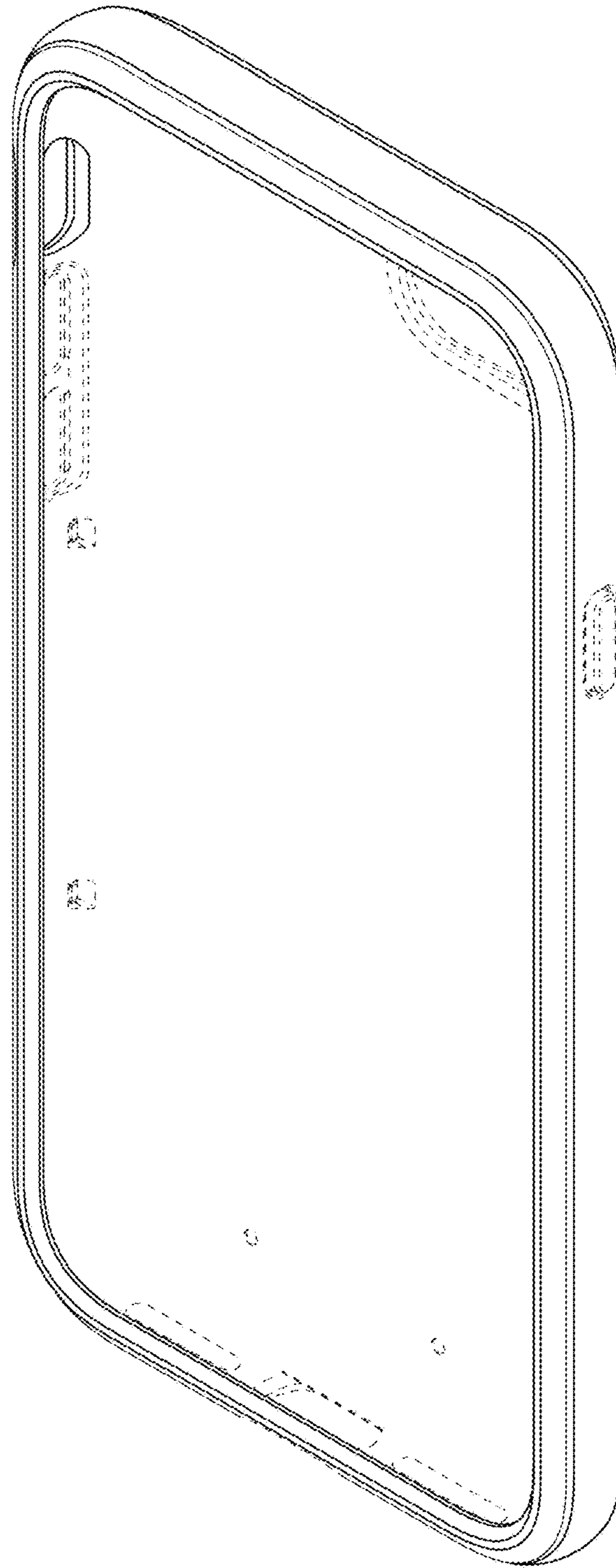


FIG. 2

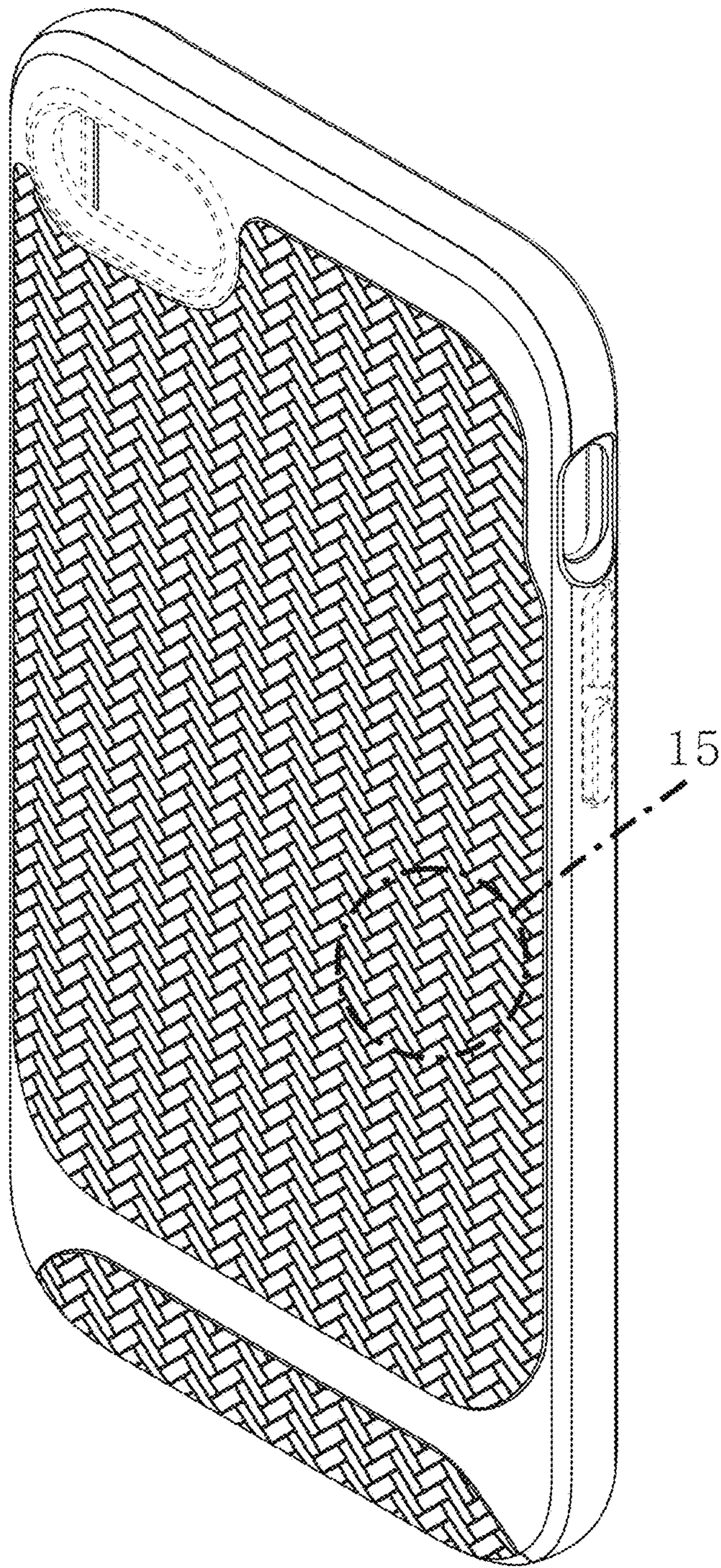


FIG. 3

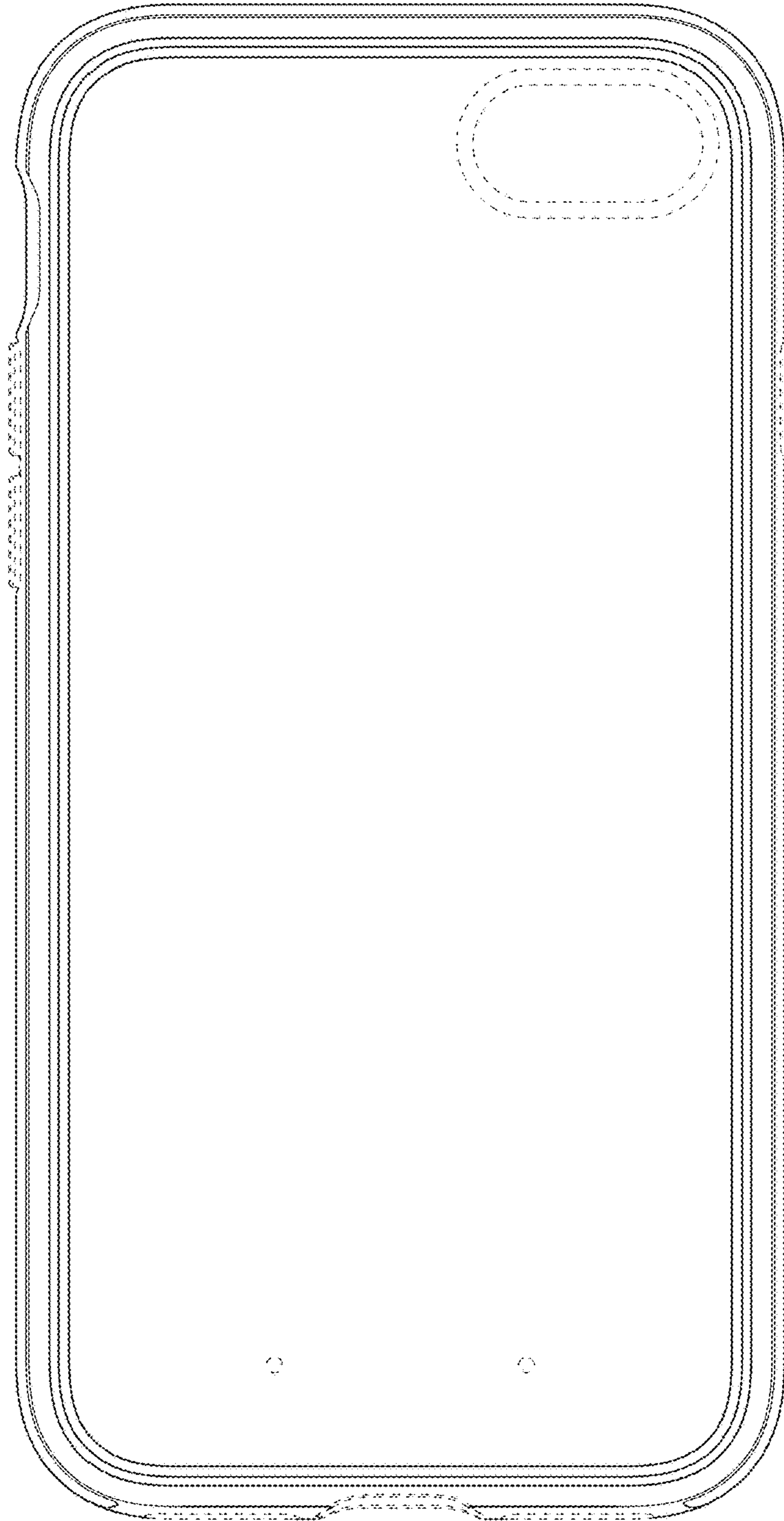


FIG. 4

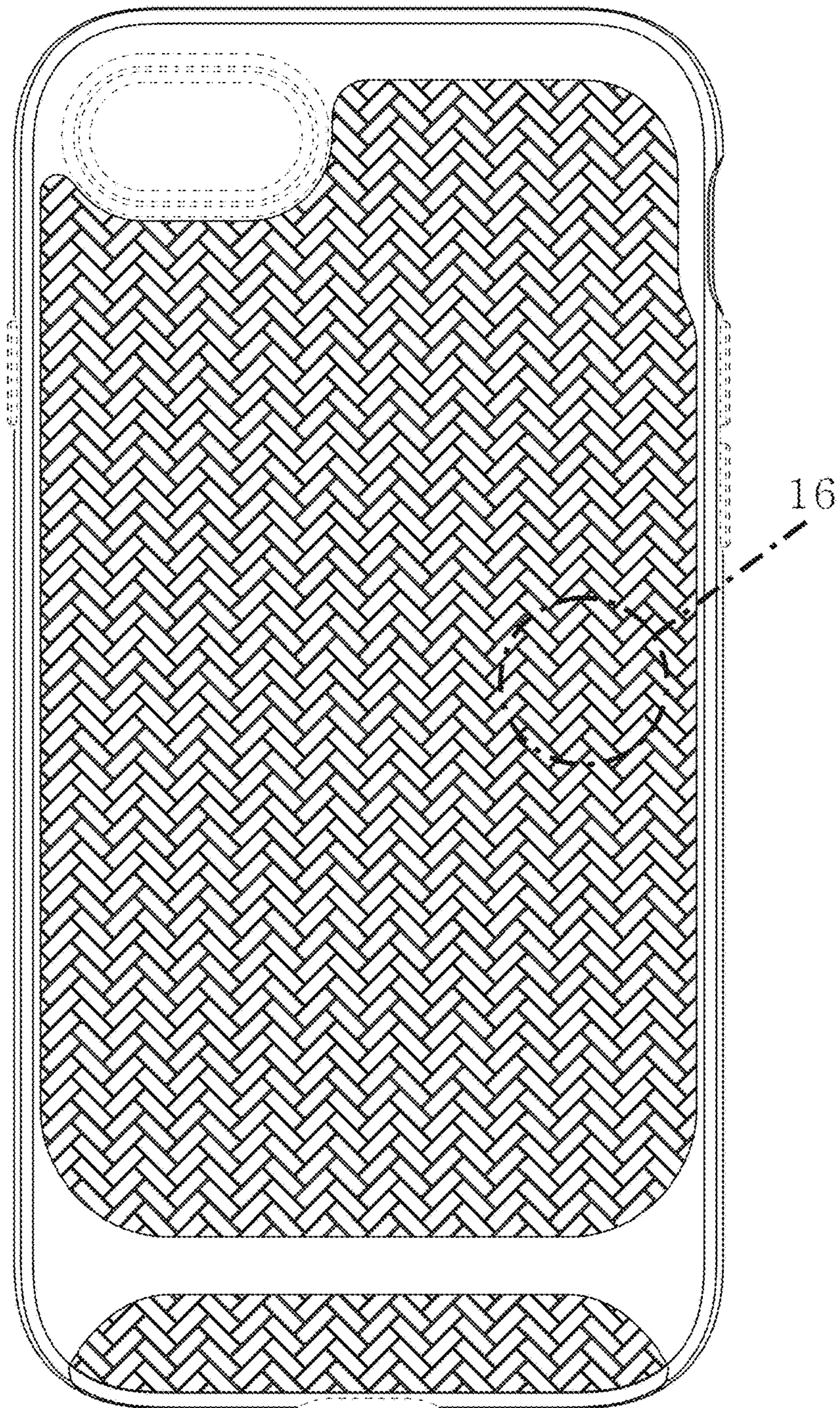


FIG. 5

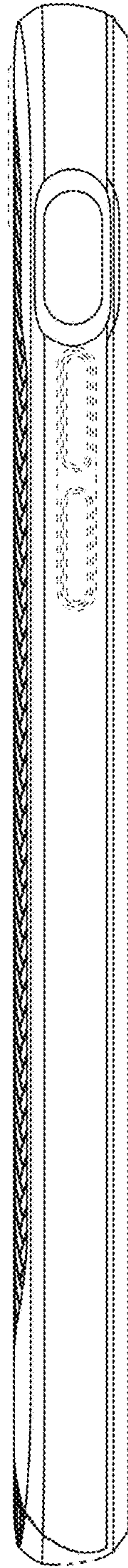


FIG. 6

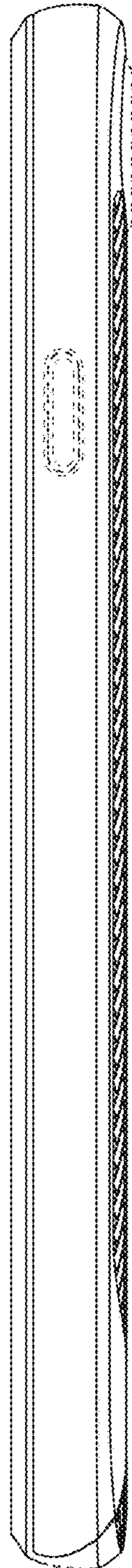


FIG. 7

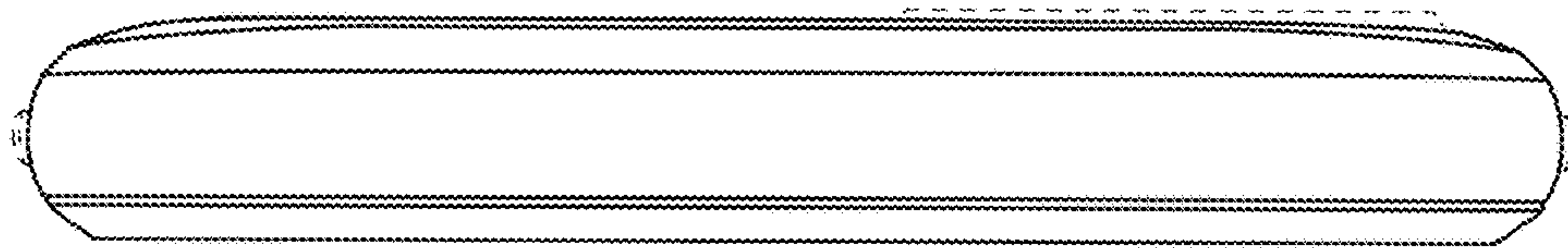


FIG. 8

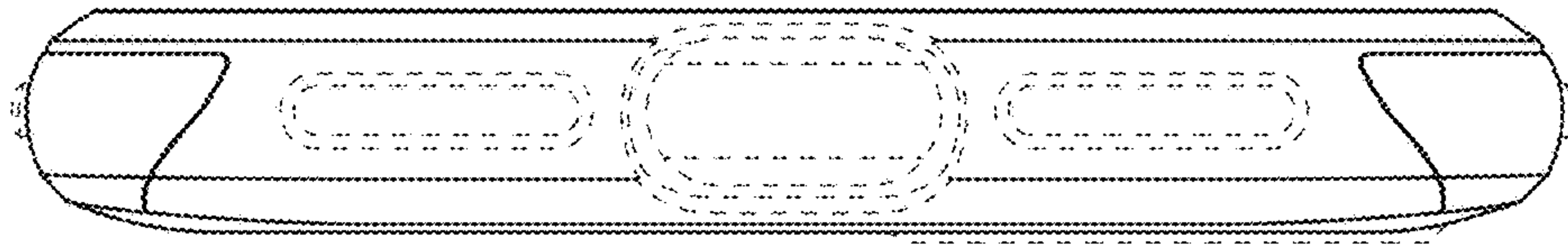


FIG. 9

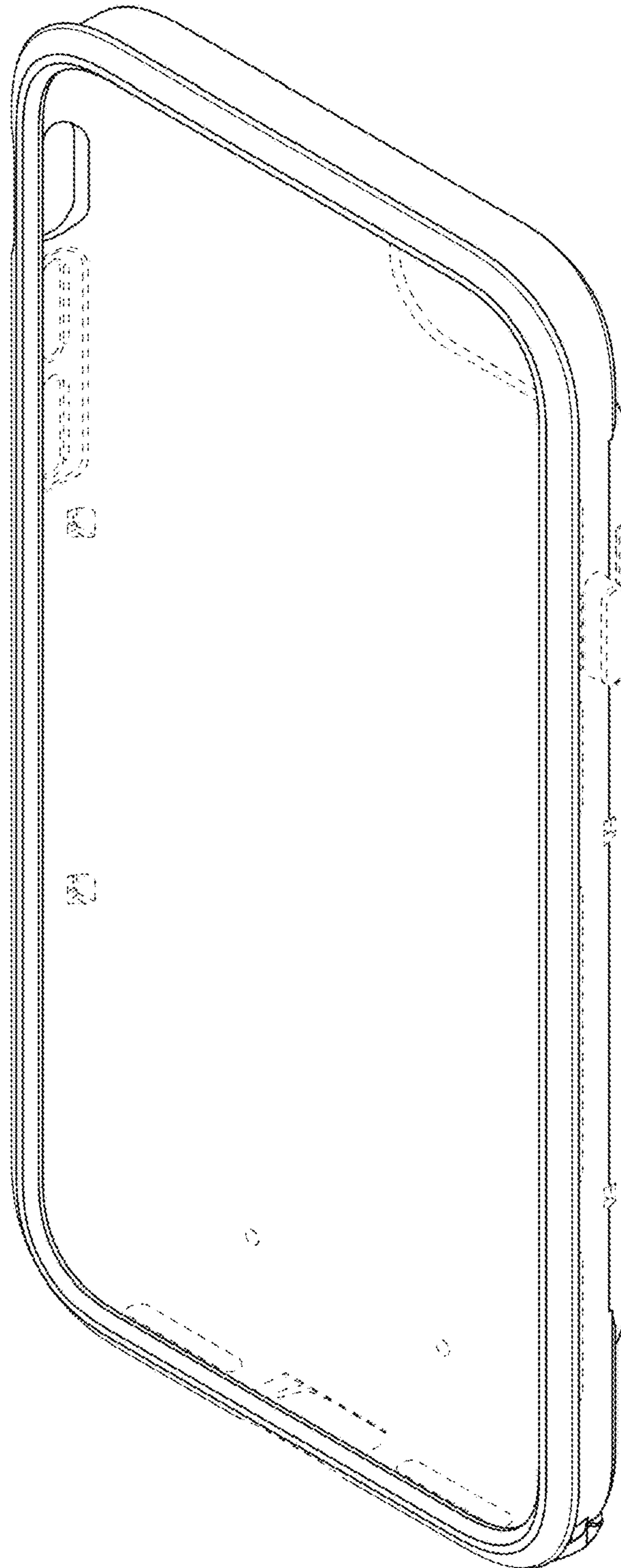


FIG. 10

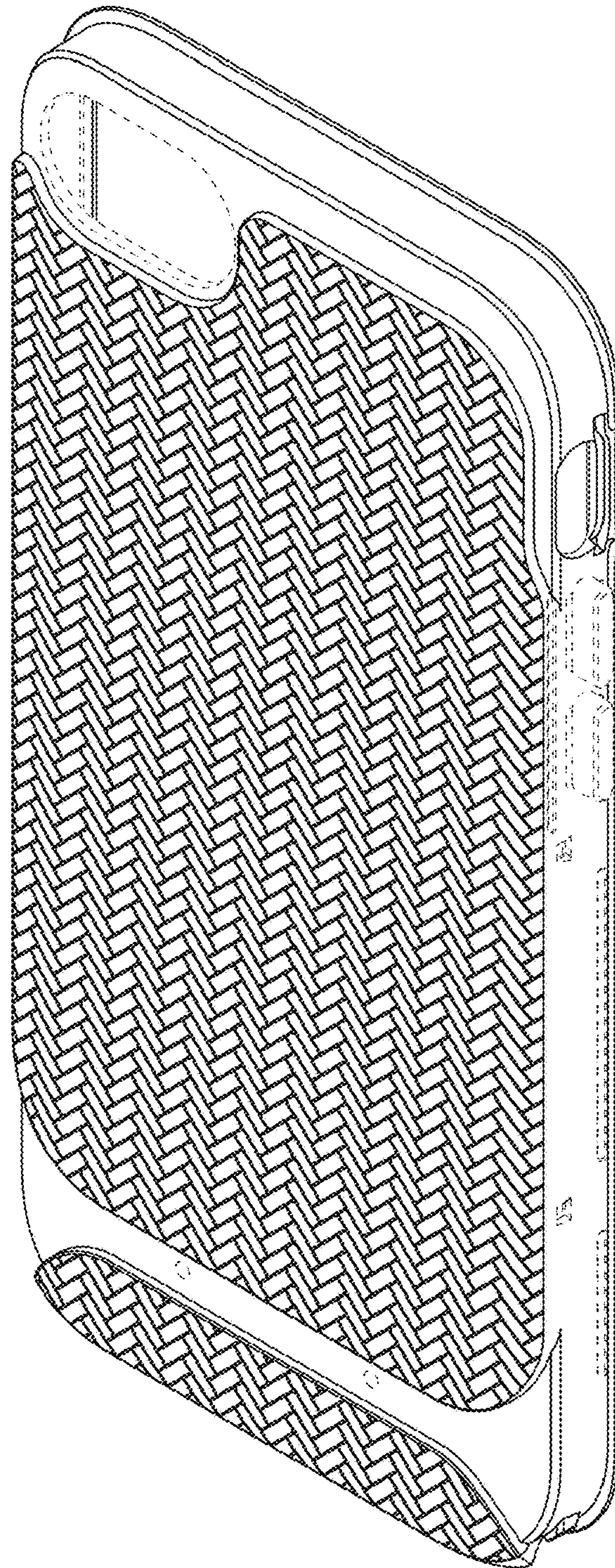


FIG. 11

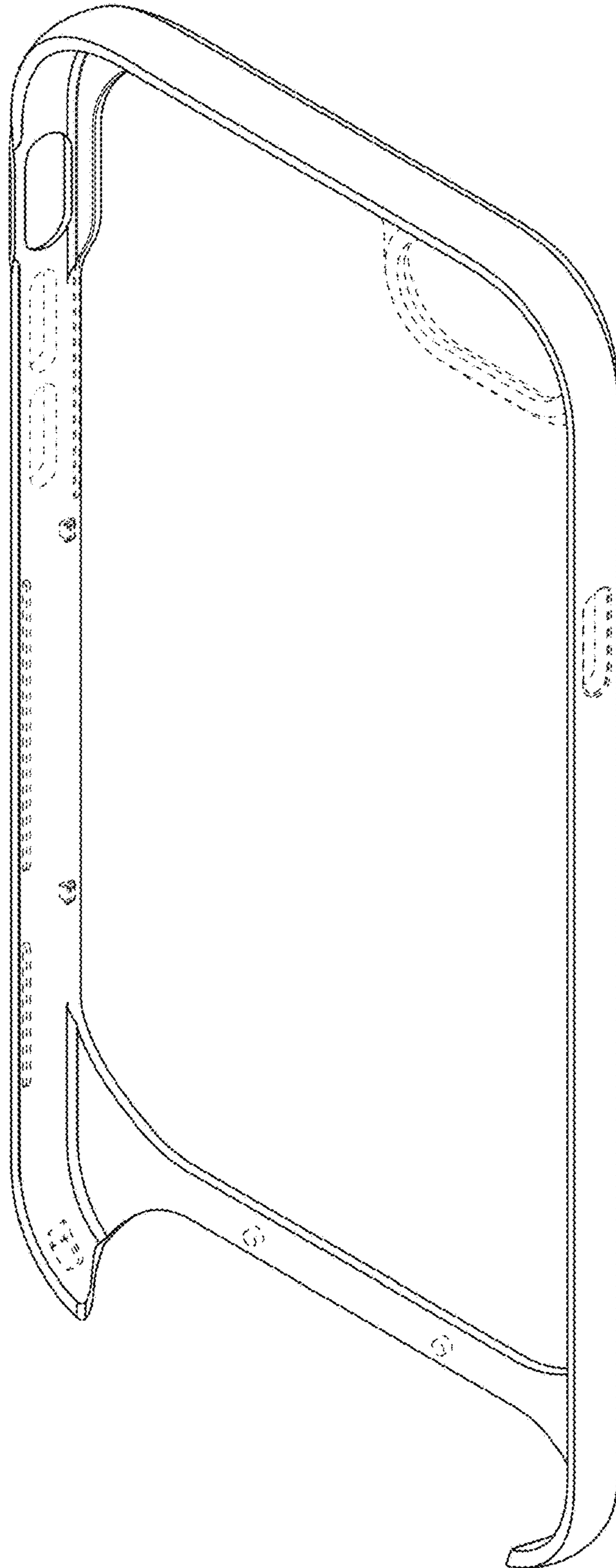


FIG. 12

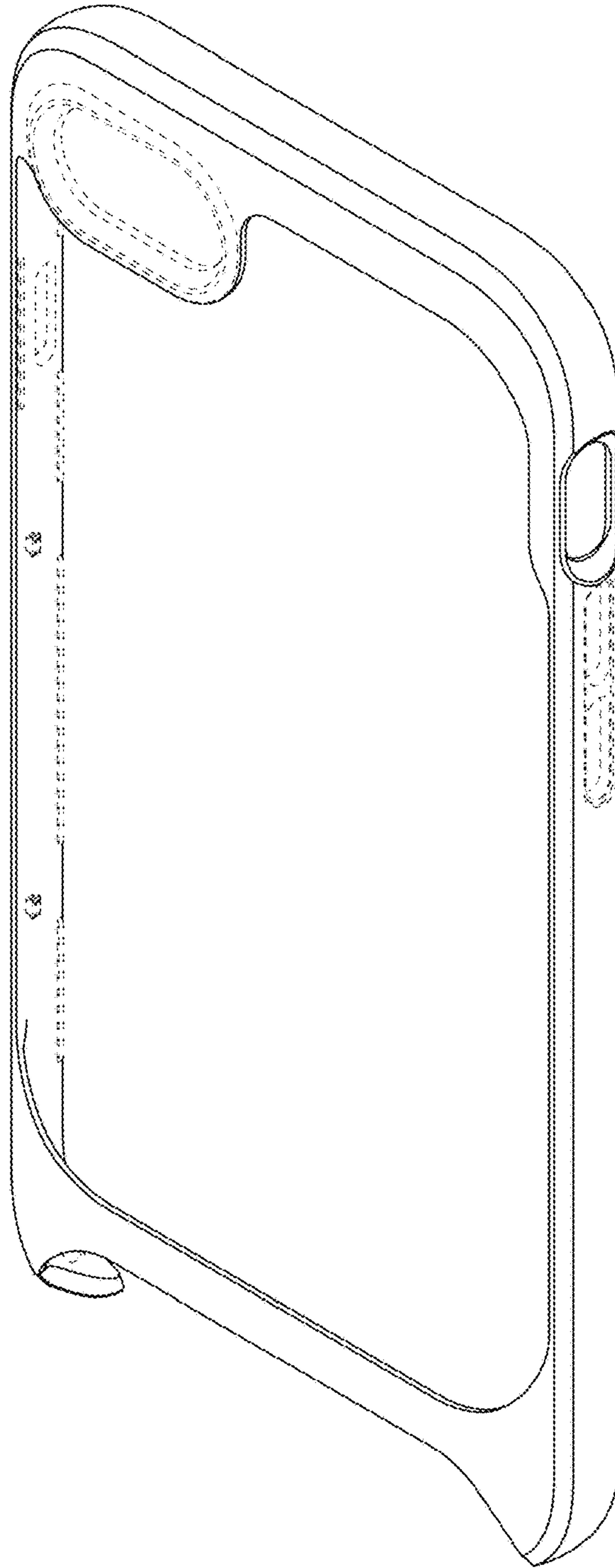


FIG. 13

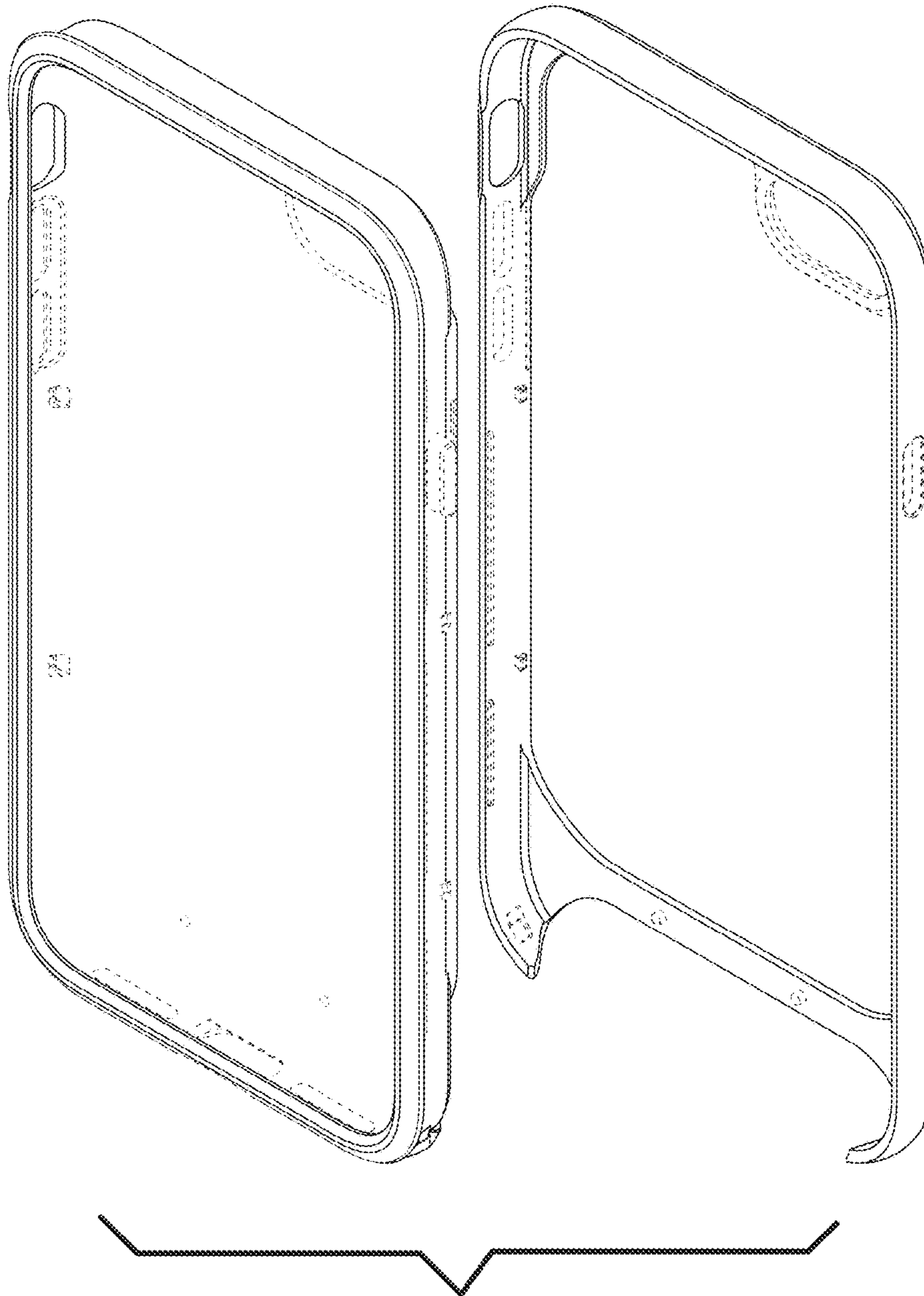


FIG. 14

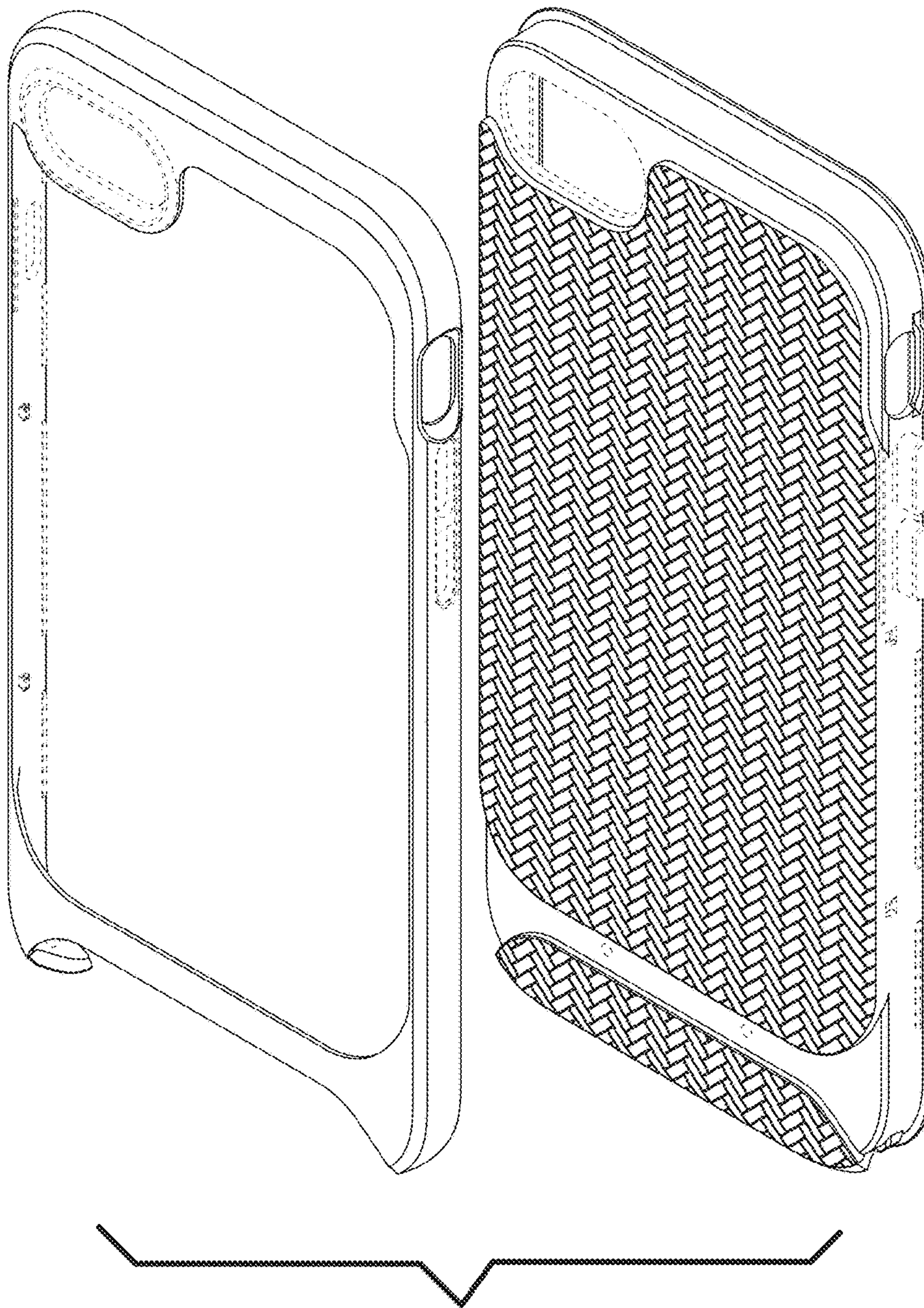


FIG. 15

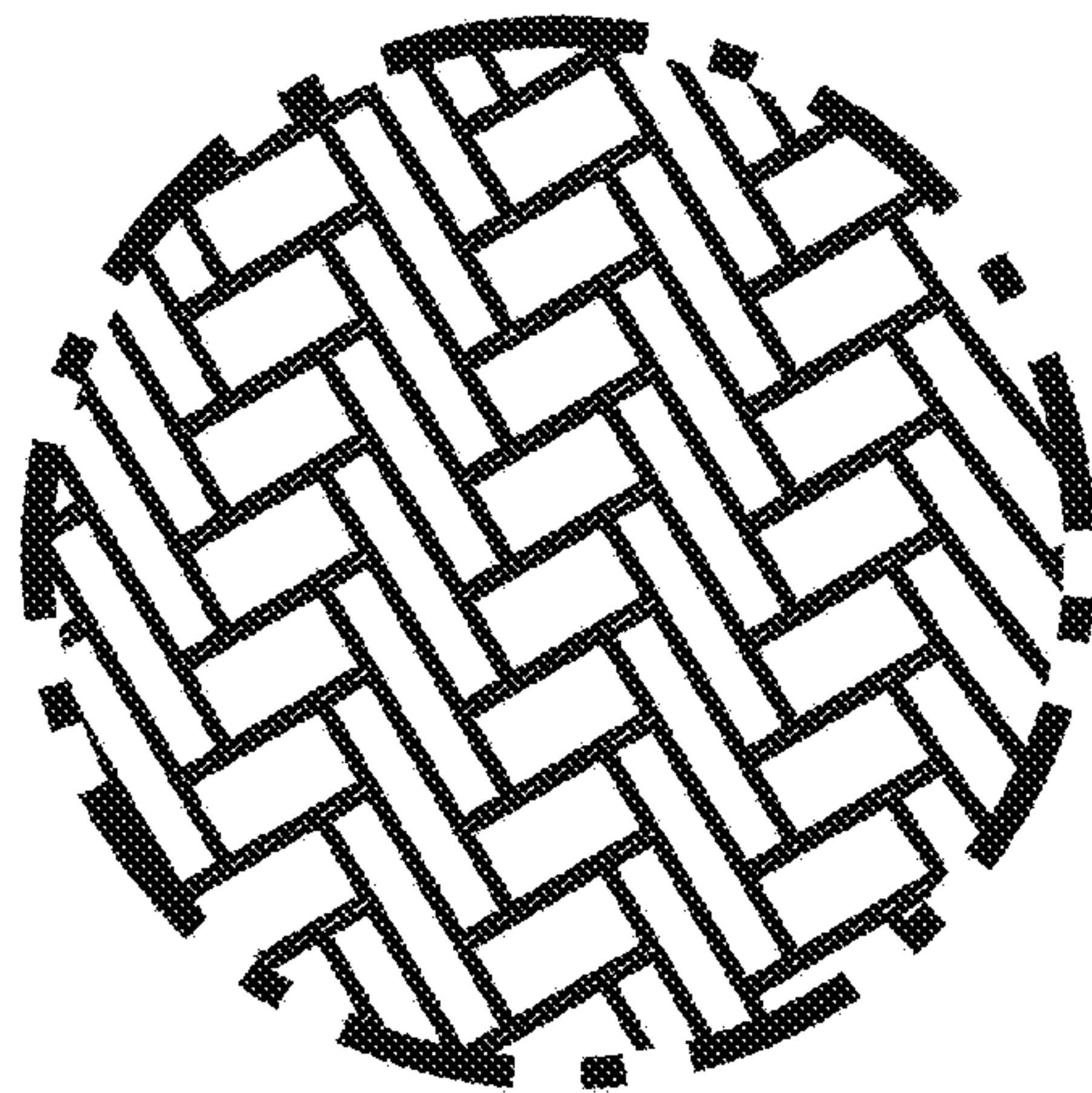


FIG. 16

