



US00D857678S

(12) **United States Design Patent** (10) **Patent No.:** **US D857,678 S**
Vardi (45) **Date of Patent:** **** Aug. 27, 2019**

- (54) **GATEWAY ELECTRONIC DEVICE**
- (71) Applicant: **ETROG SYSTEMS LTD.**, Jerusalem (IL)
- (72) Inventor: **Eyal Dov Vardi**, Bet Nir (IL)
- (73) Assignee: **ETROG SYSTEMS LTD.**, Jerusalem (IL)
- (**) Term: **15 Years**
- (21) Appl. No.: **29/643,765**
- (22) Filed: **Apr. 11, 2018**
- (51) **LOC (12) Cl.** **14-03**
- (52) **U.S. Cl.**
USPC **D14/242**; D14/358
- (58) **Field of Classification Search**
USPC ... D13/158, 159, 123, 124, 162, 162.1, 168, D13/173, 184, 199; D14/356, 357, 358, D14/388, 432, 433, 496, 217, 218, 240, D14/242, 299, 125, 155, 168, 175, 300, D14/301, 302, 314, 348, 355, 365; D24/107, 167, 185, 186
CPC H04W 88/00; H04W 88/02; H04W 88/08; H04W 88/12; H04W 88/16; H04M 1/23; H04M 1/26; H04M 11/06; H04M 13/00; H04L 2/2803; H04L 2012/5618
See application file for complete search history.

- (56) **References Cited**
U.S. PATENT DOCUMENTS
D368,097 S * 3/1996 Heberling D14/242
D372,483 S * 8/1996 Dow D14/173
D420,362 S * 2/2000 Pedraza D14/242
D425,033 S * 5/2000 Hibino D14/357
D452,232 S * 12/2001 Hayasaka D14/358
6,328,612 B1 * 12/2001 Chung G06F 1/181
361/732
D464,045 S * 10/2002 Bohne D14/240
D471,543 S * 3/2003 Yang D14/240

- D473,223 S * 4/2003 Pullman D14/240
- D503,479 S * 3/2005 Ina D24/158
- D509,824 S * 9/2005 Storti D14/240
- D520,500 S * 5/2006 Storti D14/358
- D532,414 S * 11/2006 Storti D14/240
- D554,266 S * 10/2007 Striepe D24/186
- D562,813 S * 2/2008 Storti D14/240
- D582,429 S * 12/2008 Kusano D14/496
- D627,798 S * 11/2010 Berning D15/28
- D627,800 S * 11/2010 Berning D15/28
- D643,831 S * 8/2011 Chun D13/108
- D684,130 S * 6/2013 Vincent D13/184
- D686,198 S * 7/2013 Lewis D14/240
- D688,707 S * 8/2013 Vincent D14/496
- D696,297 S * 12/2013 Fang D14/496
- D722,983 S * 2/2015 Paredes D13/168

(Continued)

OTHER PUBLICATIONS

Gateway. (Design—© Questel) orbit.com.[online PDF] 3 pgs. Print Date Feb. 15, 2017. [Retrieved on Apr. 1, 2019] <https://sobjprd.questel.fr/export/QPTUJ214/pdf2/2bce2315-a951-4c25-8b4d-35b866c65b3e-154537.pdf>.*

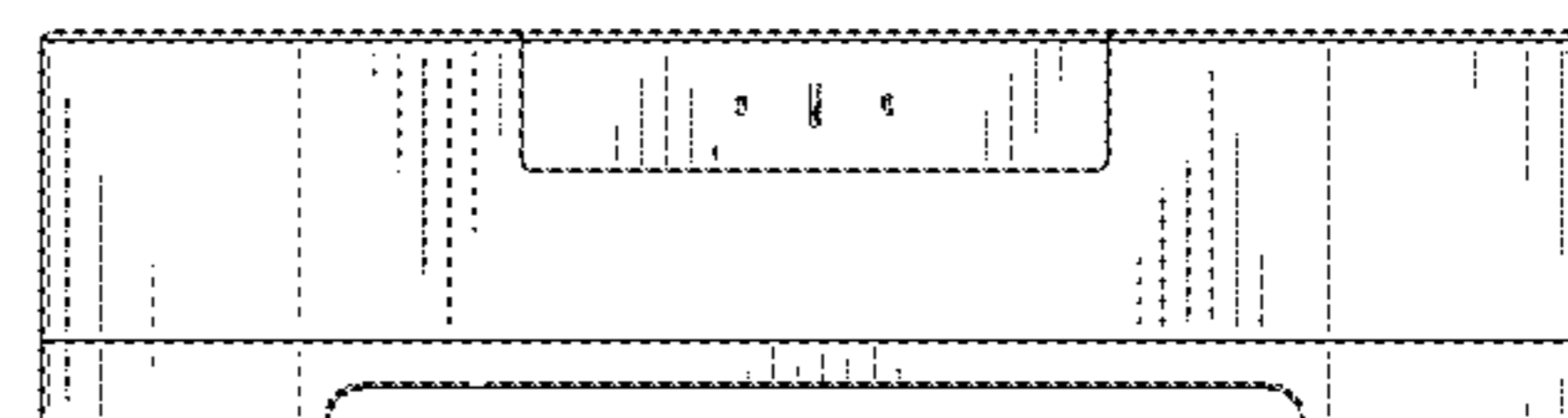
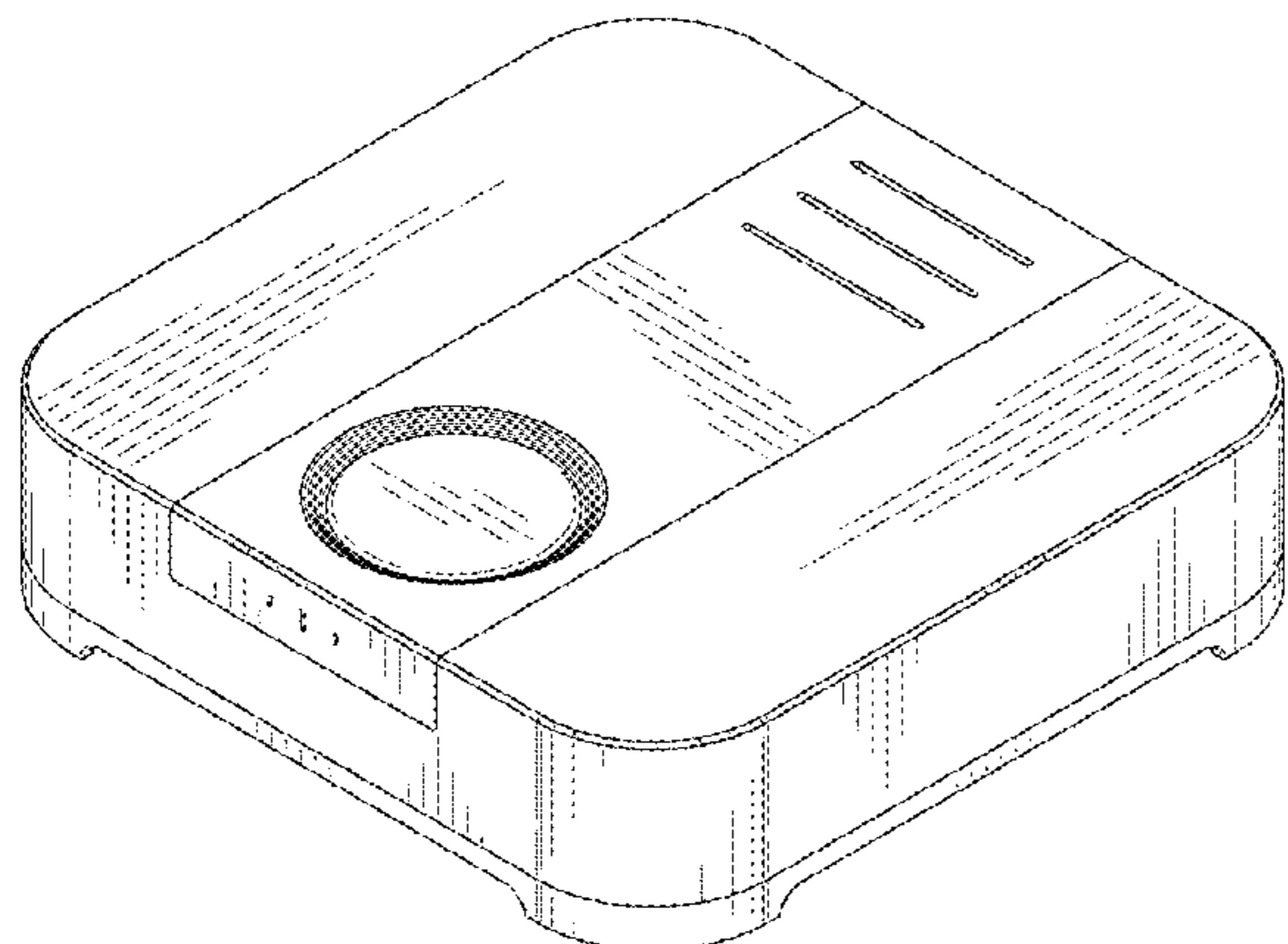
Primary Examiner — Marie D. Fast Horse
(74) *Attorney, Agent, or Firm* — Amster, Rothstein & Ebenstein LLP

(57) **CLAIM**
The ornamental design for a gateway electronic device, as shown and described.

DESCRIPTION

FIG. 1 is perspective view of a gateway electronic device showing my new design;
FIG. 2 is a front view thereof;
FIG. 3 is a rear view thereof;
FIG. 4 is a side view thereof;
FIG. 5 is an opposite side view thereof;
FIG. 6 is a top view thereof; and,
FIG. 7 is a bottom view thereof.

1 Claim, 5 Drawing Sheets



(56)

References Cited

U.S. PATENT DOCUMENTS

D744,483 S	*	12/2015	Barbu	D14/358
D751,515 S	*	3/2016	Paredes	D13/168
D810,060 S	*	2/2018	Cowles	D14/239
D810,944 S	*	2/2018	Goolkasian	D24/167
D820,244 S	*	6/2018	Cowles	D14/239
D831,646 S	*	10/2018	Kusano	D14/358

* cited by examiner

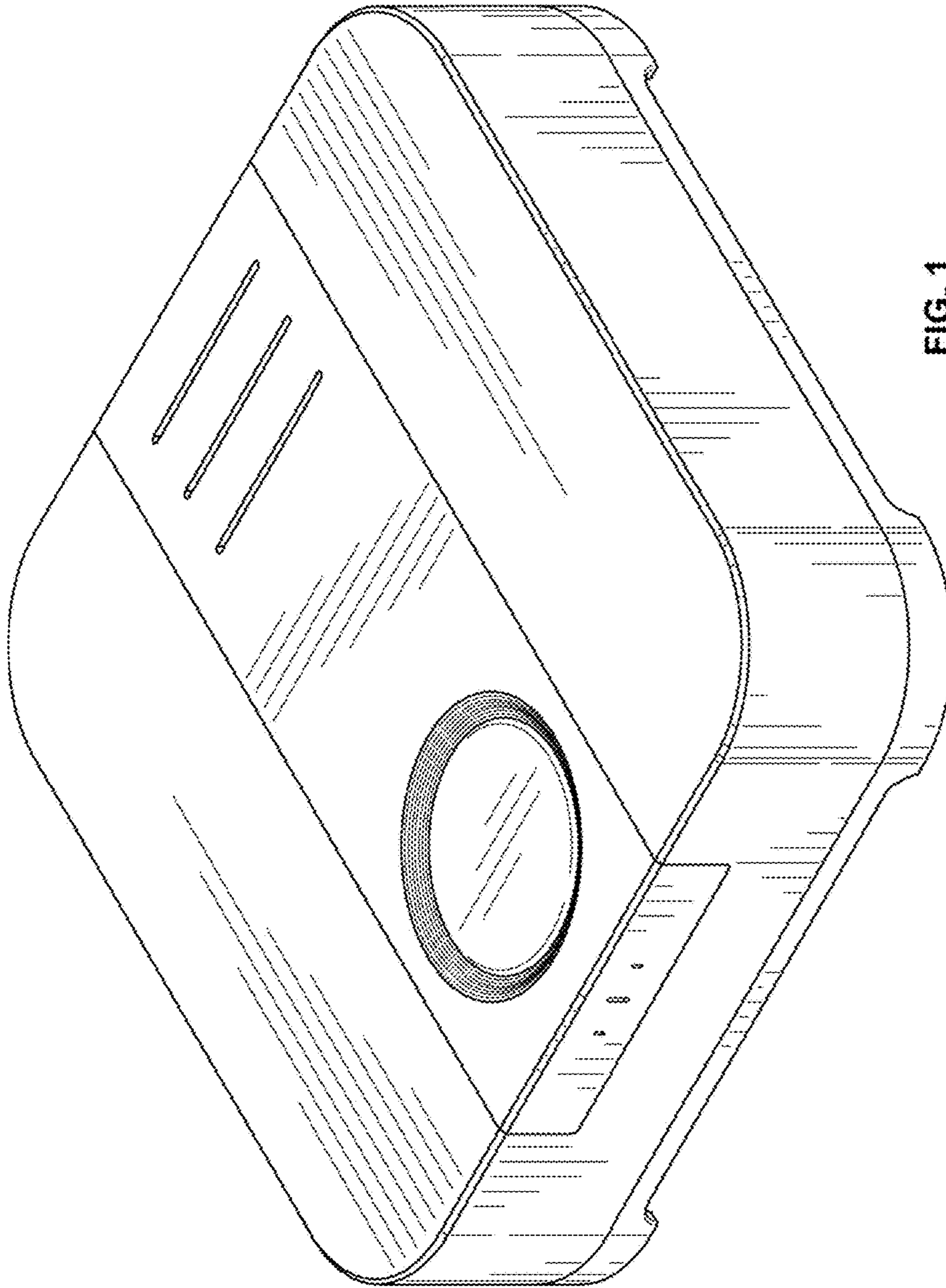


FIG. 1

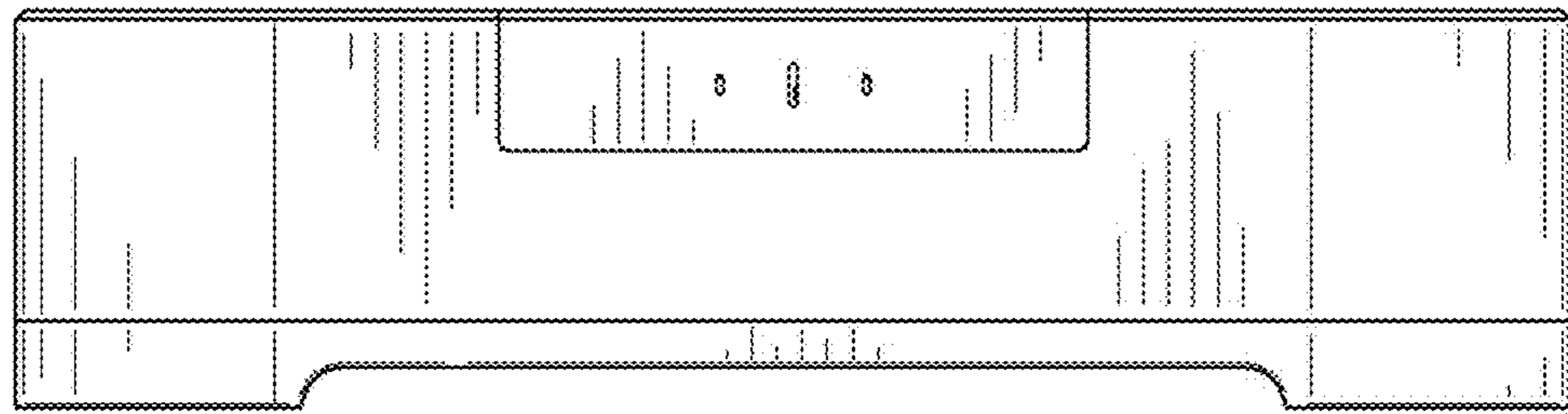


FIG. 2

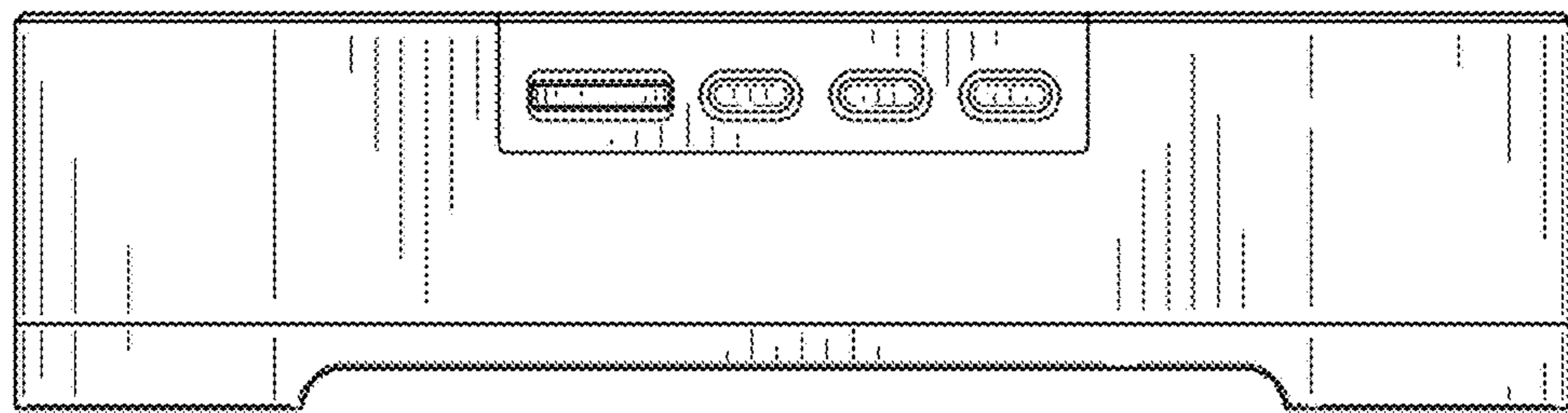


FIG. 3

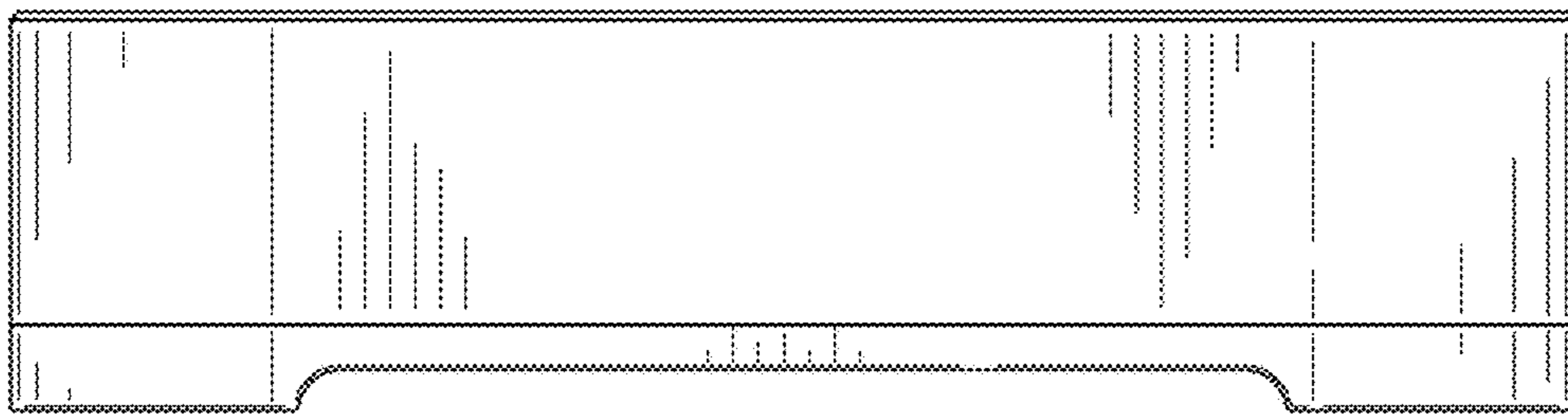


FIG. 4

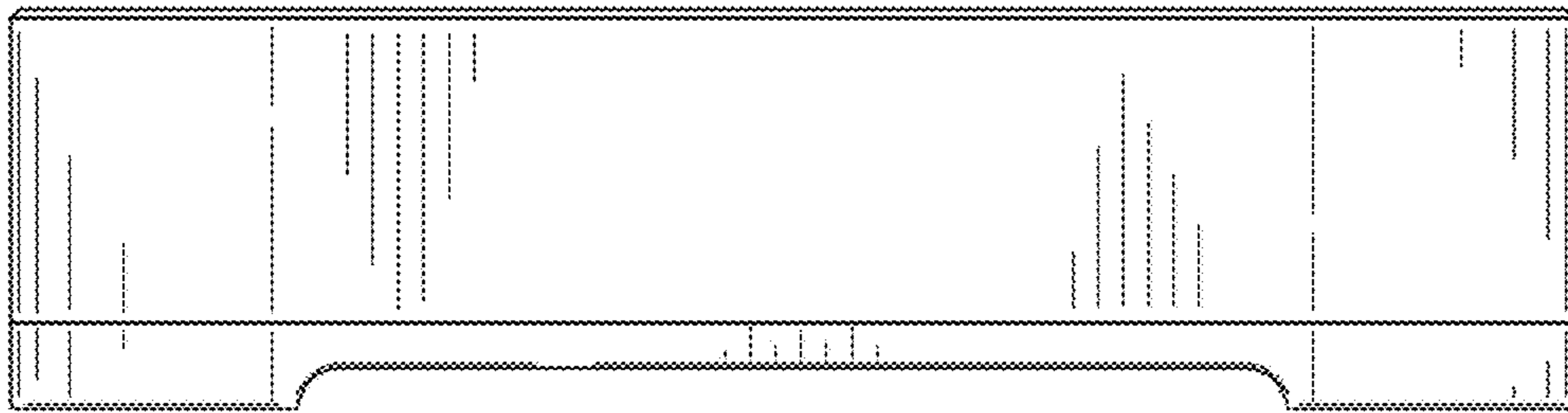


FIG. 5

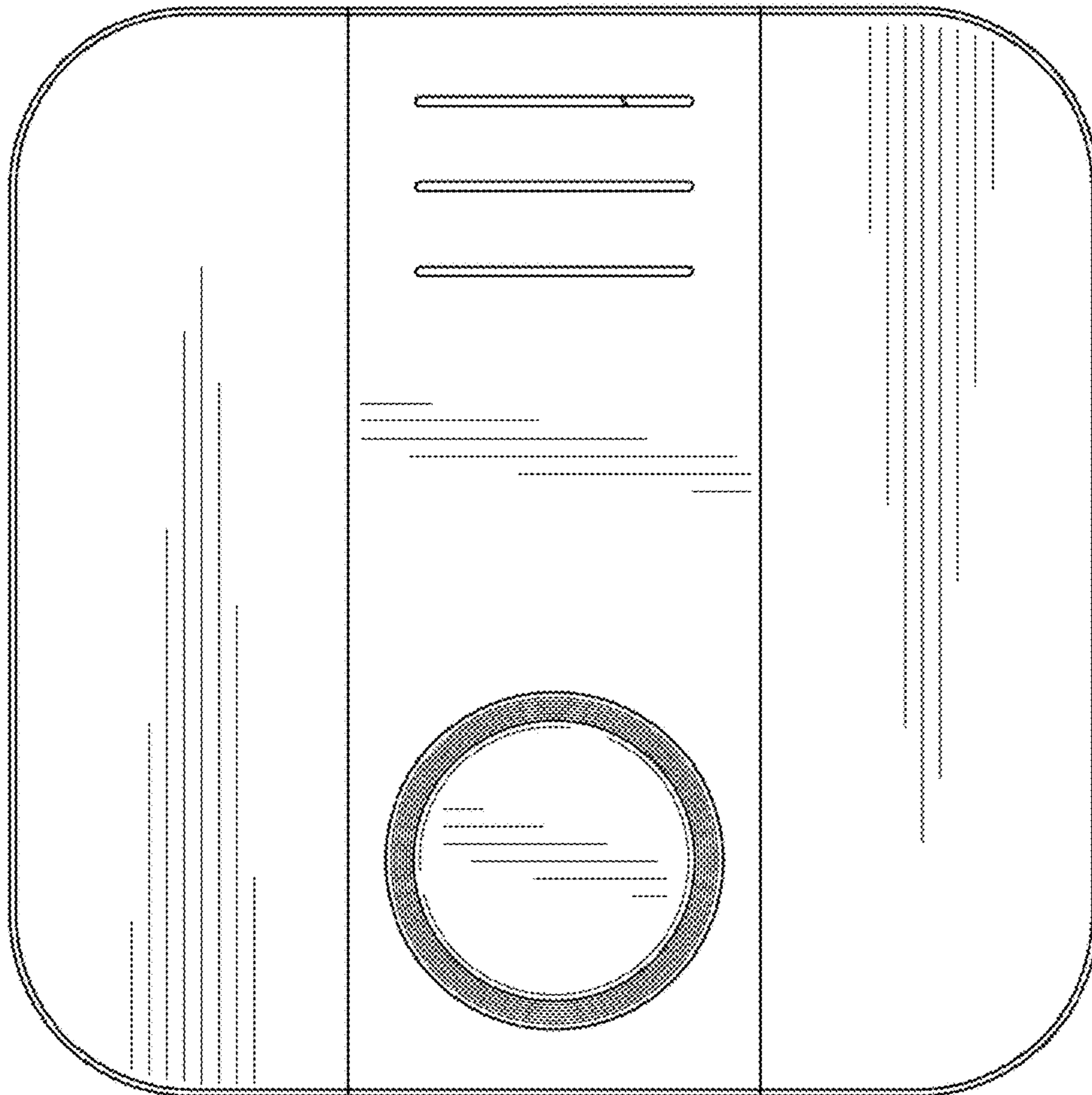


FIG. 6

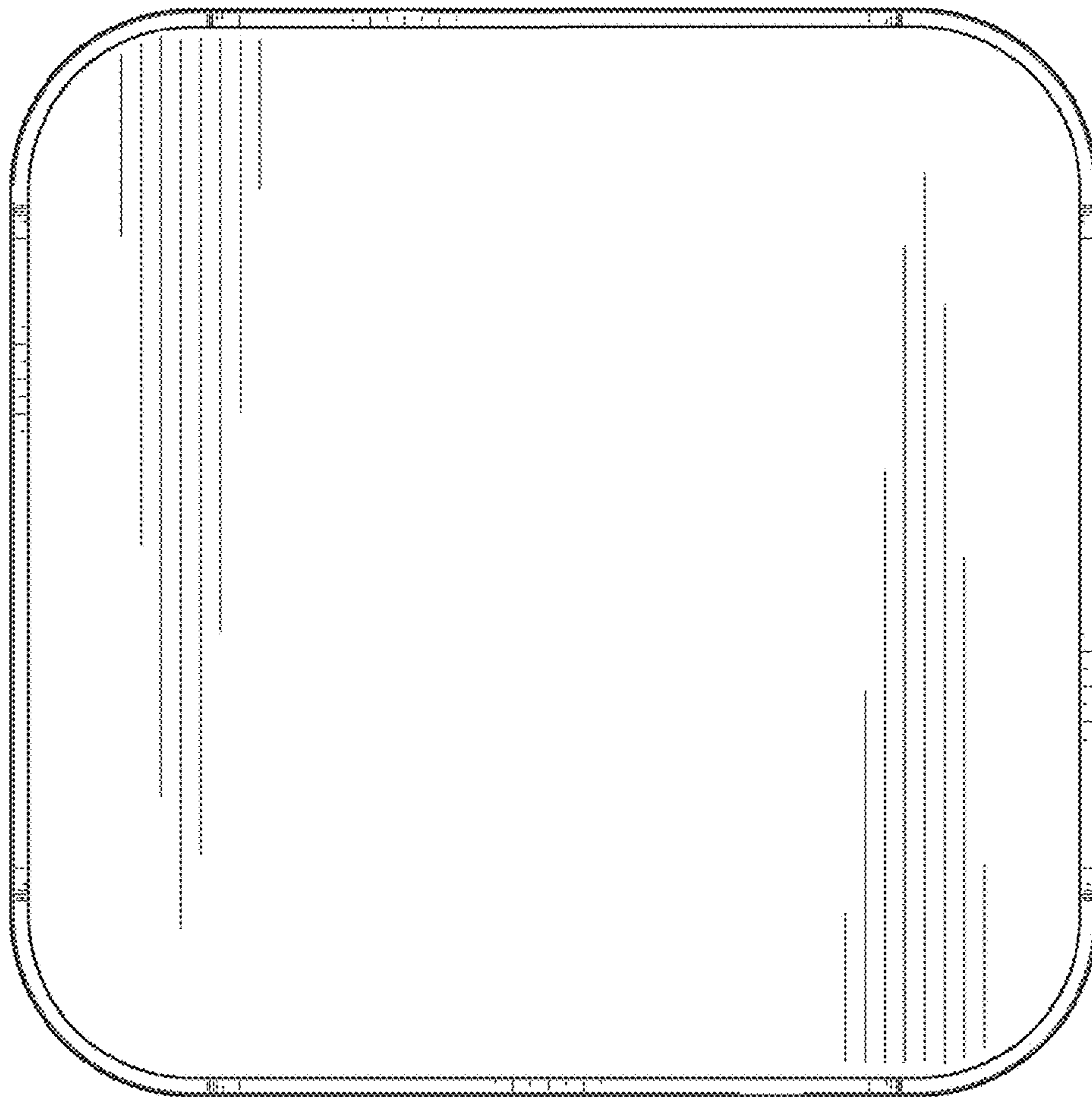


FIG. 7