



US00D857677S

(12) **United States Design Patent** (10) **Patent No.:** **US D857,677 S**  
**Formica et al.** (45) **Date of Patent:** **\*\* Aug. 27, 2019**

(54) **SMARTPHONE CLIP**  
(71) Applicant: **ResMed Pty Ltd**, Bella Vista, New South Wales (AU)  
(72) Inventors: **Justin John Formica**, Sydney (AU); **Sung Hoon Mun**, Sydney (AU)  
(73) Assignee: **ResMed Pty Ltd**, Bella Vista (AU)  
(\*\*) Term: **15 Years**  
(21) Appl. No.: **29/629,014**  
(22) Filed: **Dec. 11, 2017**  
(51) **LOC (12) Cl.** ..... **14-03**  
(52) **U.S. Cl.**  
USPC ..... **D14/240**  
(58) **Field of Classification Search**  
USPC ..... D14/240, 242, 357, 358, 125, 126, D14/140-140.9  
CPC ..... H04L 12/00; H03K 17/00; H04W 88/00; H04W 88/005; H04W 88/02; H04W 88/08; H04W 88/085; H04W 88/10; H04W 88/12; H04W 88/14; H04B 1/38  
See application file for complete search history.

(56) **References Cited**  
U.S. PATENT DOCUMENTS  
D471,927 S \* 3/2003 Kim ..... D14/240  
D478,576 S \* 8/2003 Leong ..... D14/223  
D478,578 S \* 8/2003 Hao ..... D14/155  
D526,663 S \* 8/2006 Bang ..... D14/203.5  
D532,001 S \* 11/2006 Burke ..... D14/240  
D596,635 S \* 7/2009 Owens ..... D14/358  
D626,950 S \* 11/2010 Roman ..... D14/240  
D674,784 S \* 1/2013 Choi ..... D14/240  
D697,501 S \* 1/2014 Fargeau ..... D14/240  
D706,266 S \* 6/2014 Rotsaert ..... D14/385  
D720,335 S \* 12/2014 Ervin ..... D14/240  
D720,336 S \* 12/2014 Ervin ..... D14/240

(Continued)

*Primary Examiner* — Bridget L Eland  
(74) *Attorney, Agent, or Firm* — Nixon & Vanderhye P.C.

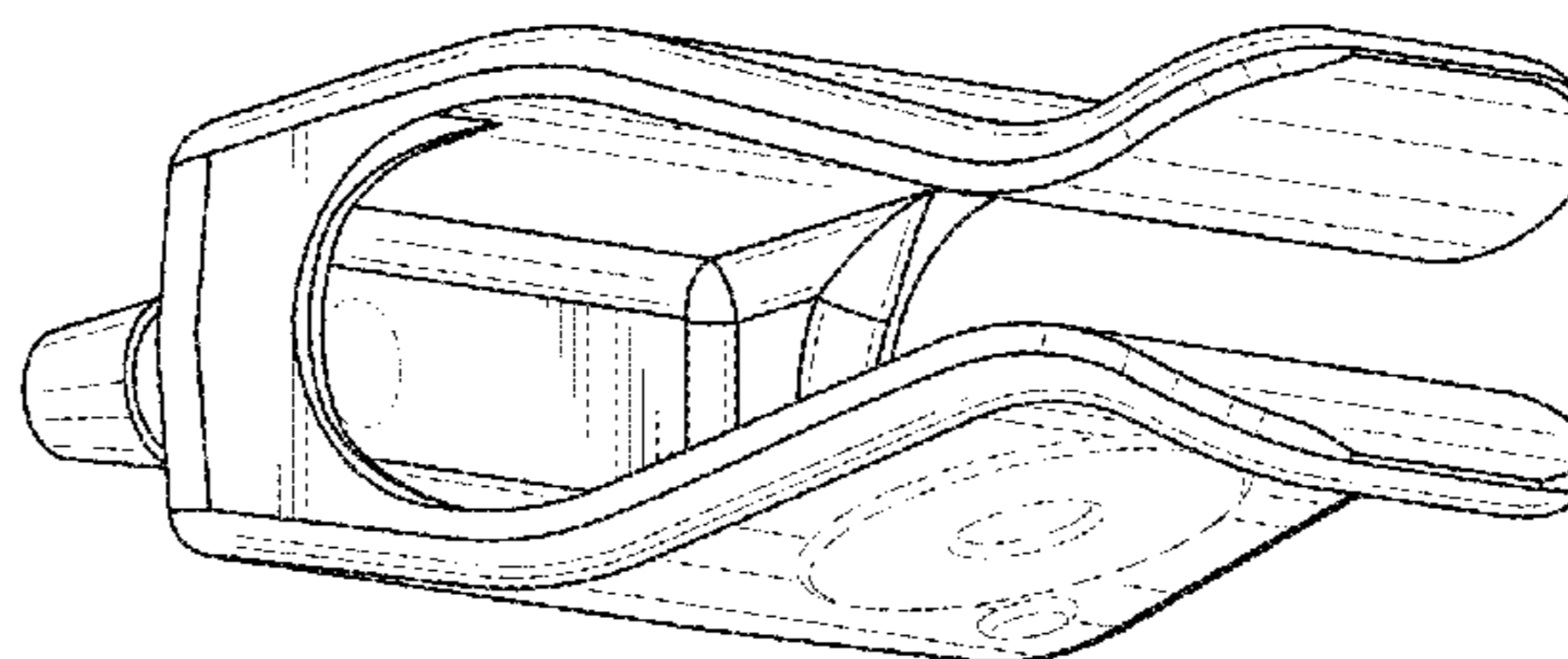
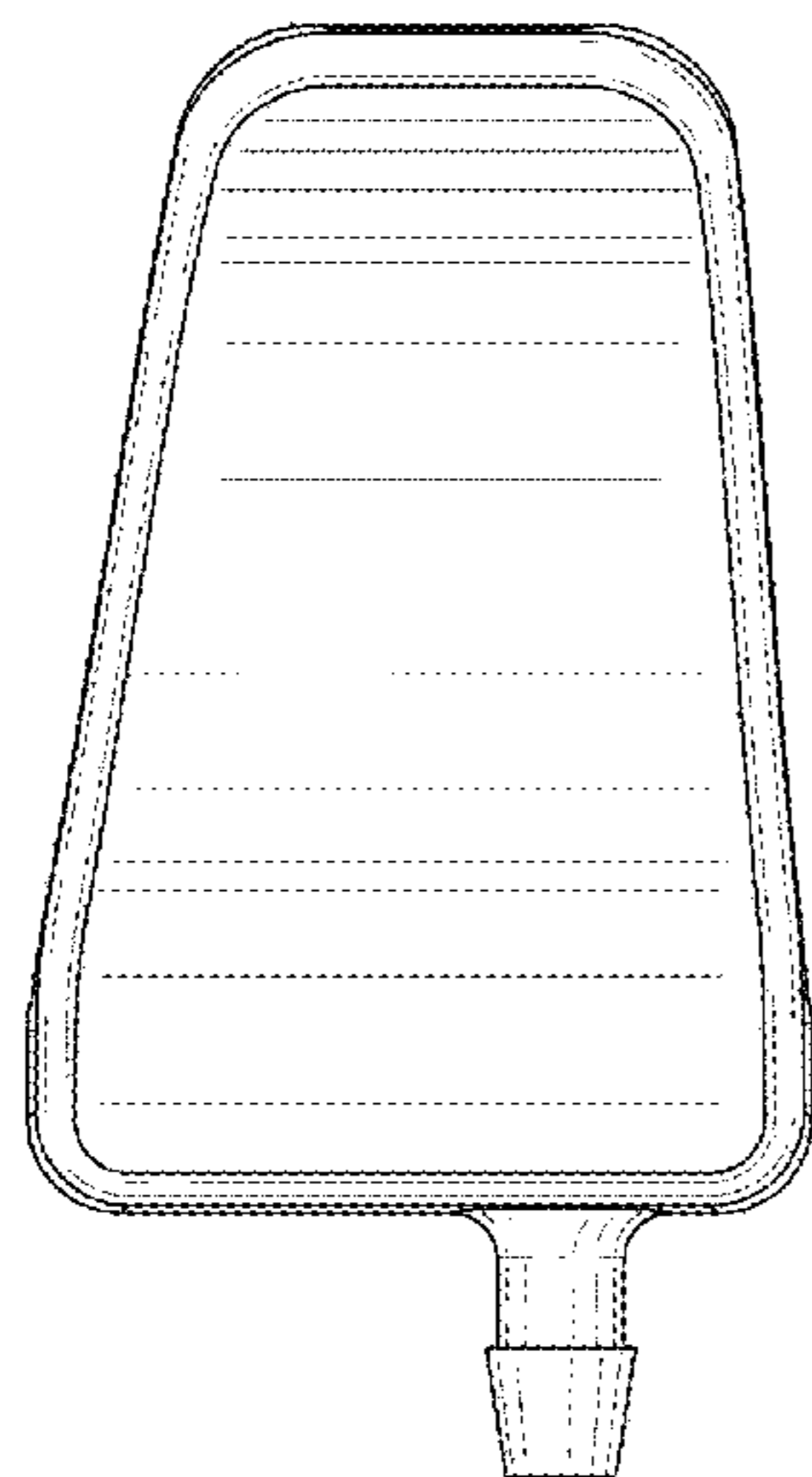
(57) **CLAIM**  
The ornamental design for a smartphone clip, as shown and described.

**DESCRIPTION**

FIG. 1 is a front perspective view of a smartphone clip showing a first embodiment of our new design in a sample environmental setting;  
FIG. 2 is an enlarged perspective view thereof, showing the smartphone clip in isolation;  
FIG. 3 is another perspective view thereof;  
FIG. 4 is a bottom view thereof;  
FIG. 5 is a top view thereof;  
FIG. 6 is a right side view thereof;  
FIG. 7 is a left side view thereof;  
FIG. 8 is a front view thereof;  
FIG. 9 is a rear view thereof;  
FIG. 10 is yet another perspective view thereof;  
FIG. 11 is a front perspective view of a smartphone clip showing a second embodiment of our new design in a sample environmental setting;  
FIG. 12 is an enlarged perspective view thereof, showing the smartphone clip in isolation;  
FIG. 13 is another perspective view thereof;  
FIG. 14 is a bottom view thereof;  
FIG. 15 is a top view thereof;  
FIG. 16 is a right side view thereof;  
FIG. 17 is a left side view thereof;  
FIG. 18 is a front view thereof;  
FIG. 19 is a rear view thereof; and,  
FIG. 20 is yet another perspective view thereof.

The broken lines immediately adjacent the shaded areas represent the bounds of the claimed design while all other broken lines are directed to environment and are for illustrative purposes only; the broken lines form no part of the claimed design.

**1 Claim, 8 Drawing Sheets**



(56)

**References Cited**

U.S. PATENT DOCUMENTS

D720,730 S *	1/2015	Smith .....	D14/242
D734,306 S *	7/2015	Appleton .....	D14/240
D735,180 S *	7/2015	Smith .....	D14/242
D742,367 S *	11/2015	Appleton .....	D14/240
D753,098 S *	4/2016	Smith .....	D14/242

\* cited by examiner

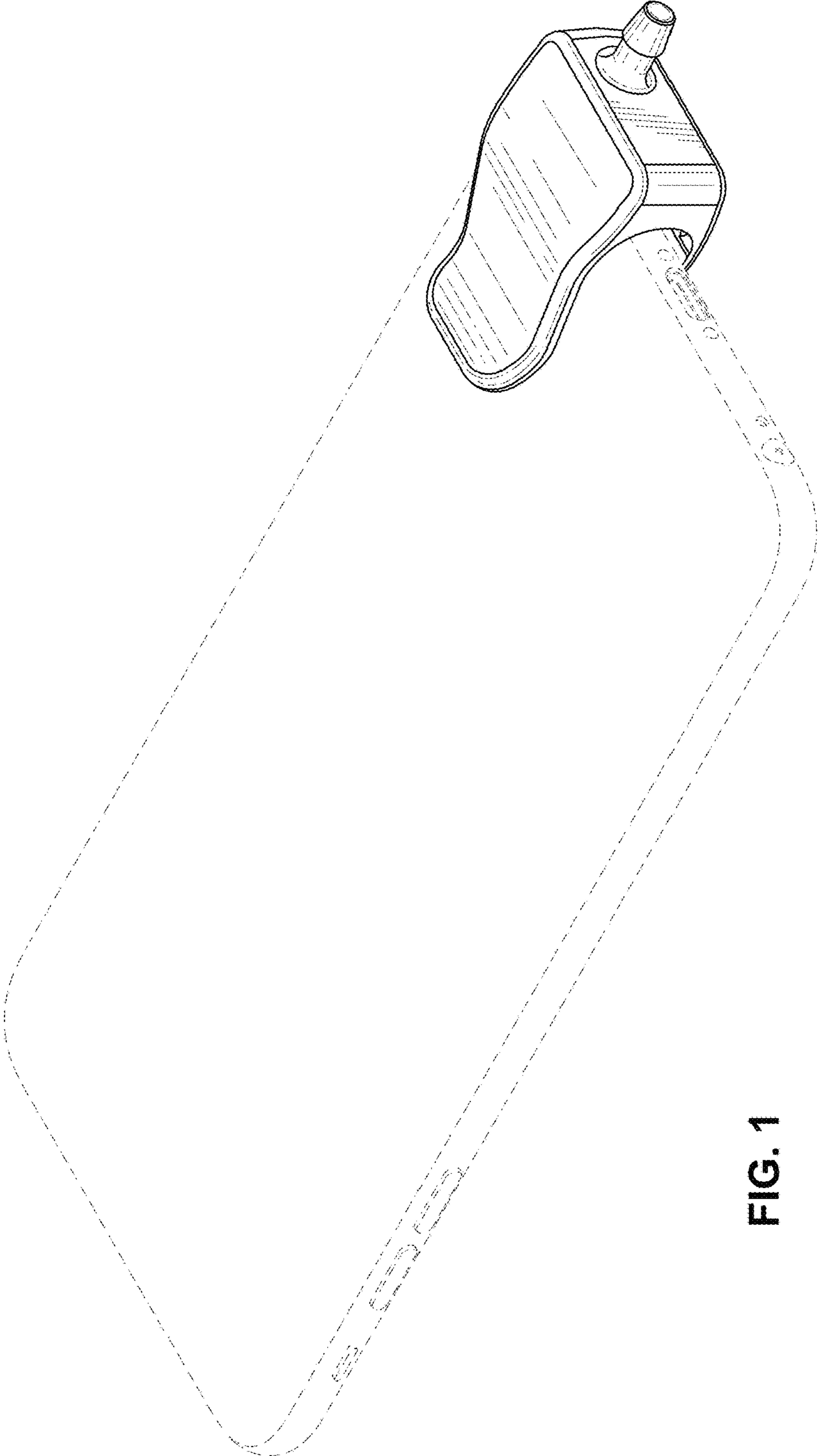
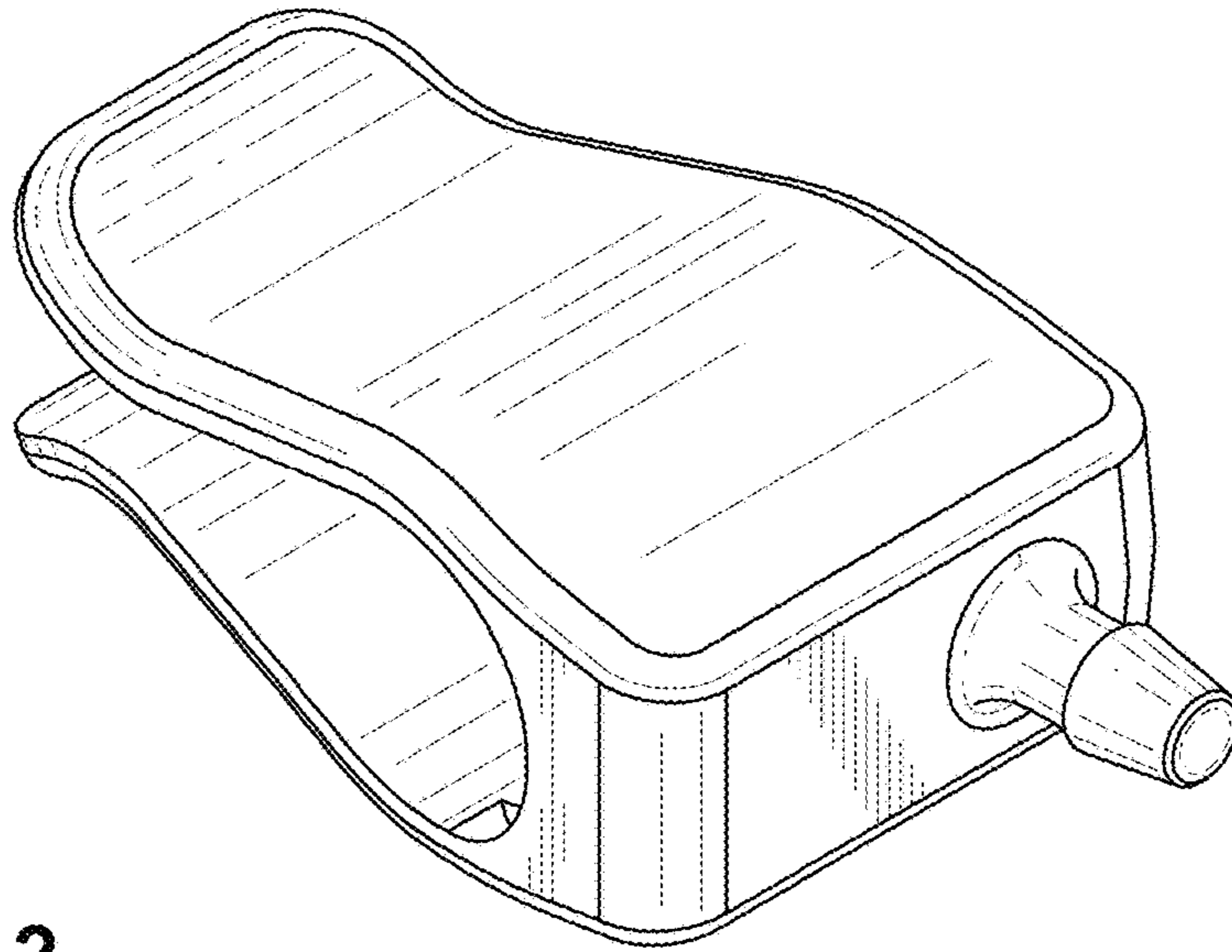
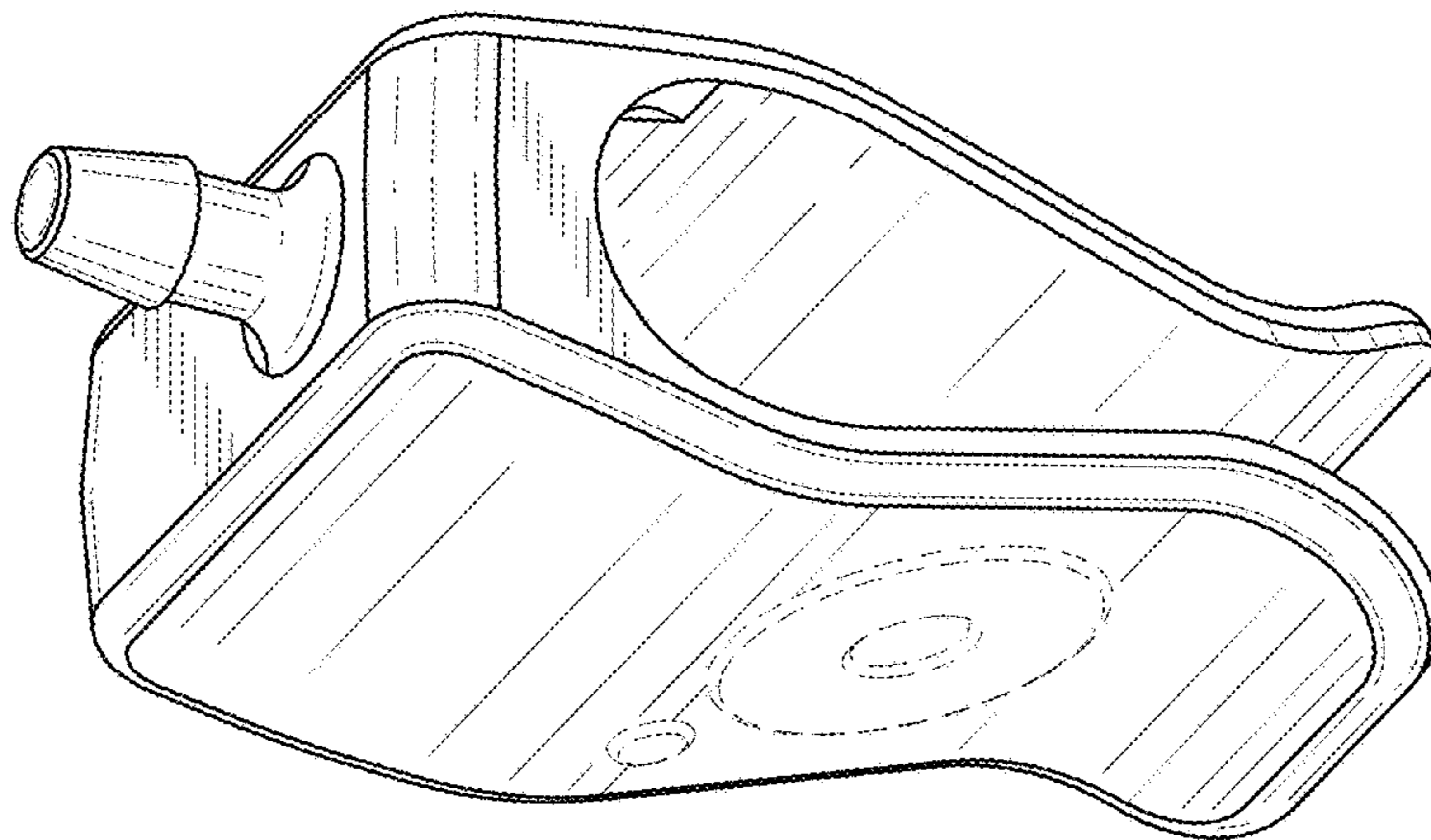


FIG. 1



**FIG. 2**



**FIG. 3**

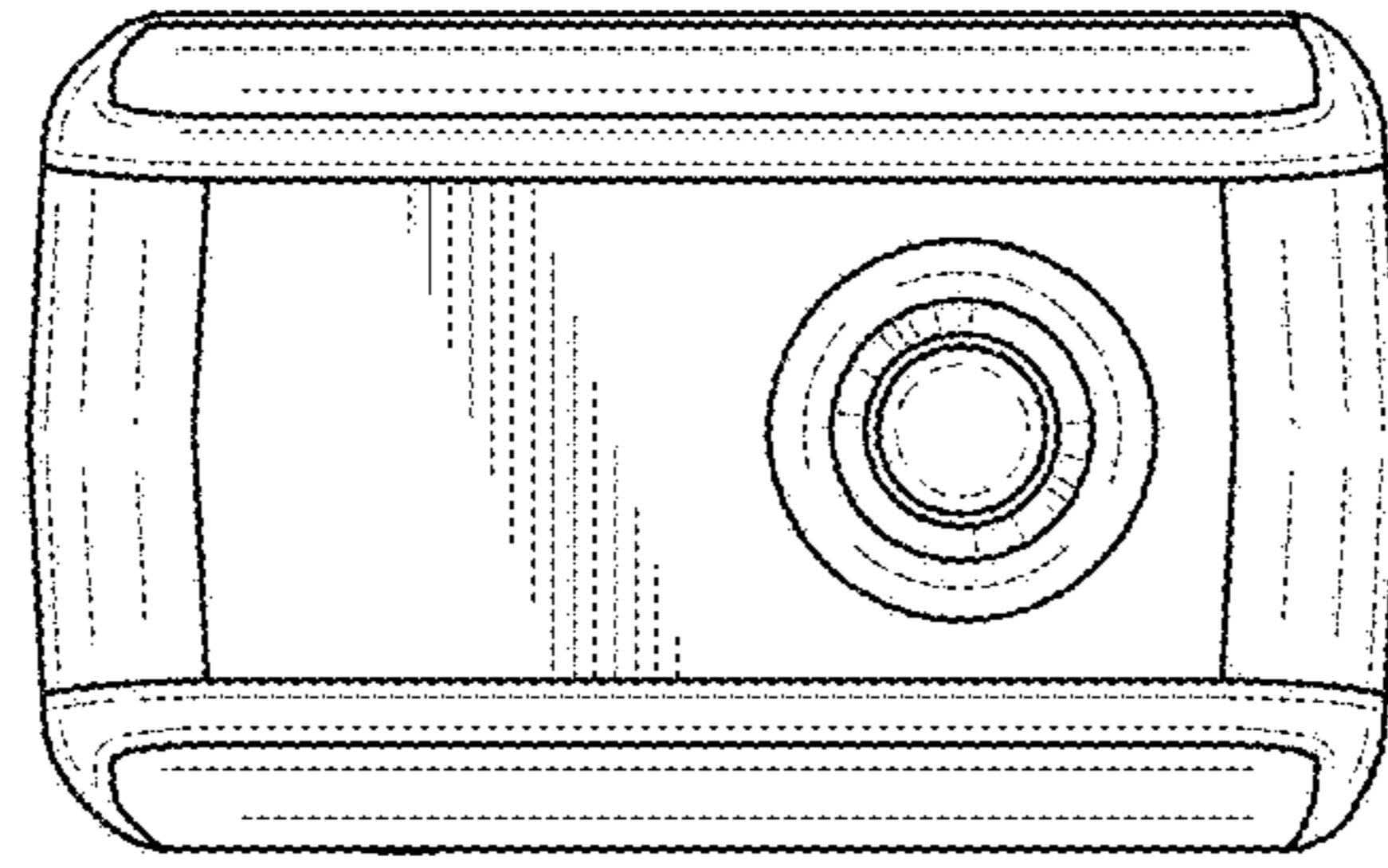


FIG. 4

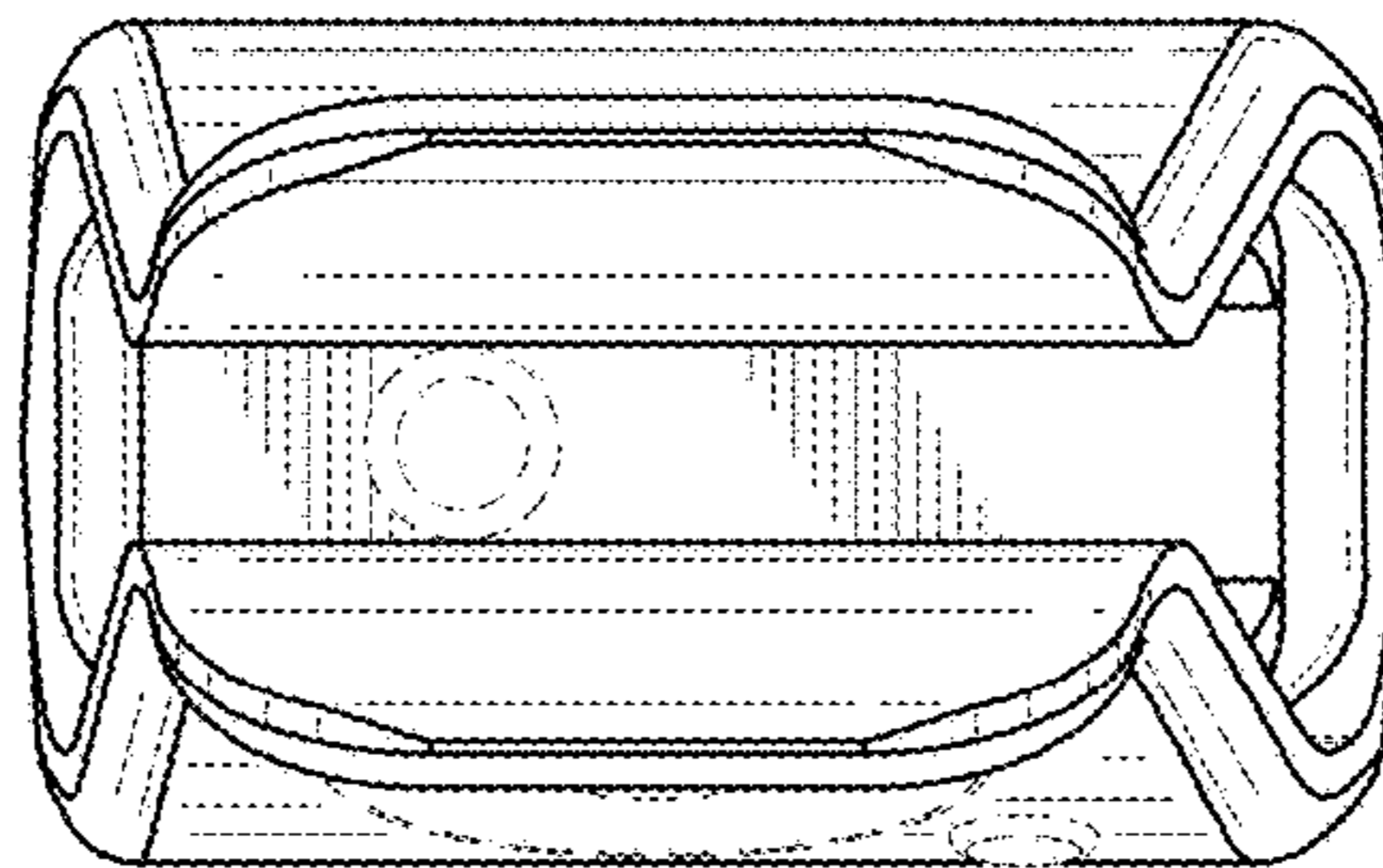


FIG. 5

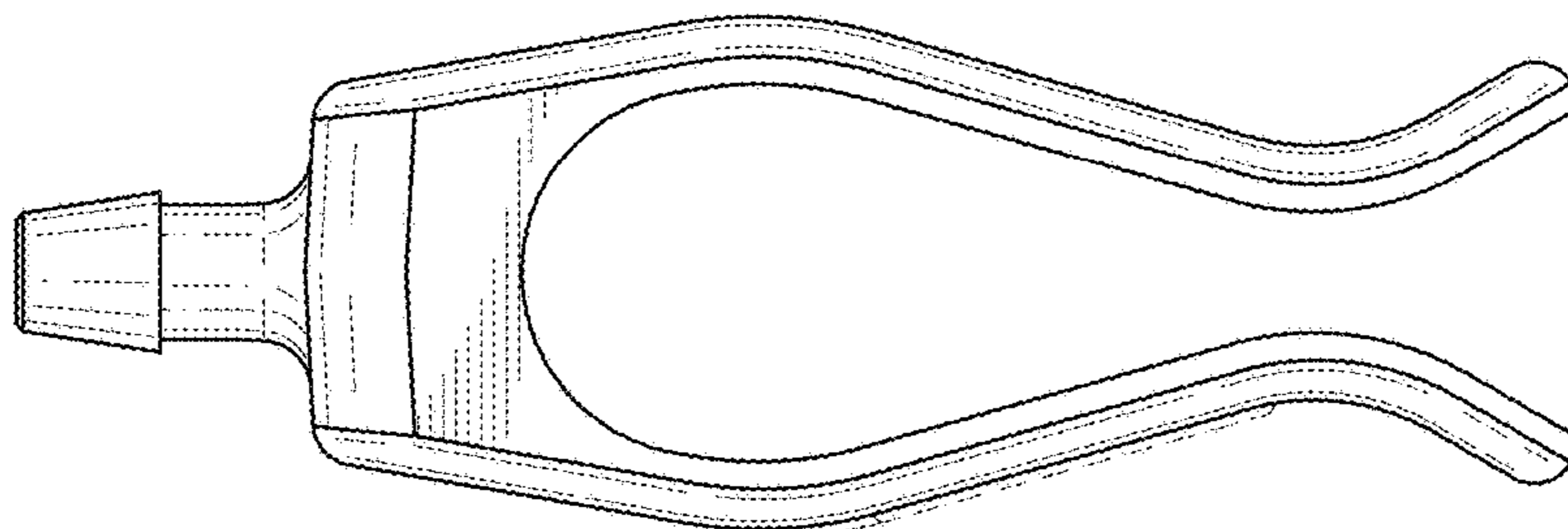


FIG. 6

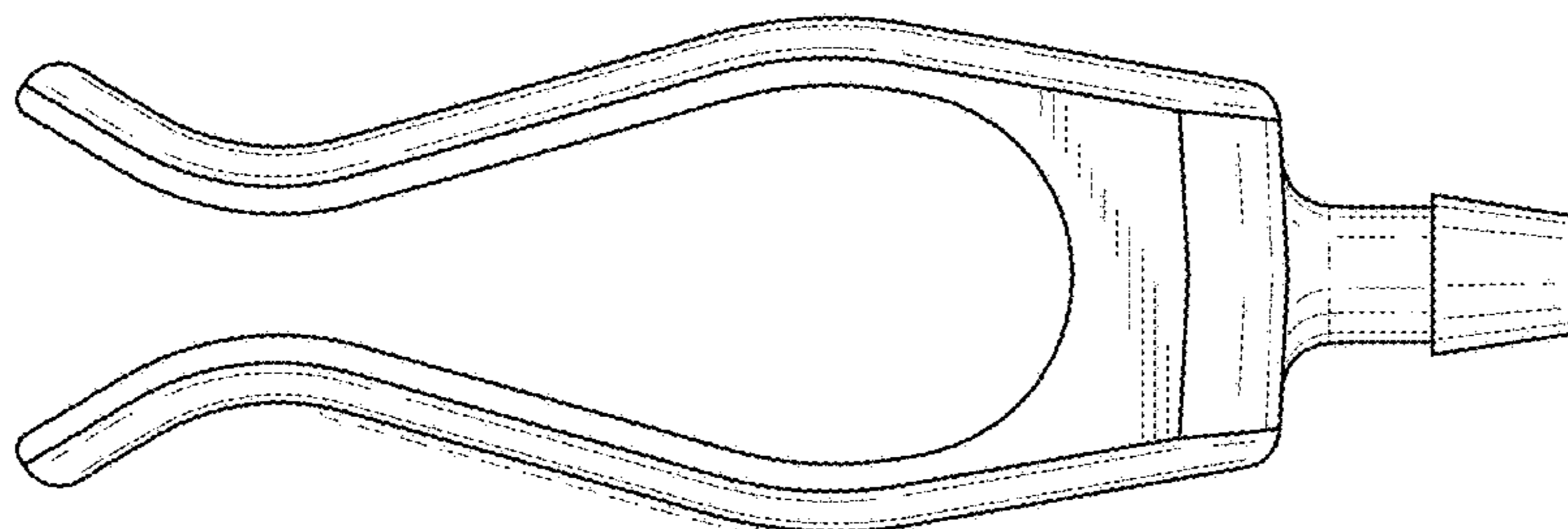


FIG. 7

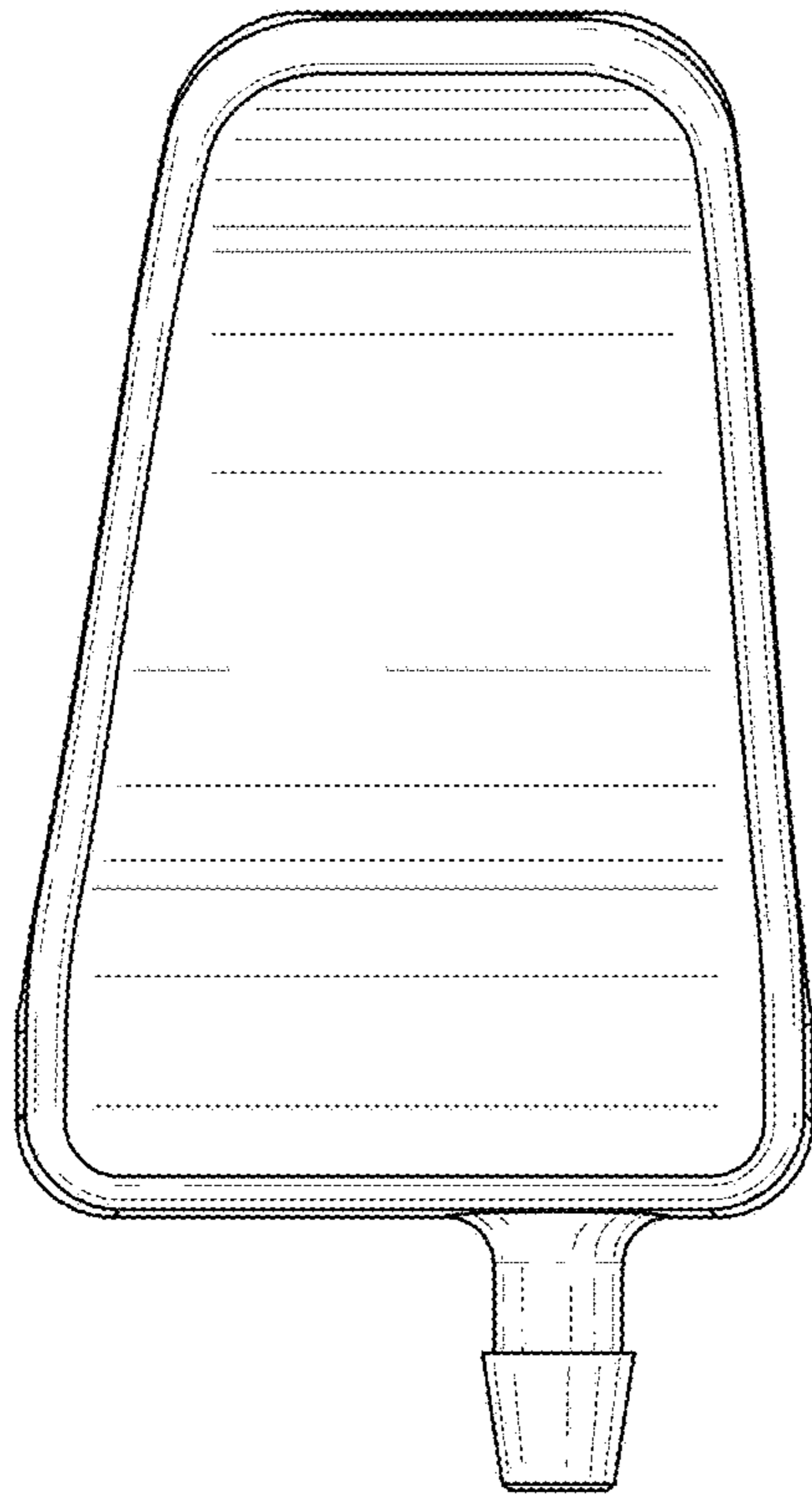


FIG. 8

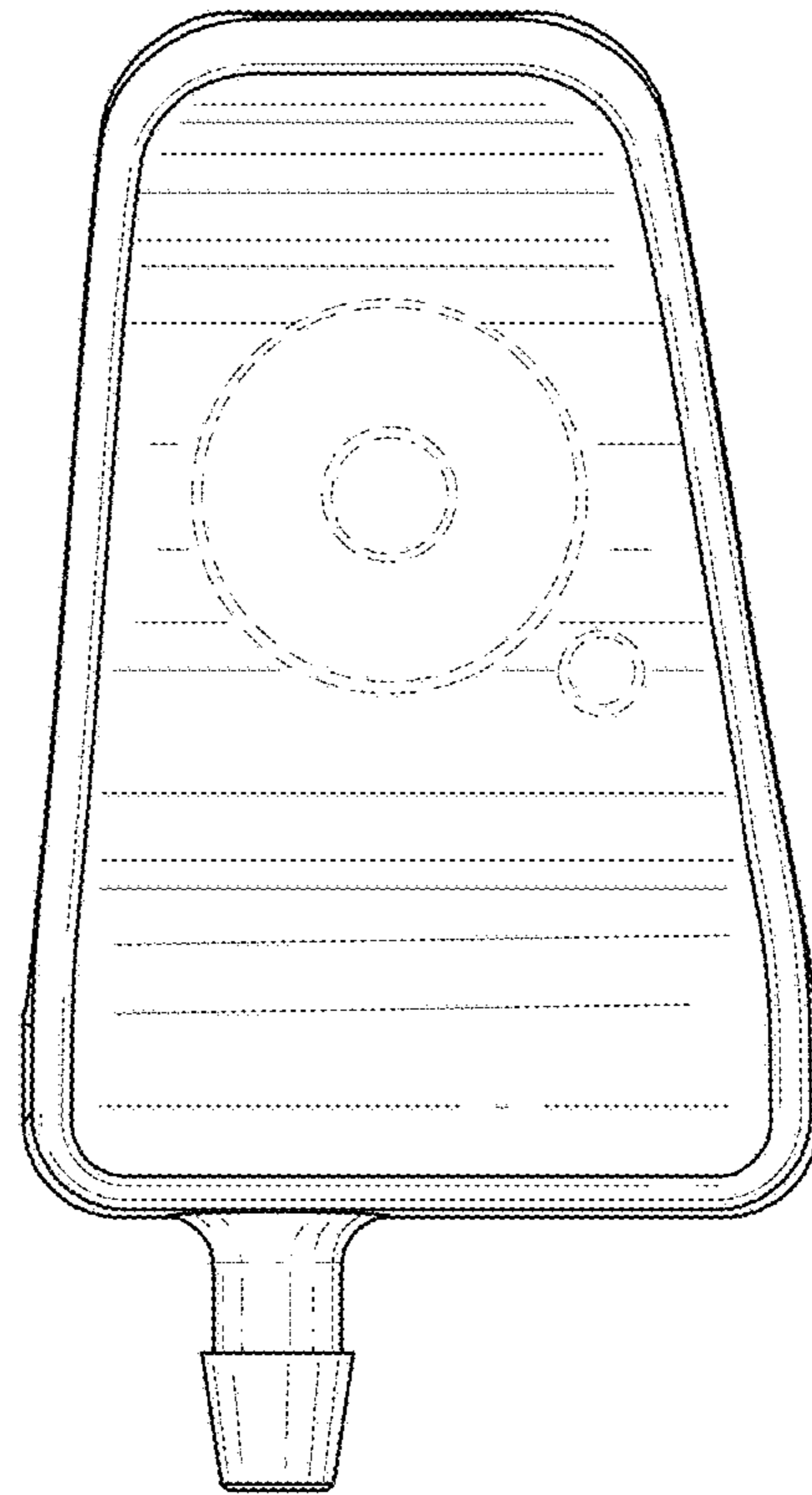


FIG. 9

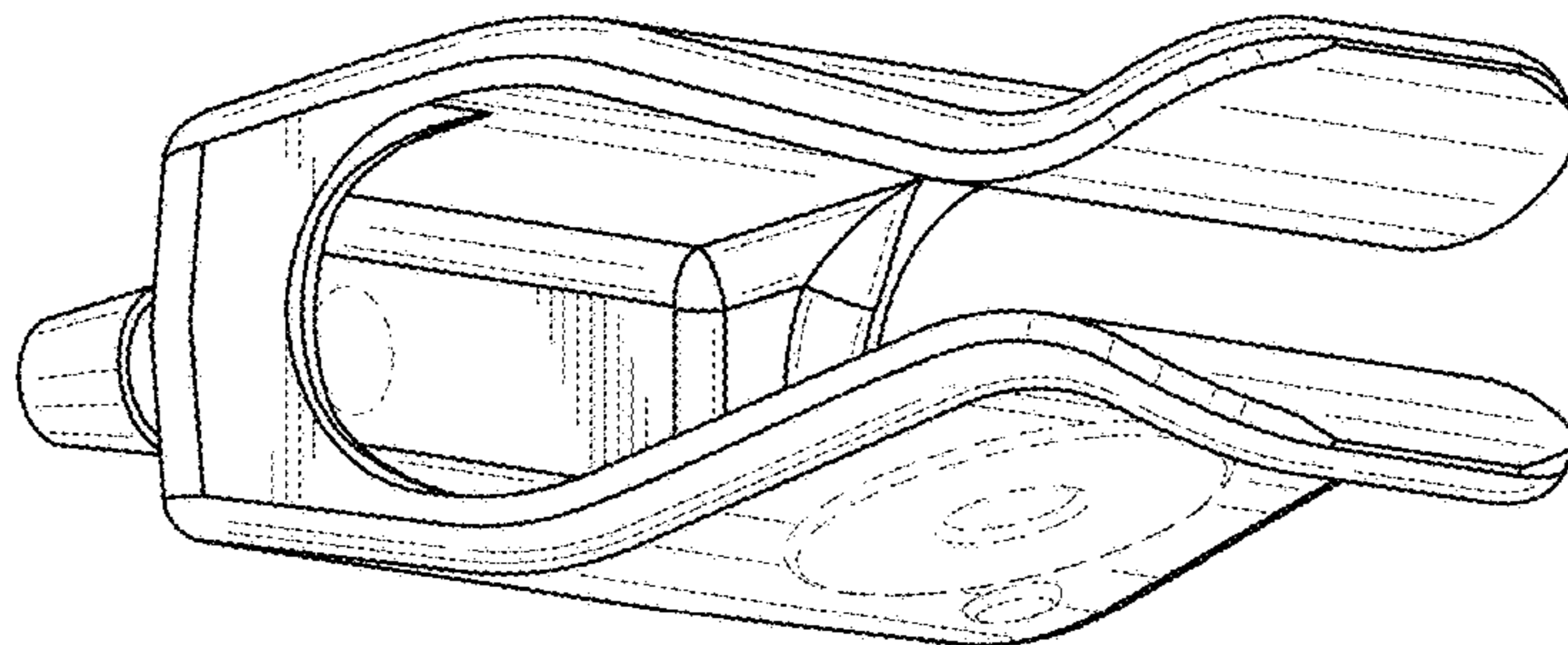


FIG. 10

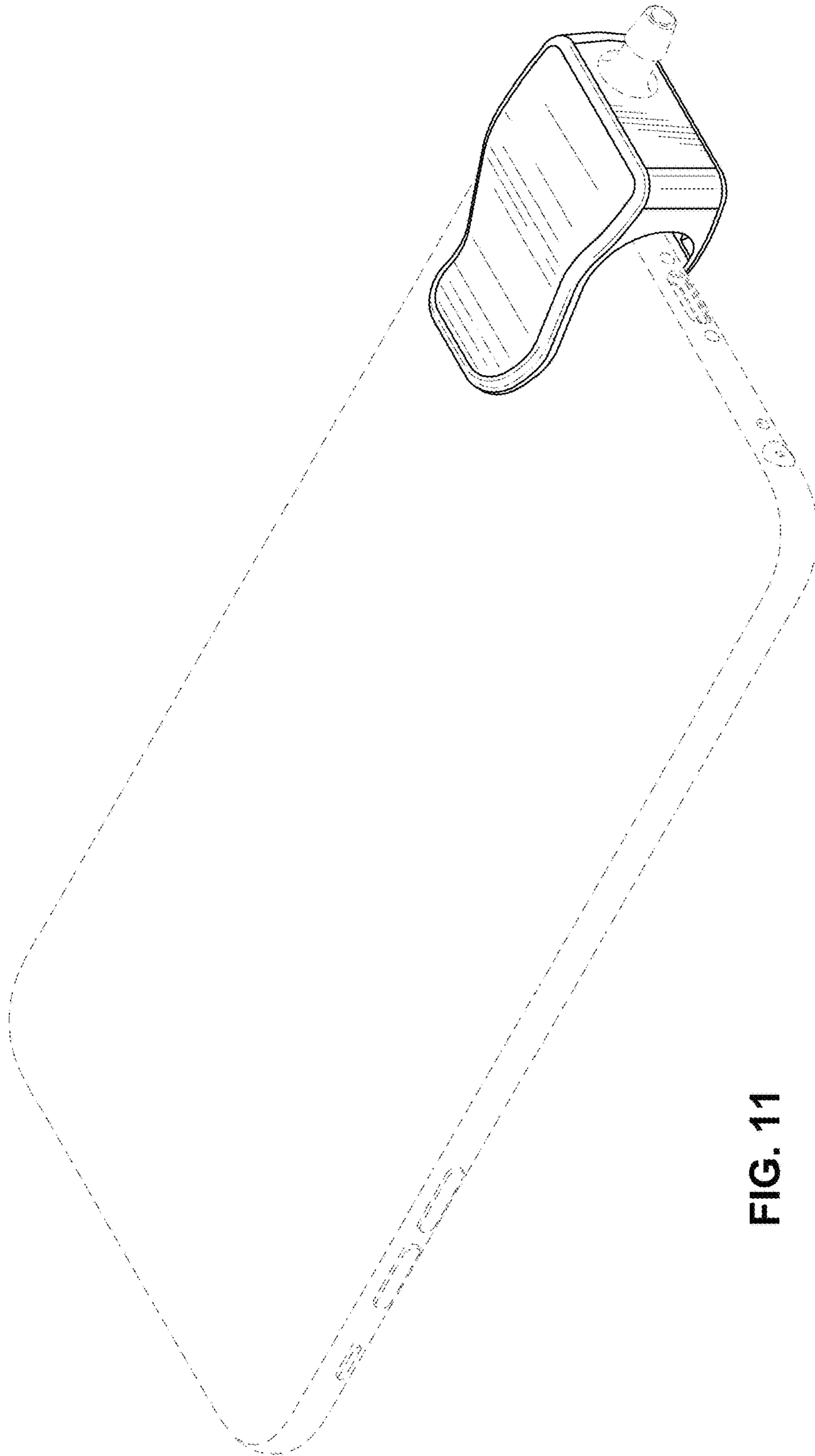
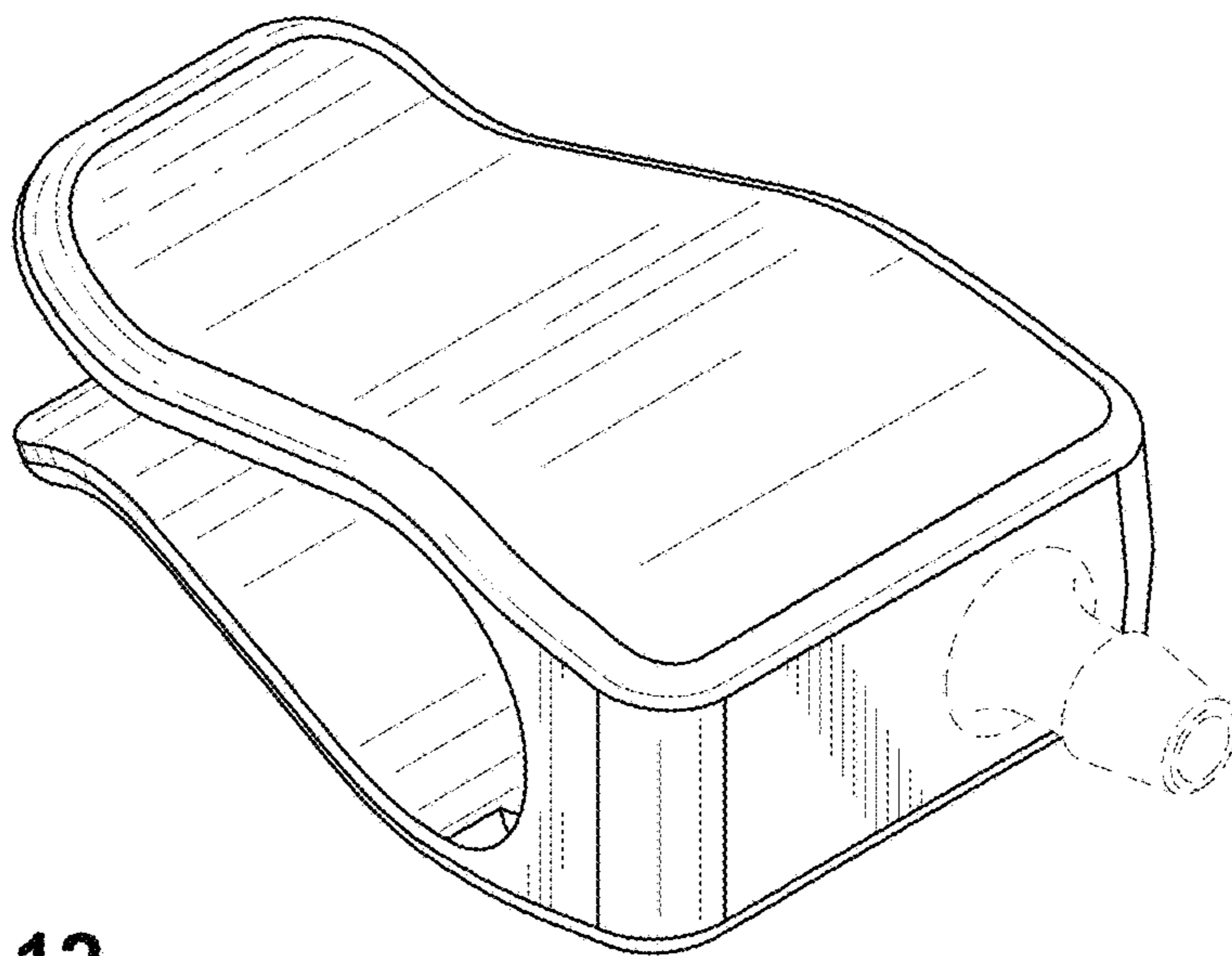
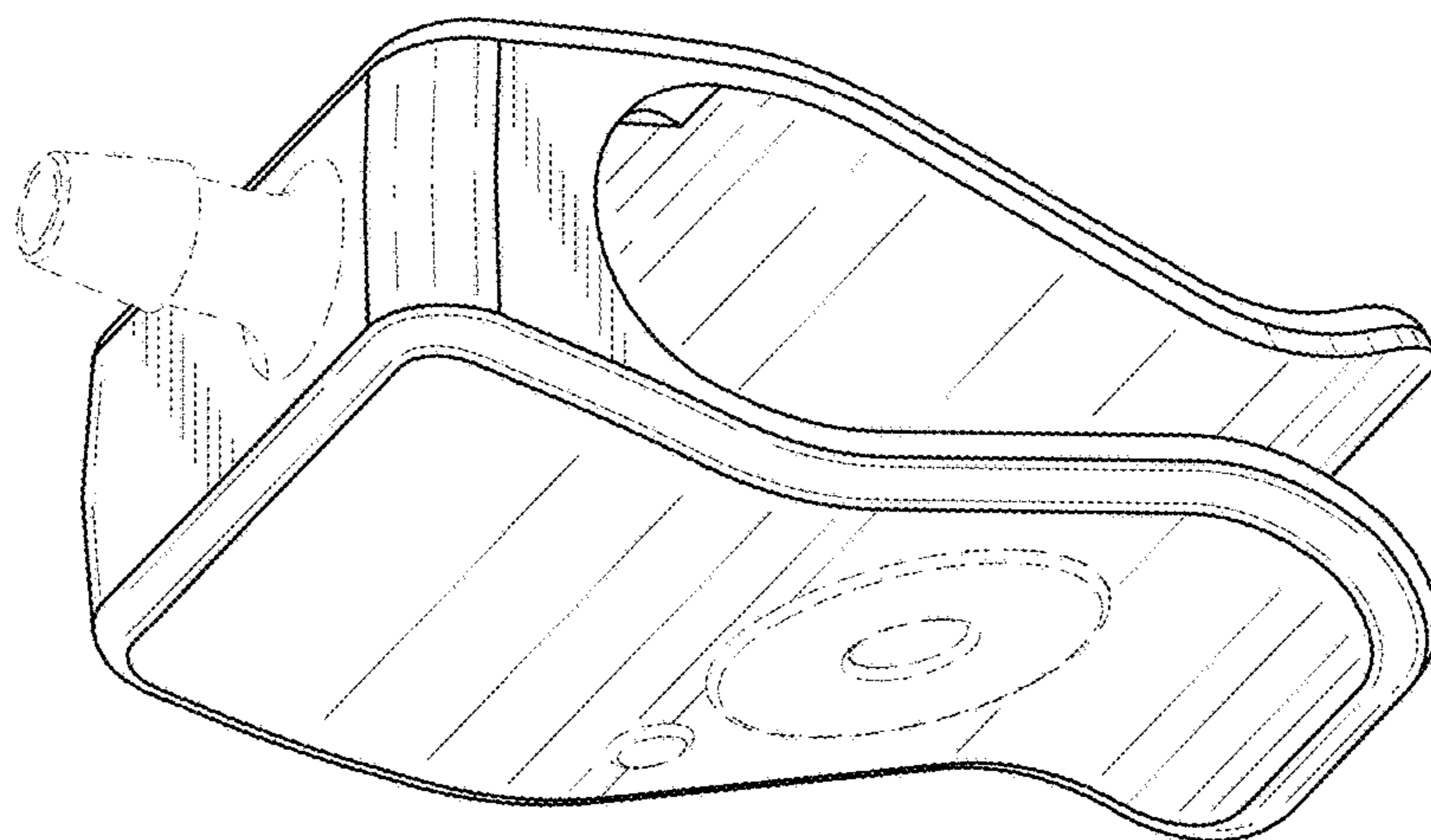


FIG. 11



**FIG. 12**



**FIG. 13**



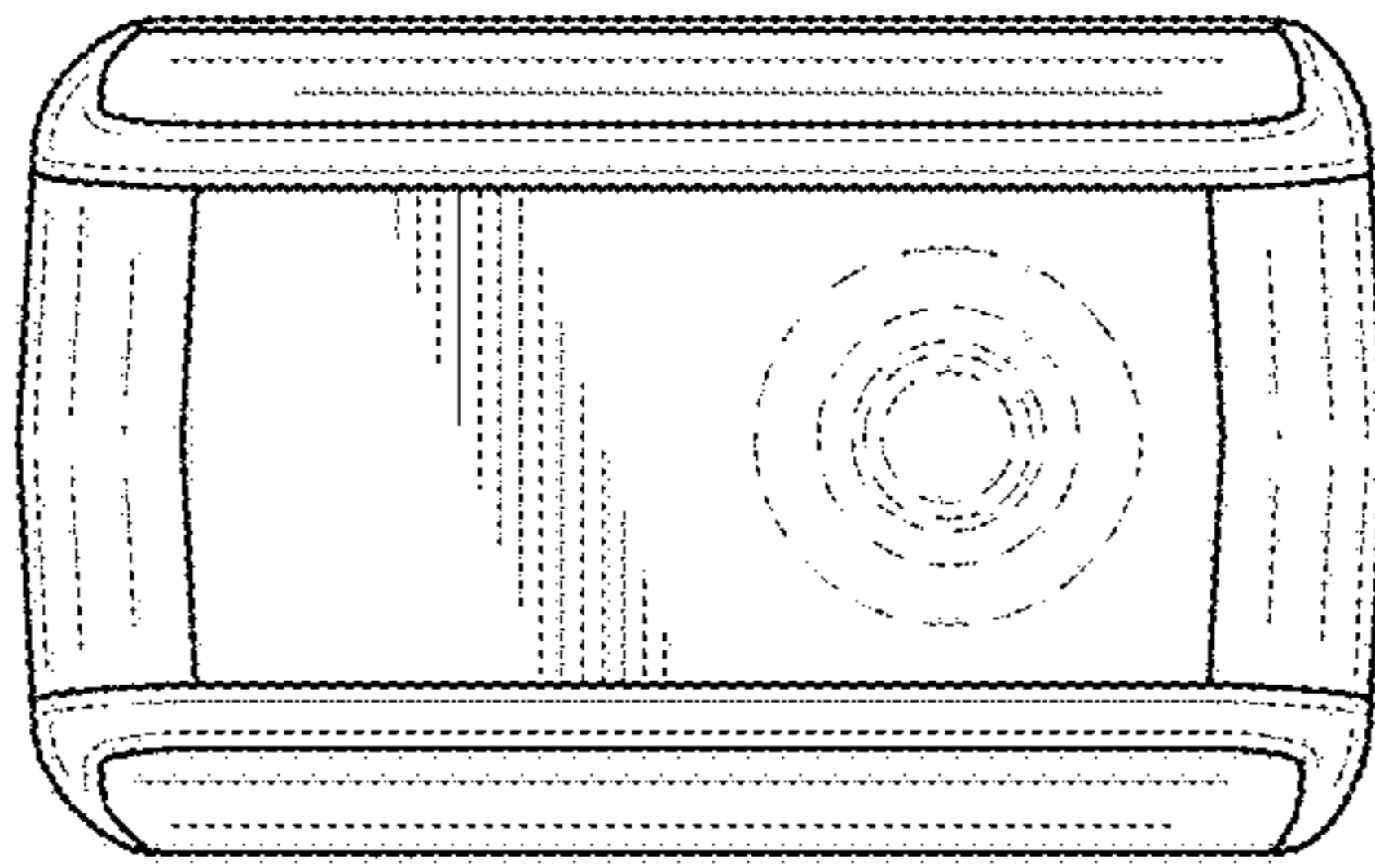


FIG. 14

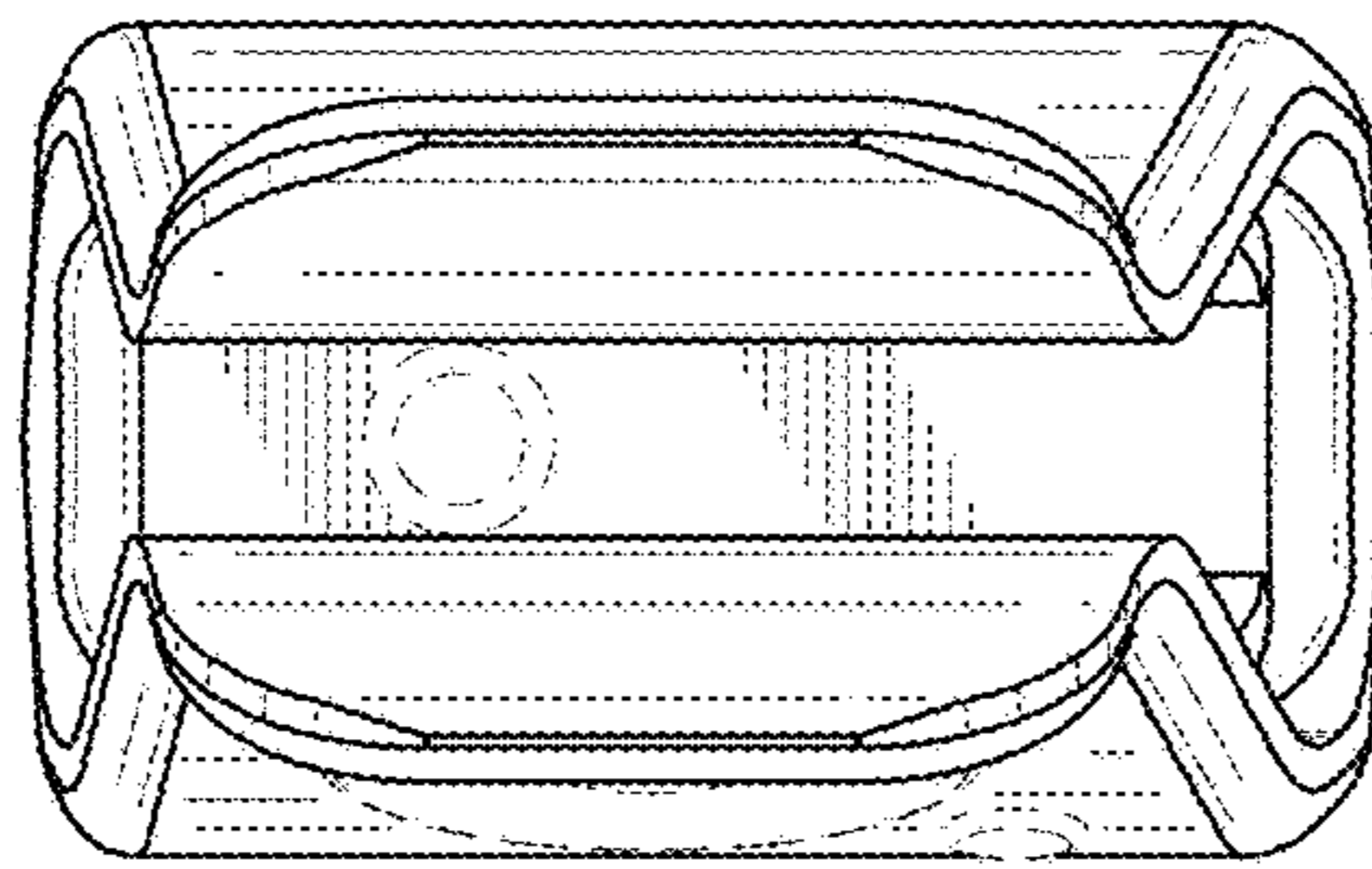


FIG. 15

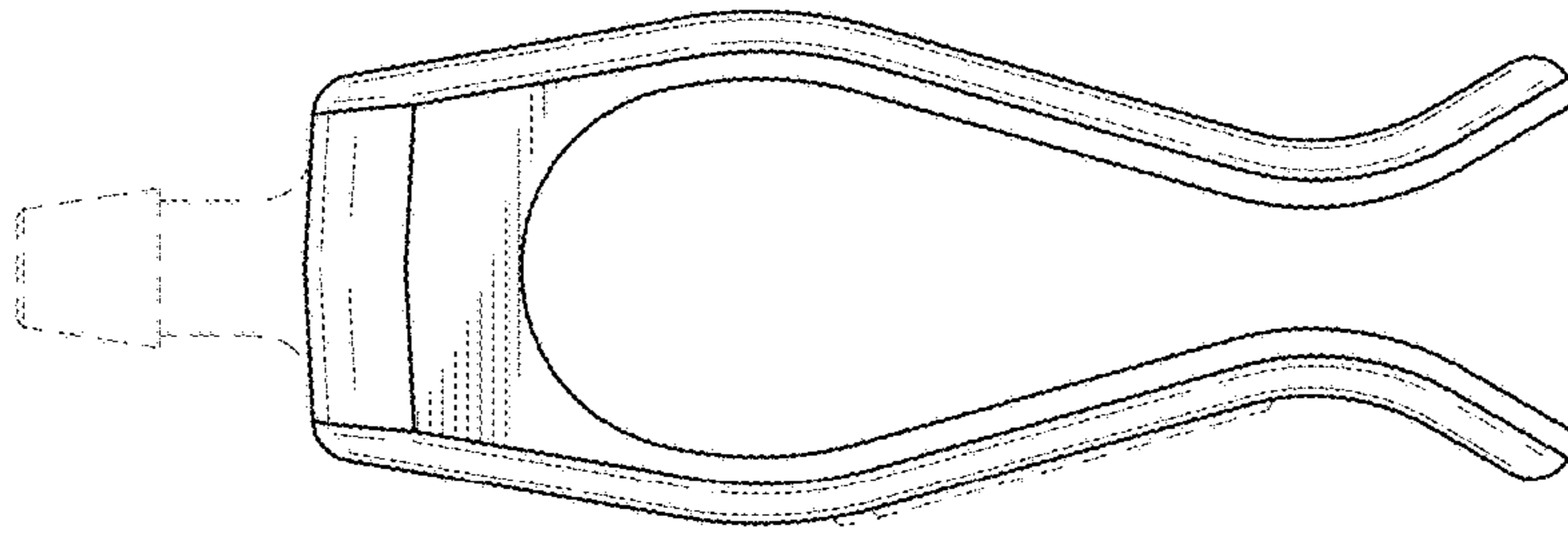


FIG. 16

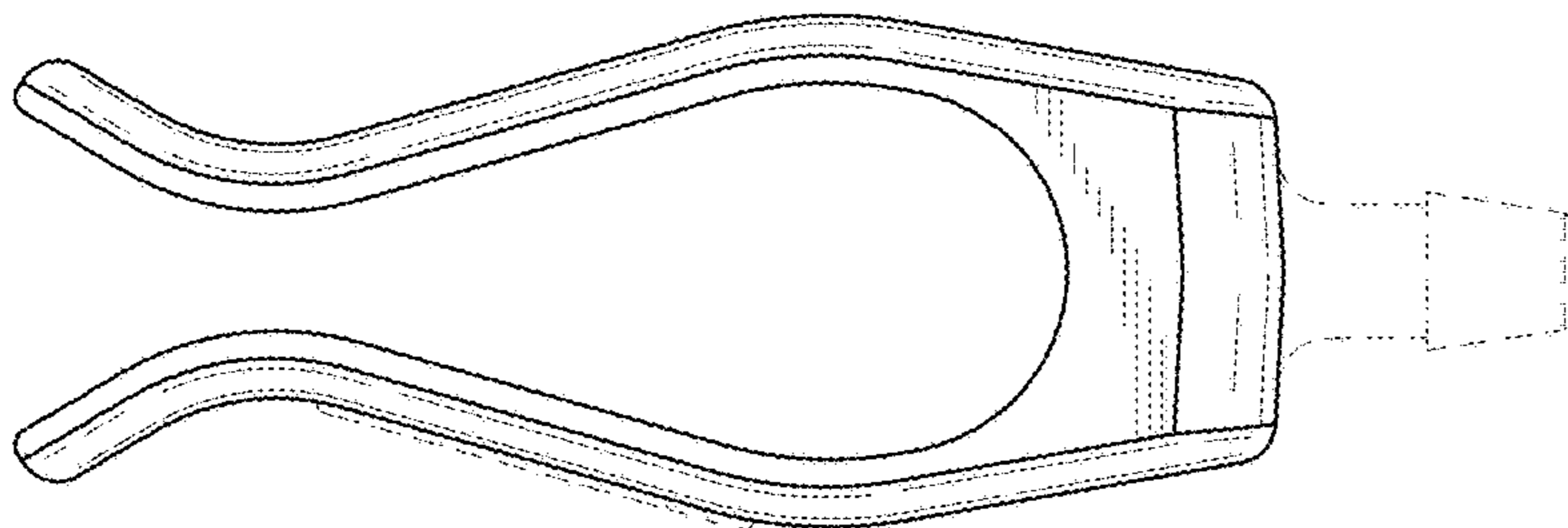


FIG. 17

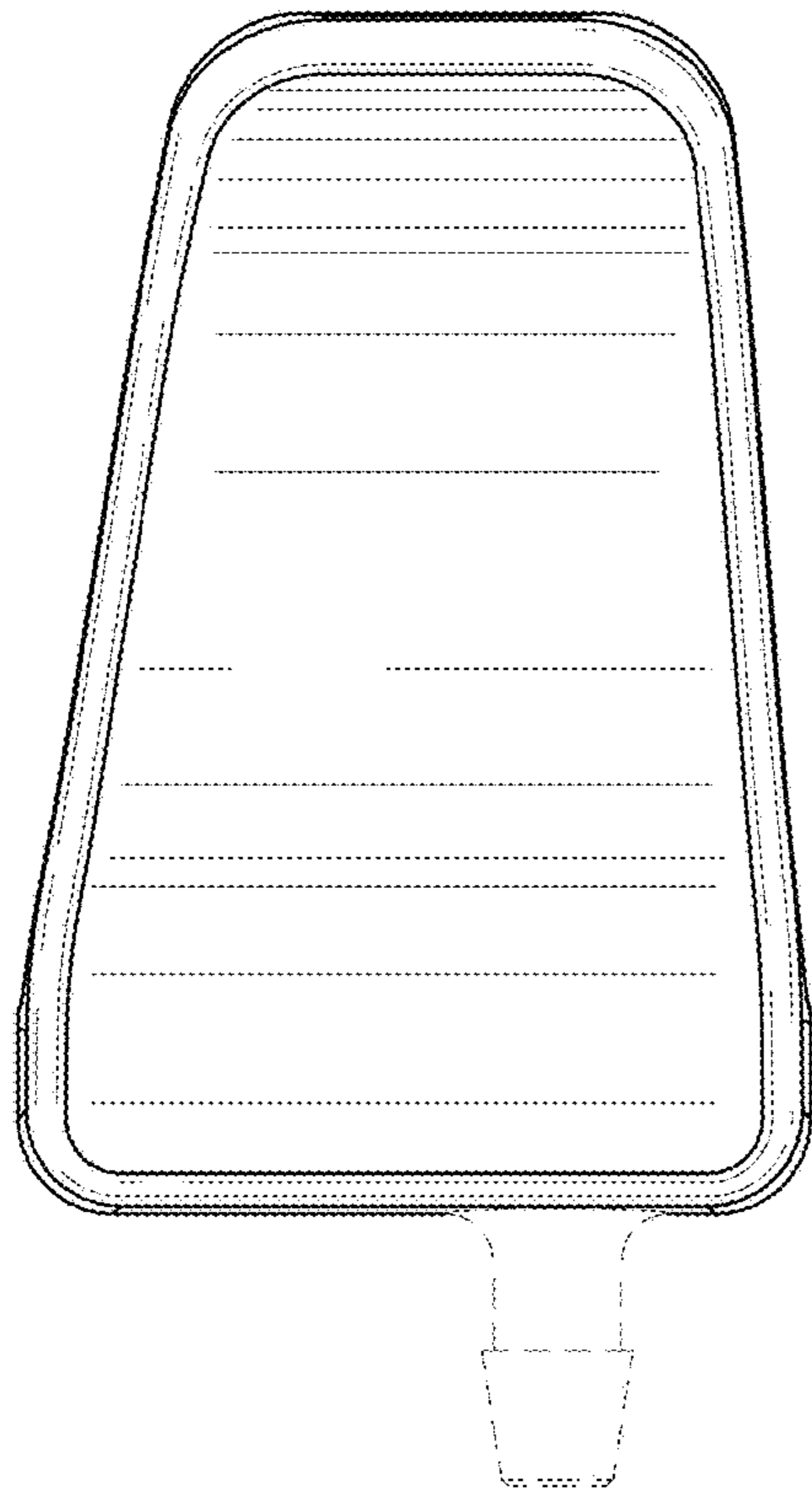


FIG. 18

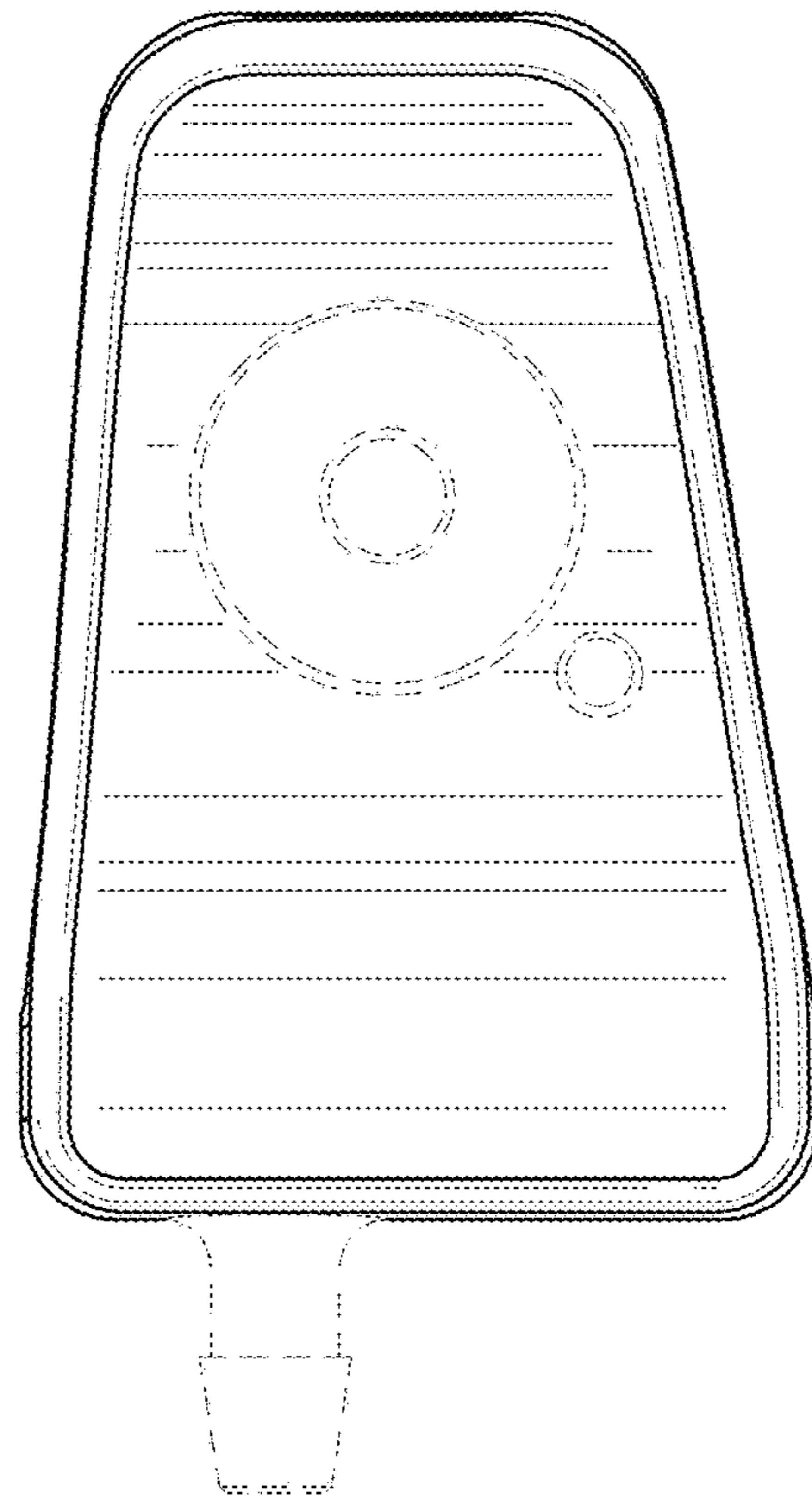


FIG. 19

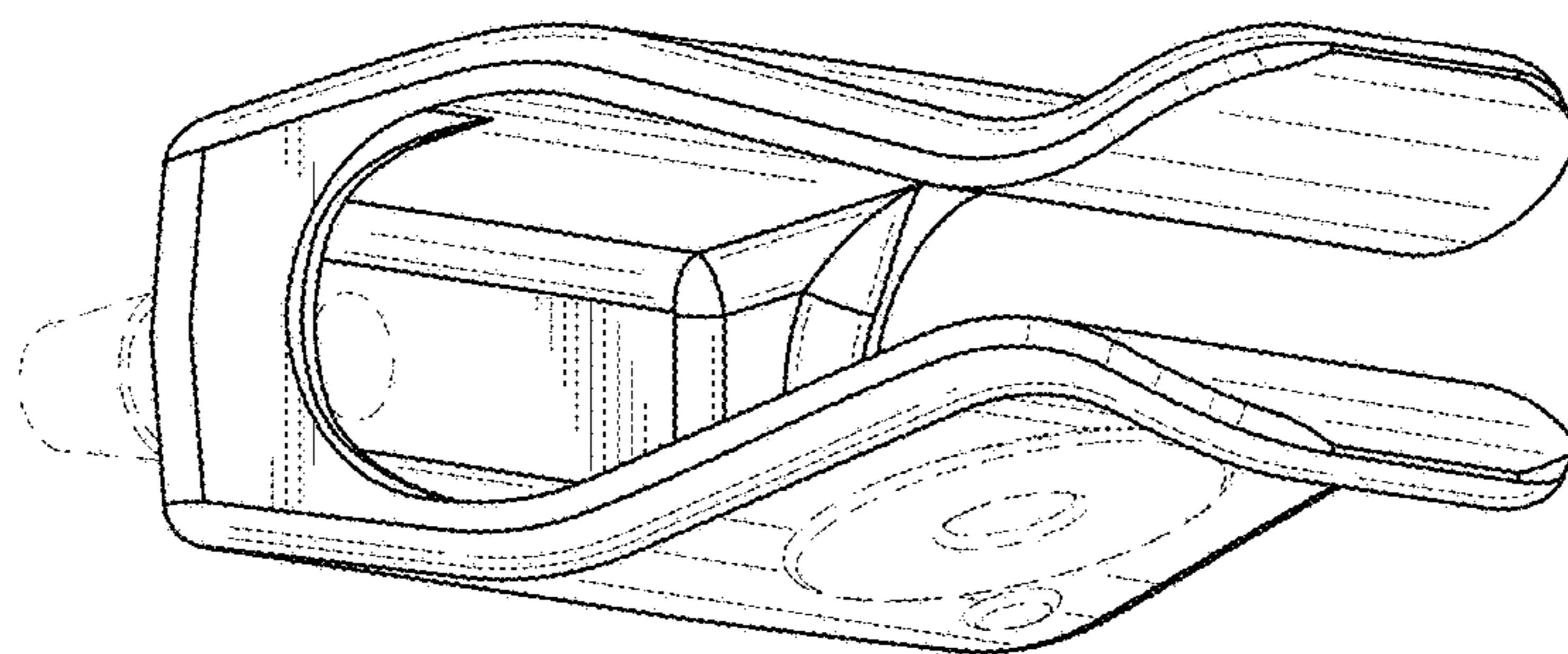


FIG. 20