



US00D857676S

(12) **United States Design Patent**
Kim et al.

(10) **Patent No.:** **US D857,676 S**

(45) **Date of Patent:** **** Aug. 27, 2019**

(54) **TELEVISION RECEIVER**

(71) Applicant: **Samsung Electronics Co., Ltd.**,
Suwon-si (KR)

(72) Inventors: **Jang-Ho Kim**, Seoul (KR); **Kyu-Bok Lee**, Seoul (KR)

(73) Assignee: **SAMSUNG ELECTRONICS CO., LTD.**, Suwon-si (KR)

(**) Term: **15 Years**

(21) Appl. No.: **29/638,522**

(22) Filed: **Feb. 27, 2018**

(30) **Foreign Application Priority Data**

Sep. 1, 2017 (KR) 30-2017-0040931

(51) **LOC (12) Cl.** **14-03**

(52) **U.S. Cl.**
USPC **D14/239**

(58) **Field of Classification Search**
USPC D14/371, 373-377, 382, 451, 126, 239,
D14/125, 127, 129; D6/708, 708.16, 300,
(Continued)

(56) **References Cited**

U.S. PATENT DOCUMENTS

D671,540 S * 11/2012 Yukawa D14/336
D725,661 S * 3/2015 Snyder D14/451
(Continued)

FOREIGN PATENT DOCUMENTS

EM 002292565-0003 9/2013
KR 300685219 3/2013
(Continued)

Primary Examiner — Brett Miller

(74) *Attorney, Agent, or Firm* — McAndrews Held & Malloy, Ltd.

(57) **CLAIM**

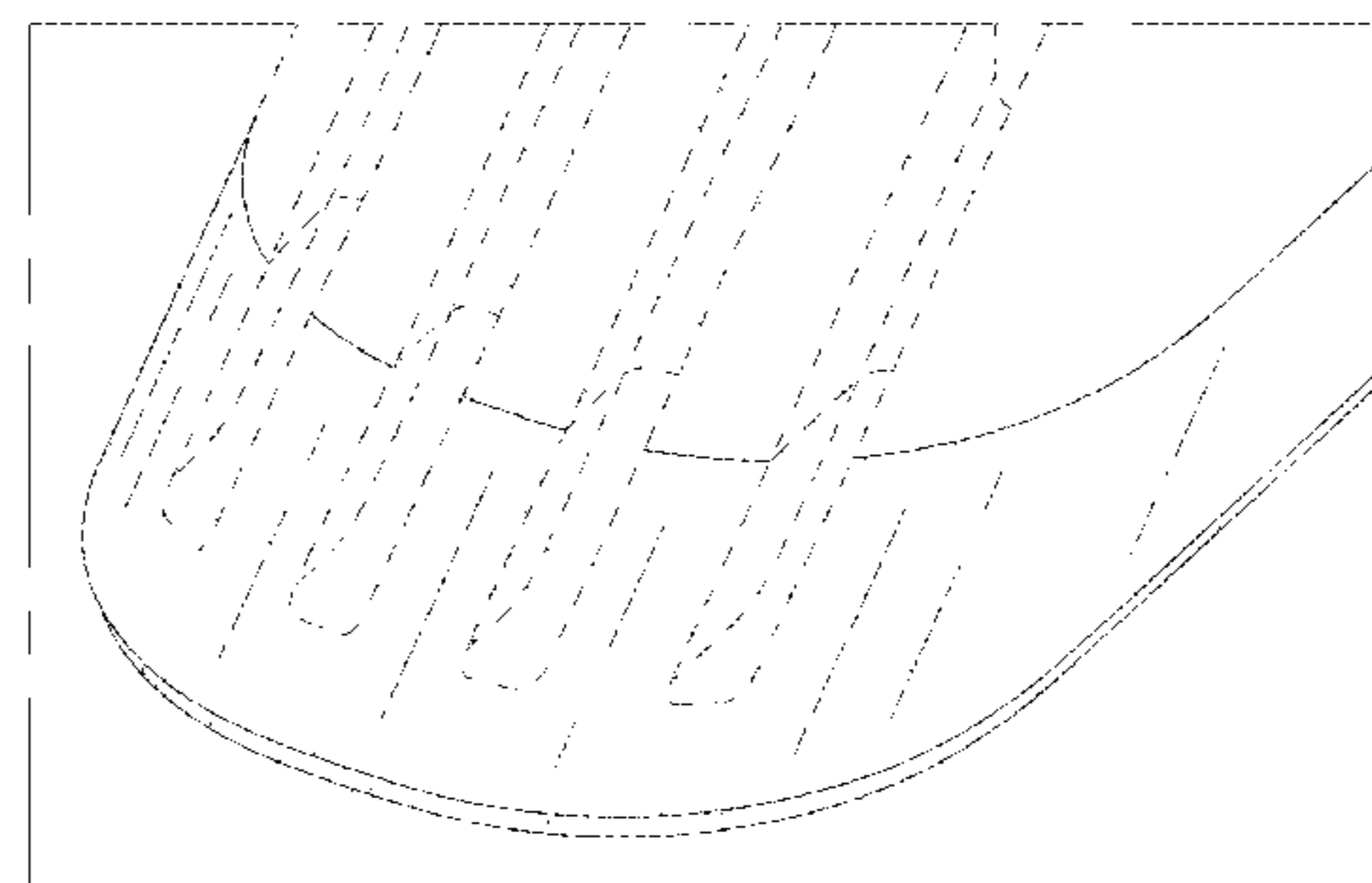
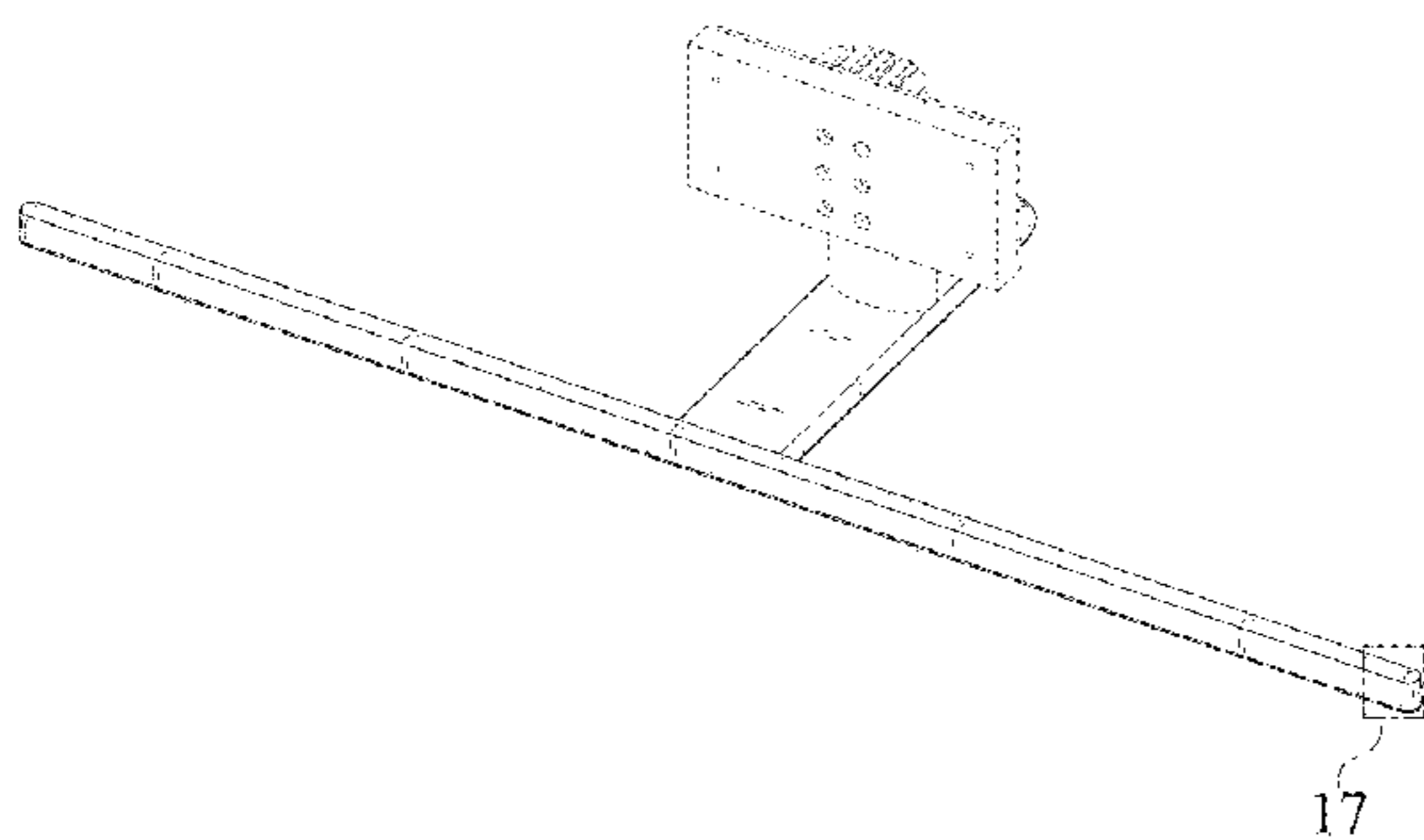
The ornamental design for a television receiver, as shown and described.

DESCRIPTION

FIG. 1 is a front perspective view of a television receiver showing our new design;
FIG. 2 is a front elevation view thereof;
FIG. 3 is a rear elevation view thereof;
FIG. 4 is a left side elevation view thereof;
FIG. 5 is a right side elevation view thereof;
FIG. 6 is a top plan view thereof;
FIG. 7 is a bottom plan view thereof;
FIG. 8 is a rear perspective view thereof;
FIG. 9 is front perspective view thereof, showing the stand of the television receiver in isolation for clarity of illustration;
FIG. 10 is a front elevation view of FIG. 9;
FIG. 11 is a rear elevation view of FIG. 9;
FIG. 12 is a left side elevation view of FIG. 9;
FIG. 13 is a right side elevation view of FIG. 9;
FIG. 14 is a top plan view of FIG. 9;
FIG. 15 is a bottom plan view of FIG. 9;
FIG. 16 is a rear perspective view of FIG. 9;
FIG. 17 is an enlarged view of the portion 17 delineated in FIG. 9;
FIG. 18 is an enlarged view of portion 18 delineated in FIG. 11;
FIG. 19 is an enlarged view of portion 19 delineated in FIG. 13;
FIG. 20 is an enlarged view of portion 20 delineated in FIG. 14; and,
FIG. 21 is an enlarged view of portion 21 delineated in FIG. 16.

The evenly dashed broken lines immediately adjacent the shaded areas define the bounds of the claimed design while all other evenly dashed broken lines are directed to environment and are for illustrative purposes only; the evenly dashed broken lines form no part of the claimed design. The dot-dash broken lines delineate portions of the claimed design that are illustrated in enlargements and form no part of the claimed design.

1 Claim, 21 Drawing Sheets



(58) **Field of Classification Search**

USPC D6/308, 310–313, 691.6; D8/349, 354,
D8/363, 373, 376, 380

CPC G06F 1/1601; H04N 5/64; H04N 5/655;
H05K 5/0017; H05K 5/0234

See application file for complete search history.

(56) **References Cited**

U.S. PATENT DOCUMENTS

D742,378	S	*	11/2015	Jung	D14/374
D747,300	S	*	1/2016	Kim	D14/239
D750,093	S	*	2/2016	Jung	D14/451
D758,983	S	*	6/2016	Kim	D14/126
D780,138	S	*	2/2017	Lee	D14/126
D800,082	S	*	10/2017	Ahn	D14/126
D800,706	S	*	10/2017	Ann	D14/239
D819,028	S	*	5/2018	Seo	D14/374
D819,583	S	*	6/2018	Lee	D14/126
D819,614	S	*	6/2018	Lee	D14/239
D824,889	S	*	8/2018	Debaigue	D14/239
2018/0358795	A1	*	12/2018	Li	G06F 1/1601

FOREIGN PATENT DOCUMENTS

KR	300767258	10/2014
KR	300771913	3/2015
WO	DM085963	2/2015

* cited by examiner

FIG. 1

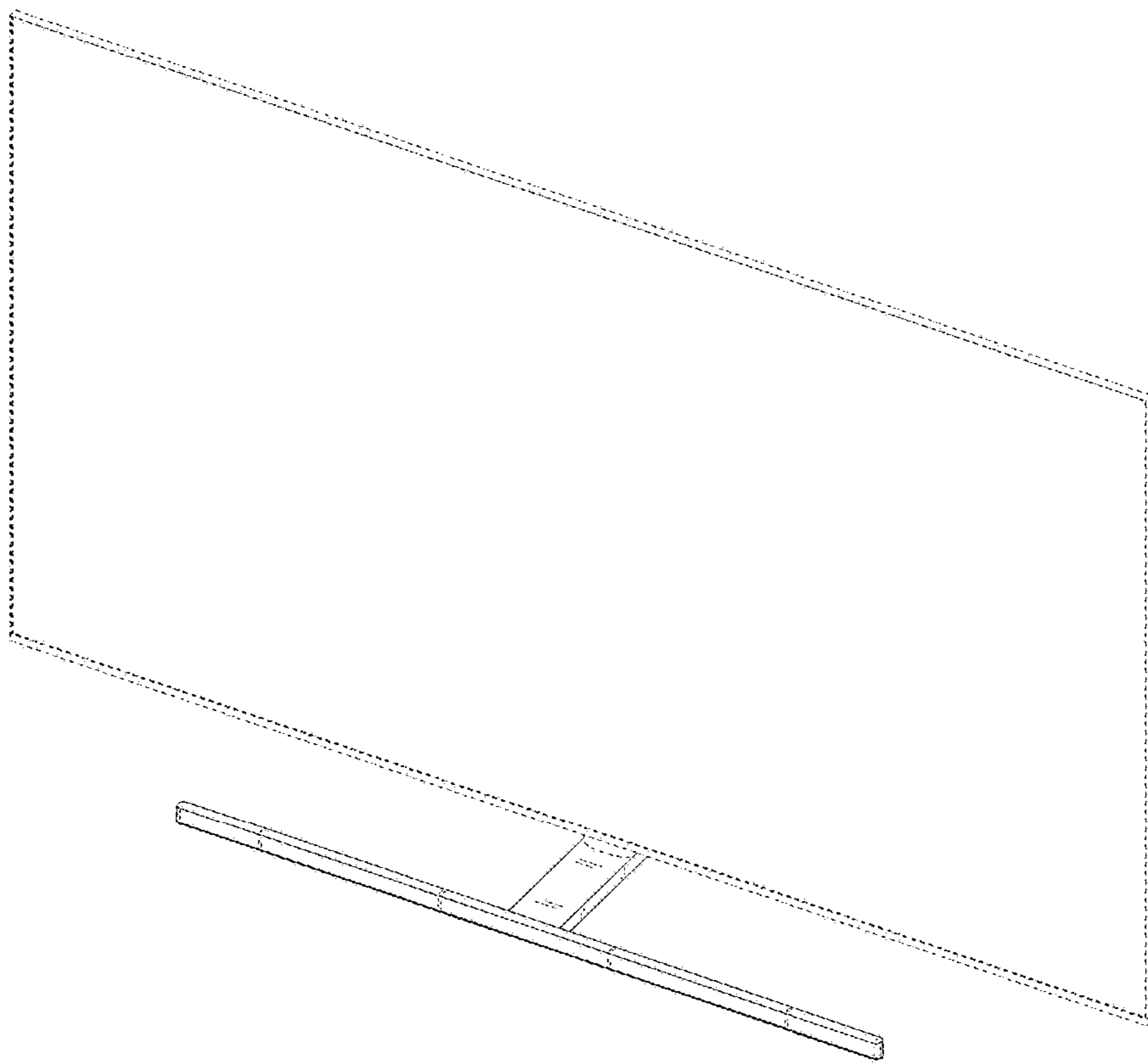


FIG. 2

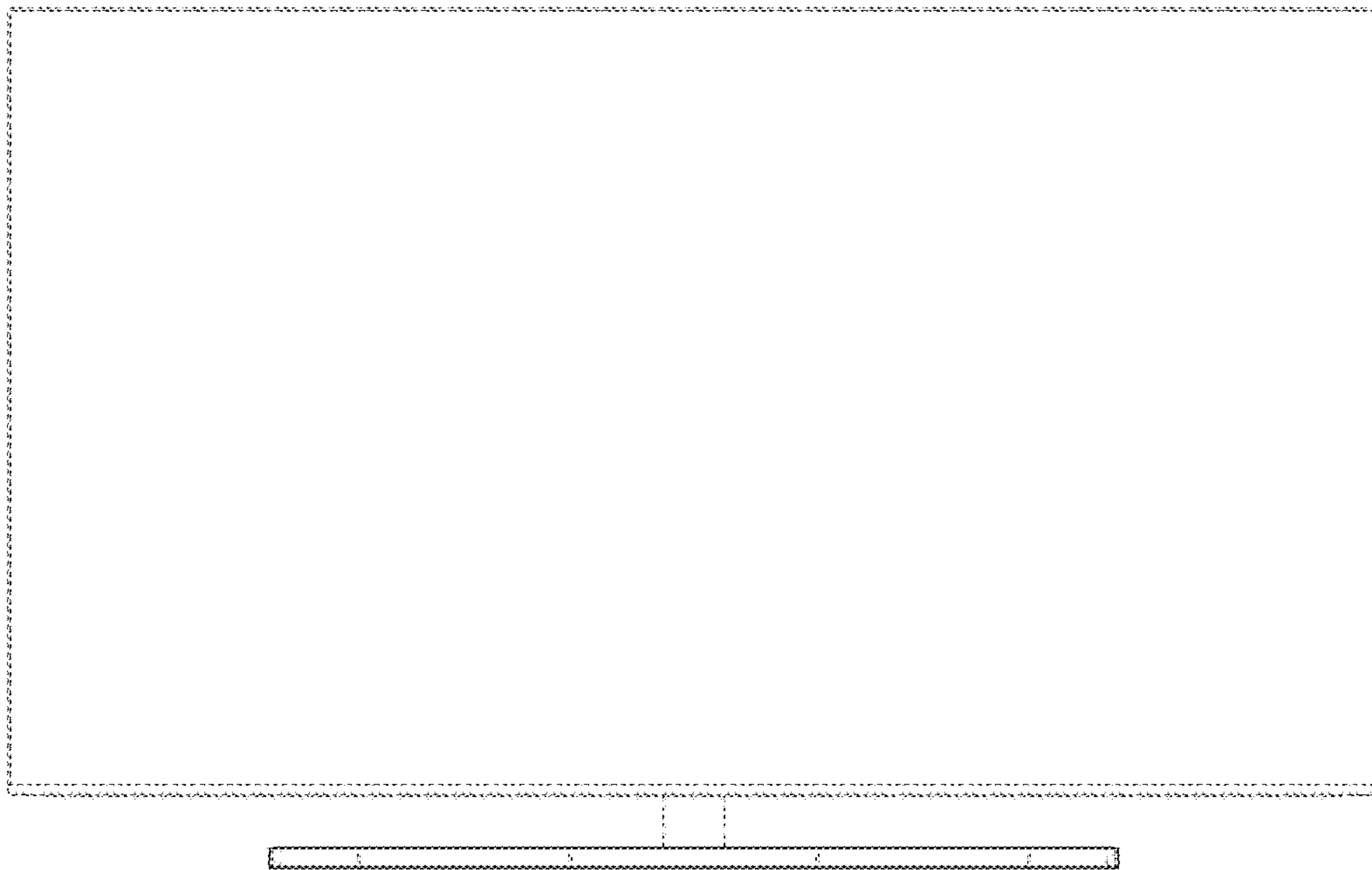


FIG. 3

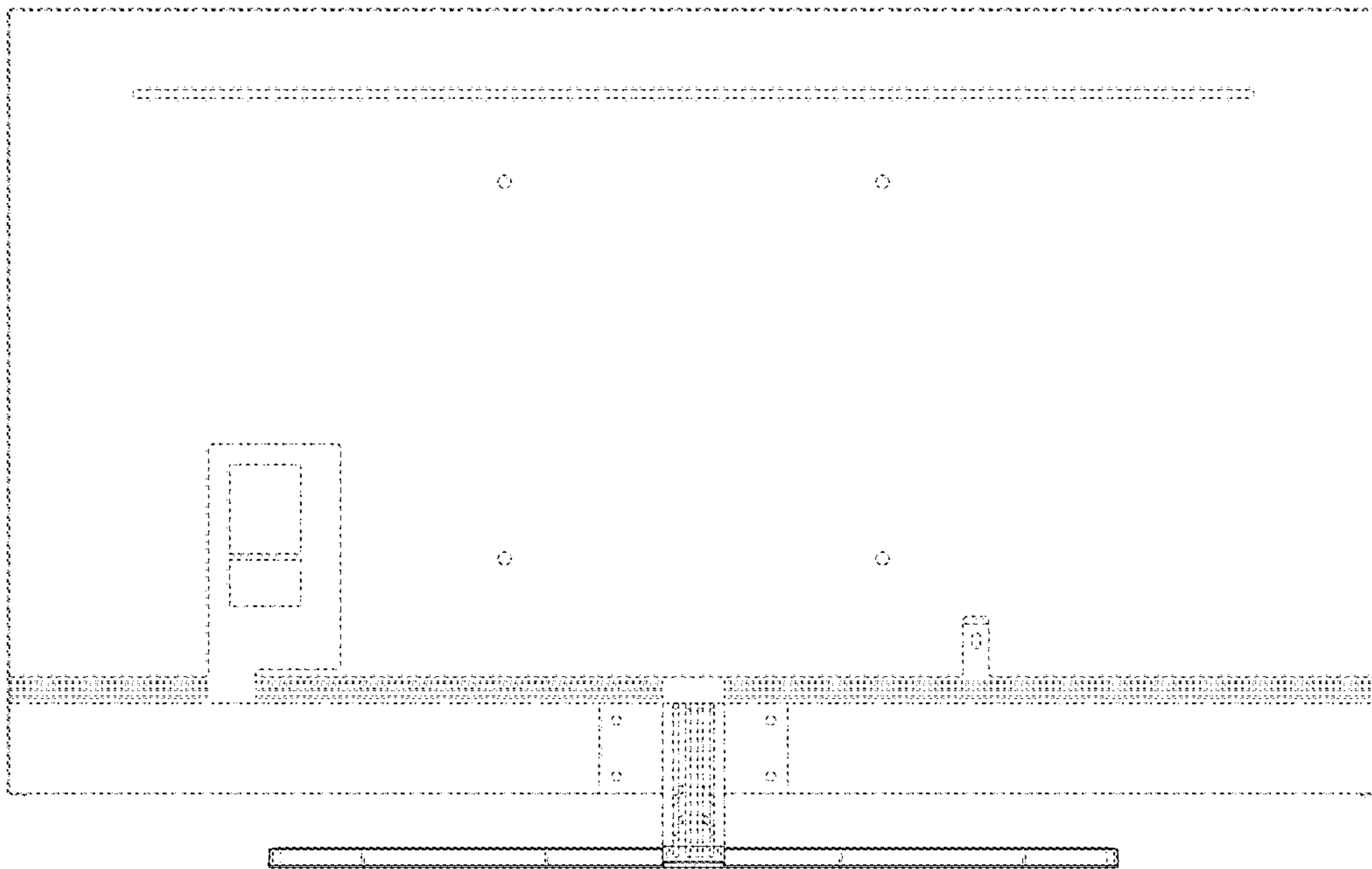


FIG. 4

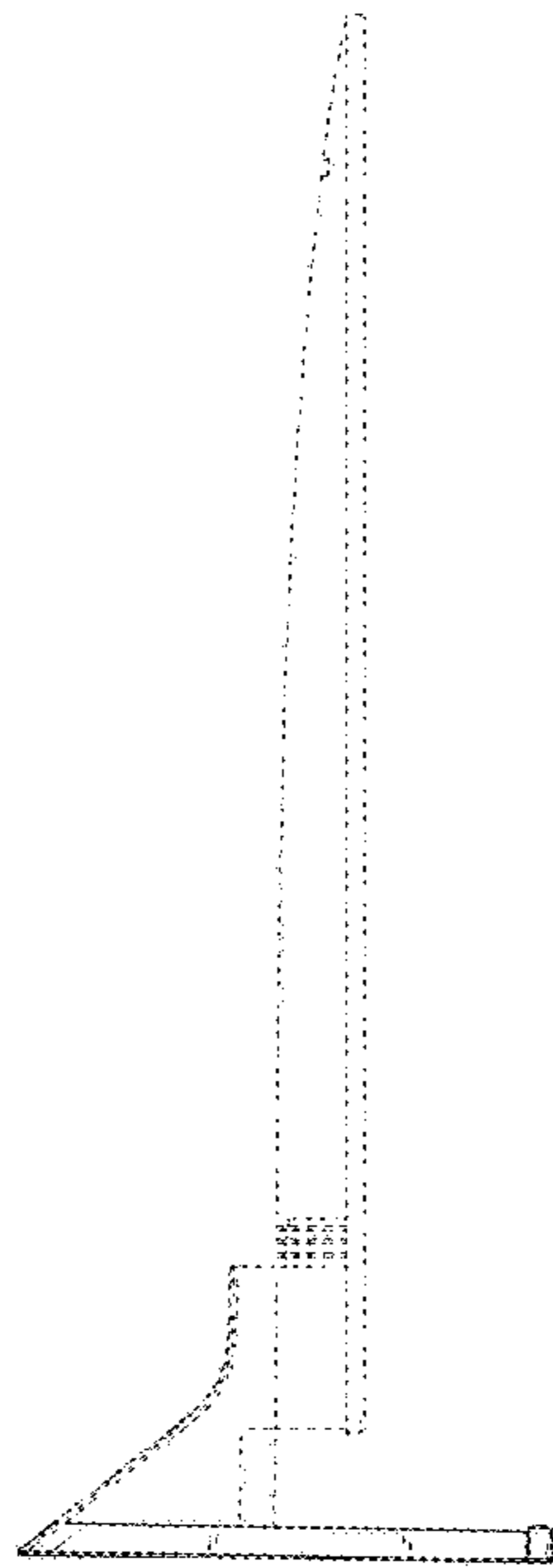


FIG. 5

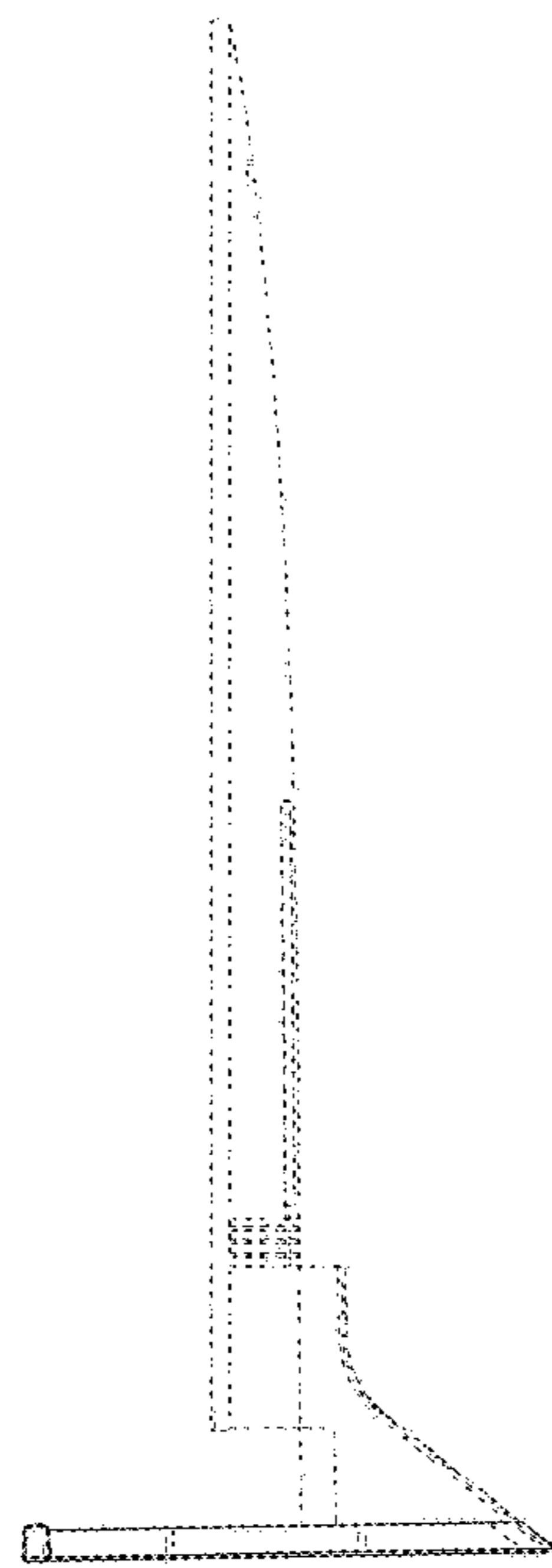


FIG. 6

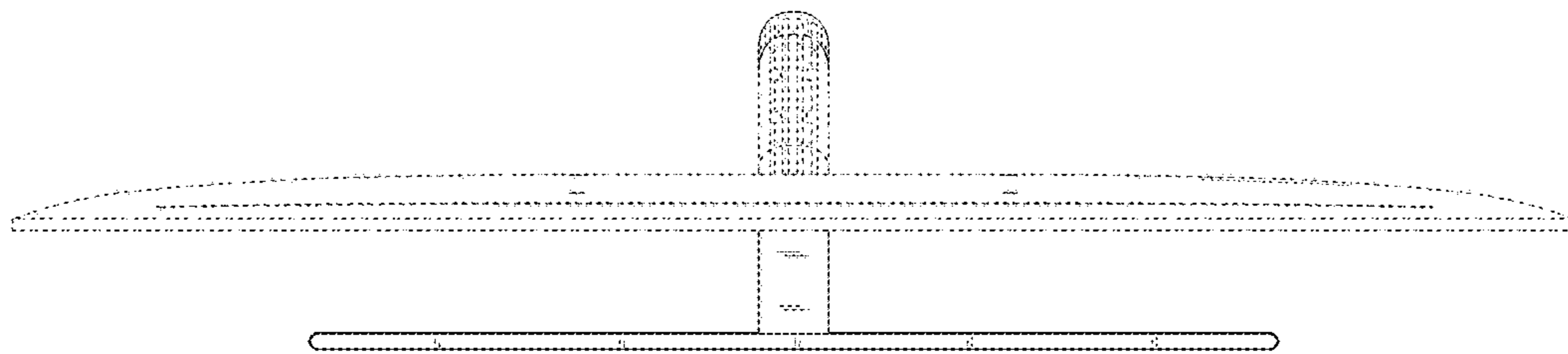


FIG. 7

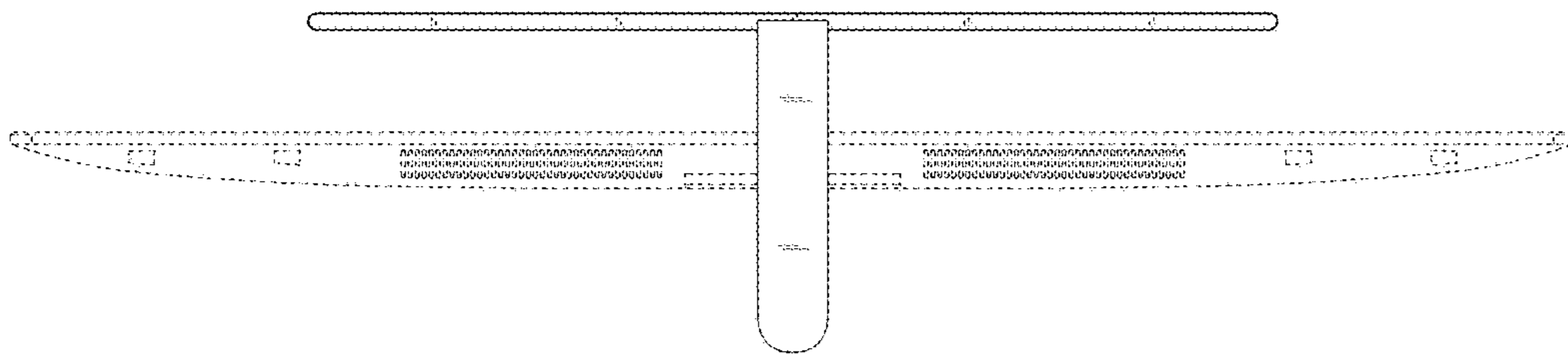


FIG. 8

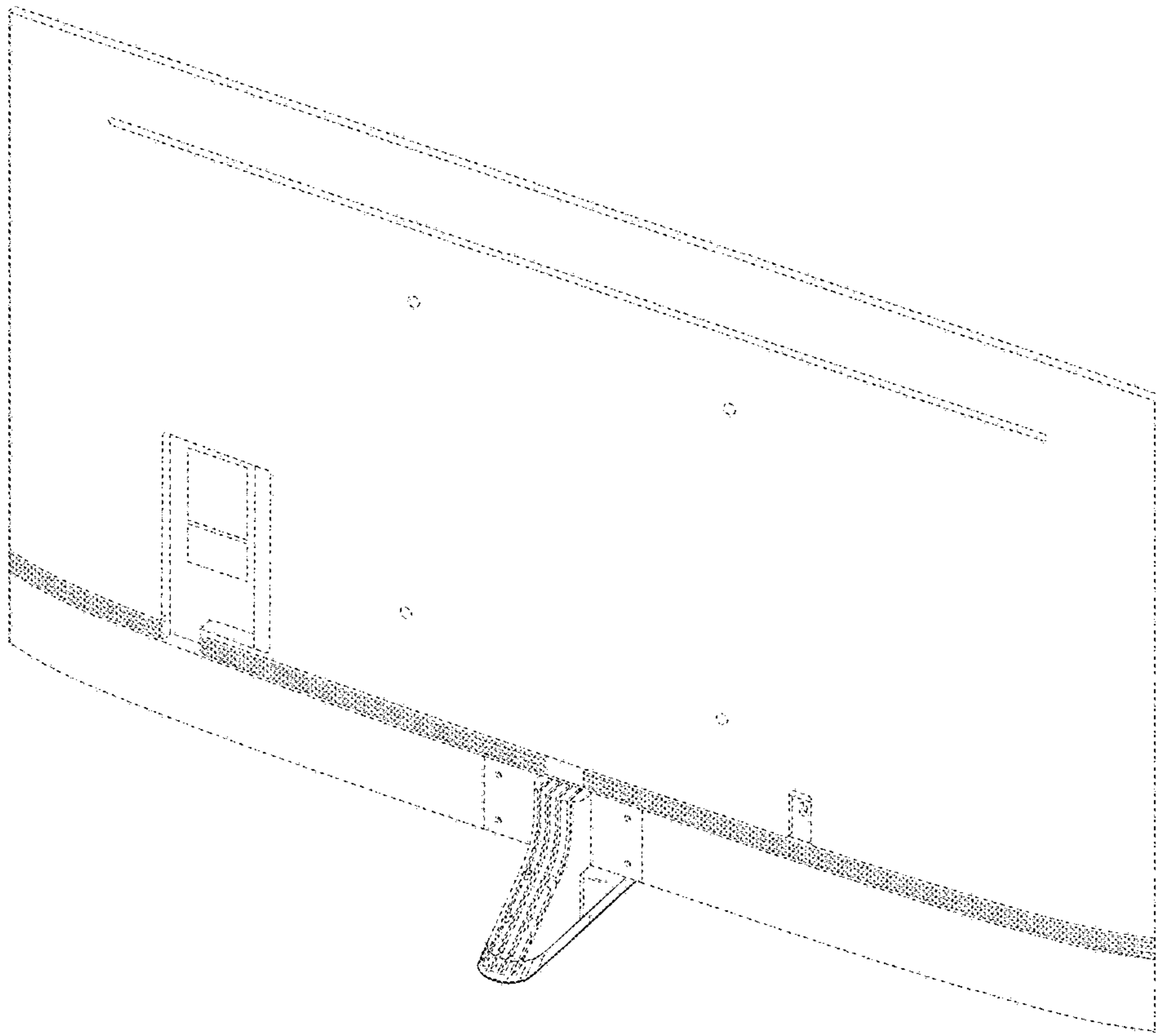


FIG. 9

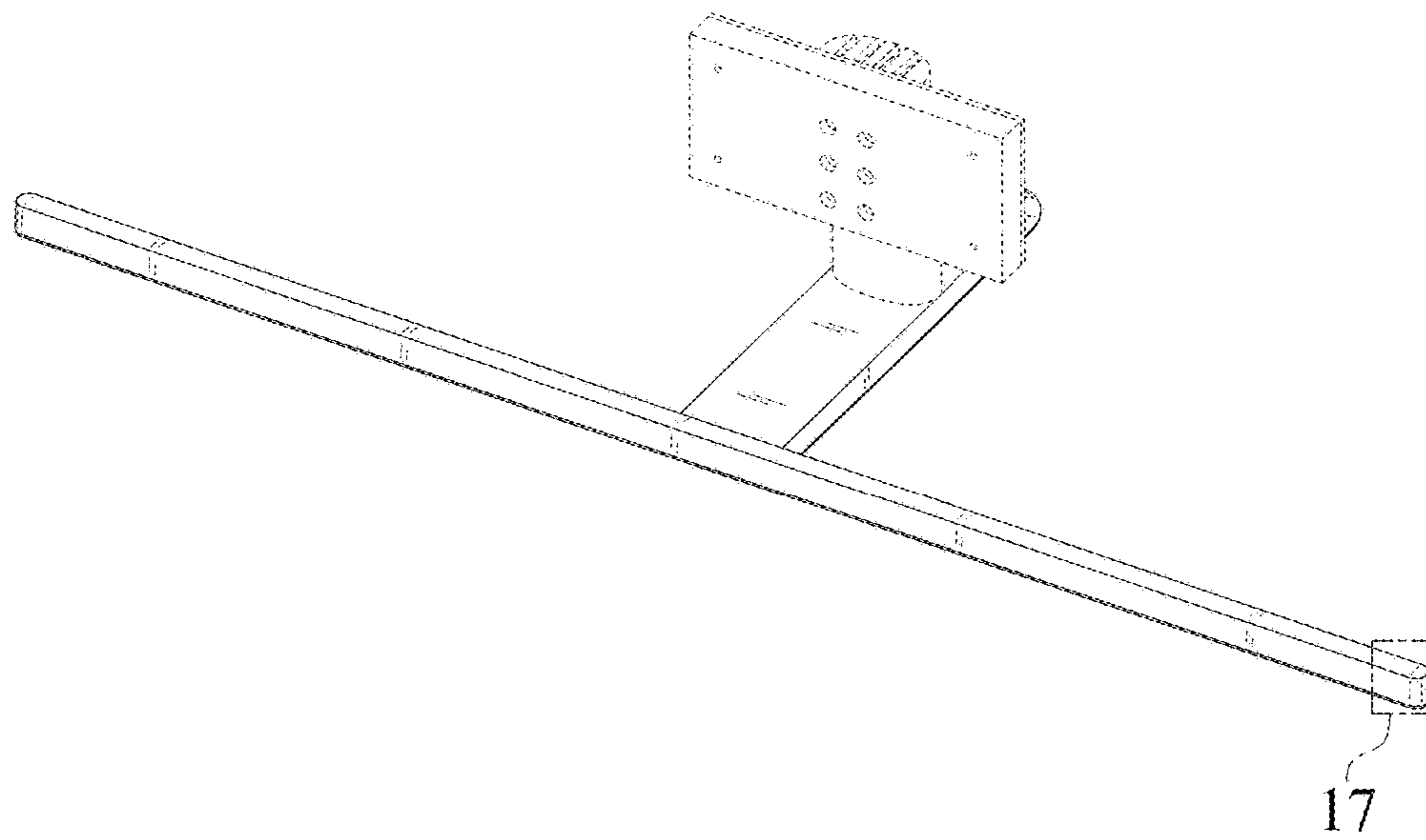


FIG. 10

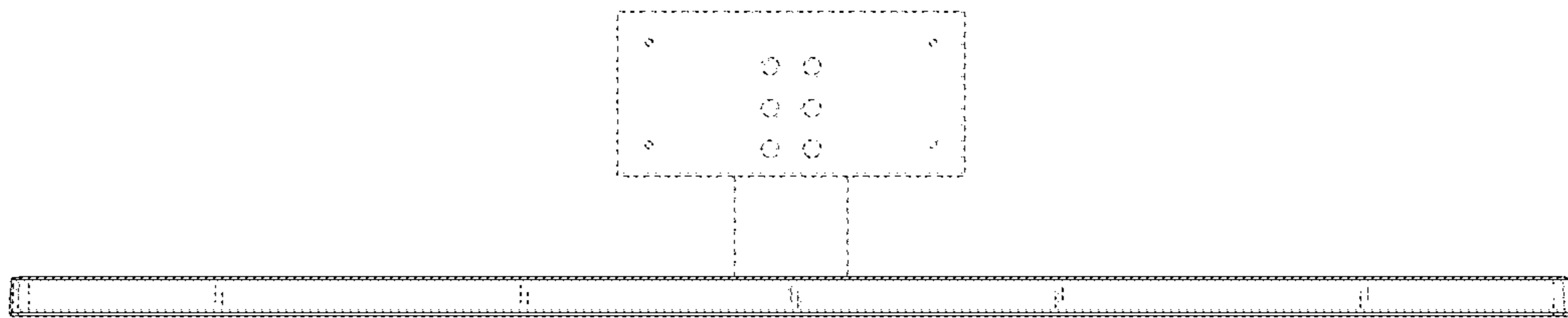


FIG. 11

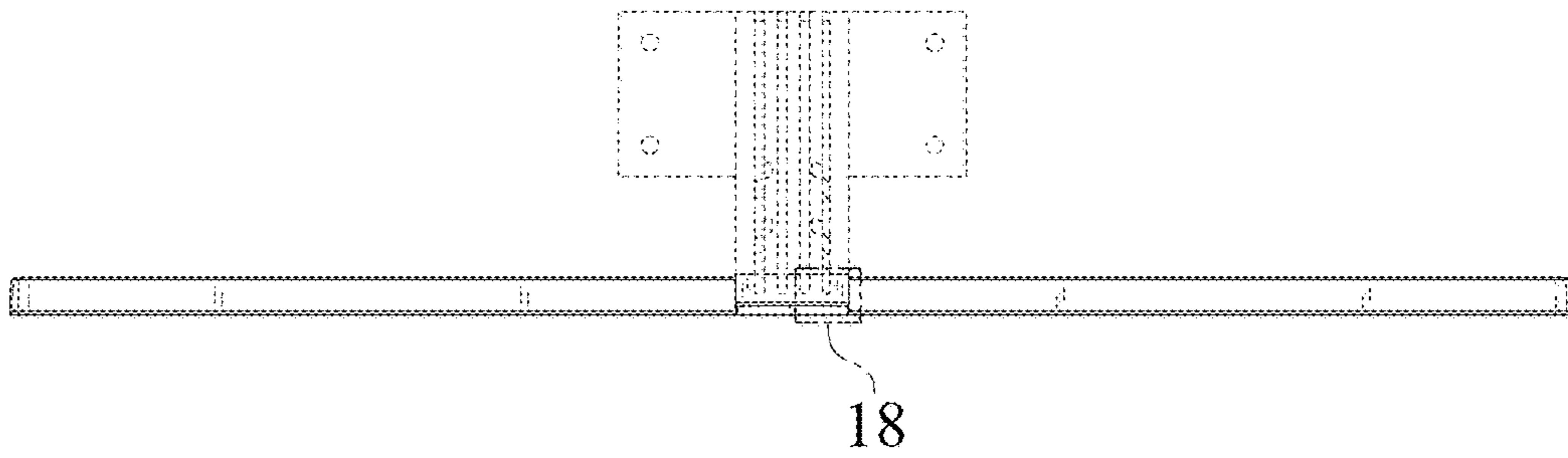


FIG. 12

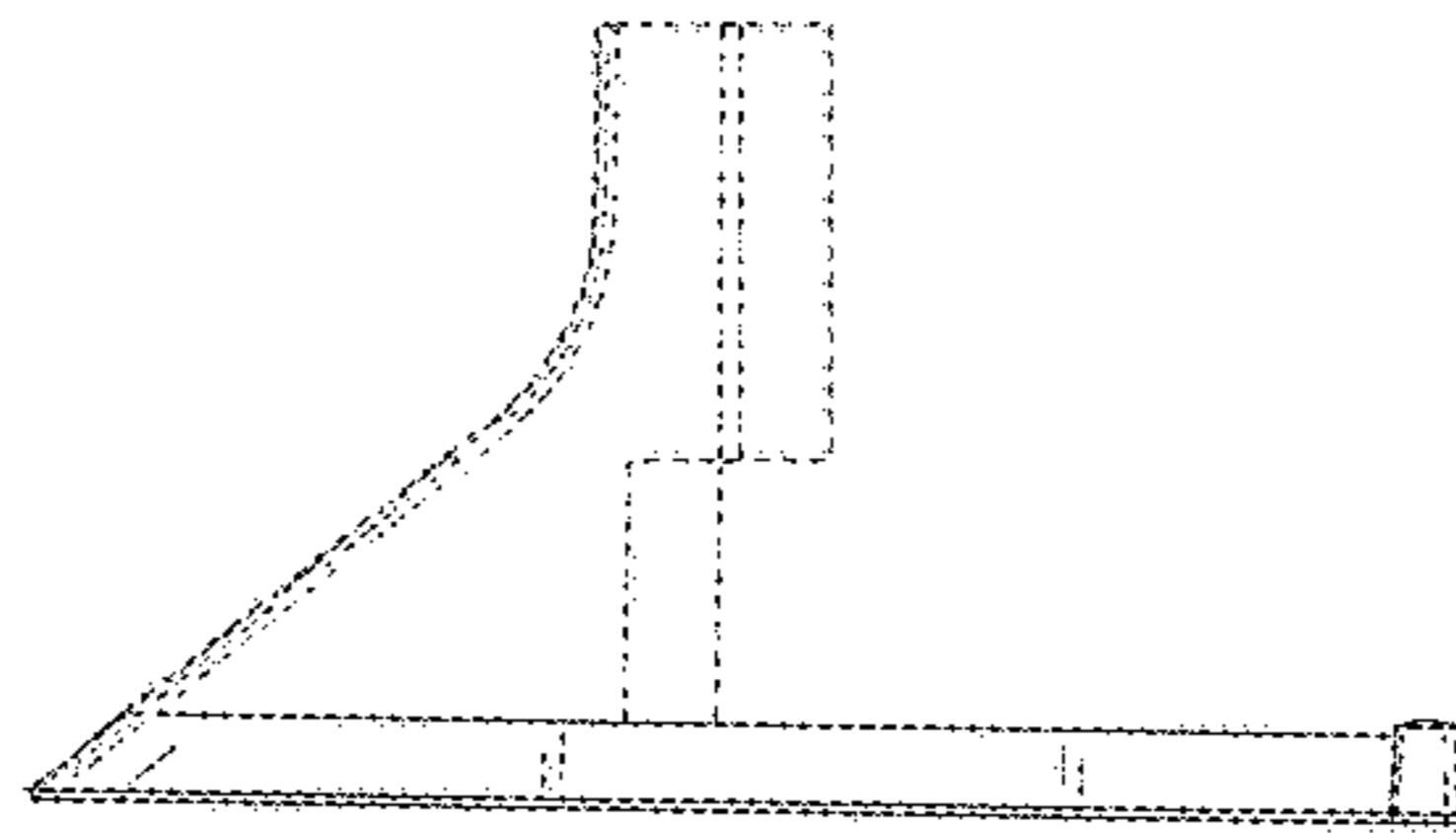


FIG. 13

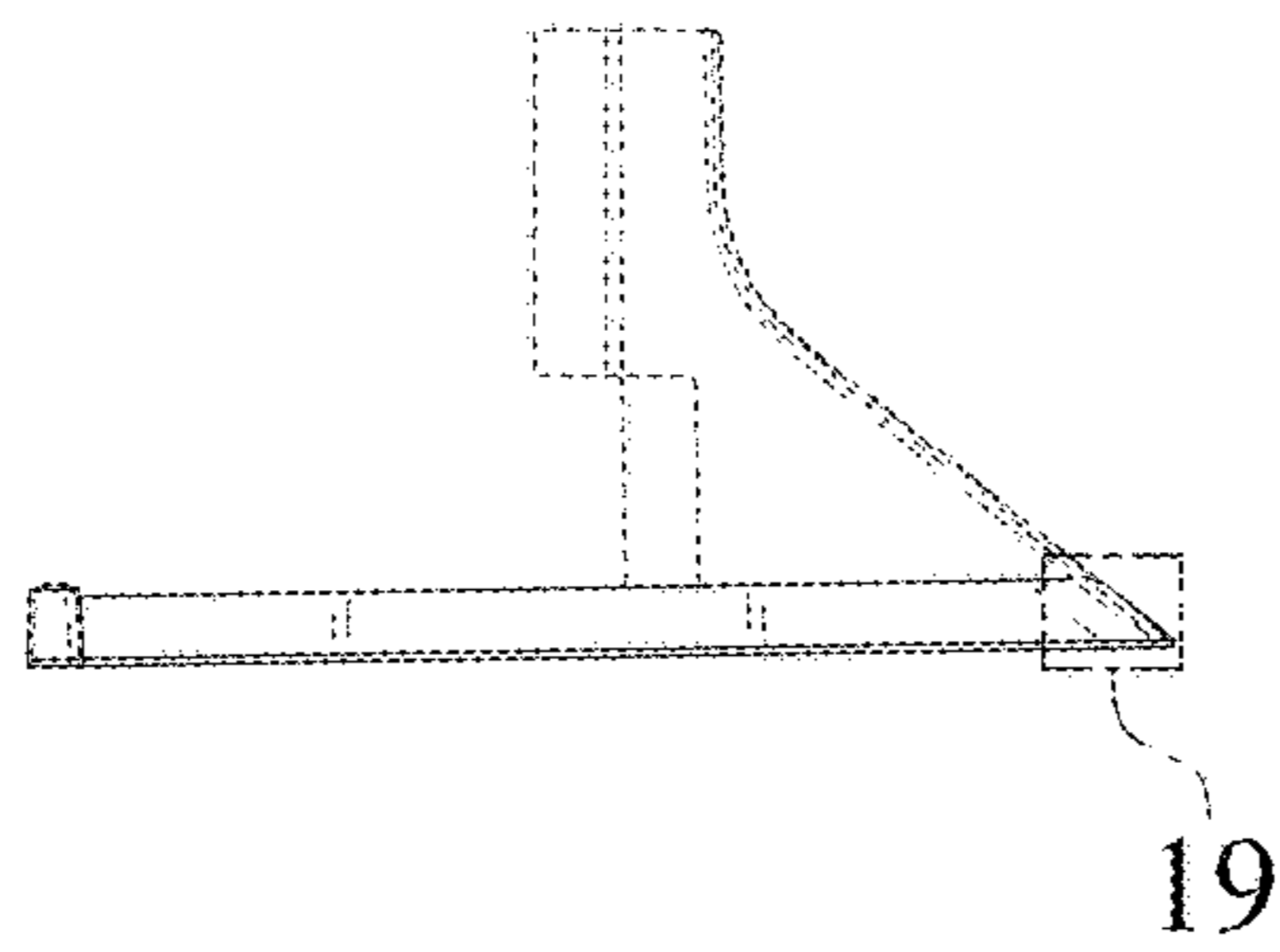


FIG. 14

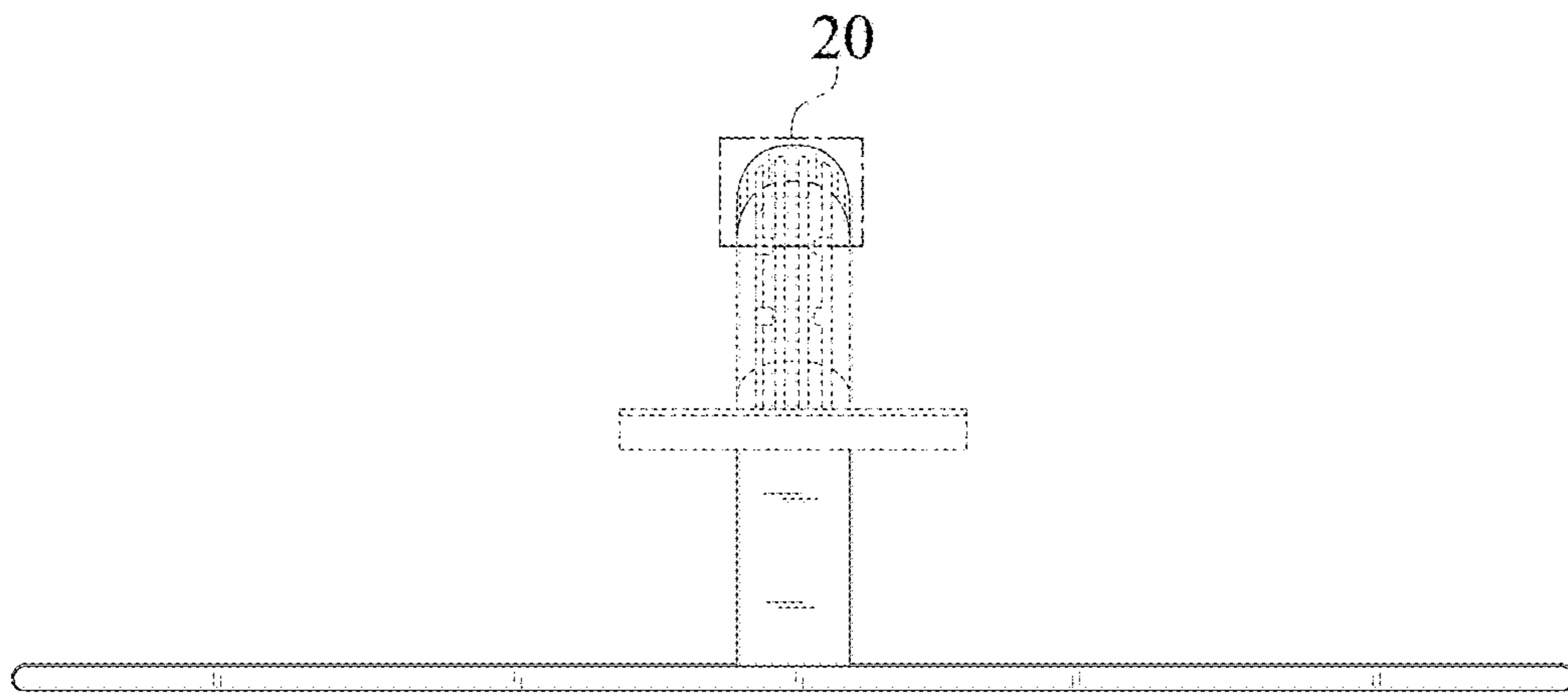


FIG. 15

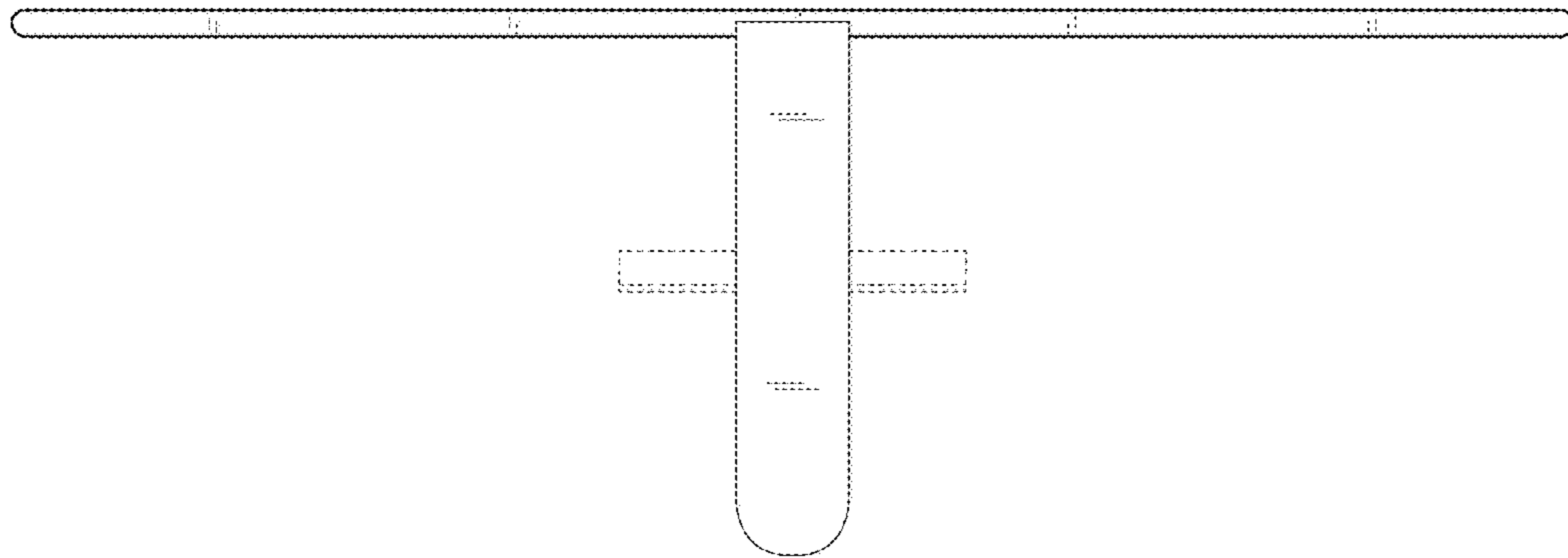


FIG. 16

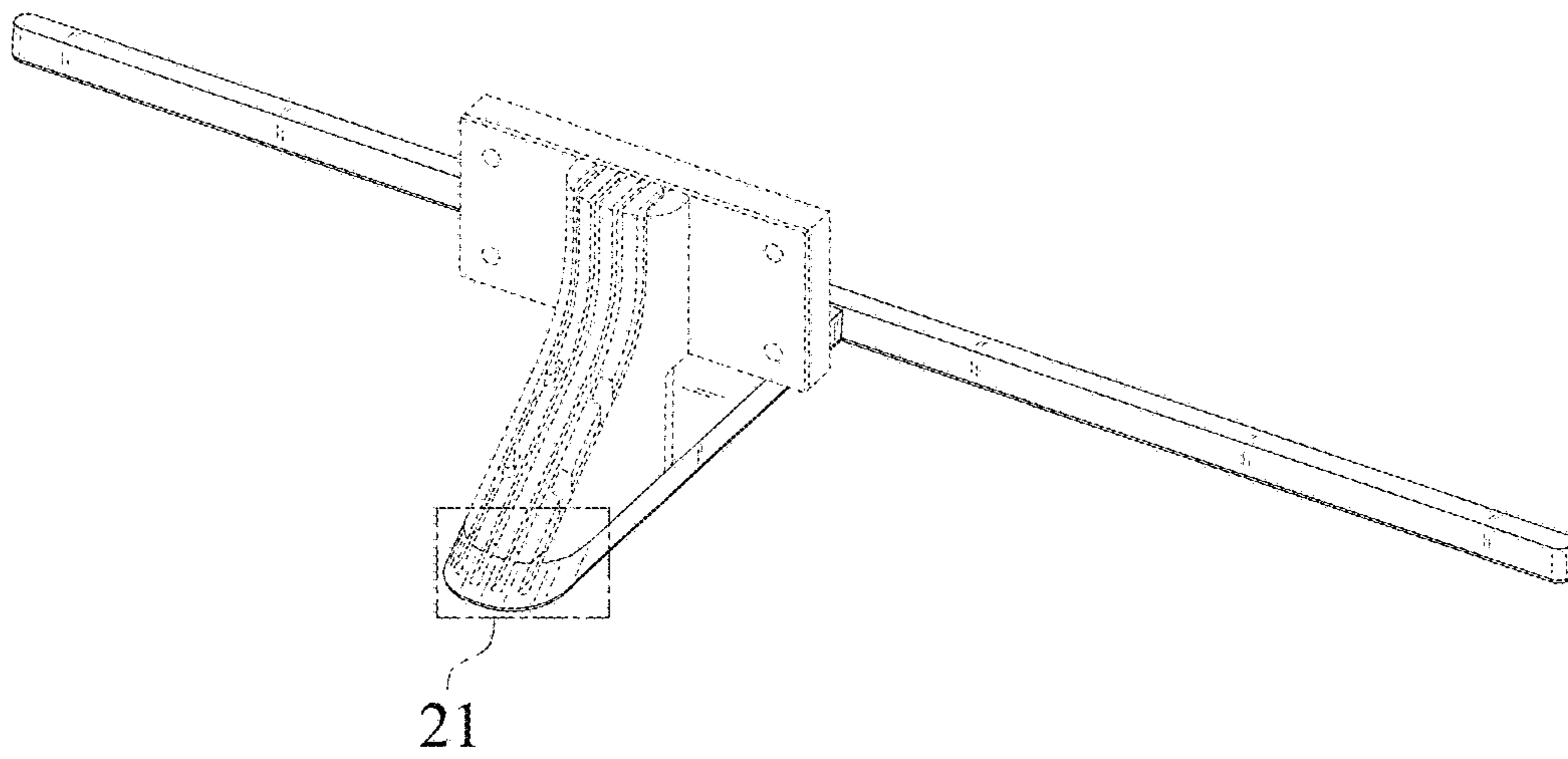


FIG. 17

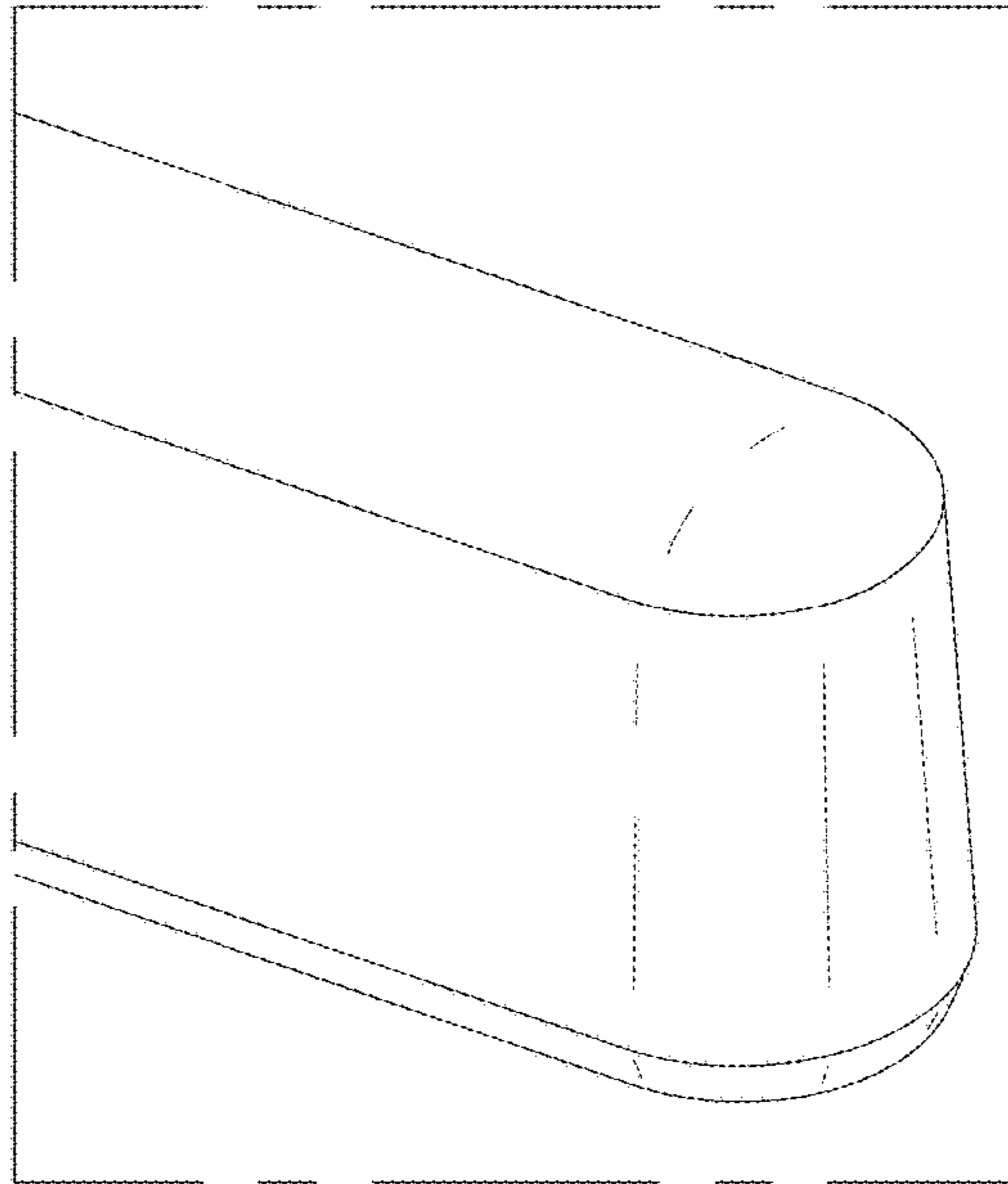


FIG. 18

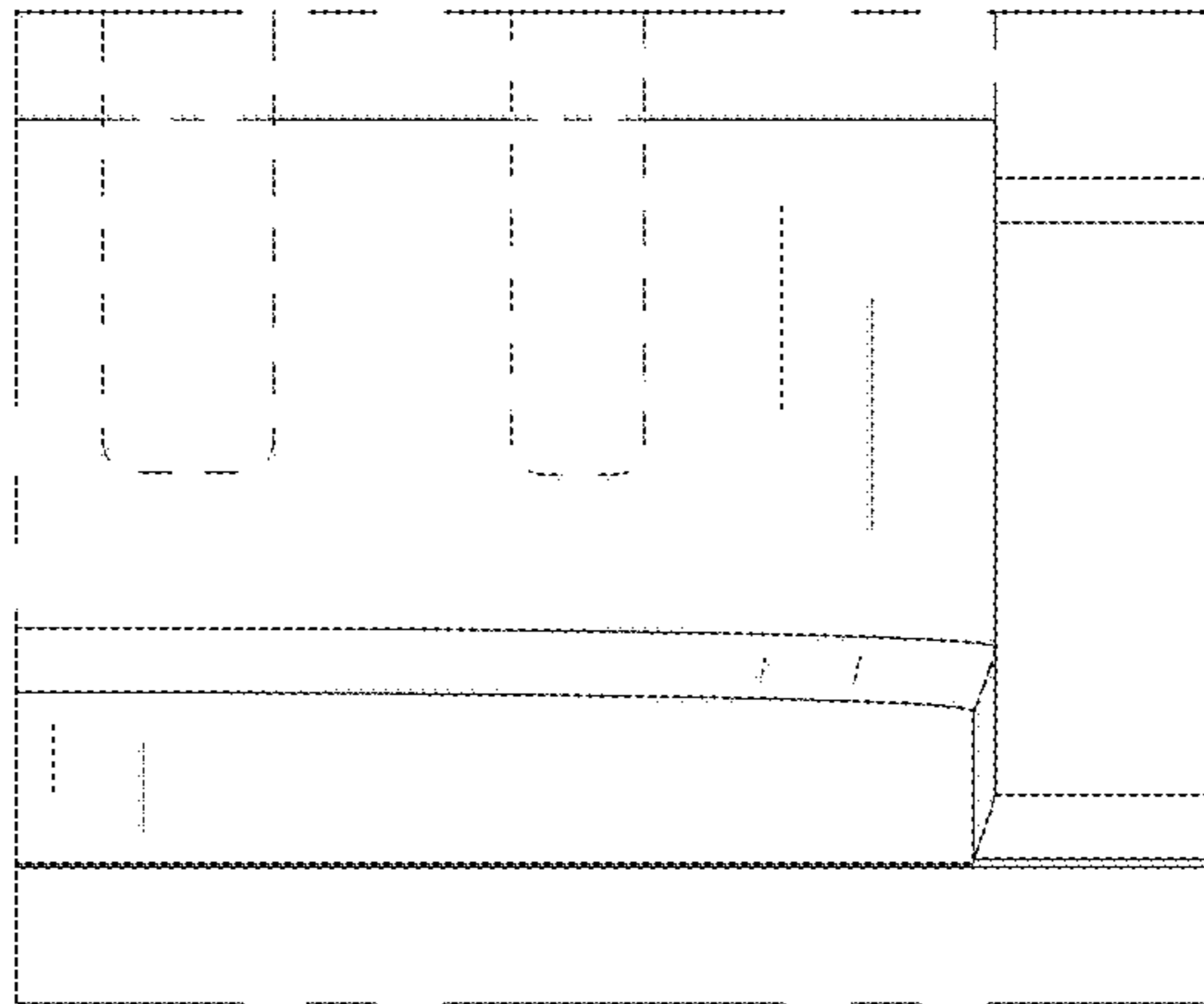


FIG. 19

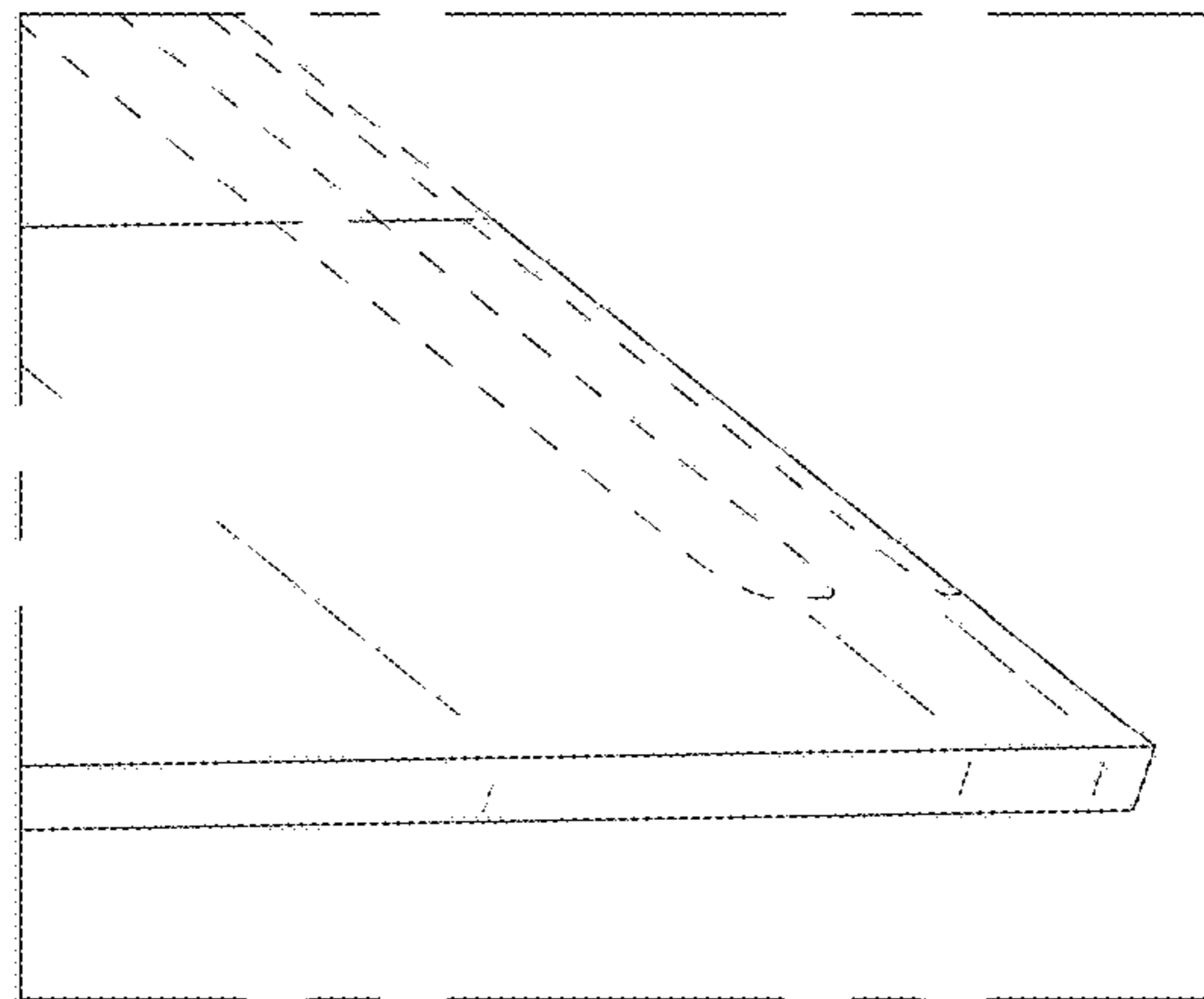


FIG. 20

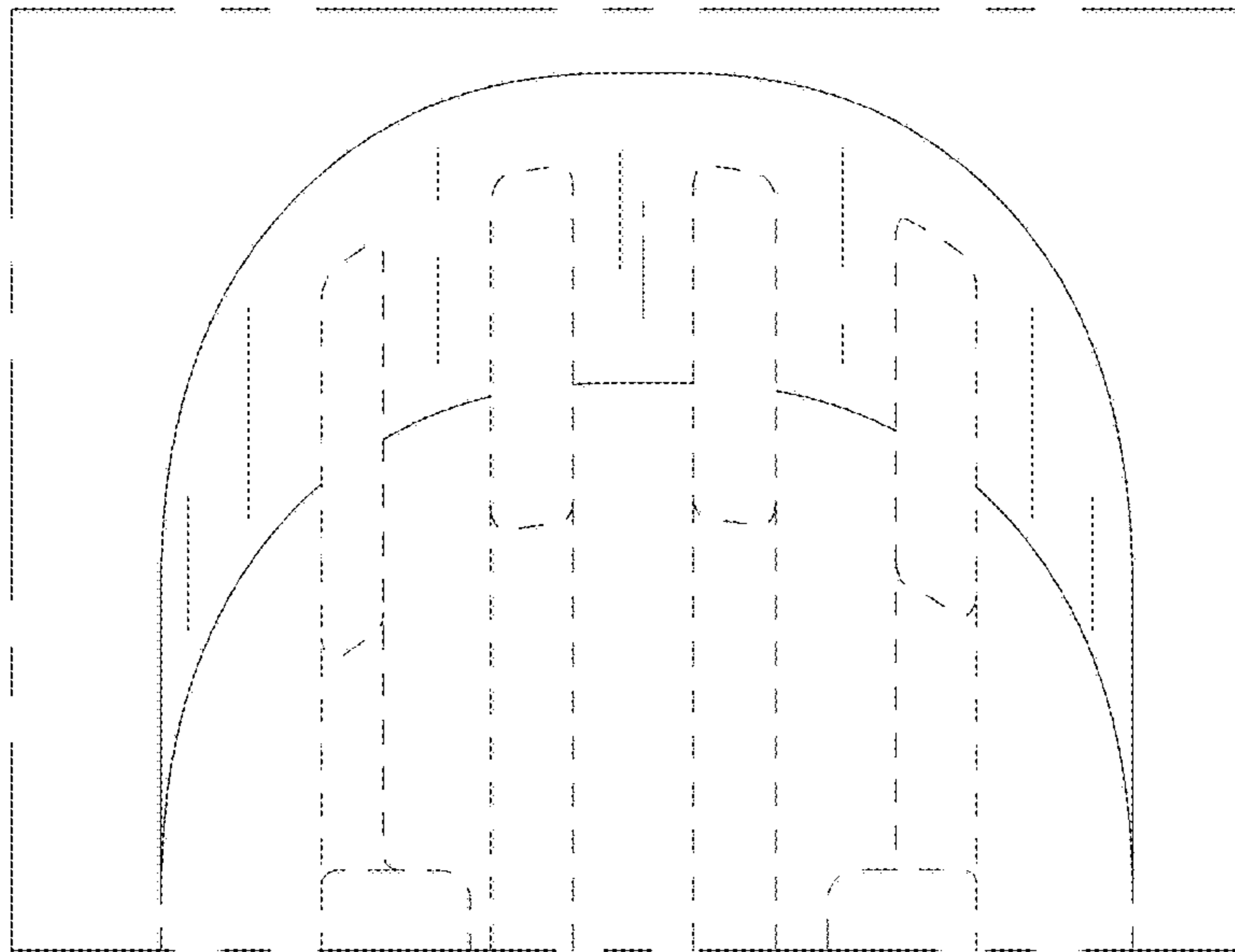


FIG. 21

