



US00D857672S

(12) **United States Design Patent** (10) **Patent No.:** **US D857,672 S**
Zhao (45) **Date of Patent:** **** Aug. 27, 2019**

(54) **HDTV ANTENNA** D364,169 S * 11/1995 Geneve D14/235
6,396,239 B1 * 5/2002 Benn F24S 30/452
320/101
(71) Applicant: **Shenzhen TUKO Technology Co.,** D523,850 S * 6/2006 Godar D14/235
Ltd, Shenzhen (CN) D630,161 S * 1/2011 Cormack D13/102
9,534,812 B2 * 1/2017 Furutani F03G 6/06
(72) Inventor: **Guodong Zhao, Shenzhen (CN)** D783,521 S * 4/2017 Negley D13/102
D813,800 S * 3/2018 Mori D13/102
(**) Term: **15 Years** 2015/0194561 A1 * 7/2015 Toya H01L 31/0543
250/208.1

(21) Appl. No.: **29/616,204**
(22) Filed: **Sep. 4, 2017**
(51) **LOC (12) Cl.** **14-03**
(52) **U.S. Cl.**
USPC **D14/230**
(58) **Field of Classification Search**
USPC ... D14/230.1, 203.3, 203.6, 230-238, 238.1,
D14/204, 216, 221, 240, 242, 299, 314,
D14/343, 496, 509; D13/102
CPC H01Q 1/12; H01Q 1/22; H01Q 1/007;
H01Q 1/38; H01Q 7/00; H01Q 9/40;
H01Q 9/285; H01Q 9/065; H01Q 9/44;
H01Q 9/265; H01Q 19/10; H01Q 19/106;
H01Q 19/12; H01Q 19/13; H01Q 19/15;
H01Q 19/30; H01Q 21/28; H01Q 21/06;
H01Q 21/062; H01Q 21/293; H01Q 7/02;
H01Q 1/08; G05D 1/02; G05D 1/0234;
H01L 31/0543; F24S 30/452; F16M
11/10

See application file for complete search history.

(56) **References Cited**

U.S. PATENT DOCUMENTS

1,684,262 A * 9/1928 Reginald H01Q 7/02
248/121
4,249,185 A * 2/1981 De Cesari H01Q 1/08
343/871
4,383,520 A * 5/1983 Huebl F16M 11/10
126/605
D363,489 S * 10/1995 Geneve D14/235

OTHER PUBLICATIONS

Tuko Wholesale TV Antenna Item No. TG01-020, online, no post date, <URL: <http://www.tukoantenna.com/view-96-1.html>>, retrieved Nov. 8, 2018.*

* cited by examiner

Primary Examiner — Jeffrey D Asch
Assistant Examiner — Rebekah A Caruso
(74) *Attorney, Agent, or Firm* — W&K IP

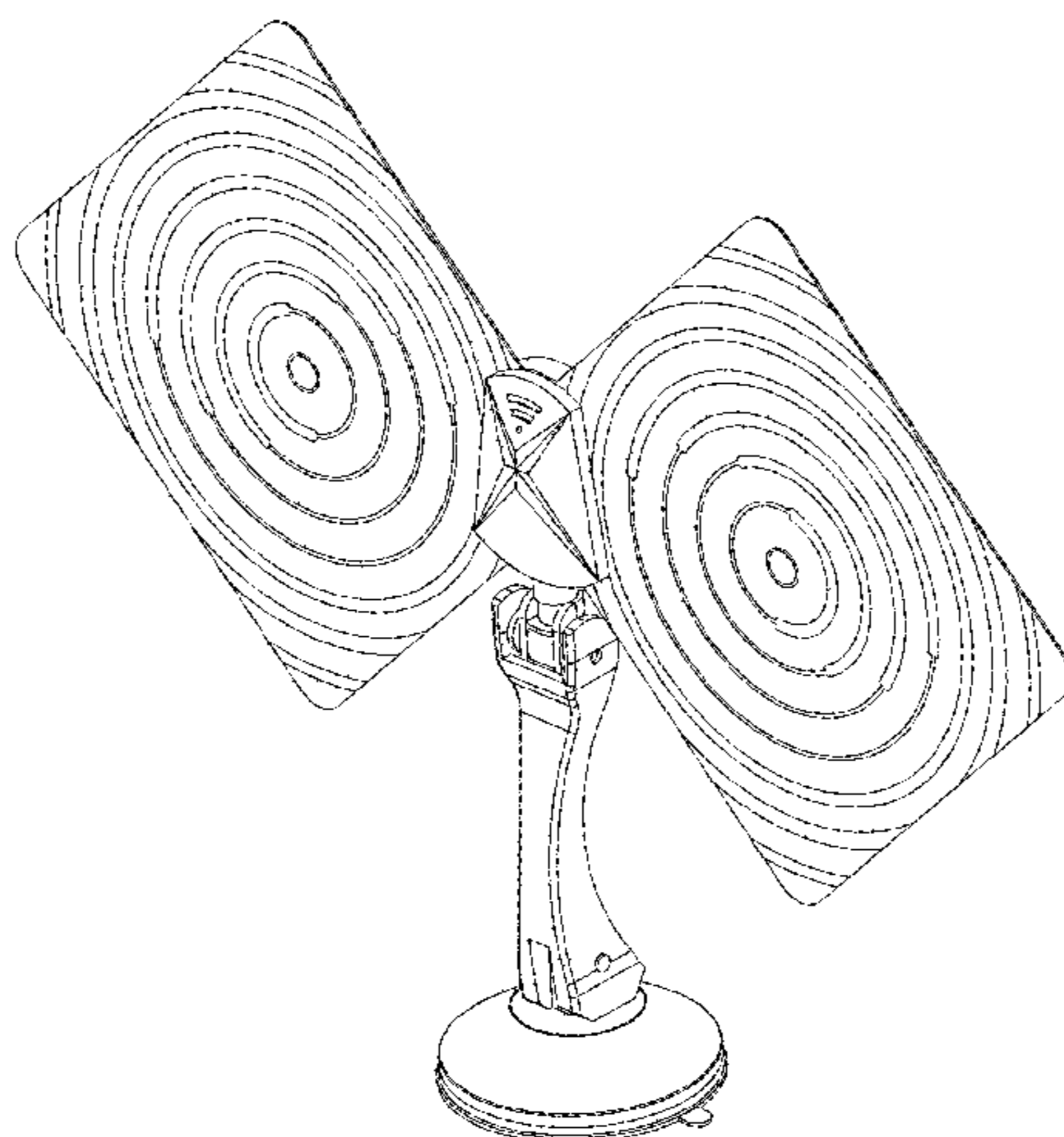
(57) **CLAIM**

The ornamental design for an HDTV antenna, as shown and described.

DESCRIPTION

FIG. 1 is perspective view showing my design;
FIG. 2 is a front view showing my design;
FIG. 3 is a back view showing my design;
FIG. 4 is a left side view showing my design;
FIG. 5 is a right side view showing my design;
FIG. 6 is a top view showing my design; and,
FIG. 7 is a bottom view showing my design.
The broken lines depict portions of the article that form no part of the claimed design.

1 Claim, 7 Drawing Sheets



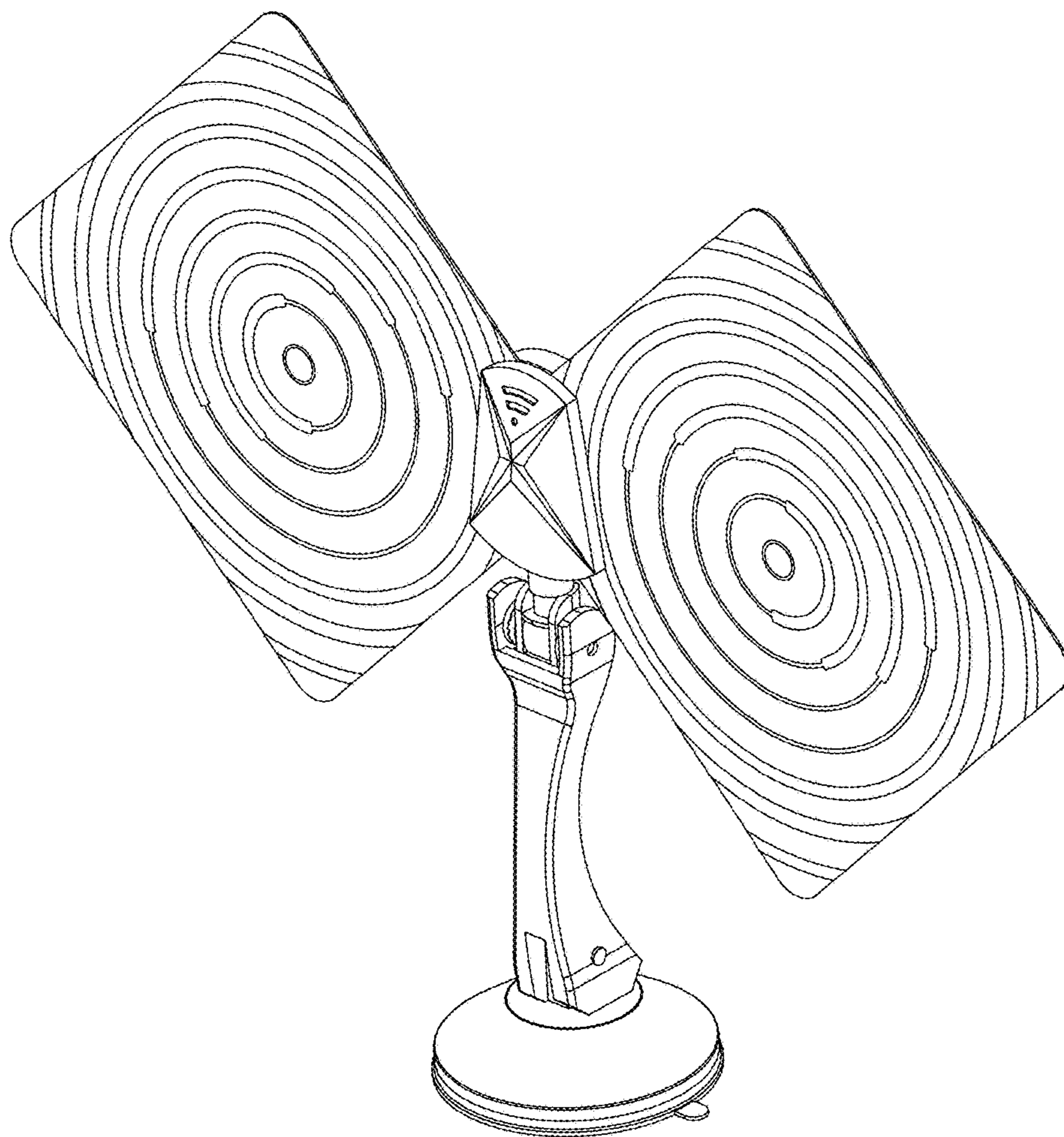


FIG. 1

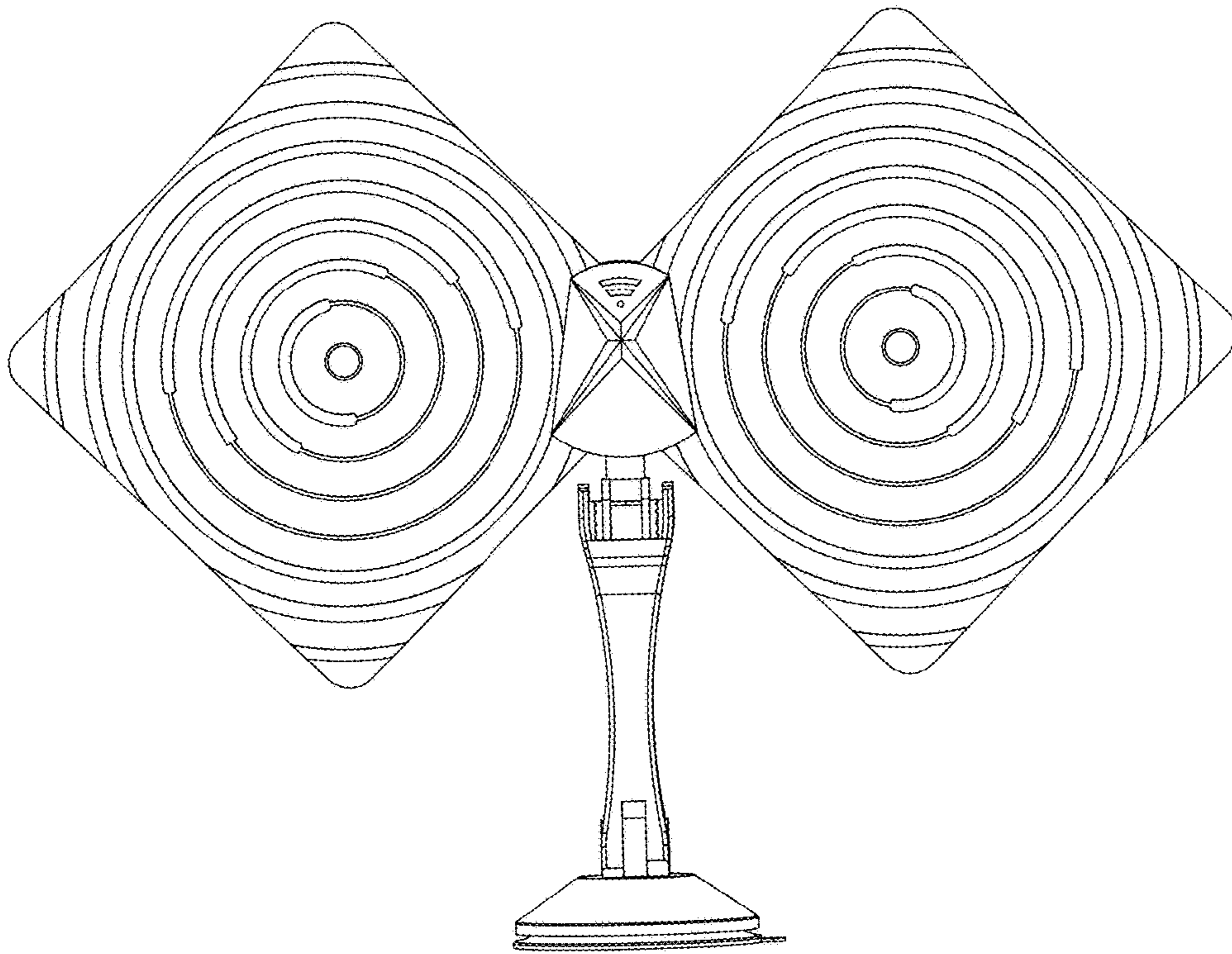


FIG. 2

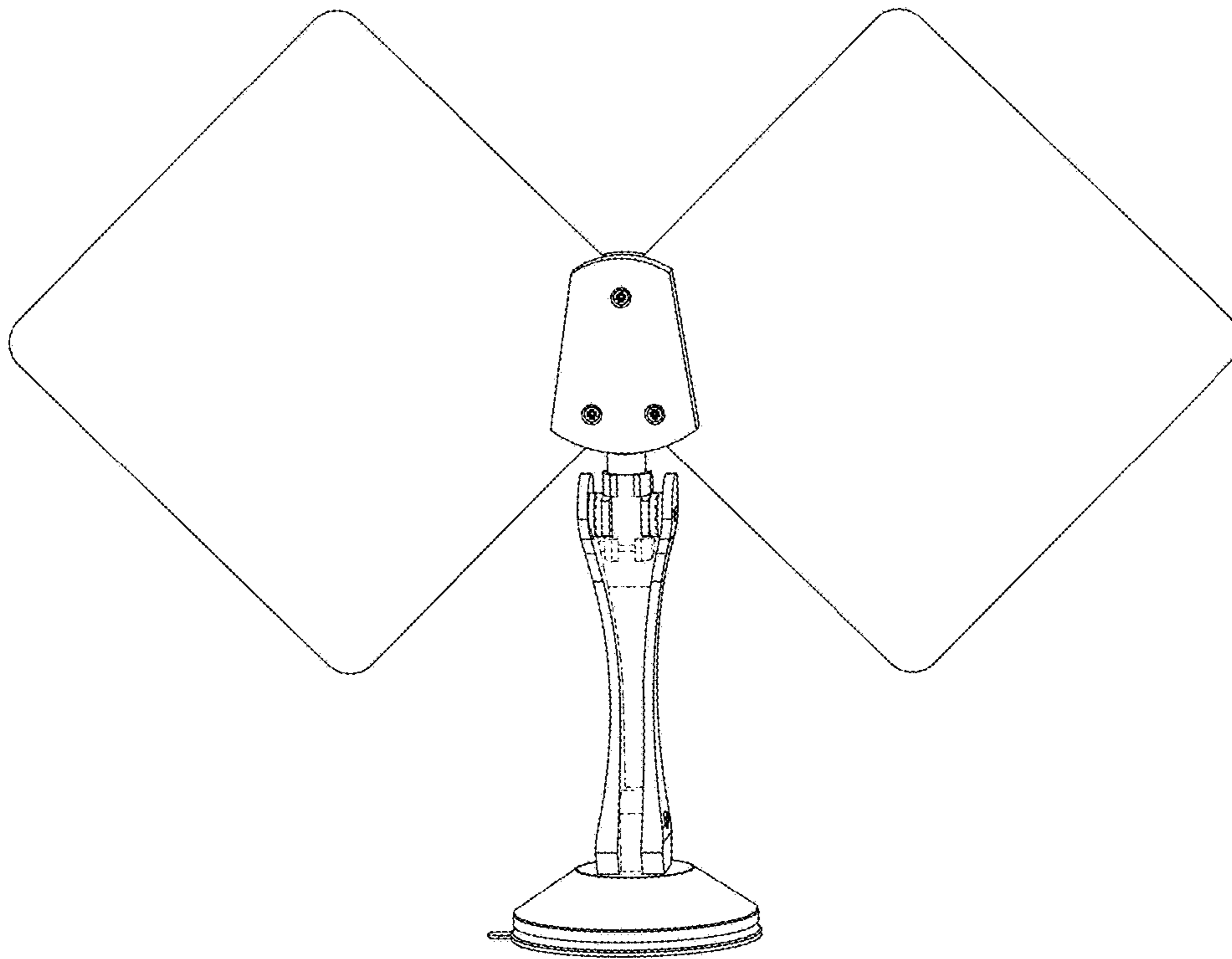


FIG. 3

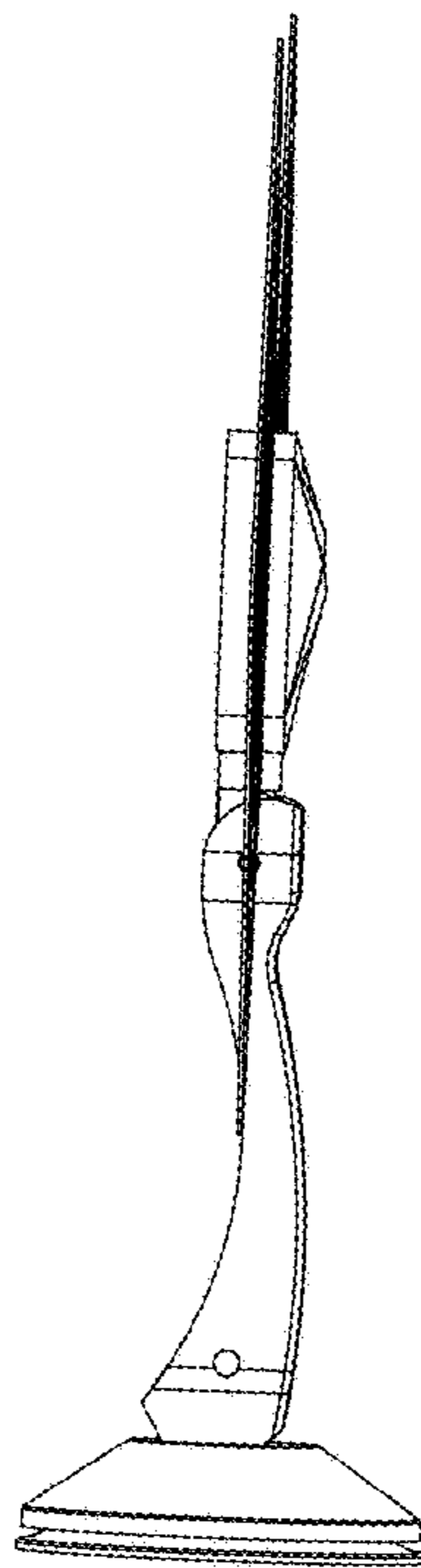


FIG. 4

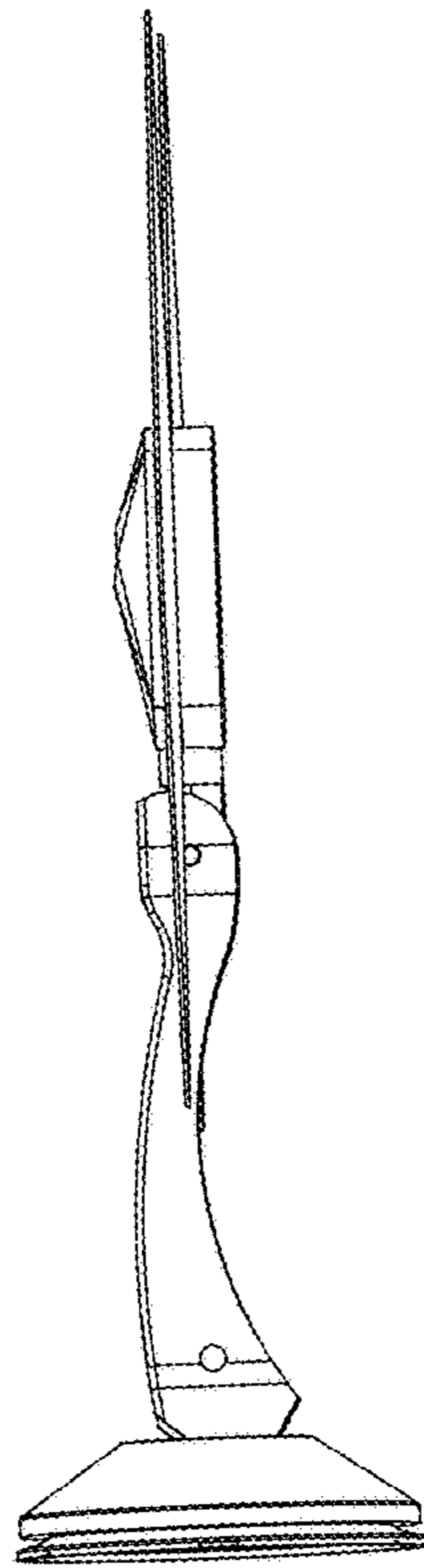


FIG. 5

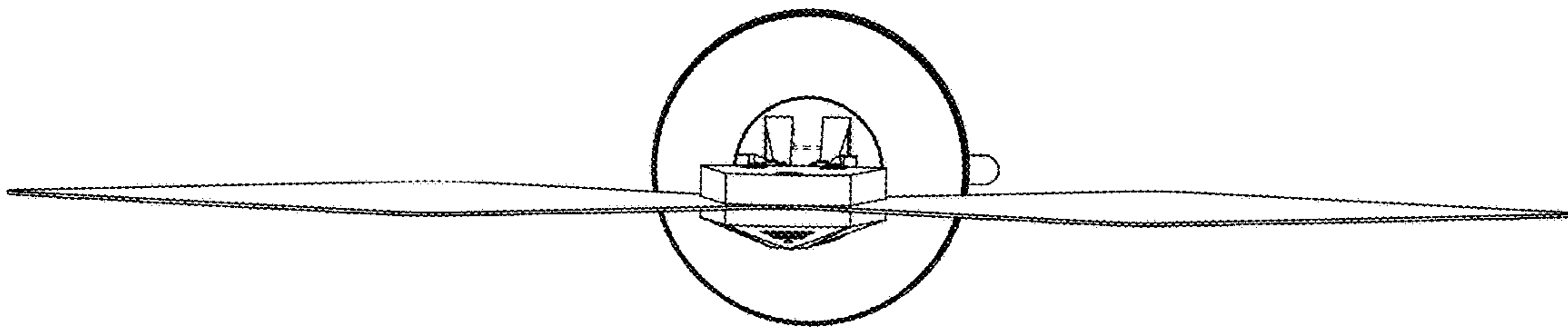


FIG. 6

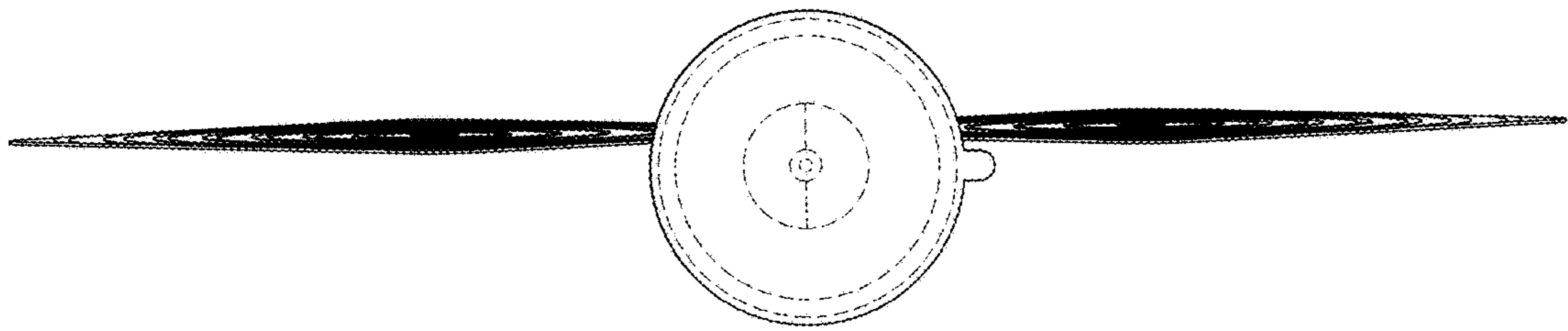


FIG. 7