



US00D857670S

(12) **United States Design Patent**
Yang et al.

(10) **Patent No.:** **US D857,670 S**

(45) **Date of Patent:** **** Aug. 27, 2019**

(54) **ANTENNA**

(71) Applicant: **SHENZHEN ANTOP TECHNOLOGY LIMITED**, Shenzhen (CN)

(72) Inventors: **Ruidian Yang**, Shenzhen (CN); **Bojia Yang**, Shenzhen (CN)

(73) Assignee: **SHENZHEN ANTOP TECHNOLOGY LIMITED**, Shenzhen (CN)

(**) Term: **15 Years**

(21) Appl. No.: **29/615,255**

(22) Filed: **Aug. 28, 2017**

(51) **LOC (12) Cl.** **14-03**

(52) **U.S. Cl.**
USPC **D14/230**

(58) **Field of Classification Search**
USPC ... D14/230.1, 203.3, 203.6, 230-238, 238.1, D14/204, 216, 221, 240, 242, 299, 314, D14/343, 496, 509, 497, 498, 500, 506, D14/168-172, 188, 195, 211, 265, 209, D14/358, 137; D21/324, 332, 333, 487; D13/107

CPC H01Q 1/12; H01Q 1/22; H01Q 1/007; H01Q 1/38; H01Q 7/00; H01Q 9/40; H01Q 9/285; H01Q 9/065; H01Q 9/44; H01Q 9/265; H01Q 19/10; H01Q 19/106; H01Q 19/12; H01Q 19/13; H01Q 19/15; H01Q 19/30; H01Q 21/28; H01Q 21/06; H01Q 21/062; H01Q 21/293; G05D 1/02; G05D 1/0234

See application file for complete search history.

(56) **References Cited**

U.S. PATENT DOCUMENTS

D346,598 S * 5/1994 McCay D14/137
D355,416 S * 2/1995 McCay D14/137

D536,665 S * 2/2007 Solland D13/108
D591,730 S * 5/2009 Pantaleone D14/216
D611,460 S * 3/2010 Chao D14/230
D698,765 S * 2/2014 Bremaud D14/231
D700,168 S * 2/2014 Bolton D14/216
D704,177 S * 5/2014 Chun D14/240
D711,345 S * 8/2014 Liu D14/140
D725,088 S * 3/2015 Kwak D14/240
D727,297 S * 4/2015 Valeur D14/216
D782,445 S * 3/2017 Ahn D14/216

(Continued)

OTHER PUBLICATIONS

Mogics' 'Power Donut', online, post date May 17, 2016, <URL: <https://ringofcolour.com/en/archives/17276> >, retrieved Oct. 26, 2018.*

(Continued)

Primary Examiner — Jeffrey D Asch

Assistant Examiner — Rebekah A Caruso

(74) *Attorney, Agent, or Firm* — Muncy, Geissler, Olds & Lowe, P.C.

(57) **CLAIM**

The ornamental design for an antenna, as shown and described.

DESCRIPTION

FIG. 1 is a front, top perspective view of an antenna showing our new design;

FIG. 2 is a front view thereof;

FIG. 3 is a rear elevational view thereof;

FIG. 4 is a top plan view thereof;

FIG. 5 is a bottom plan view thereof;

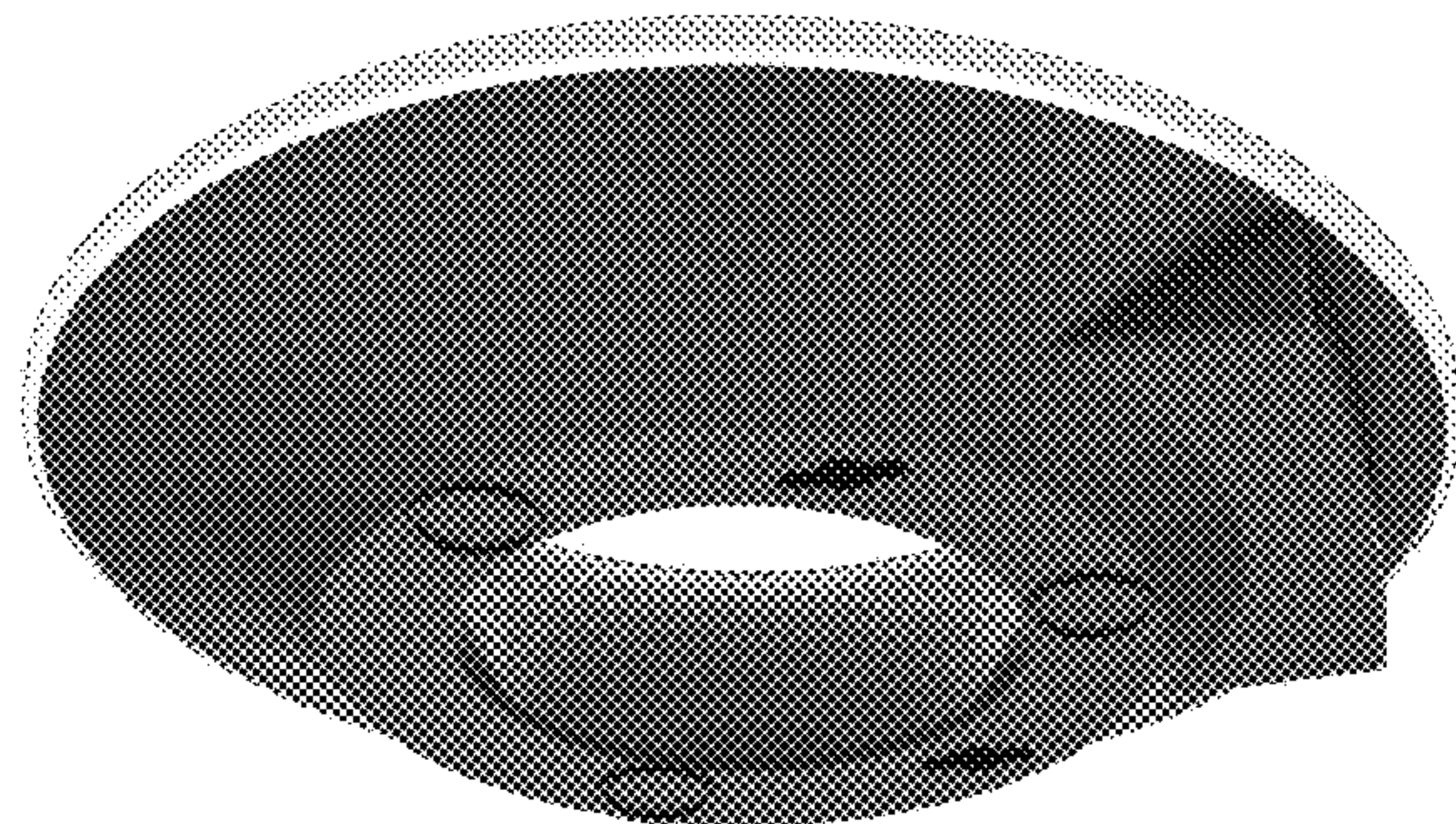
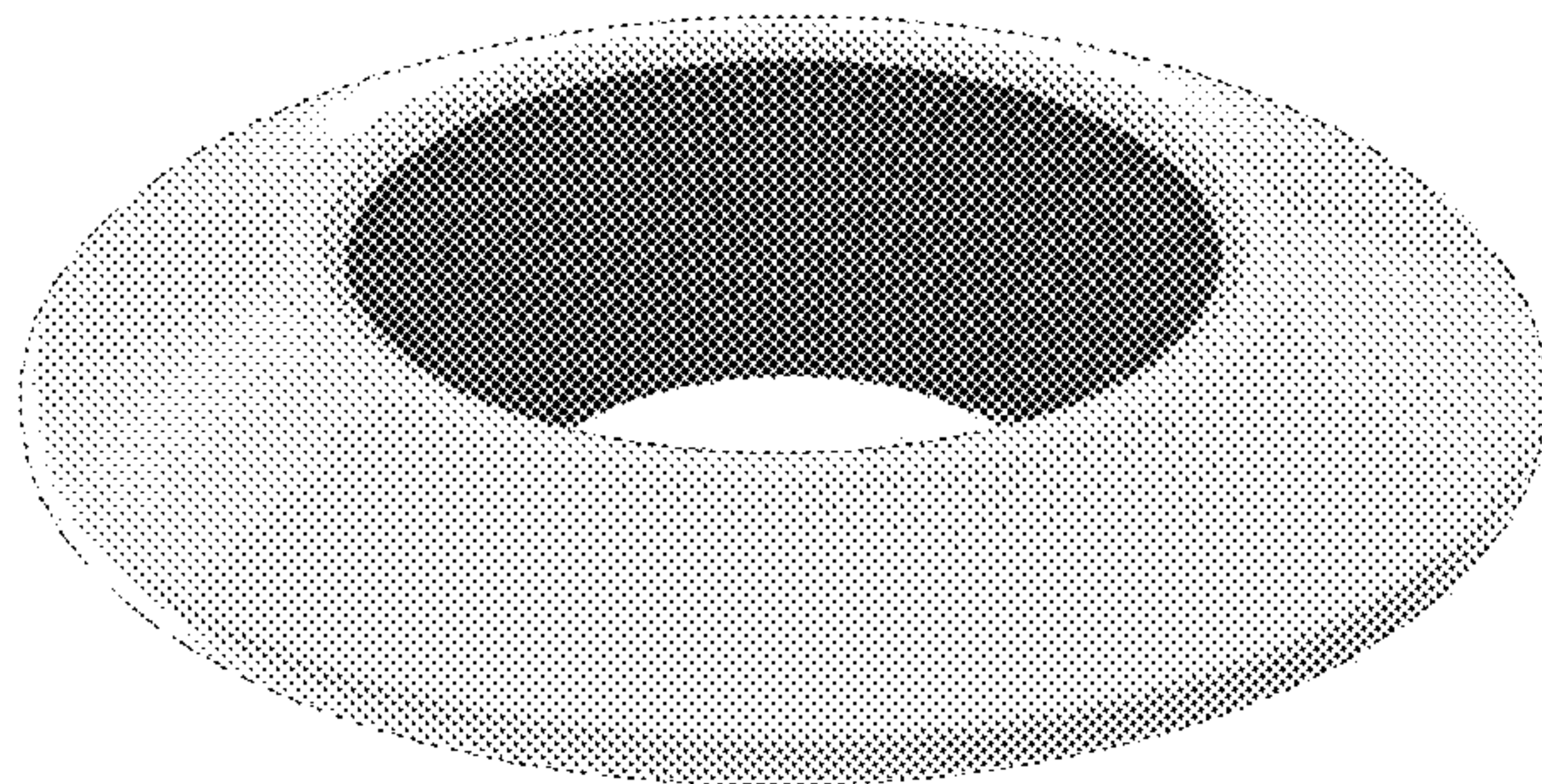
FIG. 6 is a left side view thereof;

FIG. 7 is a right side view thereof;

FIG. 8 is a rear, bottom, right perspective view thereof; and,

FIG. 9 is top, rear, left perspective view thereof.

1 Claim, 9 Drawing Sheets



(56)

References Cited

U.S. PATENT DOCUMENTS

D784,963	S	*	4/2017	Saule	D14/228
D794,557	S	*	8/2017	Kim	D13/108
D794,635	S	*	8/2017	Nimre	D14/230
D804,533	S	*	12/2017	Mangum	D14/496
D808,901	S	*	1/2018	Kelly	D13/107
D826,989	S	*	8/2018	Lim	D14/511

OTHER PUBLICATIONS

Doughnut Shape Magnetic Round Desk Cable Winder, online, no post date, <URL: <https://www.aliexpress.com/item/Doughnut-Shape-Magnetic-Round-Desk-Cable-Tidy-Plug-Holder-Line-Wire-Fixer-For-Power-Cable-Earphone/32693645146.html>>, retrieved Oct. 26, 2018.*

ICOCO Magnetic Floating Levitating Bluetooth Speaker, online, no post date, <URL: <https://www.aliexpress.com/item/ICOCO-Magnetic-Floating-Levitating-Bluetooth-Speaker-Lighting-Suspension-Ball-Shaped-Speaker-Light-Saucer-Base-Sale-Drop/32846772406.html>>, retrieved Oct. 26, 2018.*

MC-10 Round Flying Saucer Shaped 7.5W Qi Wireless Charger Pad for iPhone, online, no post date, <URL: <https://www.tvc-mall.com/details/mc-10-round-flying-saucer-shaped-7-5w-qi-wireless-charger-pad-for-iphone-x-8-8-plus-etc-black-sku102000970a.html>>, retrieved Oct. 26, 2018.*

* cited by examiner

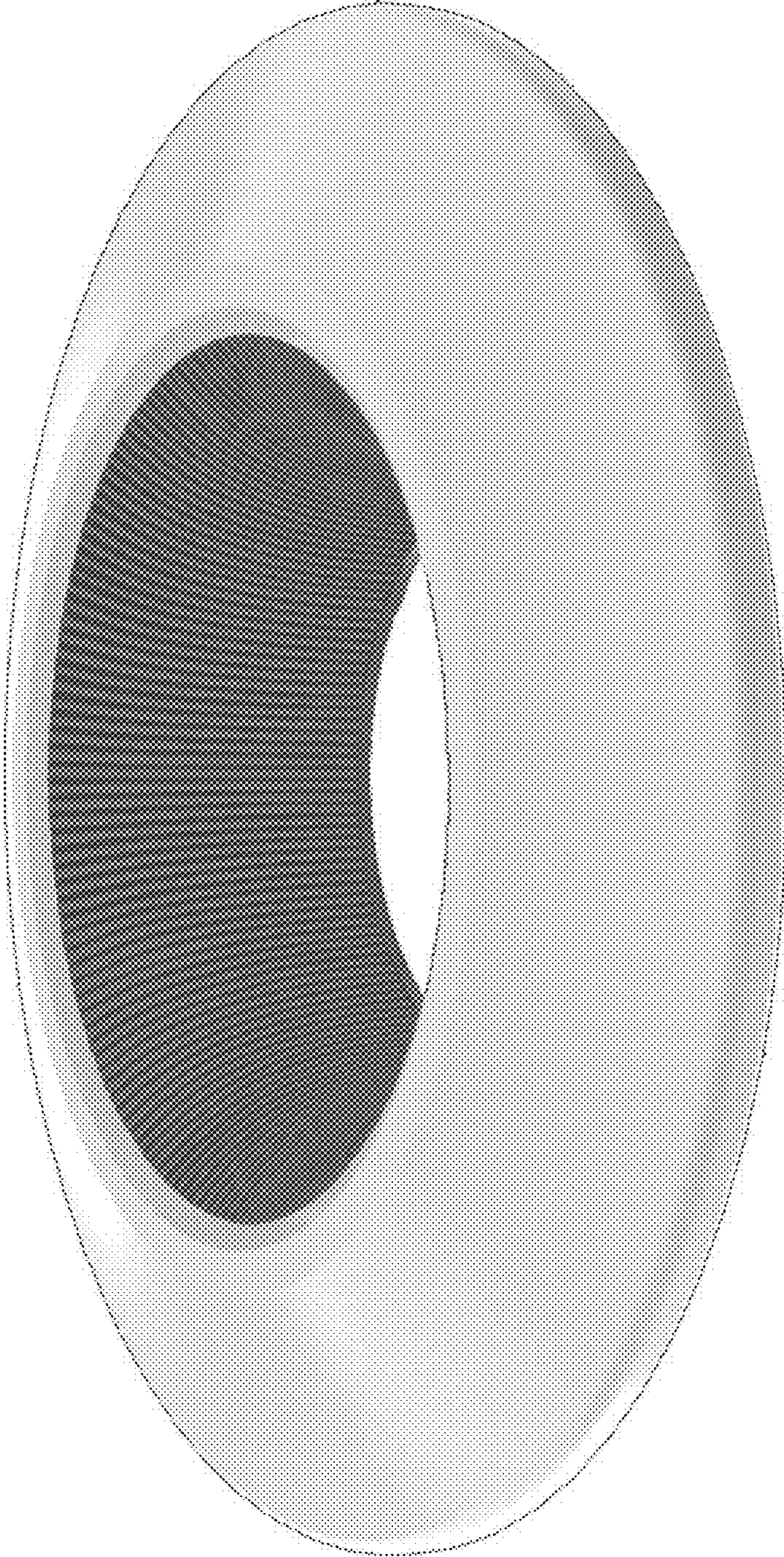


FIG. 1

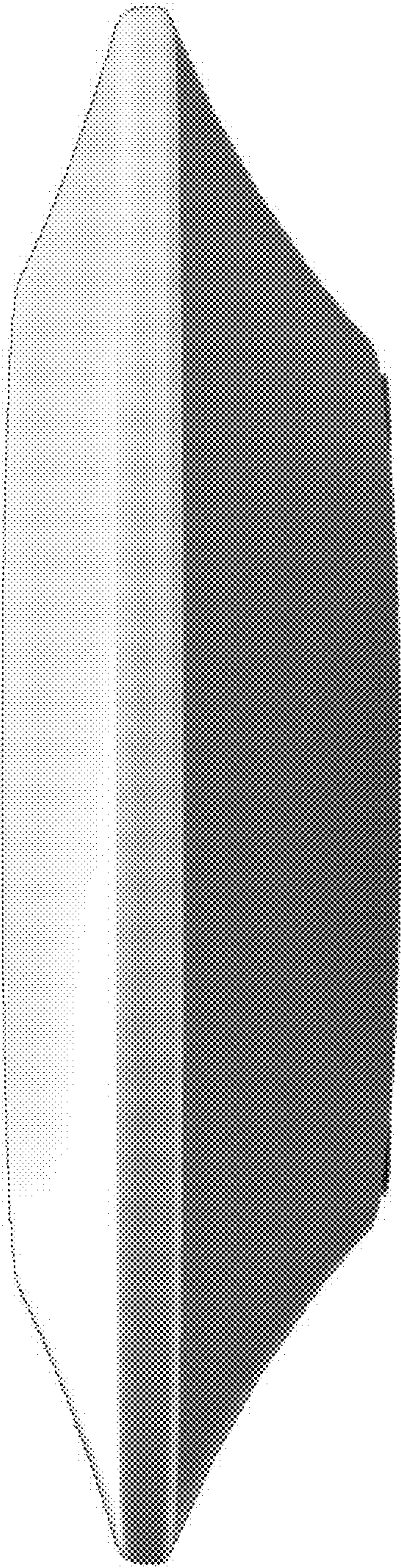


FIG. 2

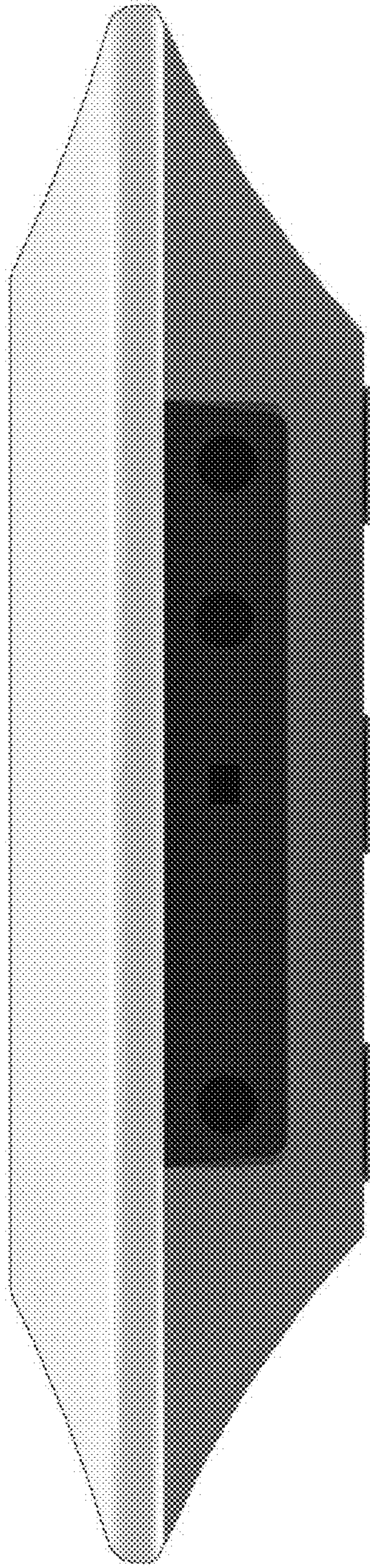


FIG. 3

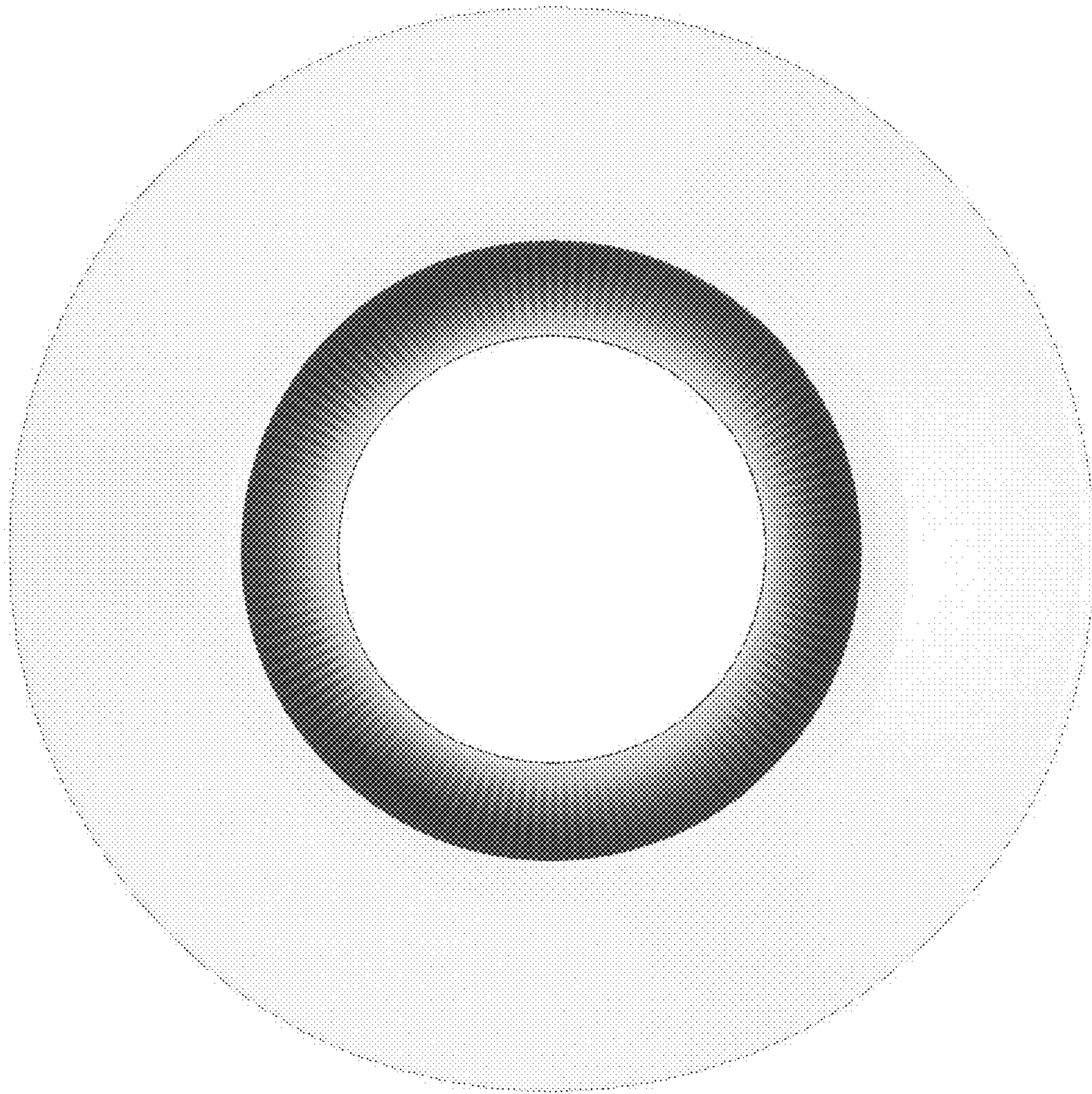


FIG. 4

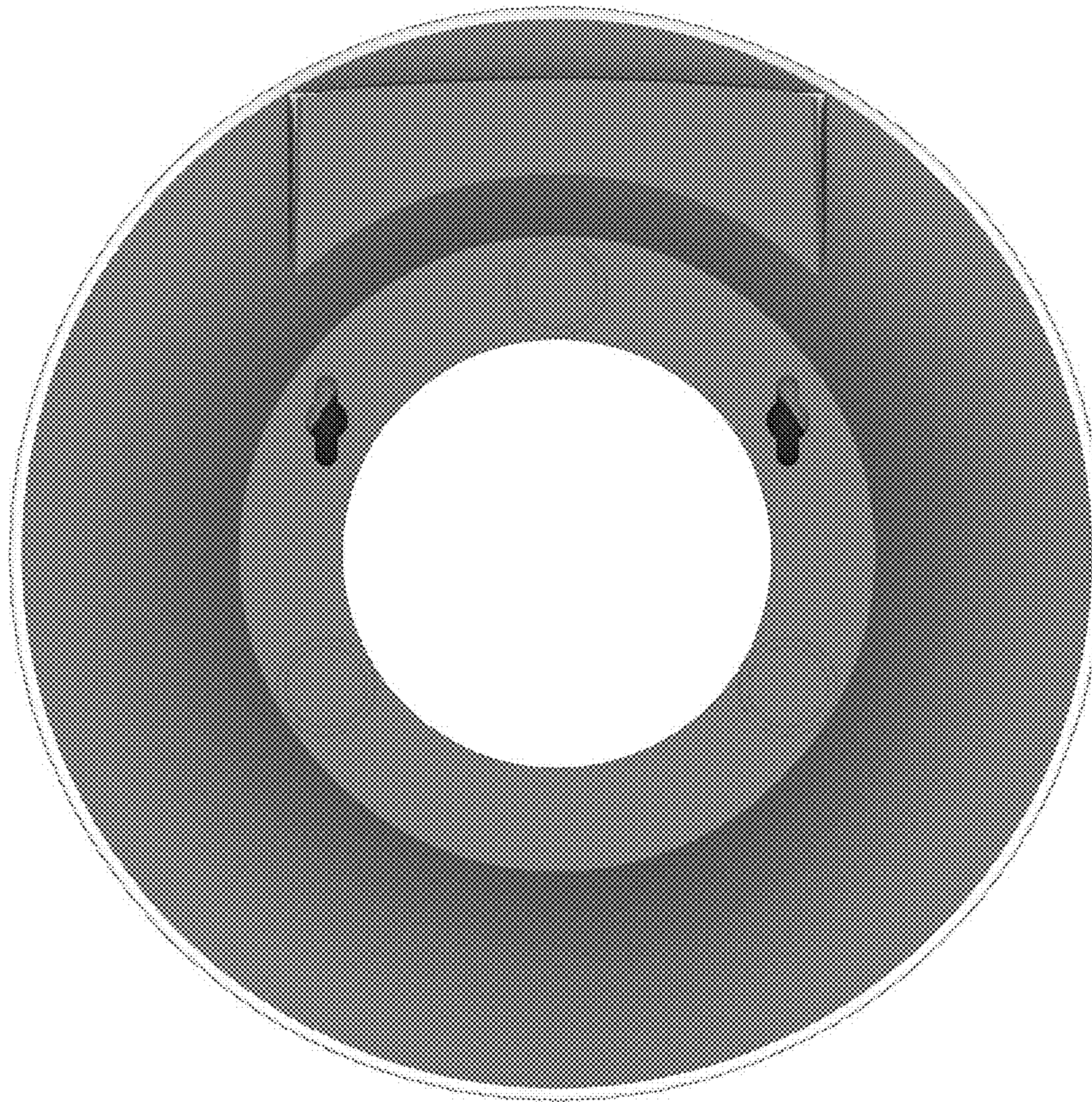


FIG. 5

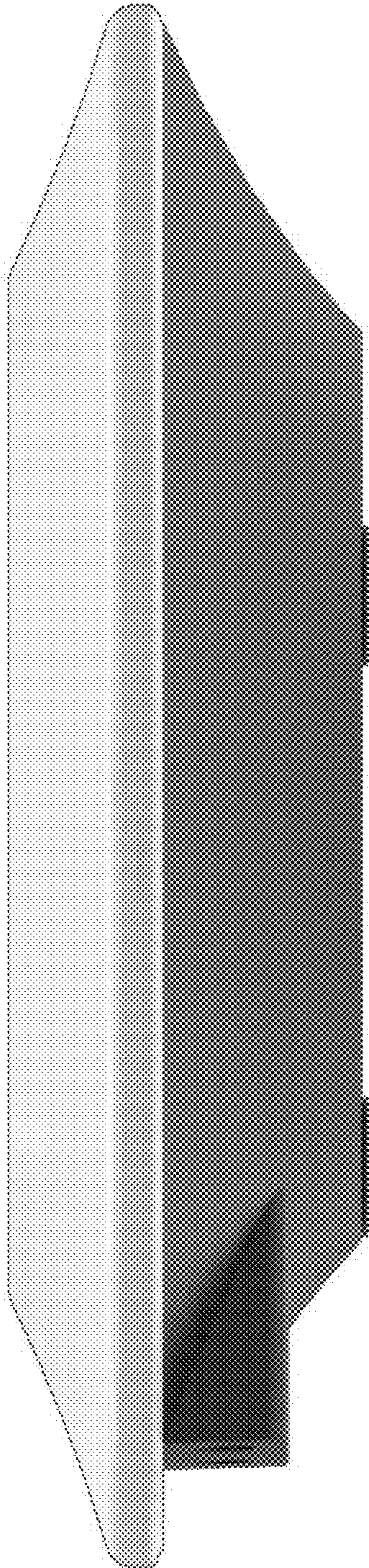


FIG. 6

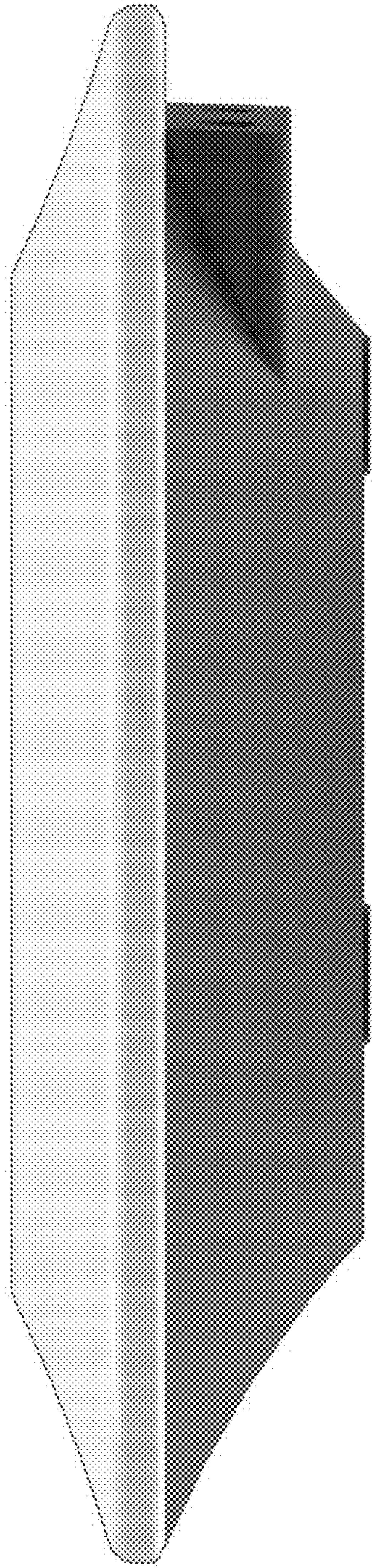


FIG. 7

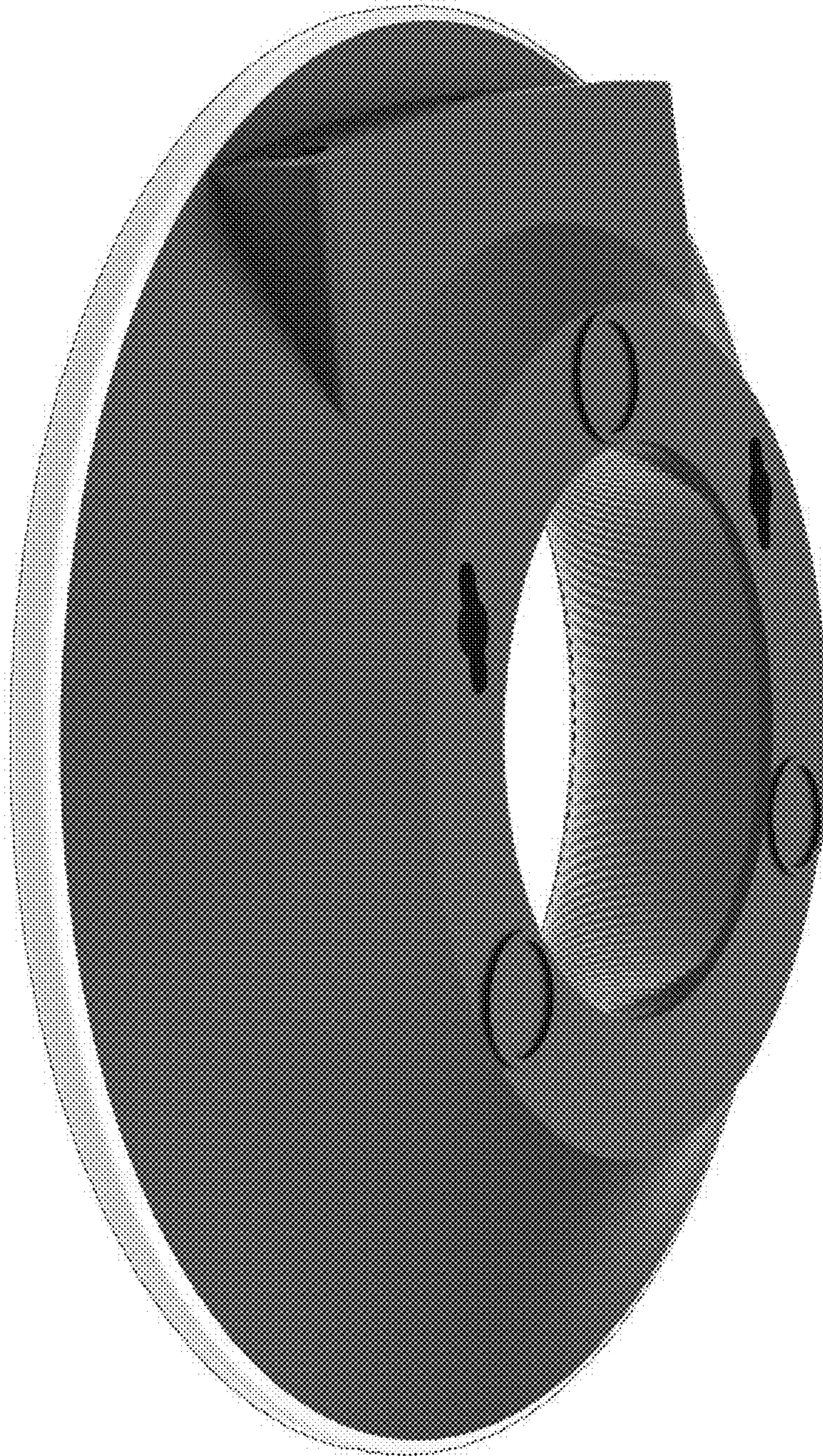


FIG. 8

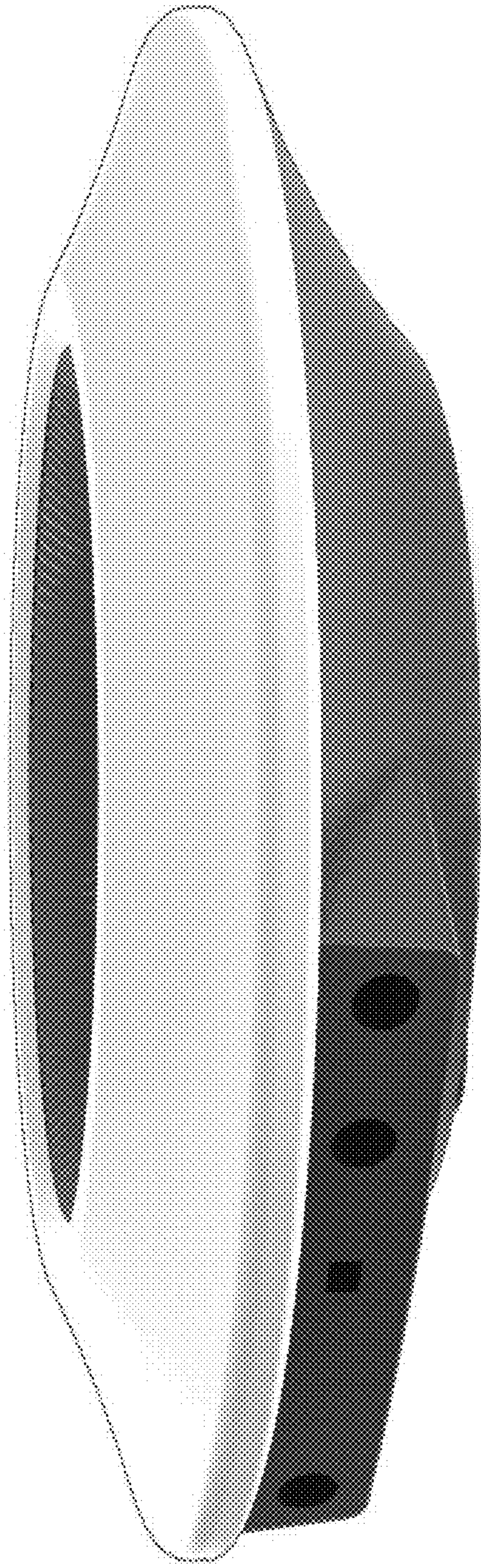


FIG. 9