



US00D857666S

(12) **United States Design Patent**
Alexander

(10) **Patent No.:** **US D857,666 S**

(45) **Date of Patent:** **** Aug. 27, 2019**

(54) **LOUDSPEAKER**

(71) Applicant: **Eric Jay Alexander**, Orem, UT (US)

(72) Inventor: **Eric Jay Alexander**, Orem, UT (US)

(**) Term: **15 Years**

(21) Appl. No.: **29/604,308**

(22) Filed: **May 17, 2017**

(51) **LOC (12) Cl.** **14-01**

(52) **U.S. Cl.**

USPC **D14/222**; D14/215

(58) **Field of Classification Search**

USPC D14/167, 168, 170–172, 188, 194–196,
D14/204, 209.1, 210–216, 219, 221, 222,
D14/224, 239, 496

CPC B60R 11/0217; G06F 1/1688; G10K 9/22;
G10K 11/004; H03F 1/327; H04M 1/03;
H04M 1/035; H04N 5/642; H04N
21/4852; H04R 1/02; H04R 1/06; H04R
1/021; H04R 1/025; H04R 1/026; H04R
1/028; H04R 1/105; H04R 1/323; H04R
1/403; H04R 1/2803; H04R 1/2834;
H04R 5/02; H04R 7/20; H04R 9/06;
H04R 9/025; H04R 2201/021; H04R
2400/00; H04R 2400/07; H04R 2499/11;
H04R 2499/13; H04R 2499/15; H04S
3/00; H04S 7/30

See application file for complete search history.

(56) **References Cited**

U.S. PATENT DOCUMENTS

D476,641 S * 7/2003 Castro H04R 1/26
D14/214
D645,024 S * 9/2011 Behar D14/214

D731,462 S * 6/2015 Behar D14/214
D738,352 S * 9/2015 Alexander D14/215
D813,840 S * 3/2018 Rabinowitz D14/215
D834,558 S * 11/2018 Klosowski D14/210
2018/0338203 A1* 11/2018 Alexander H04R 1/26

* cited by examiner

Primary Examiner — Keli L Hill

(74) *Attorney, Agent, or Firm* — Kirton McConkie; Adam
D. Stevens

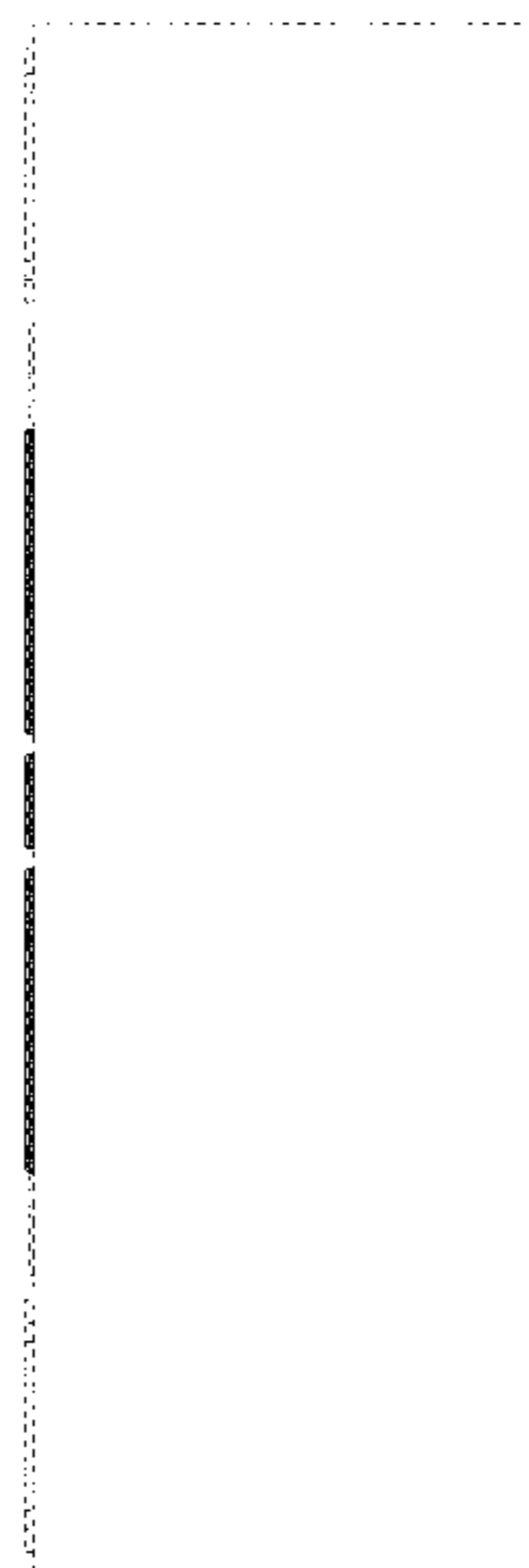
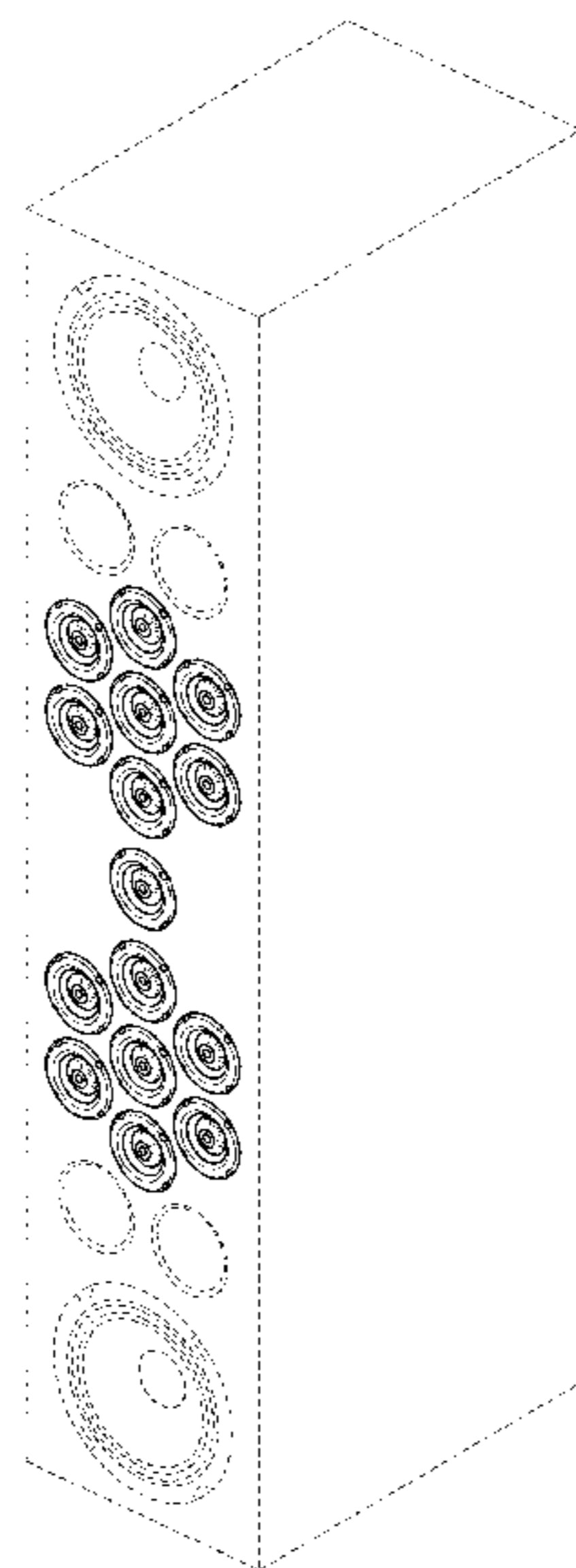
(57) **CLAIM**

The ornamental design for a loudspeaker, as shown and
described.

DESCRIPTION

FIG. 1 is a perspective view of a loudspeaker incorporating
the design of the invention;
FIG. 2 is a front view thereof;
FIG. 3 is a back view thereof;
FIG. 4 is a left-side view thereof;
FIG. 5 is a right-side view thereof;
FIG. 6 is a top view thereof;
FIG. 7 is a bottom view thereof;
FIG. 8 is a perspective view of an alternate embodiment of
a loudspeaker incorporating the design of the invention;
FIG. 9 is a perspective view of an alternate embodiment of
a loudspeaker incorporating the design of the invention; and,
FIG. 10 is a perspective view of an alternate embodiment of
a loudspeaker incorporating the design of the invention.

1 Claim, 6 Drawing Sheets



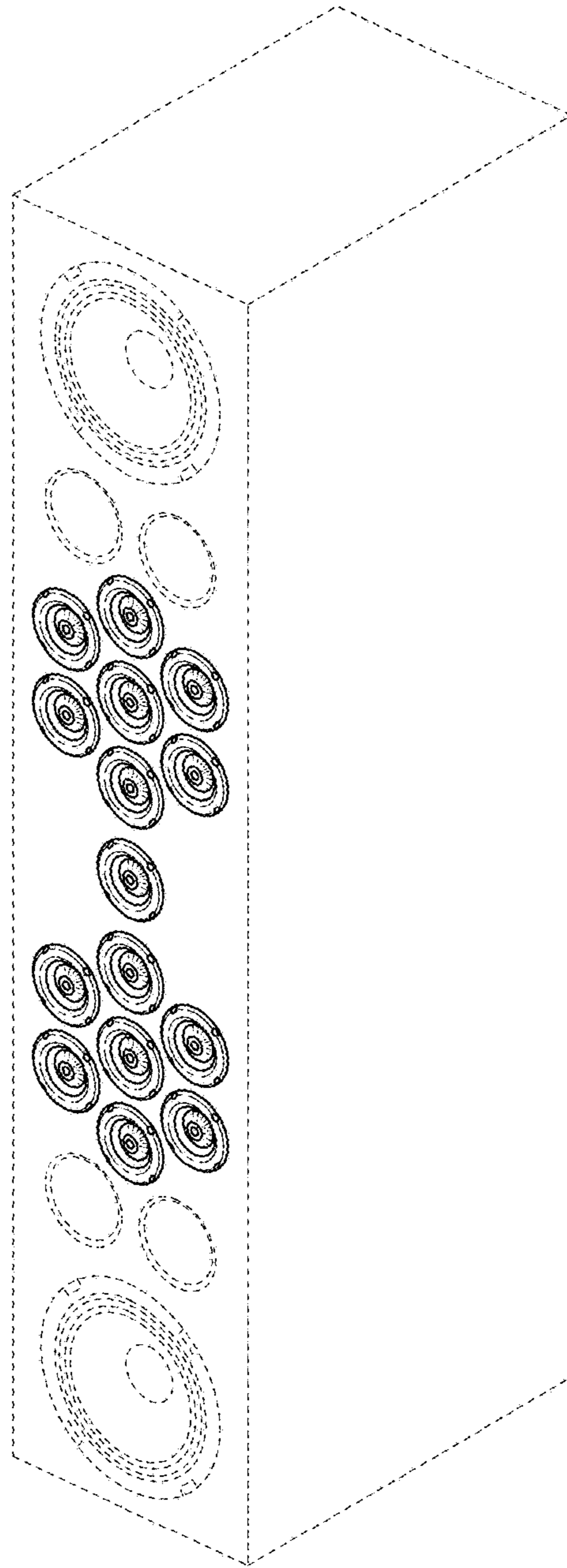


FIG. 1

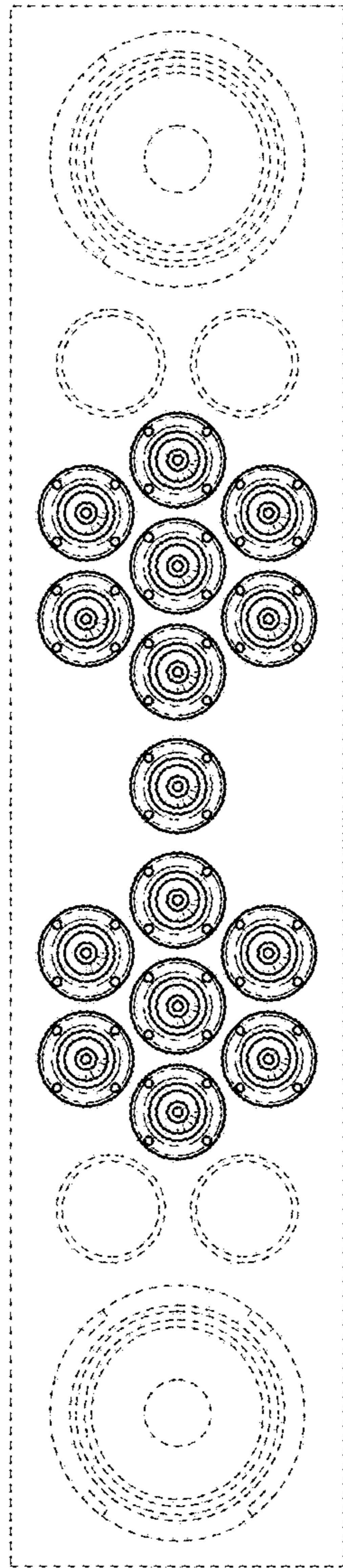


FIG. 2

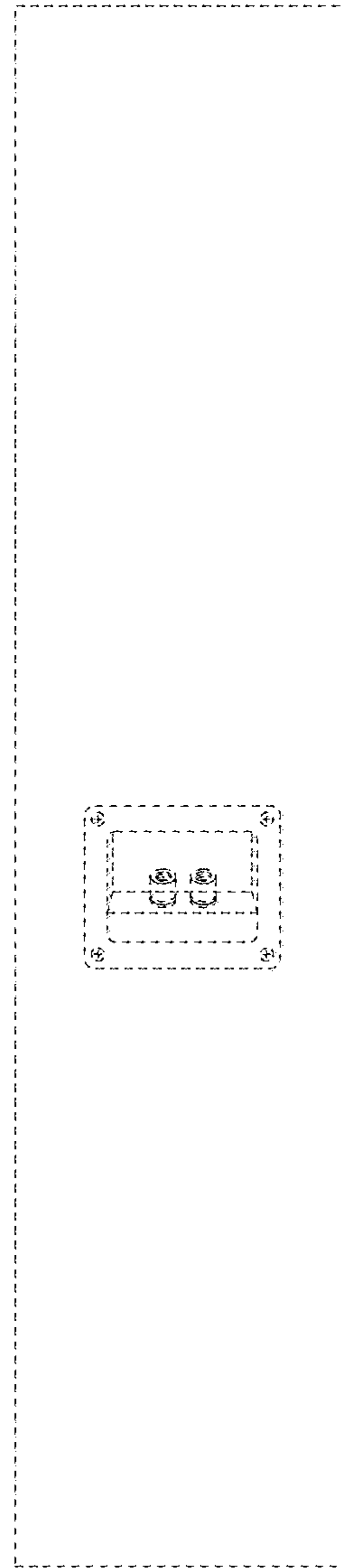


FIG. 3

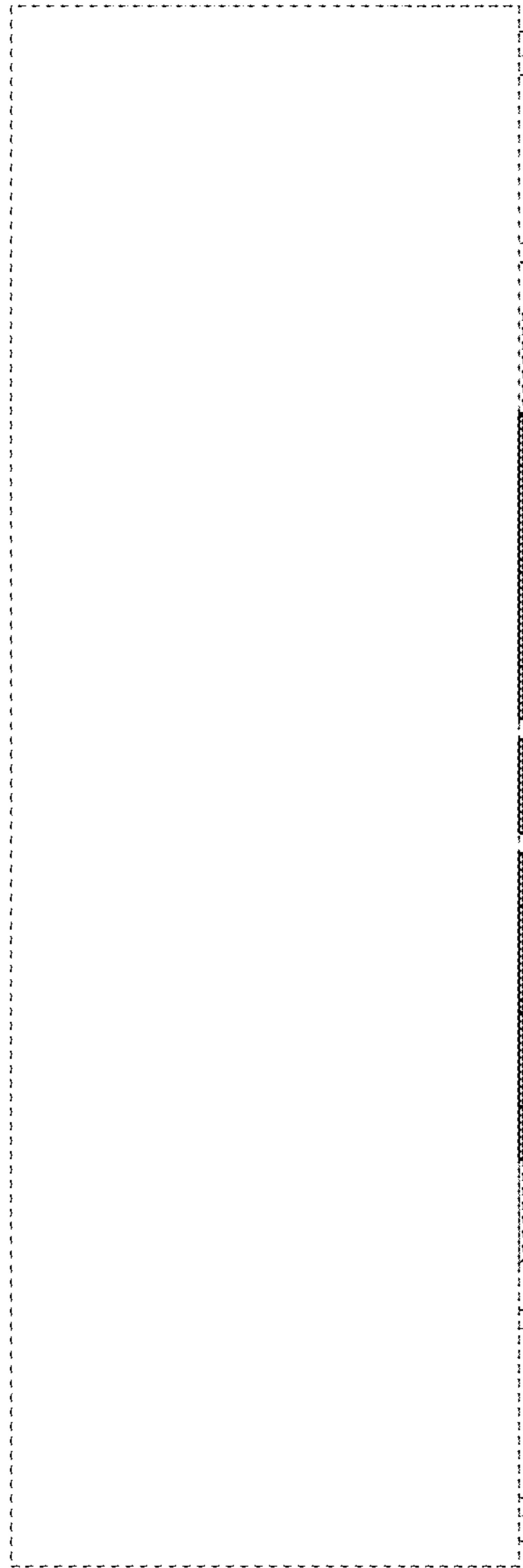


FIG. 4

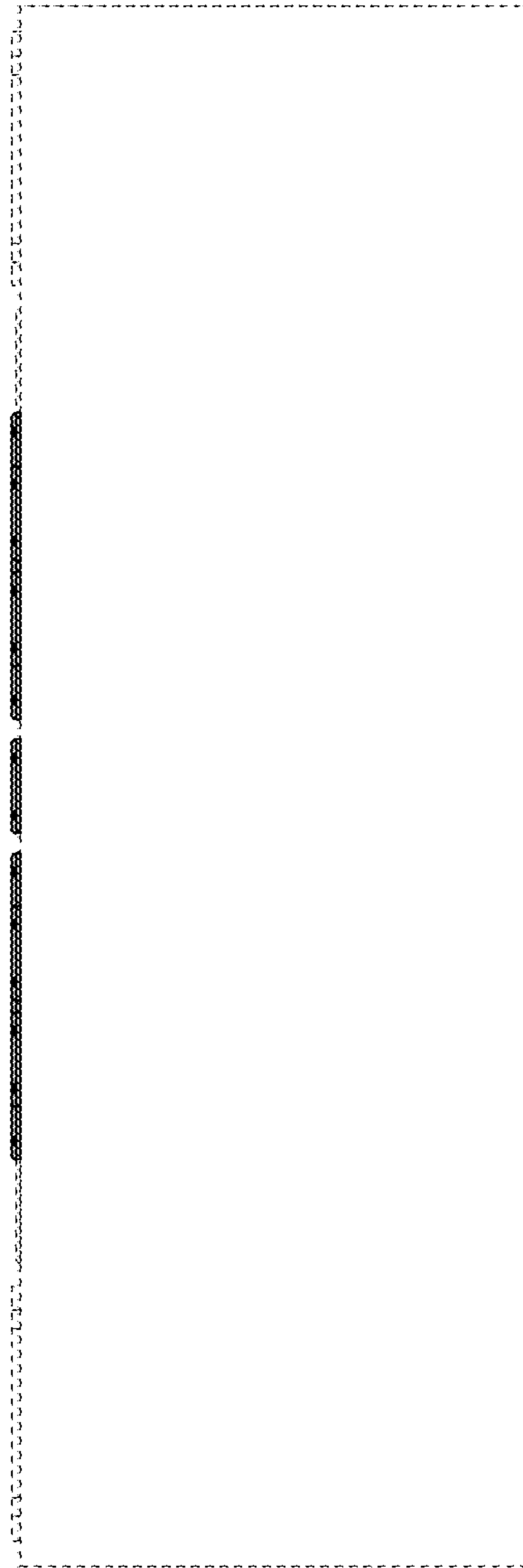


FIG. 5

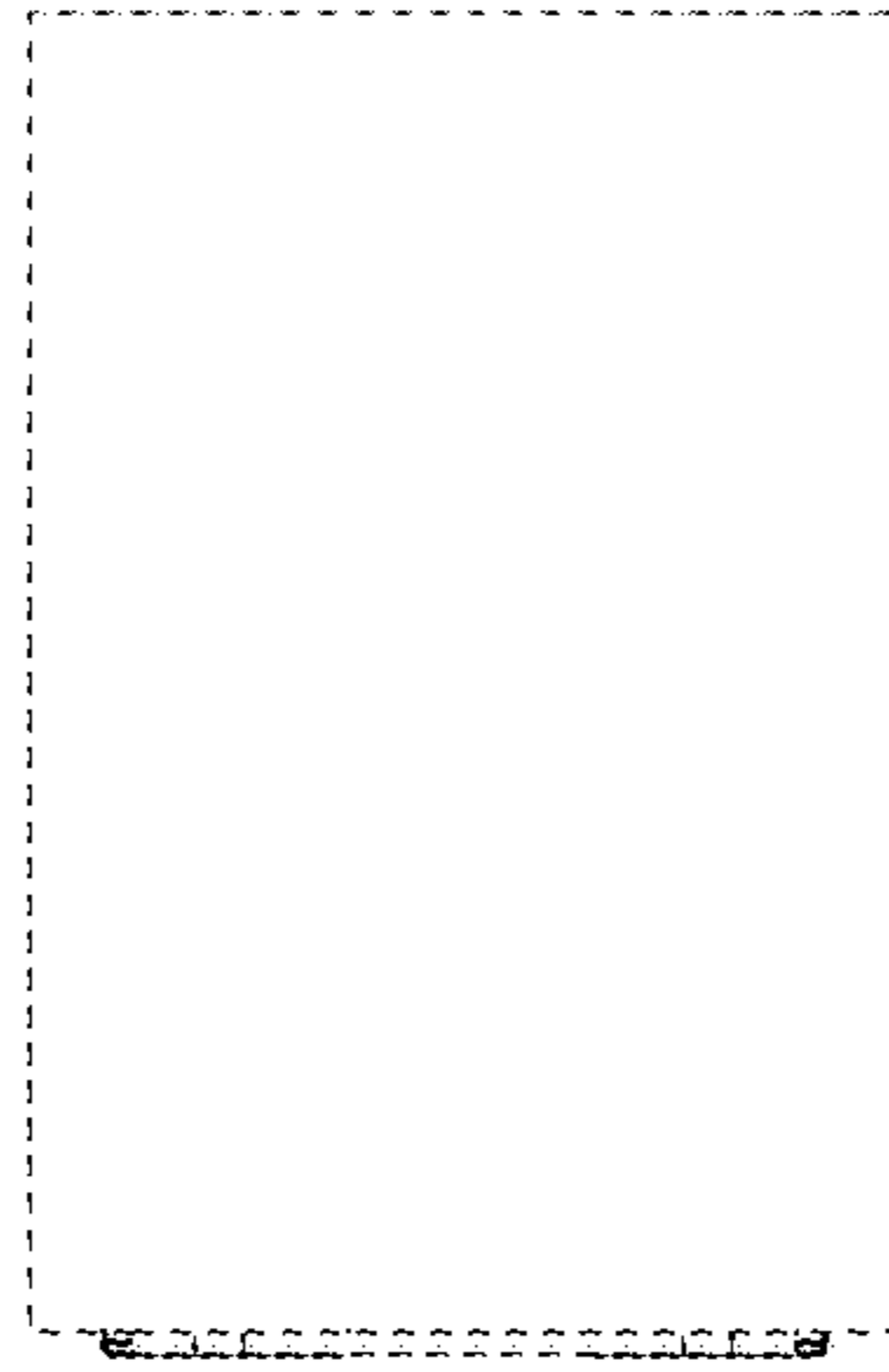


FIG. 6

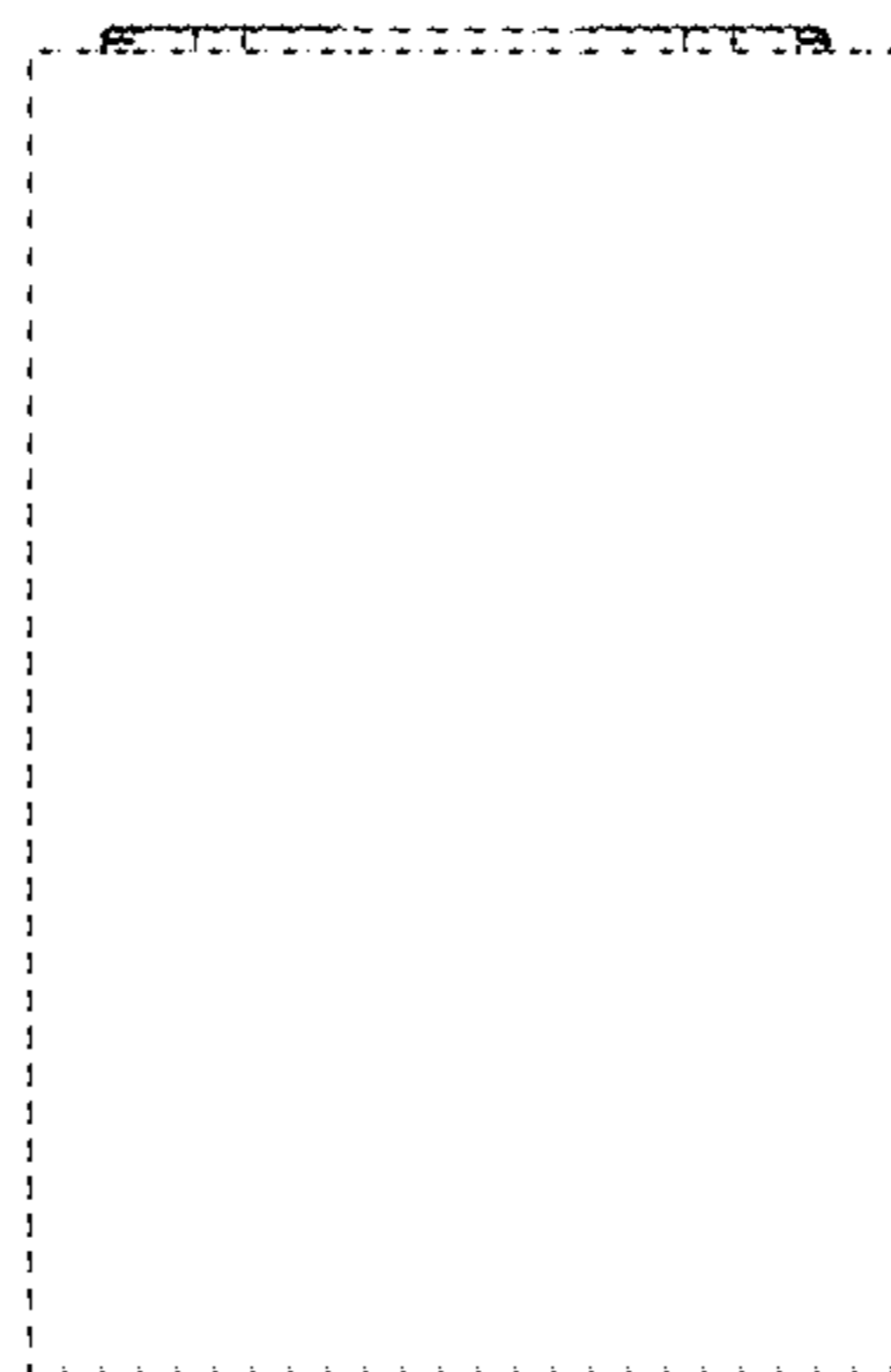


FIG. 7

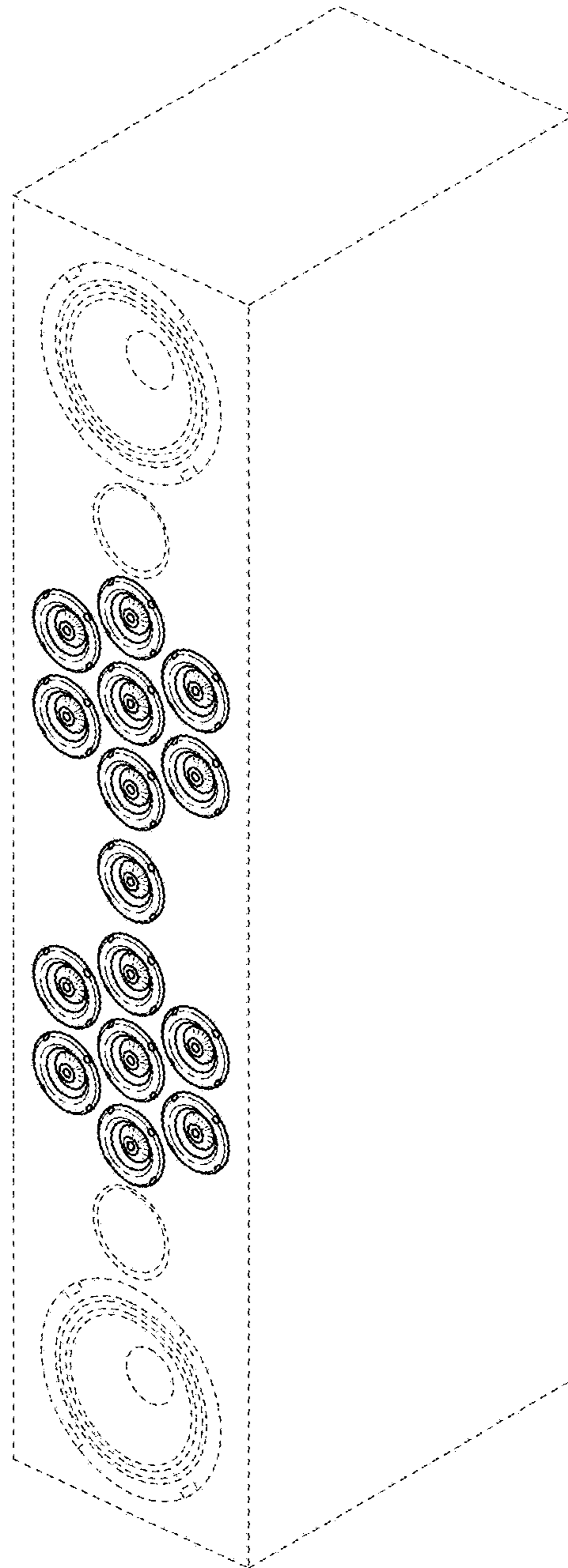


FIG. 8

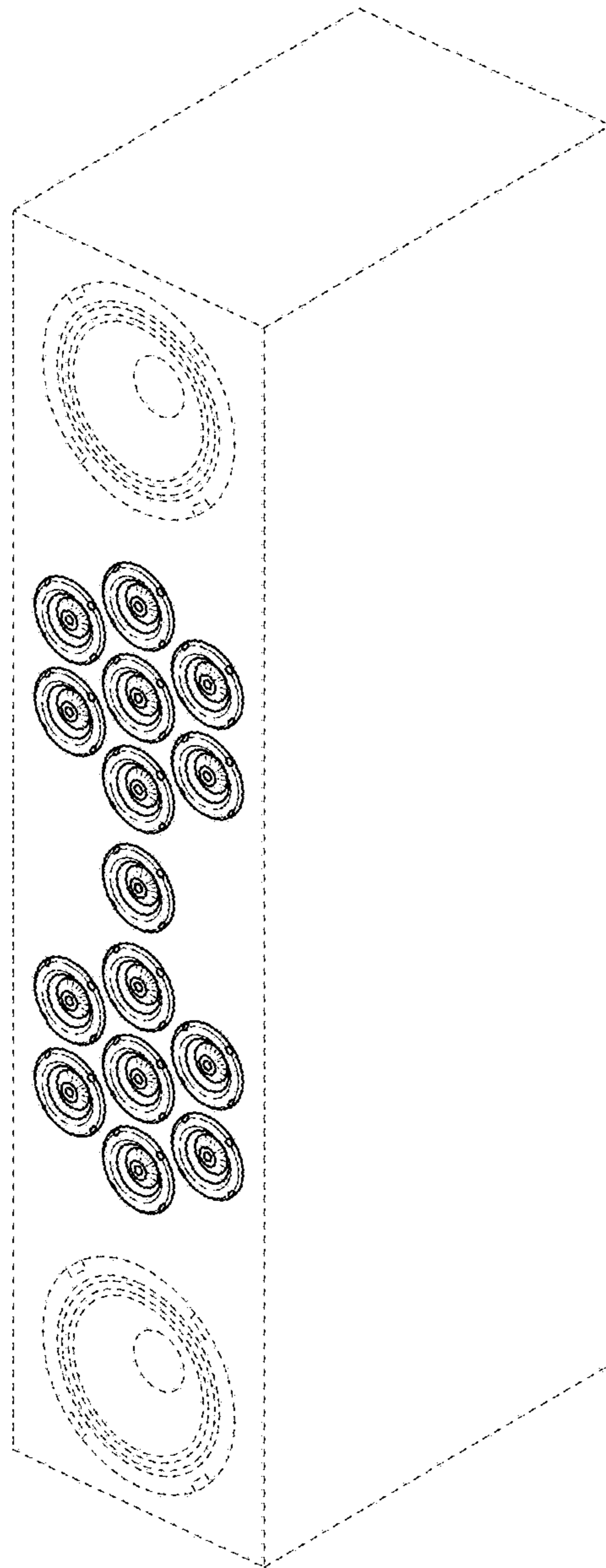


FIG. 9

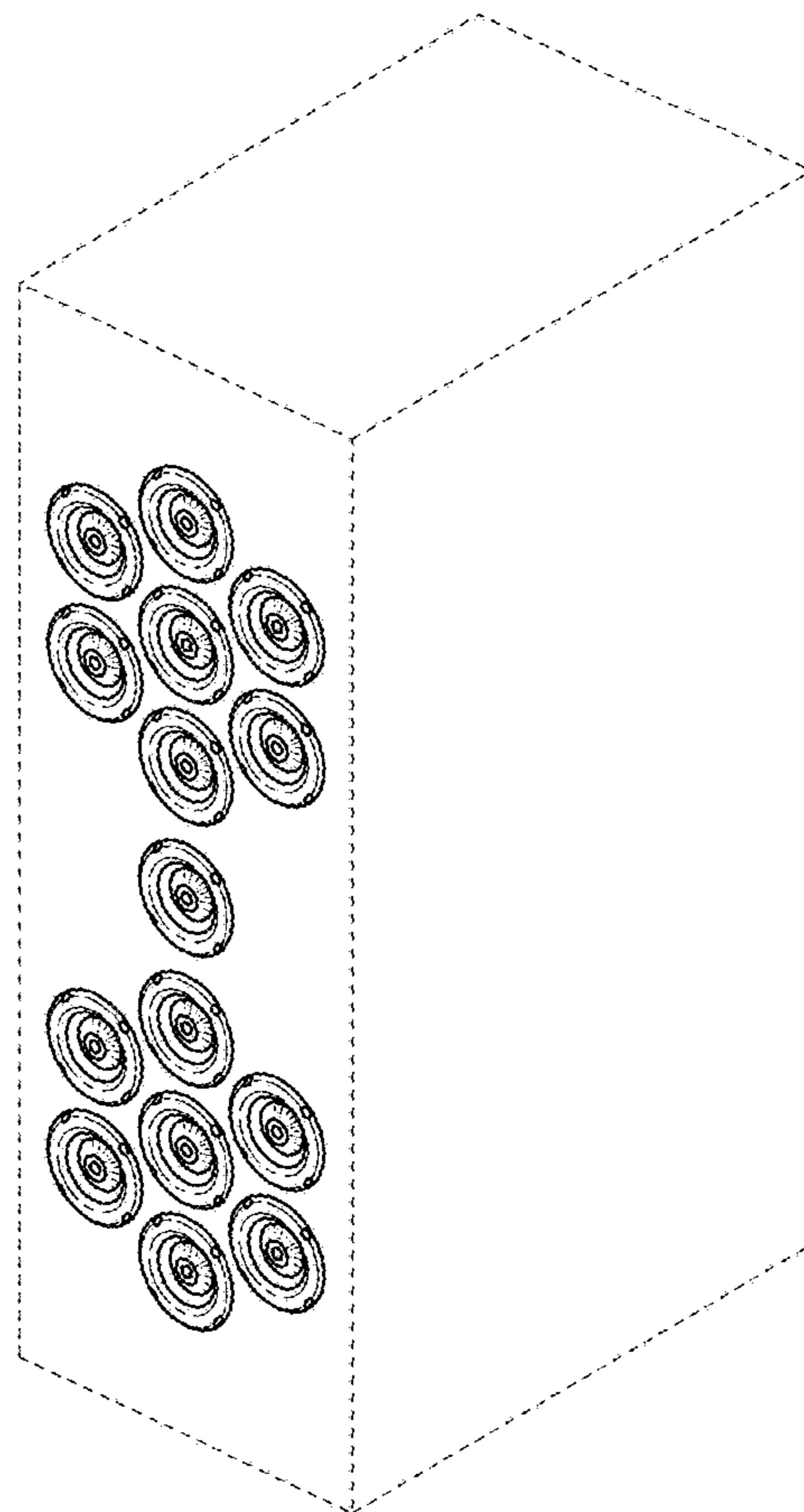


FIG. 10