



US00D857665S

(12) **United States Design Patent** (10) **Patent No.:** **US D857,665 S**
Young et al. (45) **Date of Patent:** **** Aug. 27, 2019**

(54) **COMPUTER ACCESSORY DEVICE**

D622,710 S * 8/2010 Goransson D14/218
D680,972 S * 4/2013 Hunter D13/168
D699,224 S * 2/2014 Diamond D14/218
D709,837 S * 7/2014 Charleux D13/168

(71) Applicant: **Hewlett-Packard Development Company, L.P.**, Houston, TX (US)

(Continued)

(72) Inventors: **Eric Young**, Boise, ID (US); **Matthew B. Clark**, Vancouver, WA (US); **Cathy YaChuan Chen**, Boise, ID (US); **Pierre Harper**, Boise, ID (US); **Steven M. Frane**, Boise, ID (US); **Greg P. Pietz**, Boise, ID (US); **Samuel Yuichi Ogami**, Palo Alto, CA (US); **Nash Steven Stanton**, Boise, ID (US)

FOREIGN PATENT DOCUMENTS

CN 304541865 * 3/2018

(73) Assignee: **Hewlett-Packard Development Company, L.P.**, Spring, TX (US)

OTHER PUBLICATIONS

HP AJ652AA Notebook—Newegg.com, website 2019, ste visited Mar. 9, 2019, https://www.newegg.com/...00&gclid=Cj0KCQiA5Y3kBRDwARIsAEwloL4kzA2HiAG0-UWY1GDuMG25XUqdU2BBIm7XGzNPZz2Y6IWpp88sh14aAgR-EALw_wcB&gclid=aw.ds.*

(**) Term: **15 Years**

Primary Examiner — John Windmuller

Assistant Examiner — John R Yeh

(21) Appl. No.: **29/646,142**

(74) *Attorney, Agent, or Firm* — HP Inc. Patent Department

(22) Filed: **May 2, 2018**

(51) **LOC (12) Cl.** **14-03**

(57) **CLAIM**

(52) **U.S. Cl.**
USPC **D14/218**

The ornamental design for a computer accessory device, as shown and described.

(58) **Field of Classification Search**
USPC D14/218; D13/168
CPC G09G 5/00; G06F 3/033
See application file for complete search history.

DESCRIPTION

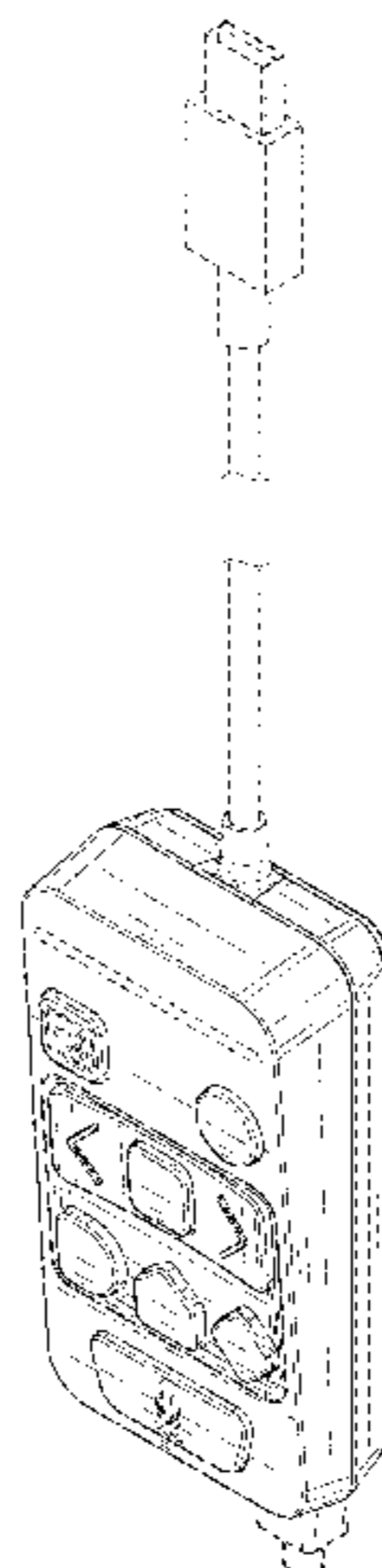
(56) **References Cited**

U.S. PATENT DOCUMENTS

D334,043 S * 3/1993 Taniguchi D14/218
5,949,407 A * 9/1999 Sato H03J 1/0025
345/169
D496,031 S * 9/2004 Ma D10/104.1
D496,638 S * 9/2004 Deubler, Jr. D10/104.1
D523,001 S * 6/2006 Hussaini D14/218
D526,623 S * 8/2006 Yin D13/168
D532,778 S * 11/2006 Hussaini D14/218
D585,876 S * 2/2009 Griffin D14/218
D588,101 S * 3/2009 Bradford D14/205
D605,168 S * 12/2009 Jaakkola D14/205
D622,708 S * 8/2010 Gentner D14/225

FIG. 1 is a top, front, left-side perspective view of a computer accessory device in accordance with our new design;
FIG. 2 is a front view thereof;
FIG. 3 is a rear view thereof;
FIG. 4 is a right-side elevation view thereof;
FIG. 5 is a left-side elevation view thereof;
FIG. 6 is a top plan view thereof; and,
FIG. 7 is a bottom plan view thereof.
The broken lines immediately adjacent the shaded area represent the bounds of the claimed design while all other broken lines are directed to environment and are for illustrative purpose only. The broken lines form no part of the claimed design.

1 Claim, 6 Drawing Sheets



(56)

References Cited

U.S. PATENT DOCUMENTS

D719,935	S	*	12/2014	Diamond	D14/218
D731,469	S	*	6/2015	Turksu	D14/218
D772,201	S	*	11/2016	Lepchenske	D14/218
D785,598	S	*	5/2017	Ikonen	D14/218
D796,484	S	*	9/2017	Chen	D14/218
D806,673	S	*	1/2018	Mizrahi	D14/205
10,063,689	B2	*	8/2018	Lepchenske	H04M 1/7258

* cited by examiner

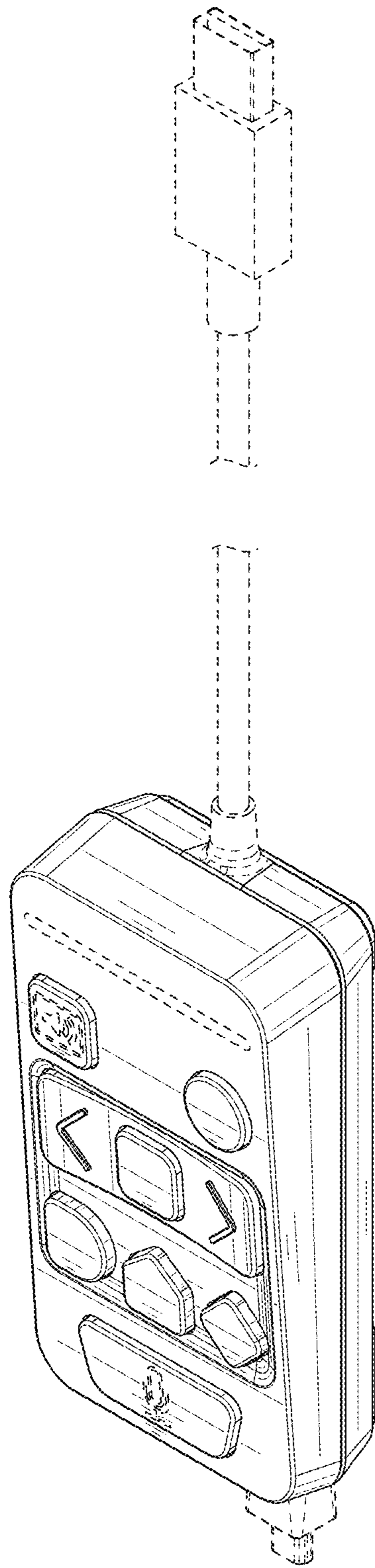


FIG. 1

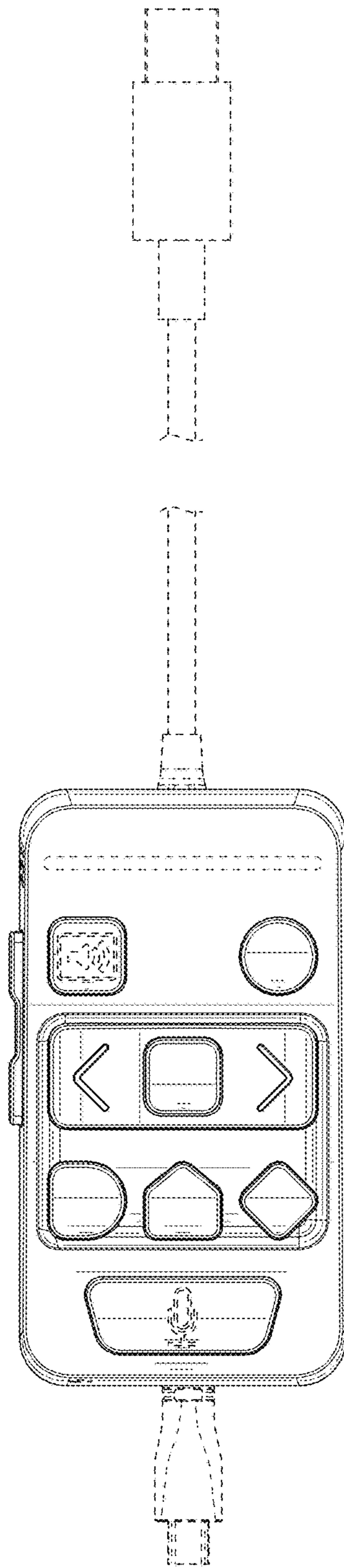


FIG. 2

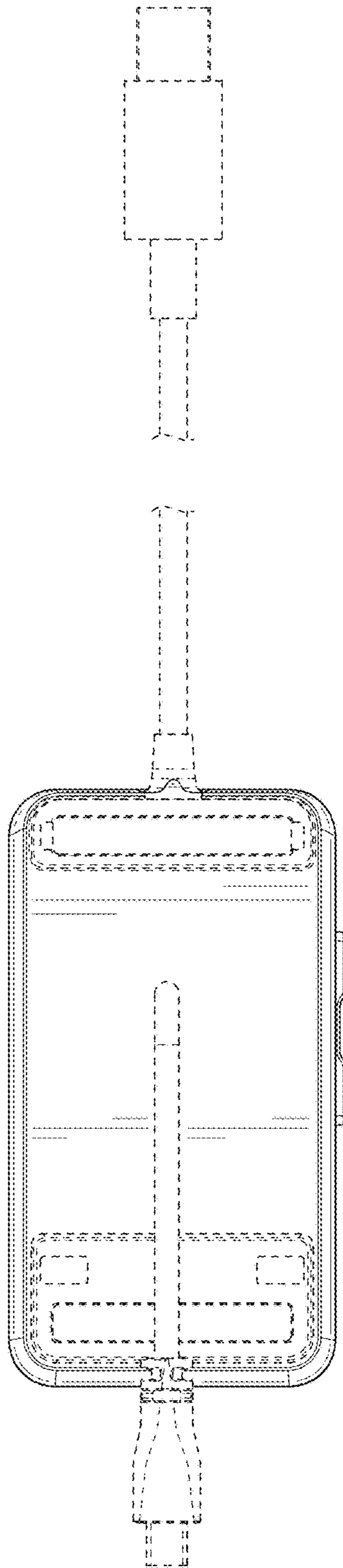


FIG. 3

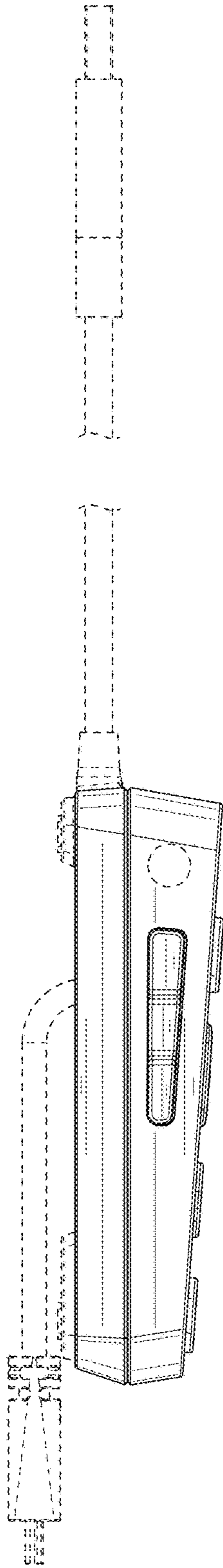


FIG. 4

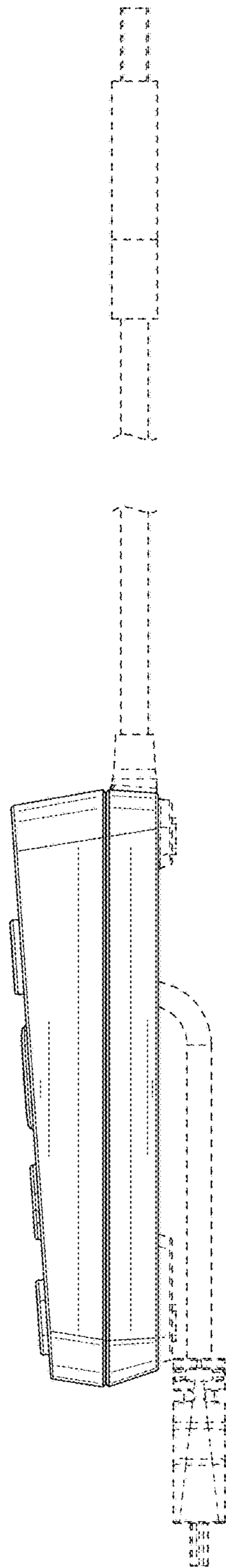


FIG. 5

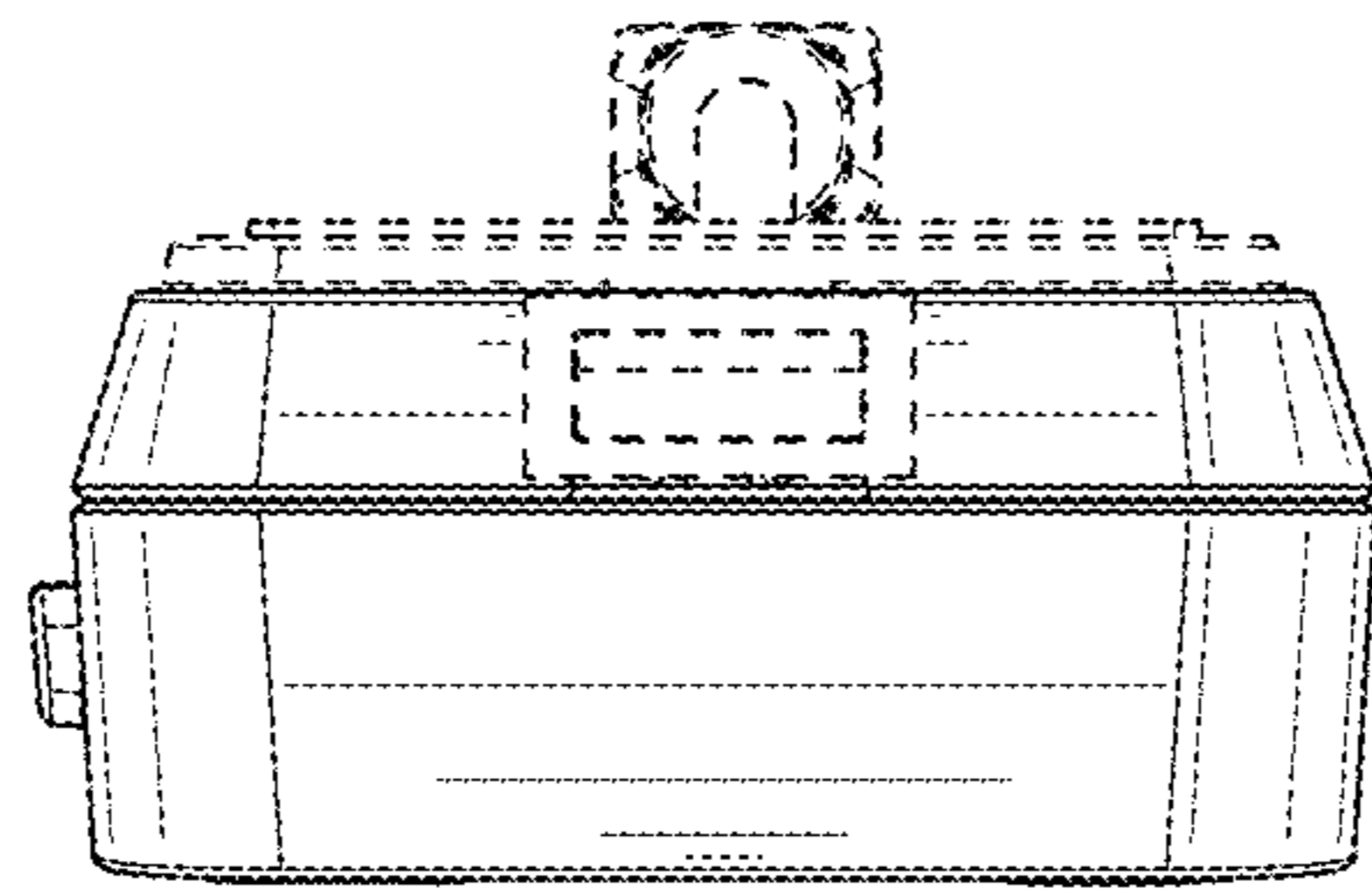


FIG. 6

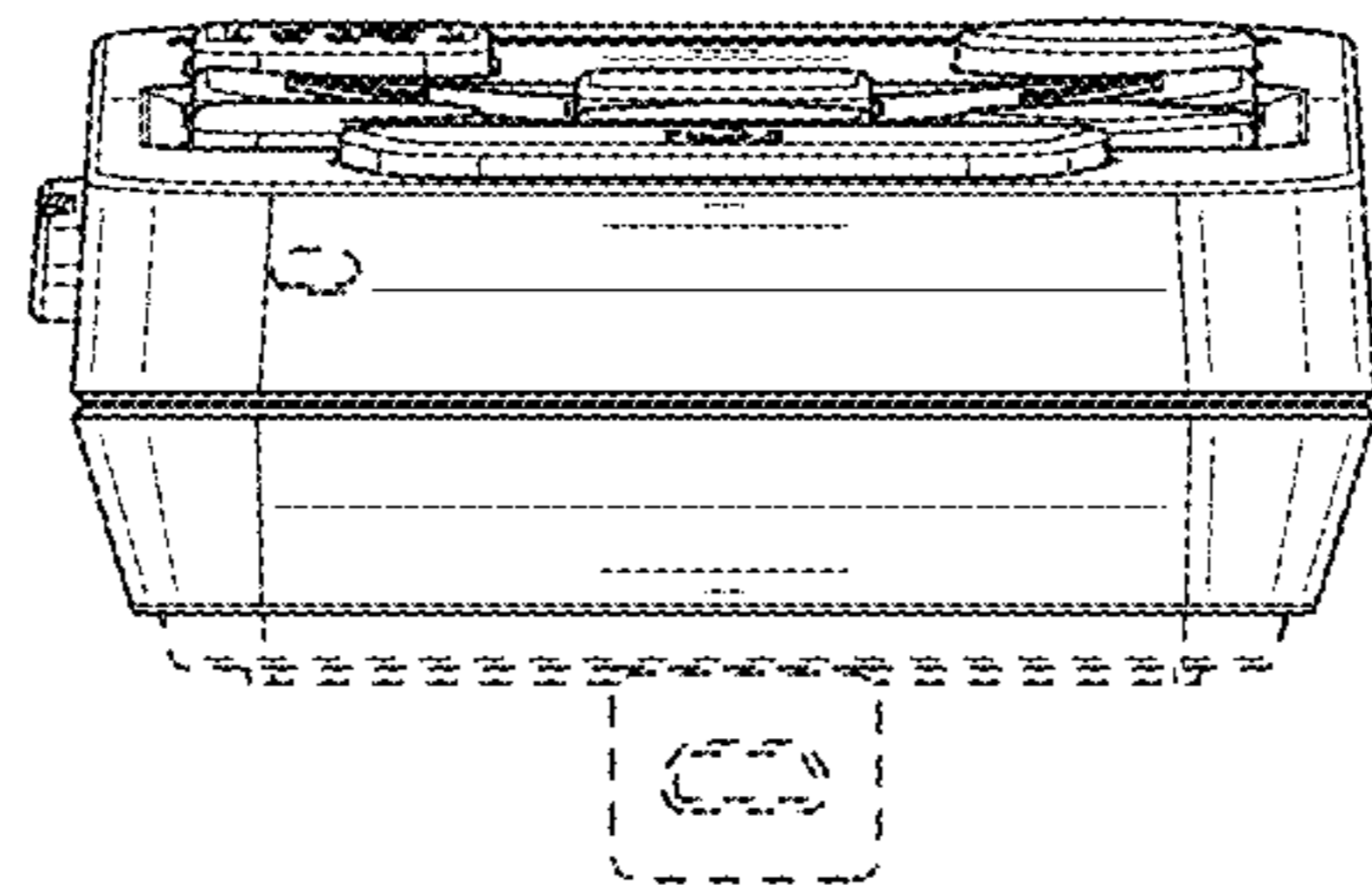


FIG. 7

UNITED STATES PATENT AND TRADEMARK OFFICE
CERTIFICATE OF CORRECTION

PATENT NO. : D857,665 S
APPLICATION NO. : 29/646142
DATED : August 27, 2019
INVENTOR(S) : Eric Young et al.

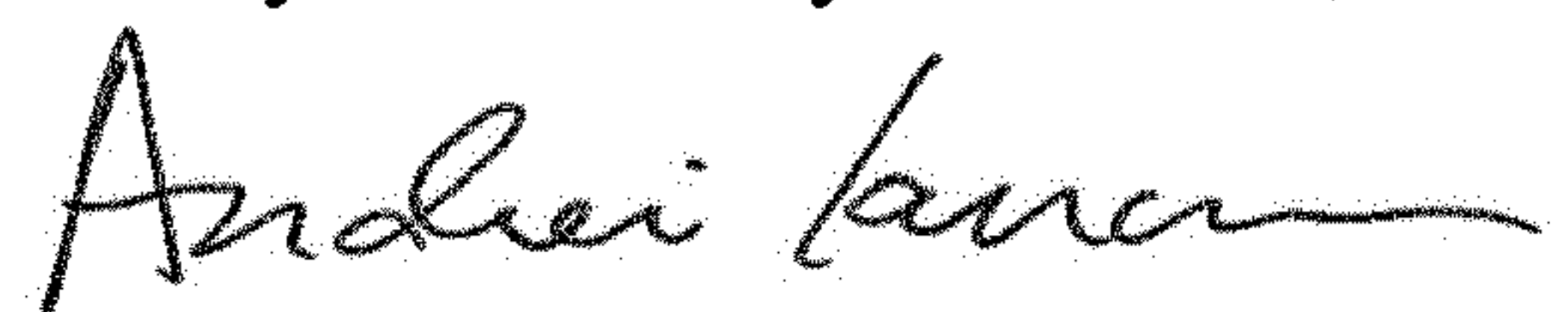
Page 1 of 1

It is certified that error appears in the above-identified patent and that said Letters Patent is hereby corrected as shown below:

On the Title Page

In Column 2, item (57), Description, Line 13, delete "purpose" and insert -- purposes --, therefor.

Signed and Sealed this
Twenty-fourth Day of March, 2020



Andrei Iancu
Director of the United States Patent and Trademark Office