



US00D857664S

(12) **United States Design Patent**
Peralta et al.

(10) **Patent No.:** **US D857,664 S**
(45) **Date of Patent:** **** Aug. 27, 2019**

(54) **AUDIO CONTROL DEVICE**

FOREIGN PATENT DOCUMENTS

(71) Applicant: **Kingston Digital, Inc.**, Fountain Valley, CA (US)

GB 6018564 * 9/2017

(72) Inventors: **Sean Peralta**, Fountain Valley, CA (US); **Baron King Lee**, Fountain Valley, CA (US); **Lung Yuan Chen**, Hsinchu (TW); **Yaocheng He**, Hsinchu (TW)

OTHER PUBLICATIONS

HyperX Amp USB Sound Card—Virtual 7.1 Surround Sound, Newegg website 2019, <https://www.newegg.com/Product/Product.aspx?Item=9SIAG7R8UF9839>, site visited Mar. 6, 2019.*

(Continued)

(73) Assignee: **Kingston Digital, Inc.**, Fountain Valley, CA (US)

Primary Examiner — John Windmuller

Assistant Examiner — John R Yeh

(**) Term: **15 Years**

(74) *Attorney, Agent, or Firm* — Skaar Ulbrich Macari, P.A.

(21) Appl. No.: **29/644,884**

(22) Filed: **Apr. 20, 2018**

(57) **CLAIM**

(51) **LOC (12) Cl.** **14-03**

We claim an ornamental design for an audio control device, as shown and described.

(52) **U.S. Cl.**

USPC **D14/218**

(58) **Field of Classification Search**

USPC D14/218; D13/168

CPC G09G 5/00; G06F 3/033

See application file for complete search history.

DESCRIPTION

(56) **References Cited**

U.S. PATENT DOCUMENTS

D325,582 S	*	4/1992	Emmons	D14/218
D331,060 S	*	11/1992	Emmons	D14/218
D496,031 S	*	9/2004	Ma	D10/104.1
D496,634 S	*	9/2004	Tseng	D13/168
D496,638 S	*	9/2004	Deubler, Jr.	D10/104.1
D523,001 S	*	6/2006	Hussaini	D14/218
D524,297 S	*	7/2006	Lee	D14/218
D532,778 S	*	11/2006	Hussaini	D14/218
D533,542 S	*	12/2006	Suzuki	D14/218
D548,728 S	*	8/2007	Yoshiyama	D14/218
D554,630 S	*	11/2007	Ma	D14/240
D606,980 S	*	12/2009	Bradford	D14/218
D622,710 S	*	8/2010	Goransson	D14/218
D664,123 S	*	7/2012	Nguyen	D14/218

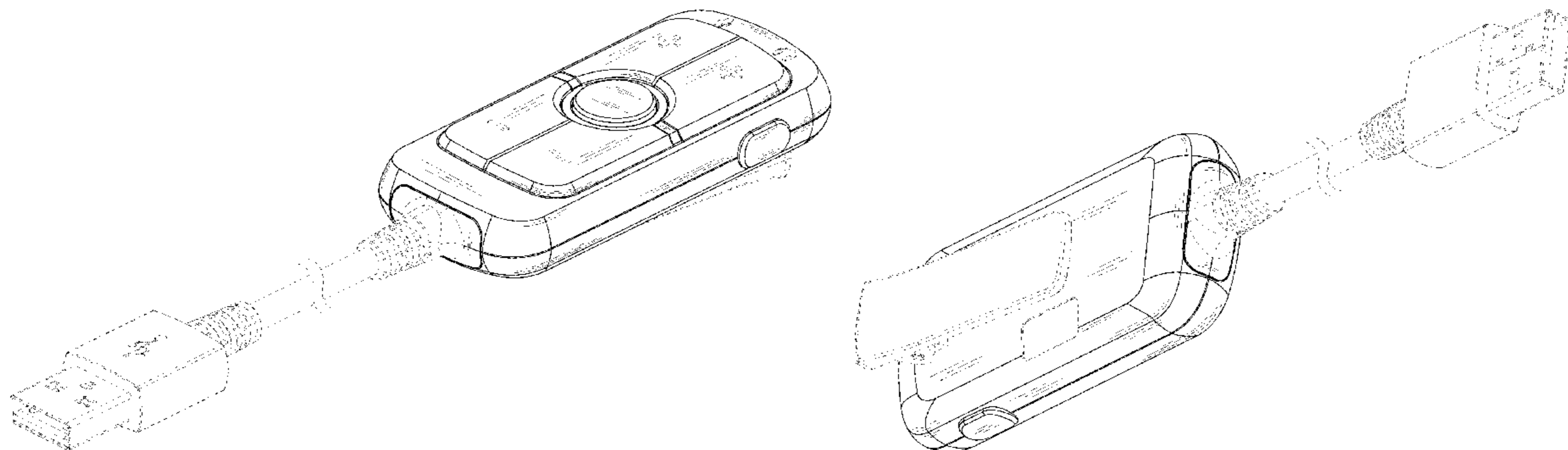
(Continued)

FIG. 1 is a first perspective view of an audio control device showing the claimed design;
FIG. 2 is a second perspective view of FIG. 1;
FIG. 3 is a third perspective view of FIG. 1;
FIG. 4 is a front elevational view of FIG. 1;
FIG. 5 is a rear elevational view of FIG. 1;
FIG. 6 is a left side elevational view of FIG. 1;
FIG. 7 is a right side elevational view of FIG. 1;
FIG. 8 is a top plan view of FIG. 1;
FIG. 9 is a bottom plan view of FIG. 1; and,
FIG. 10 is an enlarged view as indicated in FIG. 2.

The dashed broken lines in the figures represent portions of the article which form no part of the claimed design.

The dot-dash broken lines in the figures represent the boundary of an enlarged area which form no part of the claimed design.

1 Claim, 8 Drawing Sheets



(56)

References Cited

U.S. PATENT DOCUMENTS

D726,831 S * 4/2015 Lee D13/168
D731,469 S * 6/2015 Turksu D14/218
D747,293 S * 1/2016 Mistry D13/168
D749,061 S * 2/2016 Lee D14/218
D777,141 S * 1/2017 Lee D14/218
D788,077 S * 5/2017 Ducret D14/218
D811,371 S * 2/2018 Meyer D14/218
D822,642 S * 7/2018 Knie D14/218
D822,643 S * 7/2018 Chen D14/218
2011/0266122 A1* 11/2011 Zaharchuk H01H 9/18
200/308
2014/0254848 A1* 9/2014 Petterson H04R 1/1041
381/334

OTHER PUBLICATIONS

HyperX Cloud Virtual 7.1 Surround Sound USB Sound Card—
Newegg reviews 2018, https://www.newegg.com/...019&gclid=CjwKCAiA_P3jBRAqEiwAZyWWaLEqDorN_cRwj2VvIWH9wgC3LaSIUwfSXj19cQLEPkMVkRCj-nifWBoCkBMQAvD_BwE&gclidsrc=aw.ds, site visited Mar. 6, 2019.*

* cited by examiner

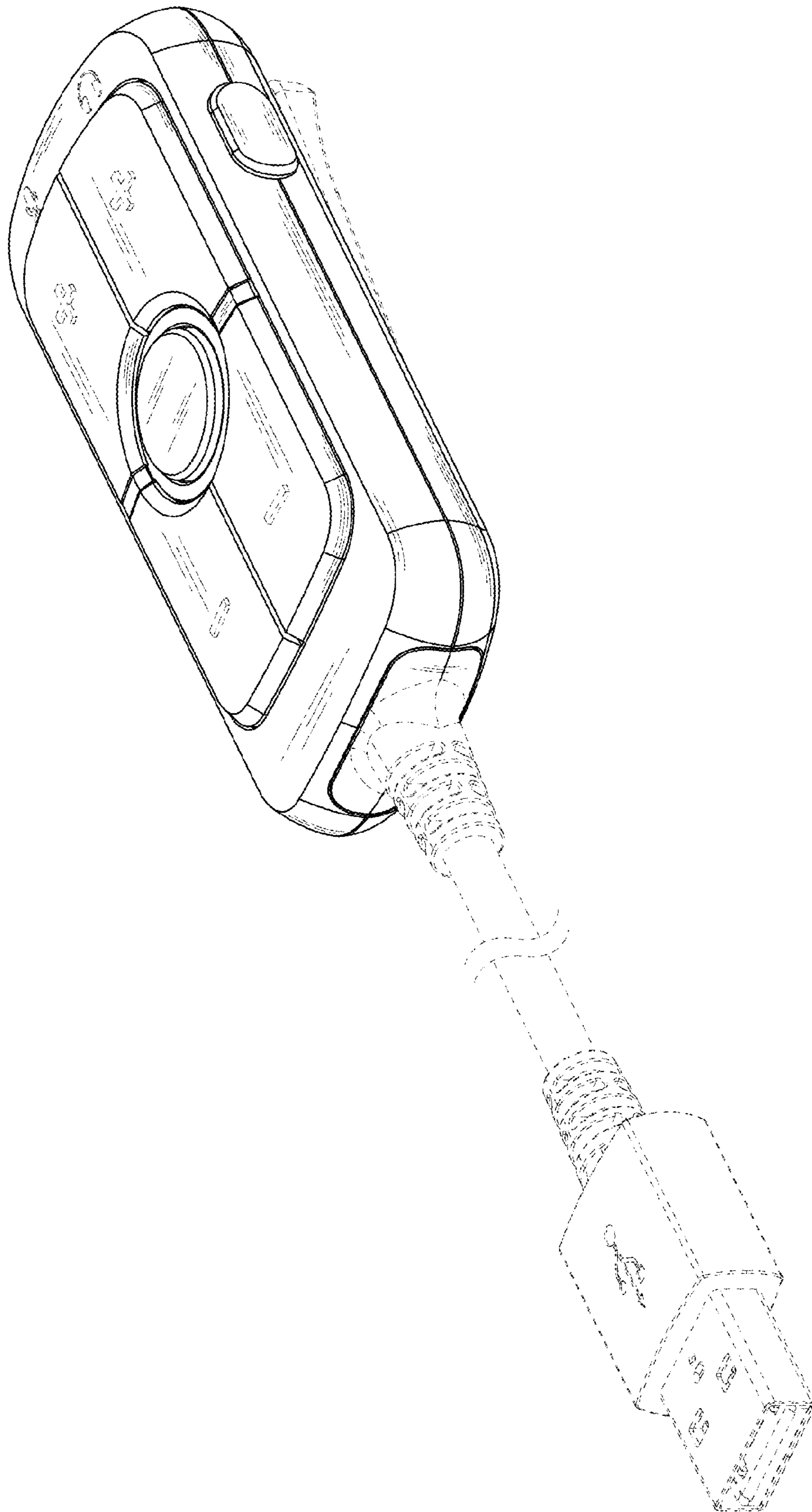


FIG. 1

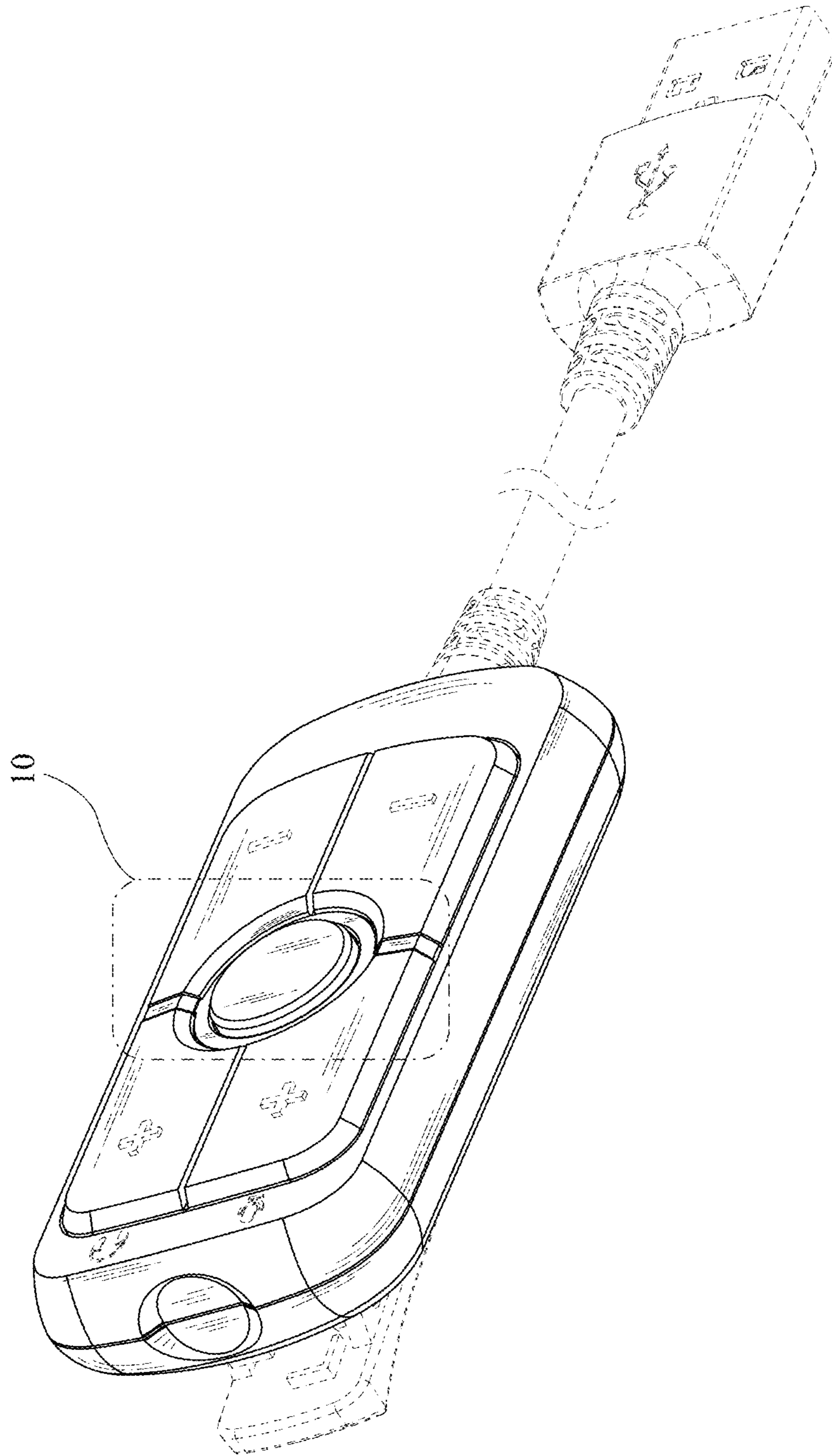


FIG. 2

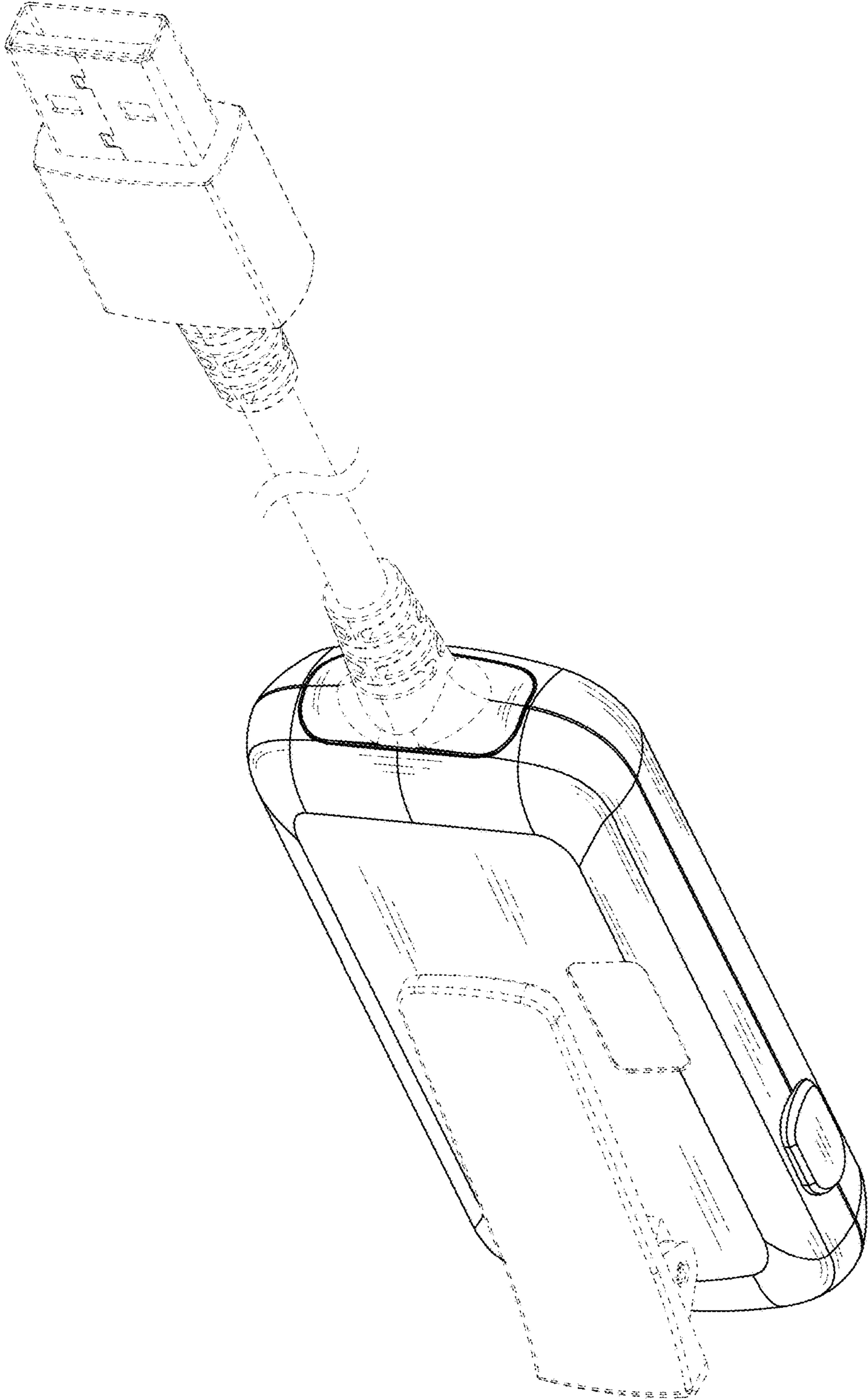


FIG. 3

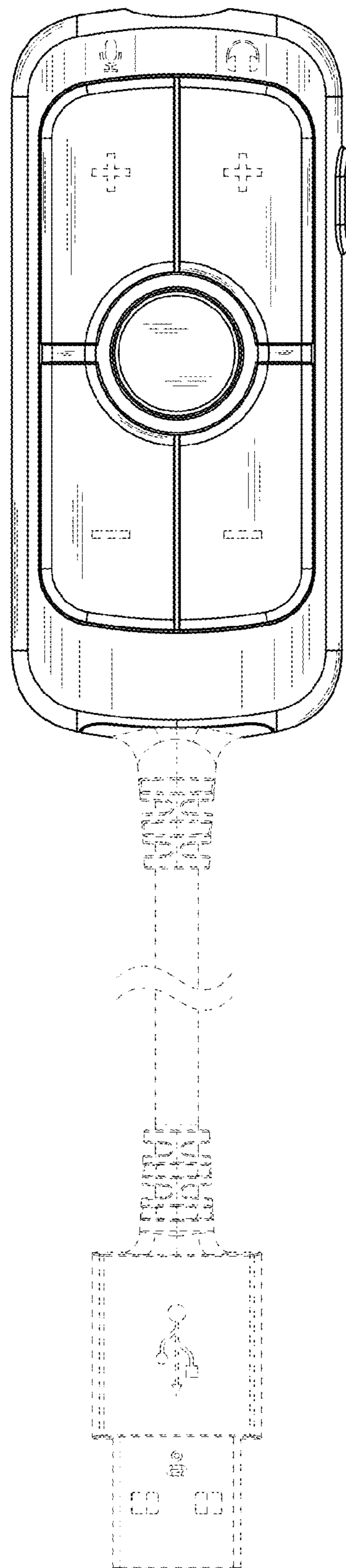


FIG. 4

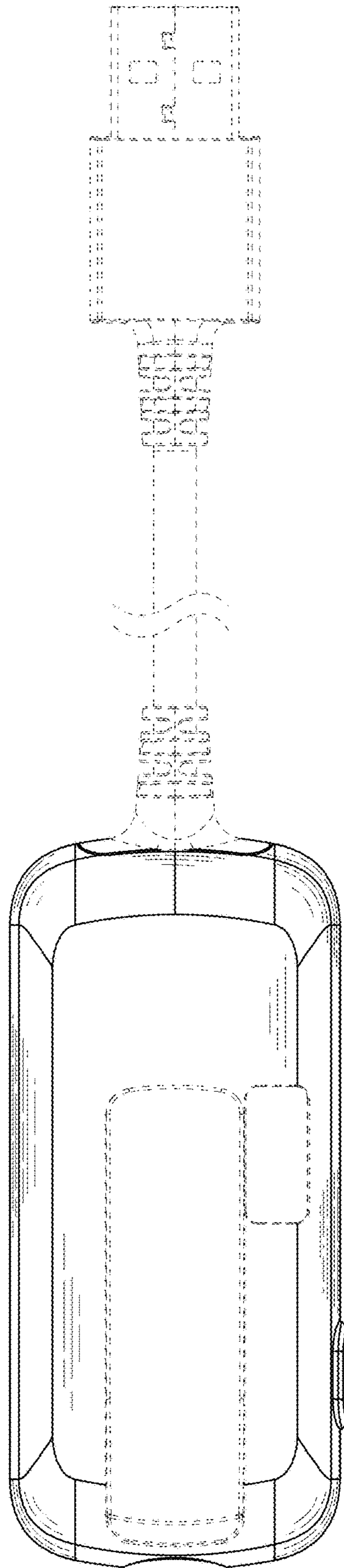


FIG. 5

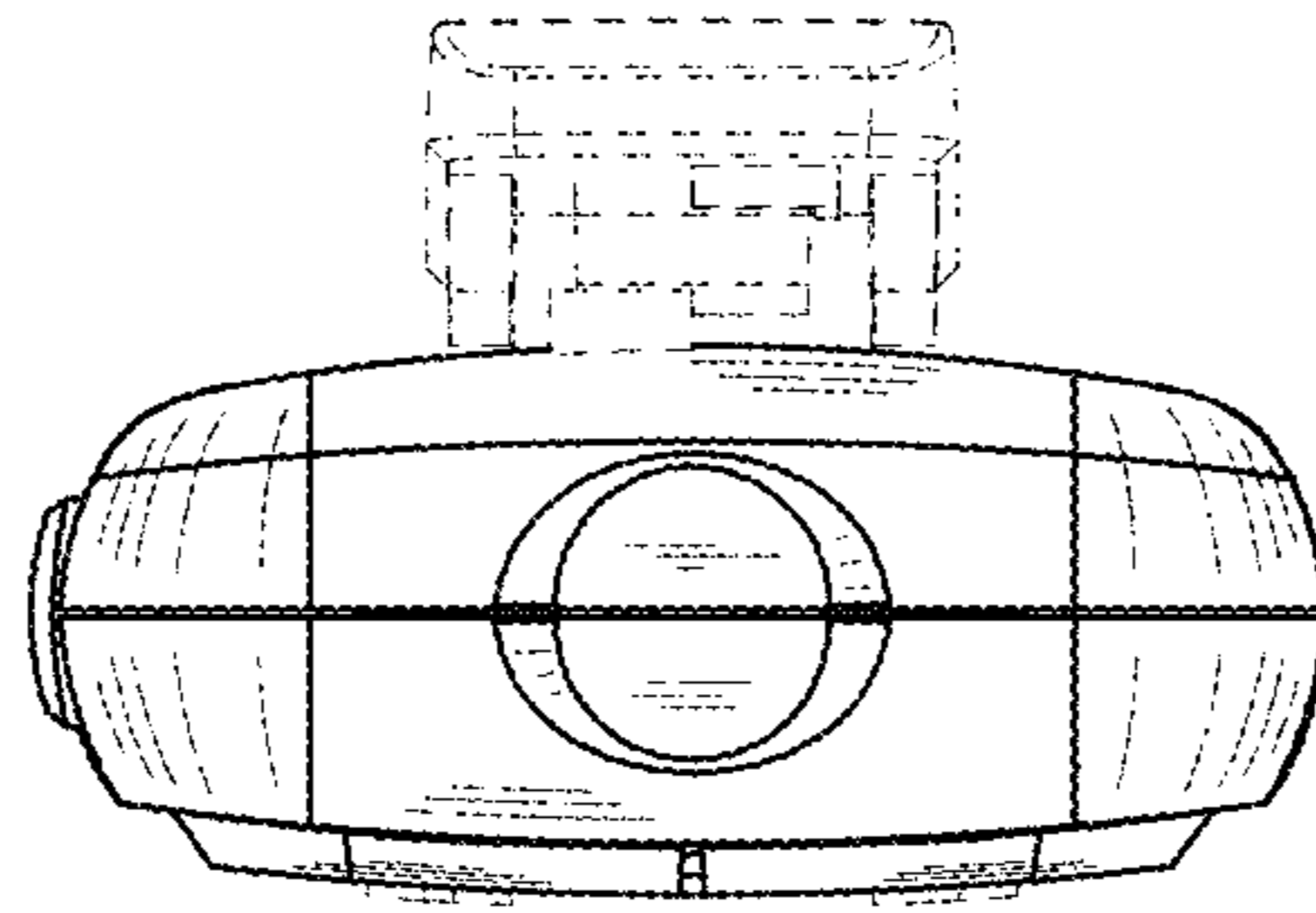


FIG. 7

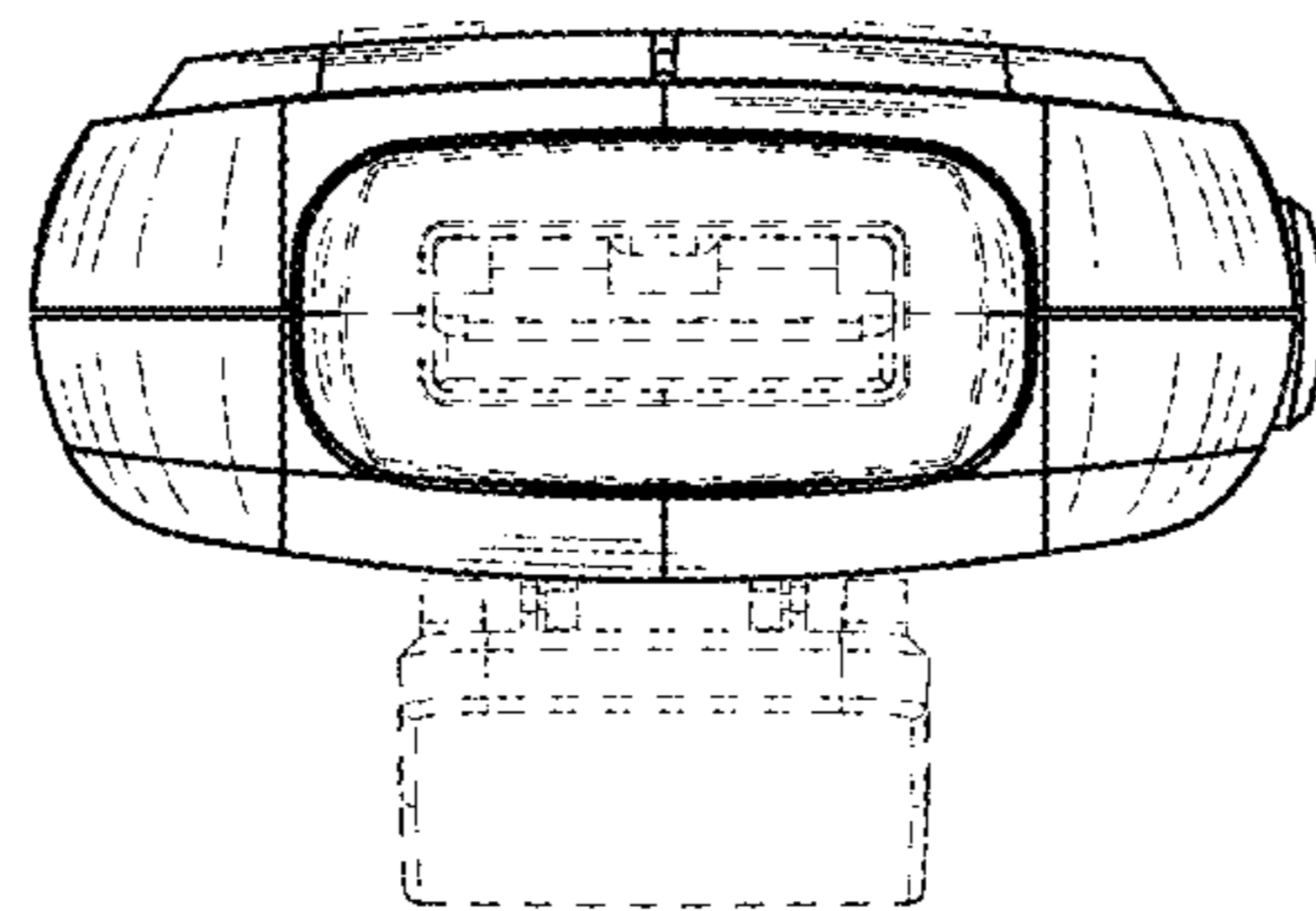


FIG. 6

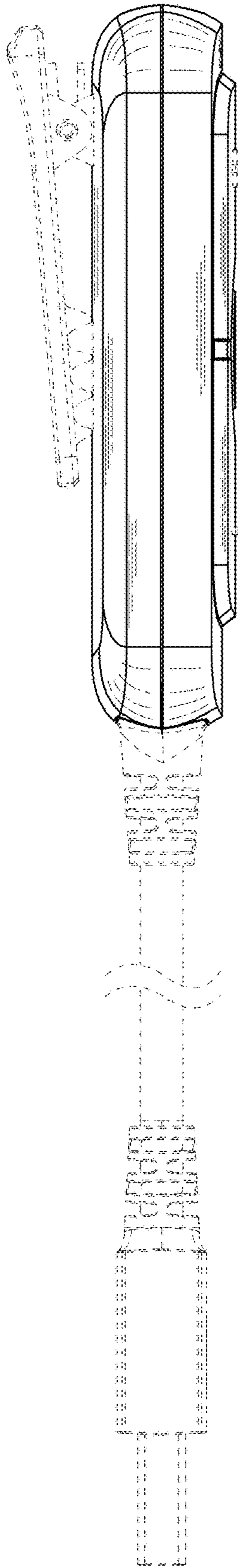


FIG. 8

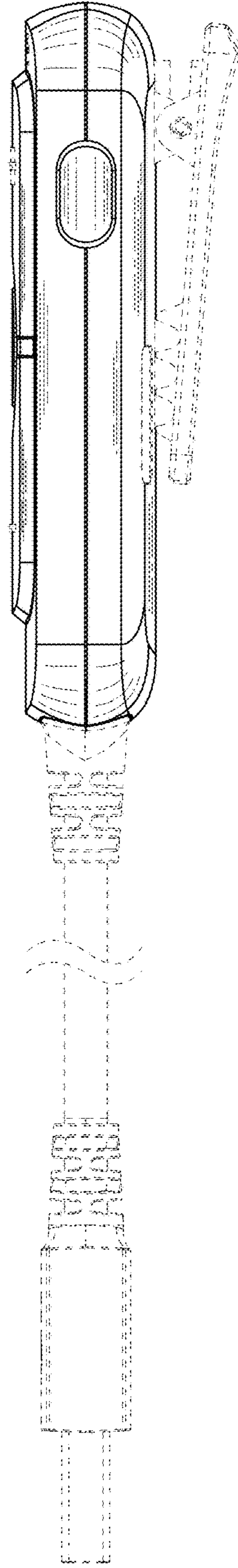


FIG. 9

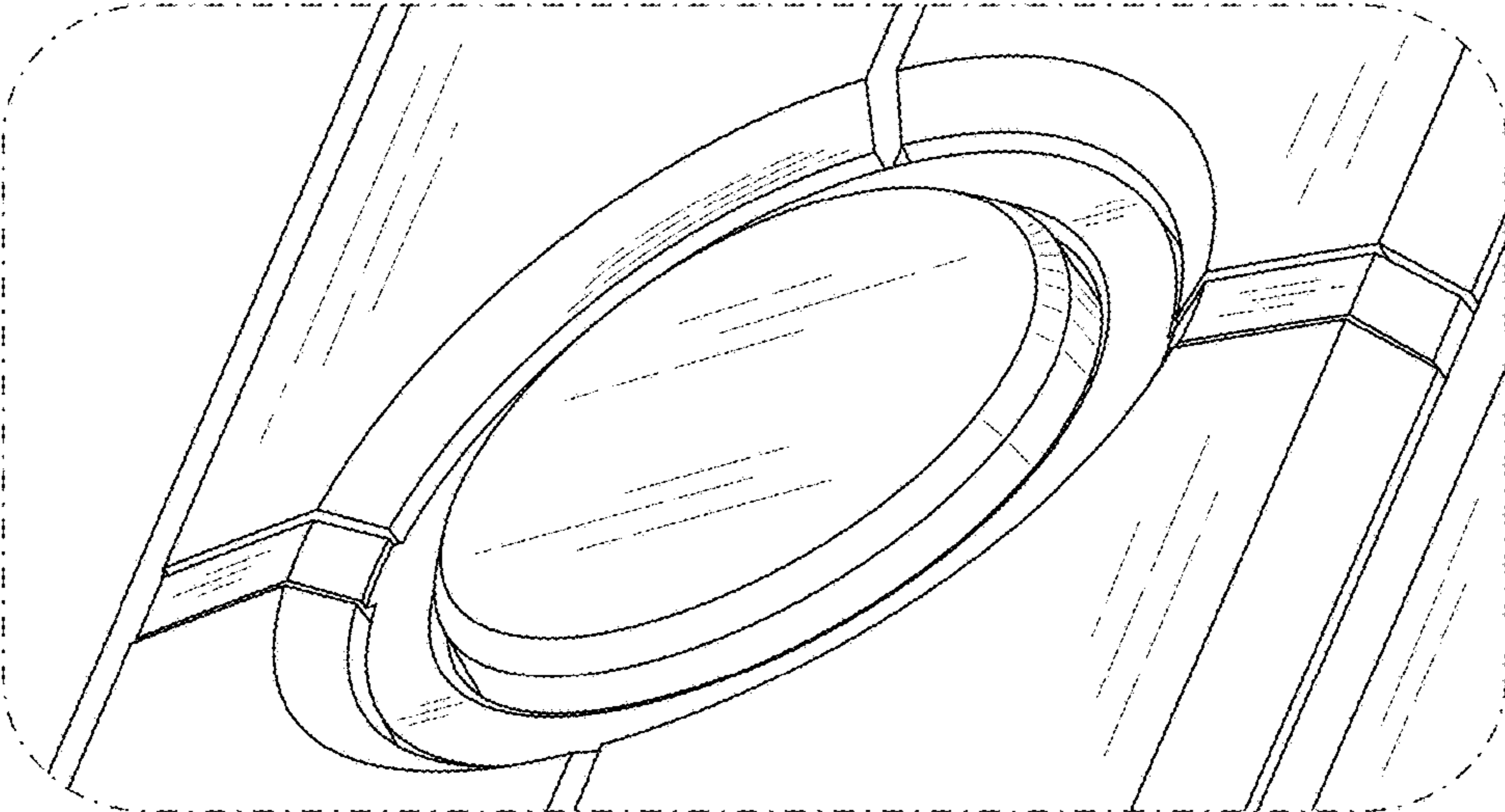


FIG. 10