



US00D857663S

(12) **United States Design Patent** (10) **Patent No.:** **US D857,663 S**
Knie (45) **Date of Patent:** **** Aug. 27, 2019**

- (54) **WIRELESS REMOTE CONTROL**
- (71) Applicant: **Jungheinrich Aktiengesellschaft,**
Hamburg (DE)
- (72) Inventor: **Andreas Knie,** Hamburg (DE)
- (73) Assignee: **Jungheinrich Aktiengesellschaft,**
Hamburg (DE)
- (**) Term: **15 Years**
- (21) Appl. No.: **29/643,828**
- (22) Filed: **Apr. 12, 2018**

D528,511 S *	9/2006	Li	D13/168
D576,959 S *	9/2008	Aldape	D13/168
D576,960 S *	9/2008	Aldape	D13/168
D578,079 S *	10/2008	Huang	D13/168
D580,915 S *	11/2008	Tsao	D13/168
D619,546 S *	7/2010	Chiu	D13/168
D667,382 S *	9/2012	Cosentino	D13/168
D671,505 S *	11/2012	Clark	D13/168
D672,727 S *	12/2012	McCullar	D13/168
D763,829 S *	8/2016	Moriwaki	D14/218
D778,264 S *	2/2017	Stapelbroek	D14/218
D778,877 S *	2/2017	Lin	D14/218
D811,371 S *	2/2018	Meyer	D14/218
D821,983 S *	7/2018	Shah	D13/168
D822,642 S *	7/2018	Knie	D14/218

Related U.S. Application Data

- (62) Division of application No. 29/566,020, filed on May 26, 2016, now Pat. No. Des. 822,642.

Foreign Application Priority Data

- Nov. 30, 2015 (EP) 002883355

(51) **LOC (12) Cl.** **14-03**

(52) **U.S. Cl.**
USPC **D14/218**

(58) **Field of Classification Search**
USPC D14/218; D13/168
CPC G09G 5/00; G06F 3/033
See application file for complete search history.

(56) **References Cited**

U.S. PATENT DOCUMENTS

D375,696 S *	11/1996	Seki	D10/104.1
D376,114 S *	12/1996	Seki	D10/104.1
D395,312 S *	6/1998	Parsadayan	D14/218
D415,735 S *	10/1999	Zuege	D13/168
D496,639 S *	9/2004	Deubler, Jr.	D10/104.1
D506,260 S *	6/2005	Ryan	D14/218

FOREIGN PATENT DOCUMENTS

CN 302882067 * 7/2014

* cited by examiner

Primary Examiner — John Windmuller

Assistant Examiner — John R Yeh

(74) *Attorney, Agent, or Firm* — Barclay Damon LLP

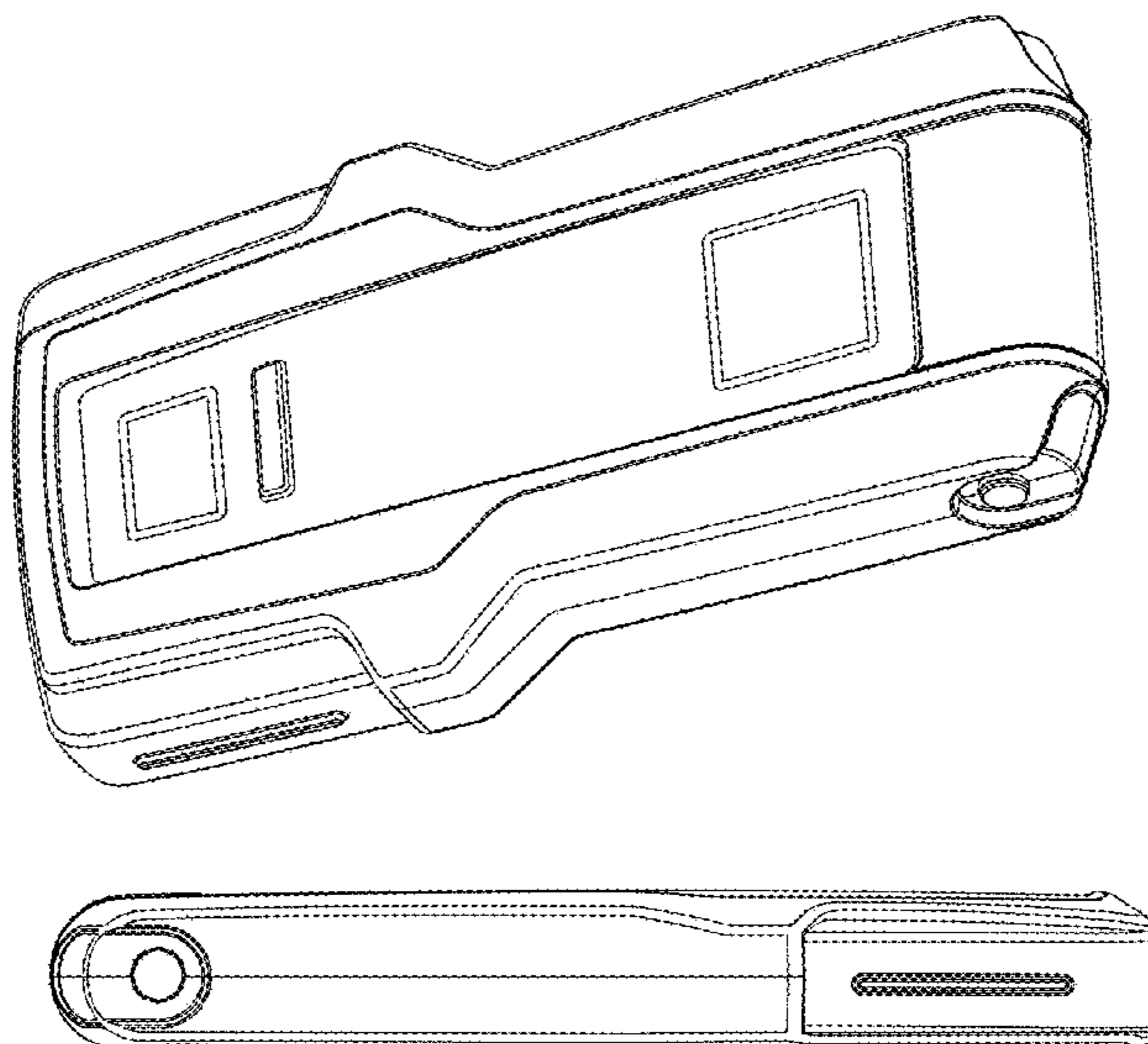
(57) **CLAIM**

The ornamental design for a wireless remote control, as shown and described.

DESCRIPTION

FIG. 1 is a top right perspective view of a wireless remote control;
 FIG. 2 is a top rear perspective view thereof;
 FIG. 3 is a top plan view thereof;
 FIG. 4 is a bottom plan thereof;
 FIG. 5 is a left side elevational view thereof, the right side elevational view being a mirror image;
 FIG. 6 is a front elevational view thereof; and,
 FIG. 7 is a back elevational thereof.

1 Claim, 7 Drawing Sheets



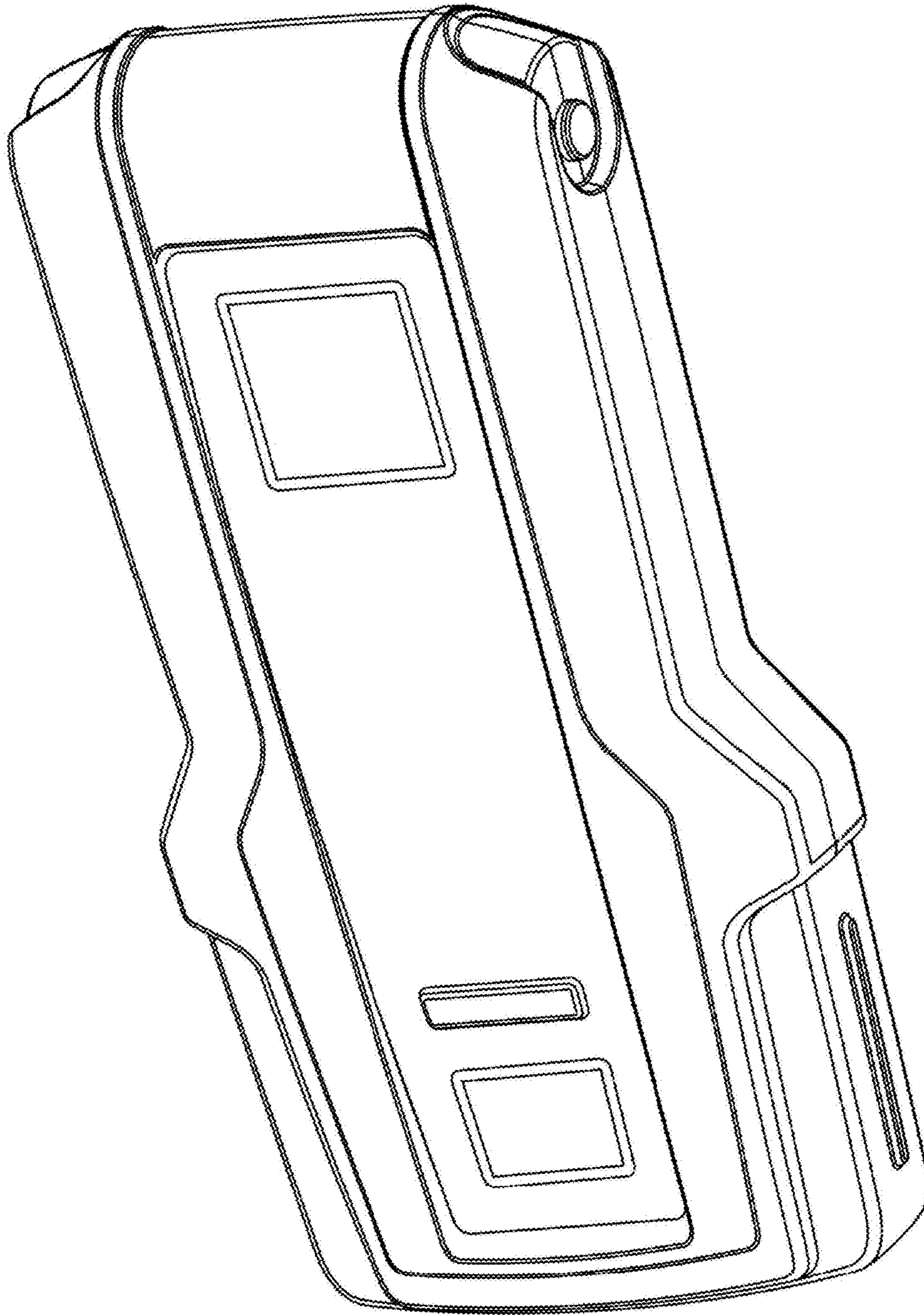


Fig. 1

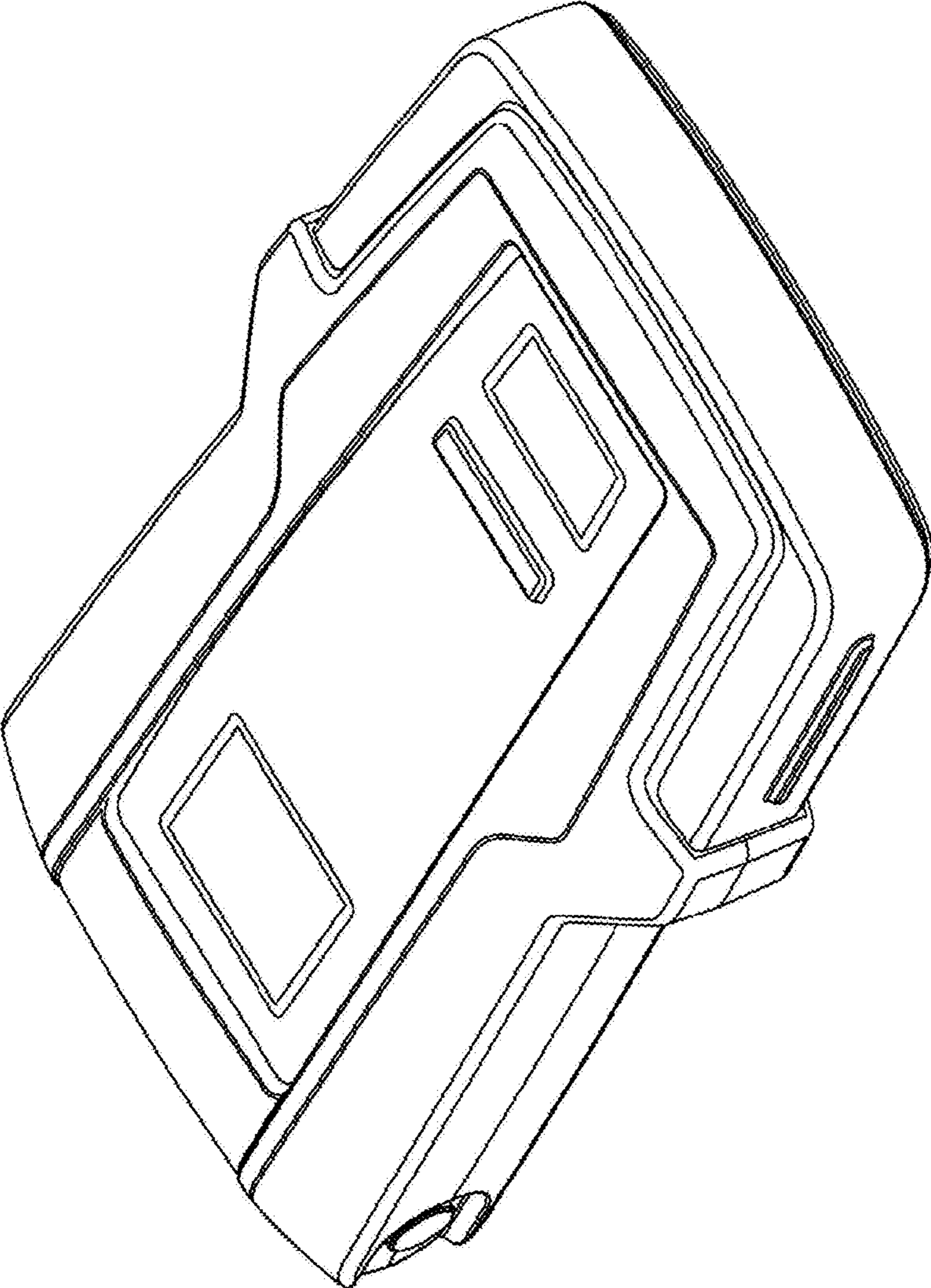


Fig. 2

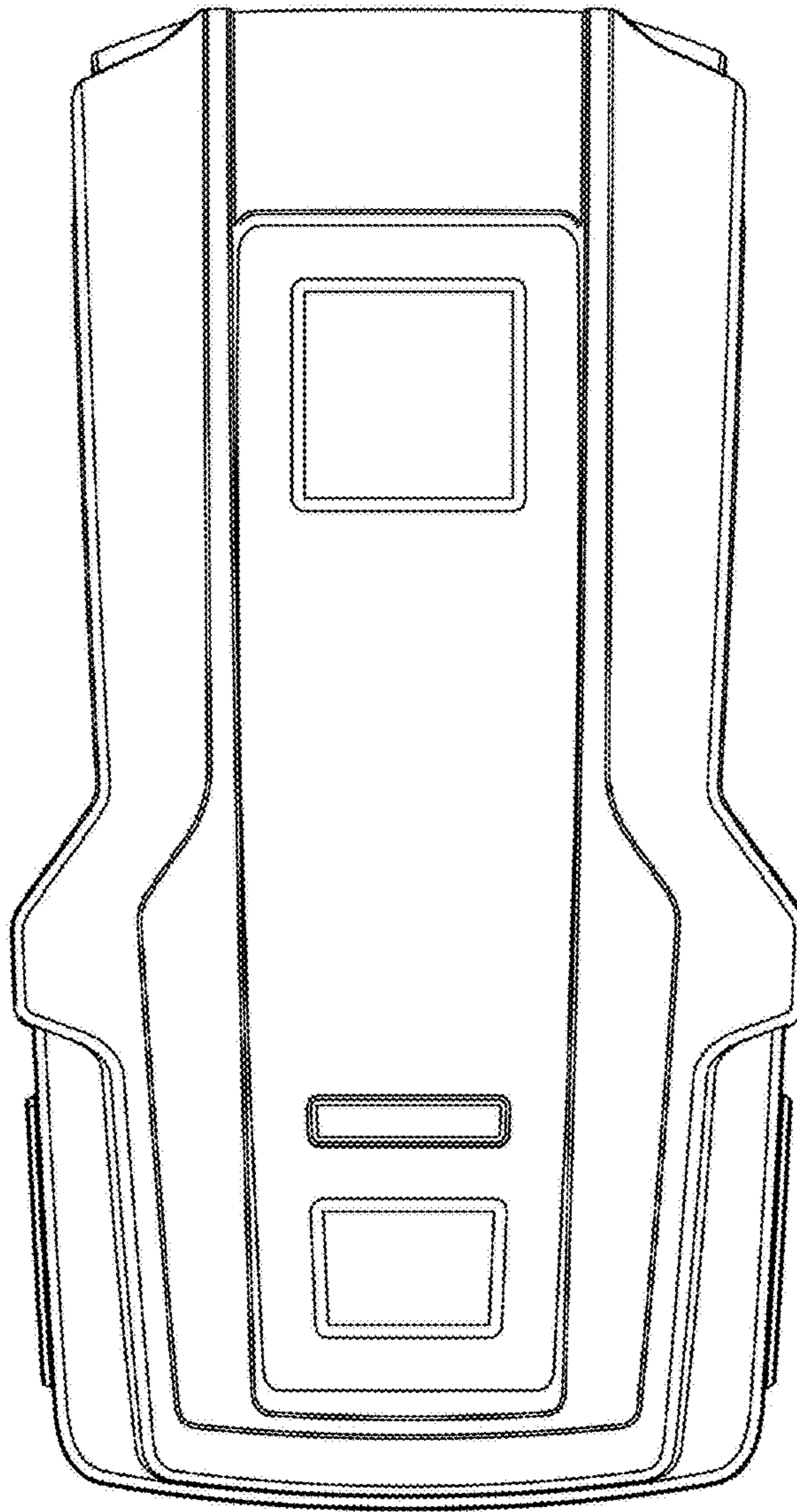


Fig. 3

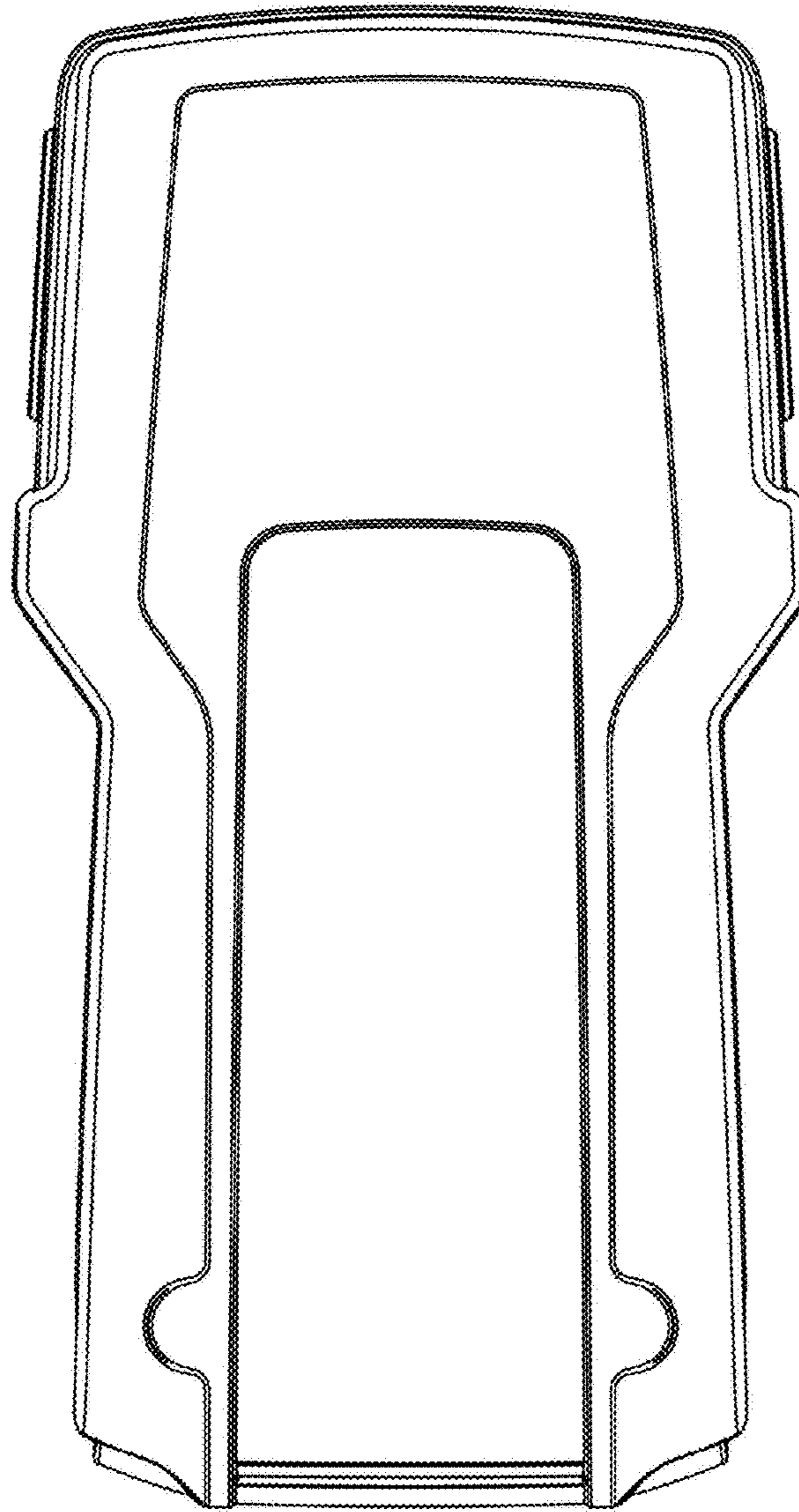


Fig. 4

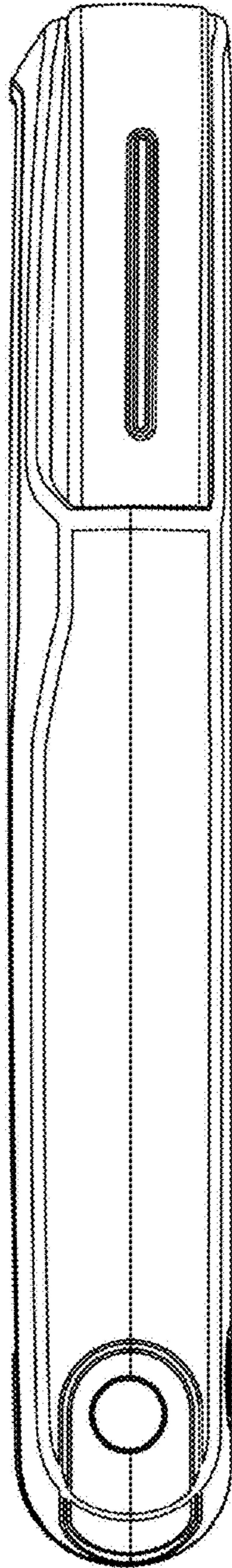


Fig. 5

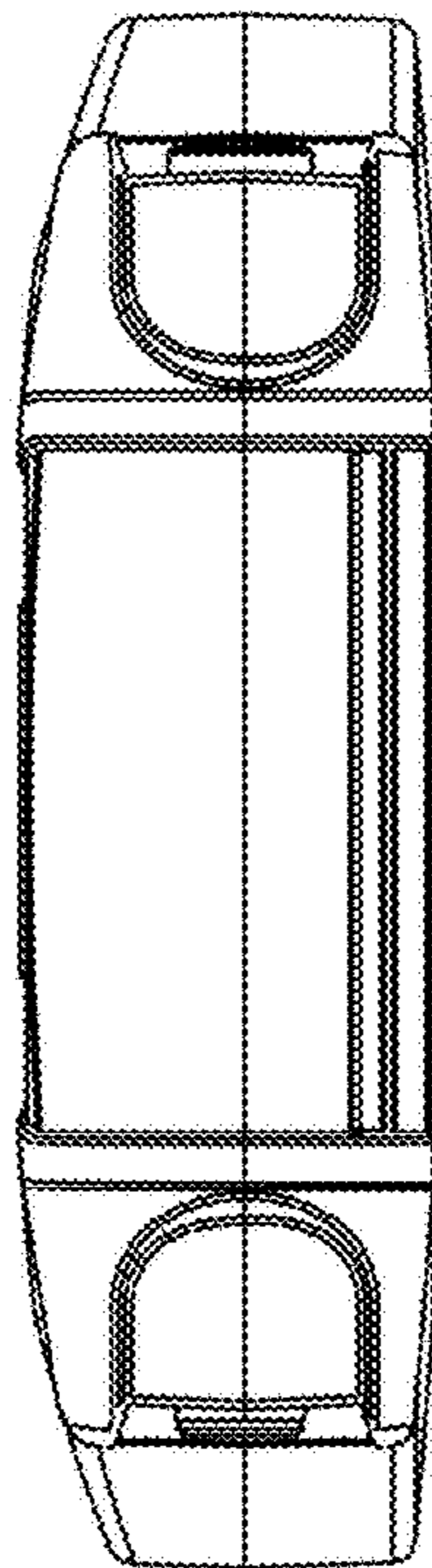


Fig. 6

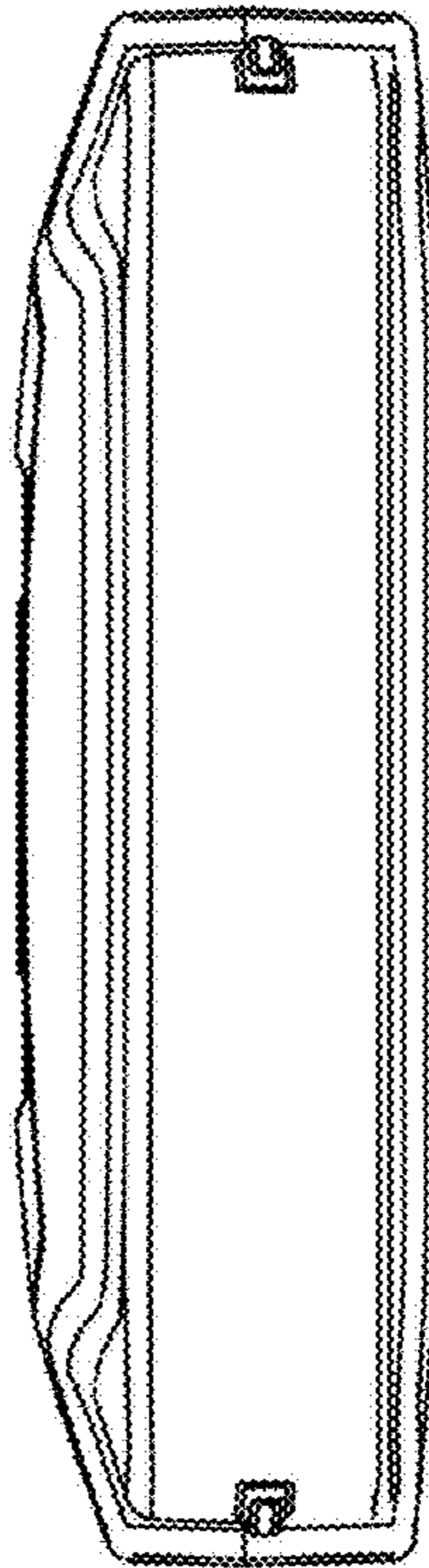


Fig. 7