

US00D857659S

(12) **United States Design Patent**
Guack et al.

(10) **Patent No.:** **US D857,659 S**

(45) **Date of Patent:** **** Aug. 27, 2019**

(54) **SPEAKER**

(71) Applicant: **Logitech Europe S.A.**, Lausanne (CH)

(72) Inventors: **Yongook Guack**, Hsinchu (TW); **Bengt Gunnar Brümmer**, Lausanne (CH); **William M. Carey**, San Francisco, CA (US)

(73) Assignee: **Logitech Europe S.A.**, Lausanne (CH)

(**) Term: **15 Years**

(21) Appl. No.: **29/616,686**

(22) Filed: **Sep. 7, 2017**

(51) **LOC (12) Cl.** **14-01**

(52) **U.S. Cl.**
USPC **D14/216**

(58) **Field of Classification Search**

USPC D14/167, 168, 170–172, 188, 194–196, D14/204, 209.1, 210–216, 219, 221, 222, D14/224, 239, 496, 144; D26/51, 52, 54
CPC B60R 11/0217; G06F 1/1688; G10K 9/22; G10K 11/004; H03F 1/327; H04M 1/03; H04M 1/035; H04N 5/642; H04N 21/4852; H04R 1/02; H04R 1/06; H04R 1/021; H04R 1/025; H04R 1/026; H04R 1/028; H04R 1/105; H04R 1/323; H04R 1/403; H04R 1/2803; H04R 1/2834; H04R 5/02; H04R 7/20; H04R 9/06; H04R 9/025; H04R 2201/021; H04R 2400/00; H04R 2400/07; H04R 2499/11; H04R 2499/13; H04R 2499/15; H04S 3/00; H04S 7/30; F21V 7/00; F21V 23/02; F21V 33/0056

See application file for complete search history.

(56) **References Cited**

U.S. PATENT DOCUMENTS

D576,636 S * 9/2008 Wong D14/168
D586,780 S * 2/2009 Skurdal D14/211

D588,022 S * 3/2009 Hocherman D10/15
D600,569 S * 9/2009 Sadler D10/15
D659,680 S * 5/2012 Kim D14/216
D712,378 S * 9/2014 Mackiewicz D14/216
D727,877 S * 4/2015 Seoc D14/209.1
D740,474 S * 10/2015 Pineau D26/37

(Continued)

Primary Examiner — Keli L Hill

(74) *Attorney, Agent, or Firm* — Kilpatrick Townsend & Stockton LLP

(57) **CLAIM**

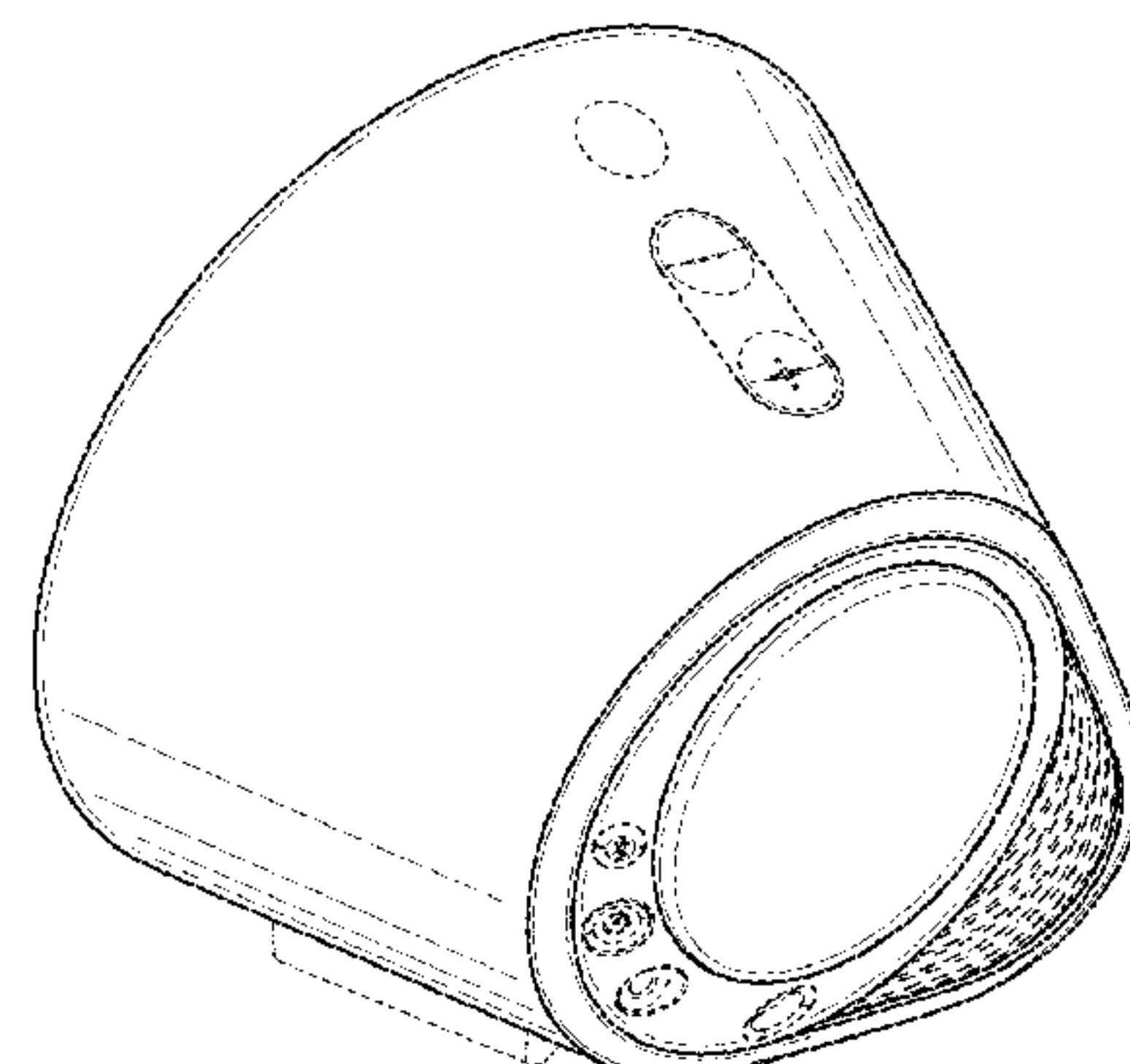
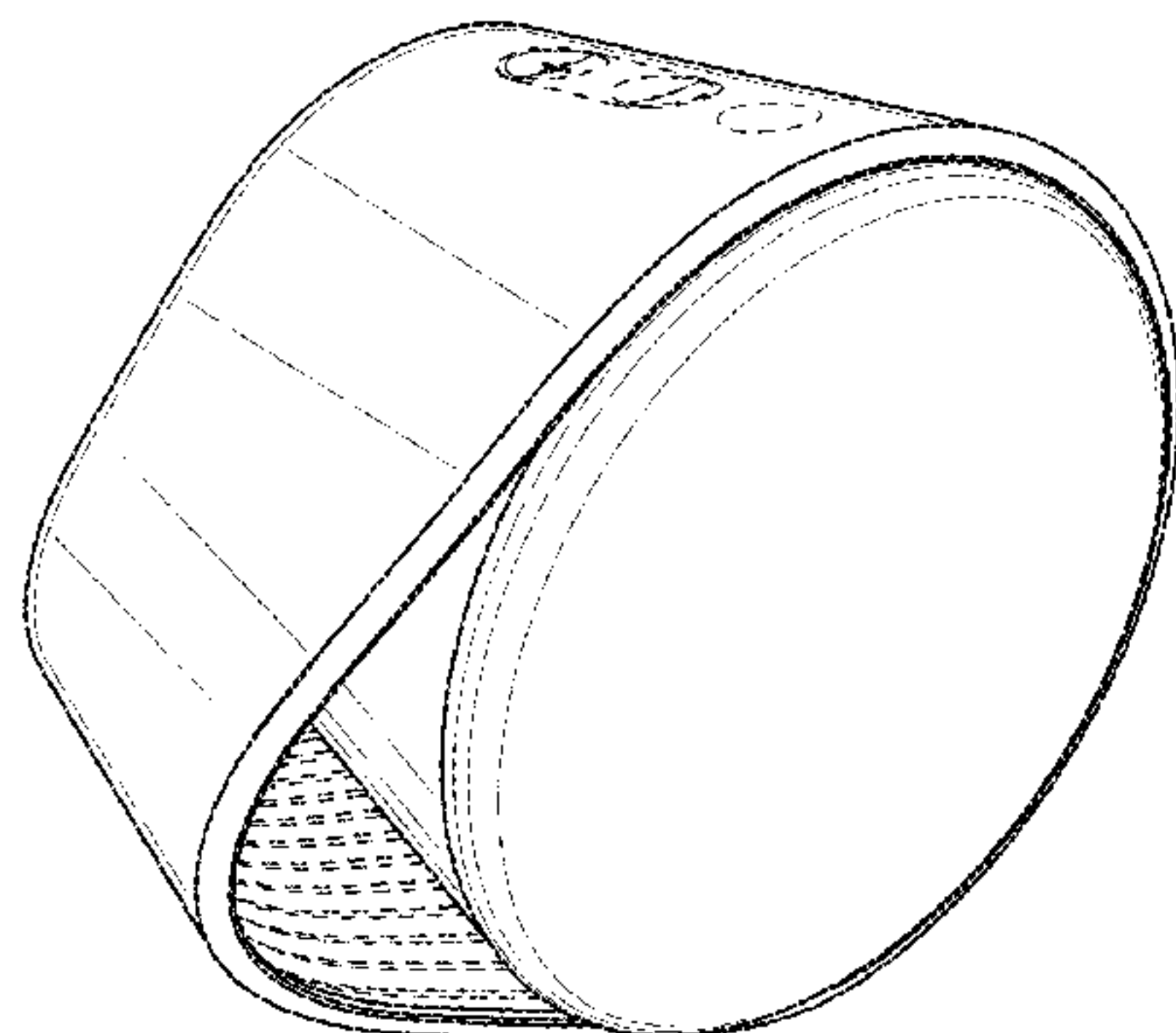
The ornamental design for the speaker, as shown and described.

DESCRIPTION

FIG. 1 is a perspective view of a first embodiment our speaker showing our new design;
FIG. 2 is a second perspective view thereof;
FIG. 3 is a third perspective view thereof;
FIG. 4 is a fourth perspective view thereof;
FIG. 5 is a front elevation view thereof;
FIG. 6 is back elevation view thereof;
FIG. 7 is a top plan view thereof;
FIG. 8 is a bottom plan view thereof;
FIG. 9 is a left side elevation view thereof; and
FIG. 10 is a right side elevation view thereof.
FIG. 11 is a perspective view of a second embodiment our speaker showing our new design;
FIG. 12 is a second perspective view thereof;
FIG. 13 is a third perspective view thereof;
FIG. 14 is a fourth perspective view thereof;
FIG. 15 is a front elevation view thereof;
FIG. 16 is back elevation view thereof;
FIG. 17 is a top plan view thereof;
FIG. 18 is a bottom plan view thereof;
FIG. 19 is a left side elevation view thereof; and,
FIG. 20 is a right side elevation view thereof.

The broken lines shown in the drawings illustrate portions of the speaker that form no part of the claimed design.

1 Claim, 10 Drawing Sheets



(56)

References Cited

U.S. PATENT DOCUMENTS

D798,840 S * 10/2017 Tse D14/216
D834,000 S * 11/2018 Paslawski D14/216

* cited by examiner

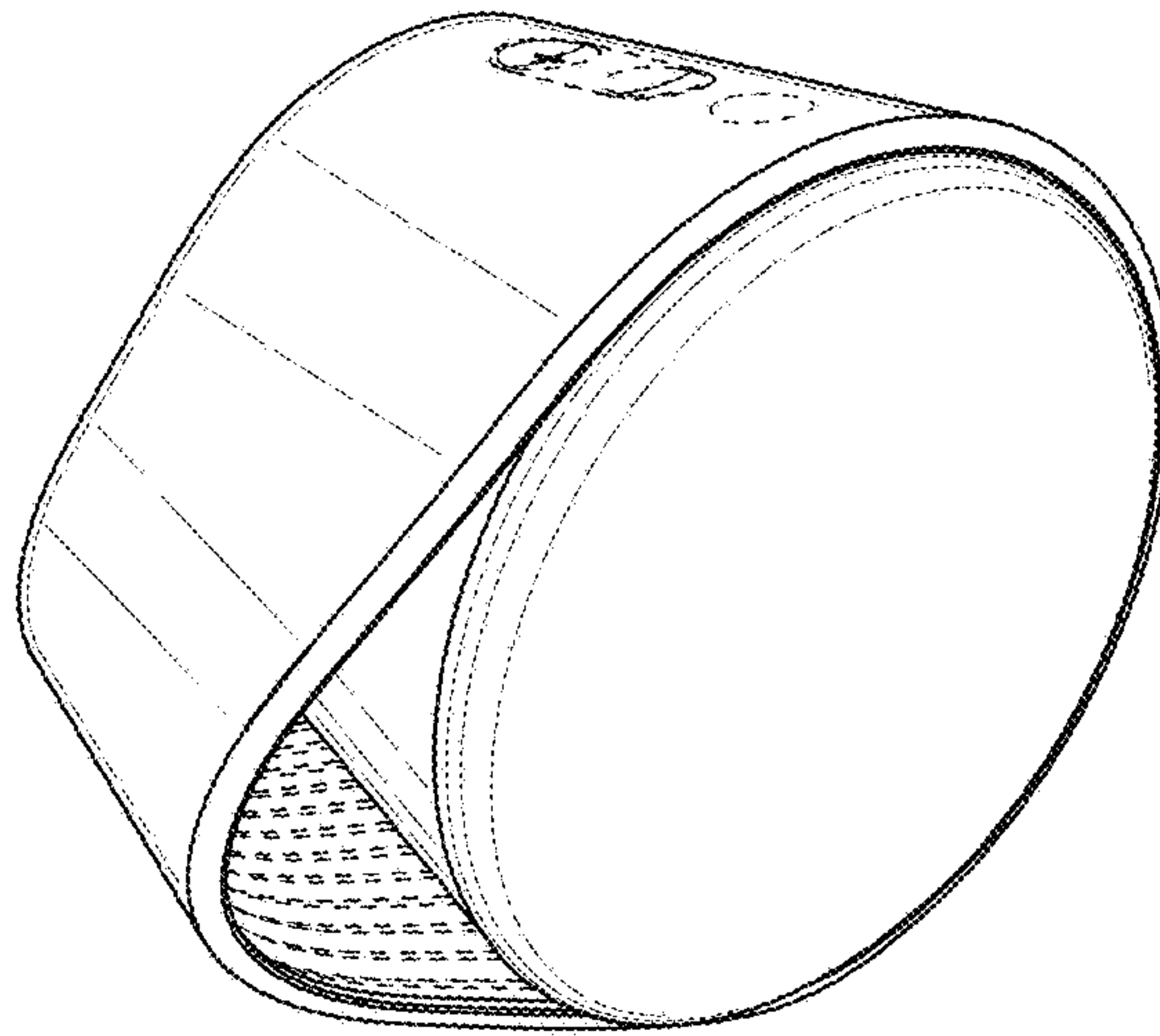


FIG. 1

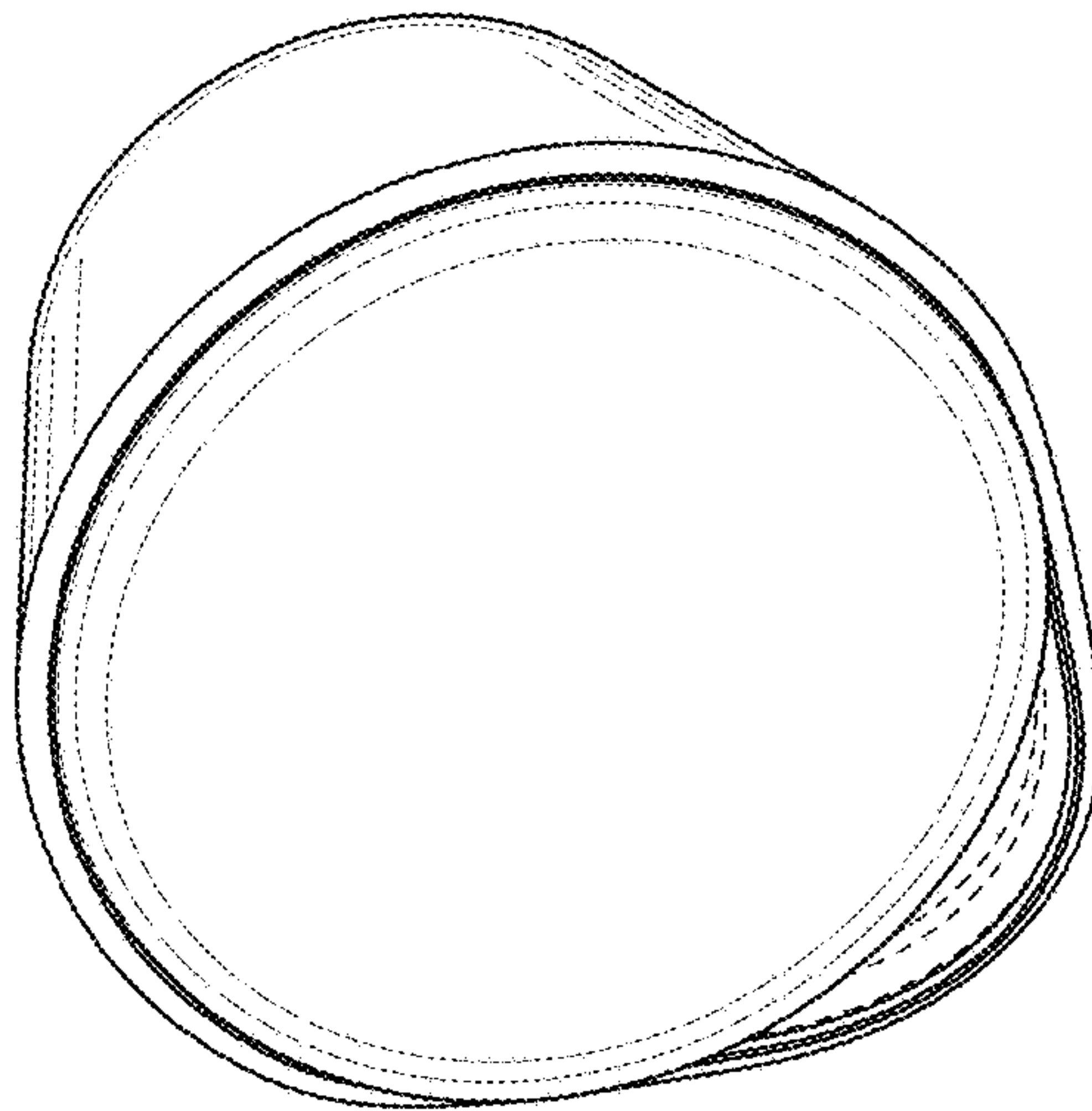


FIG. 2

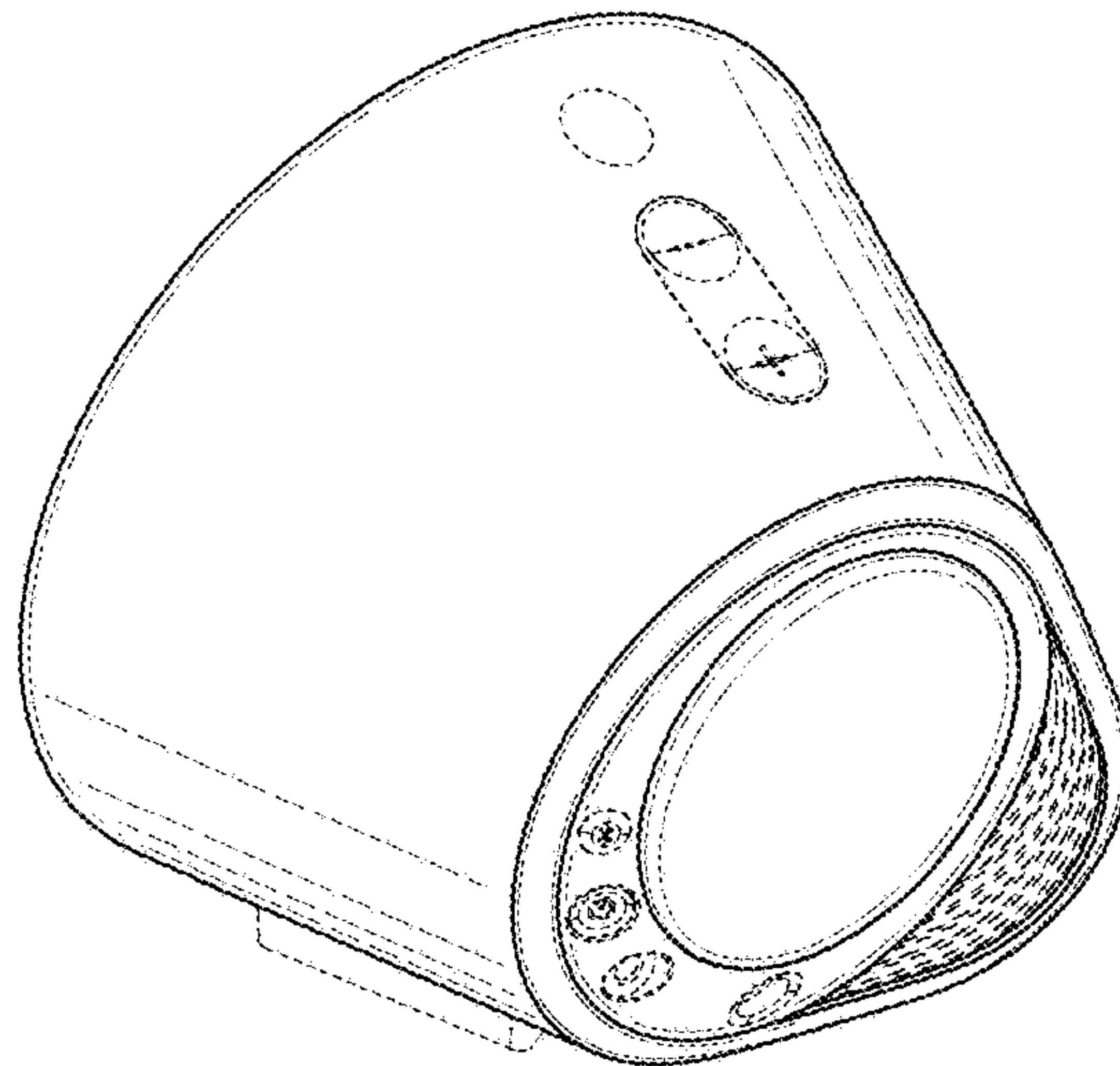


FIG. 3

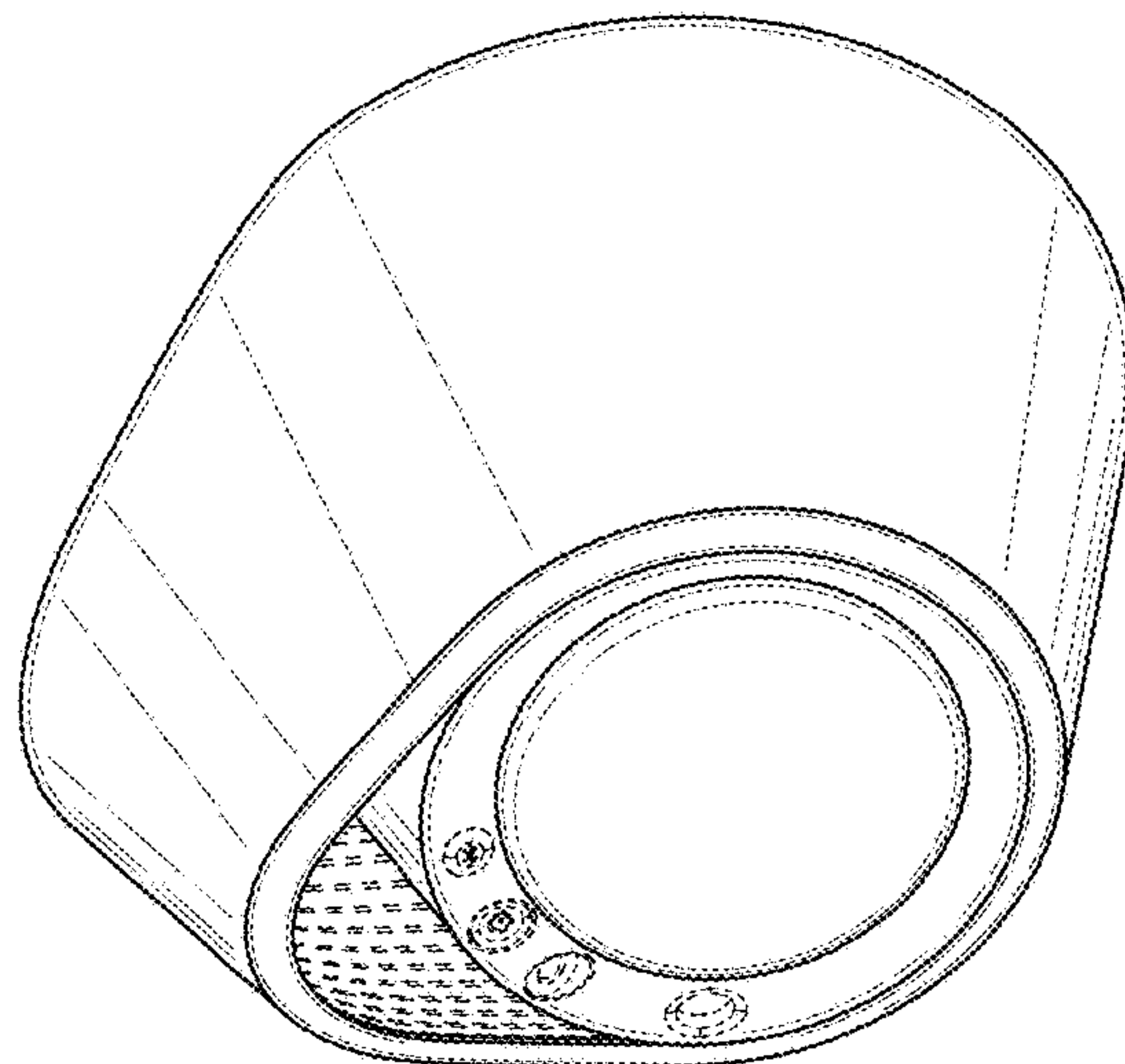


FIG. 4

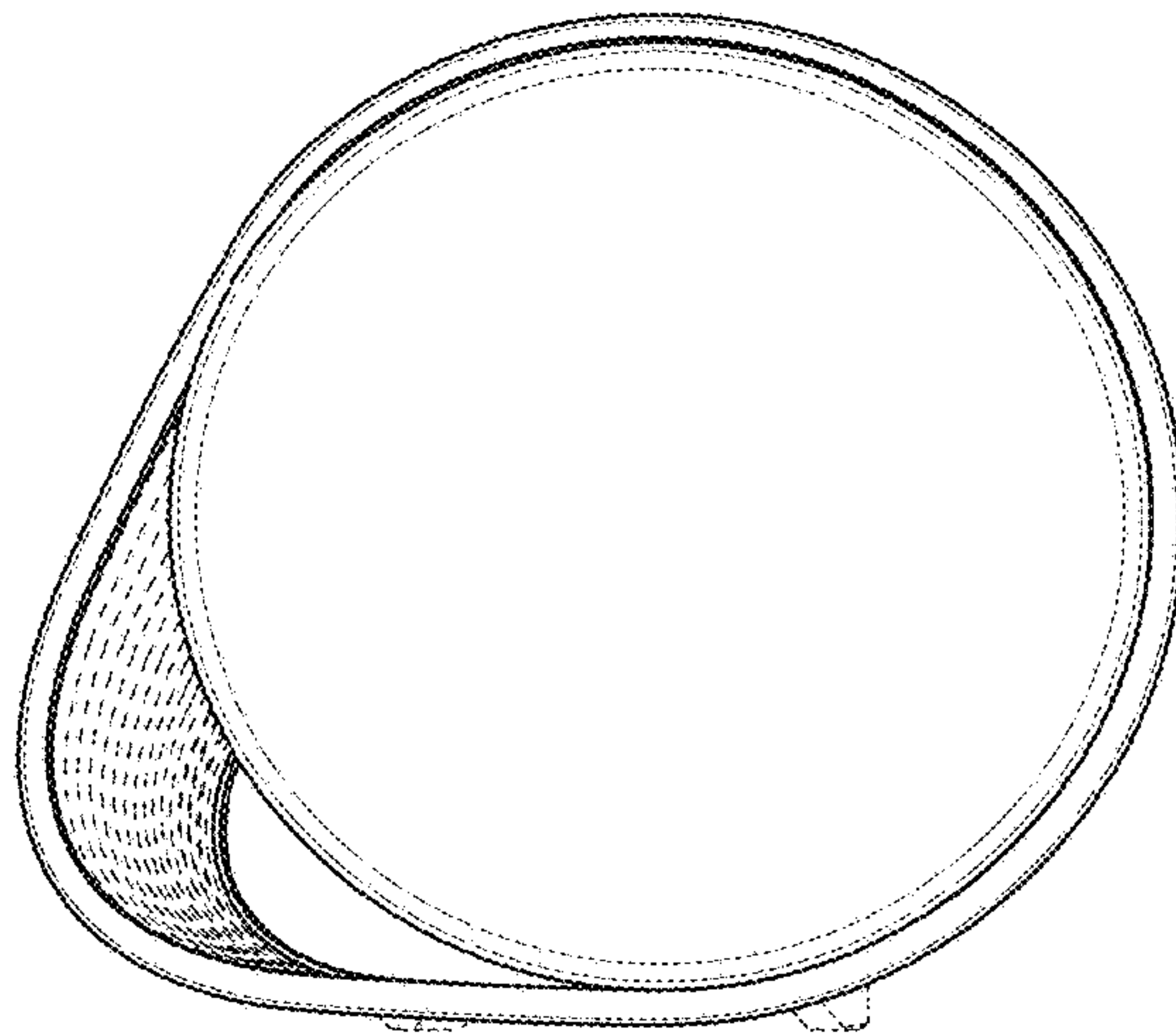


FIG. 5

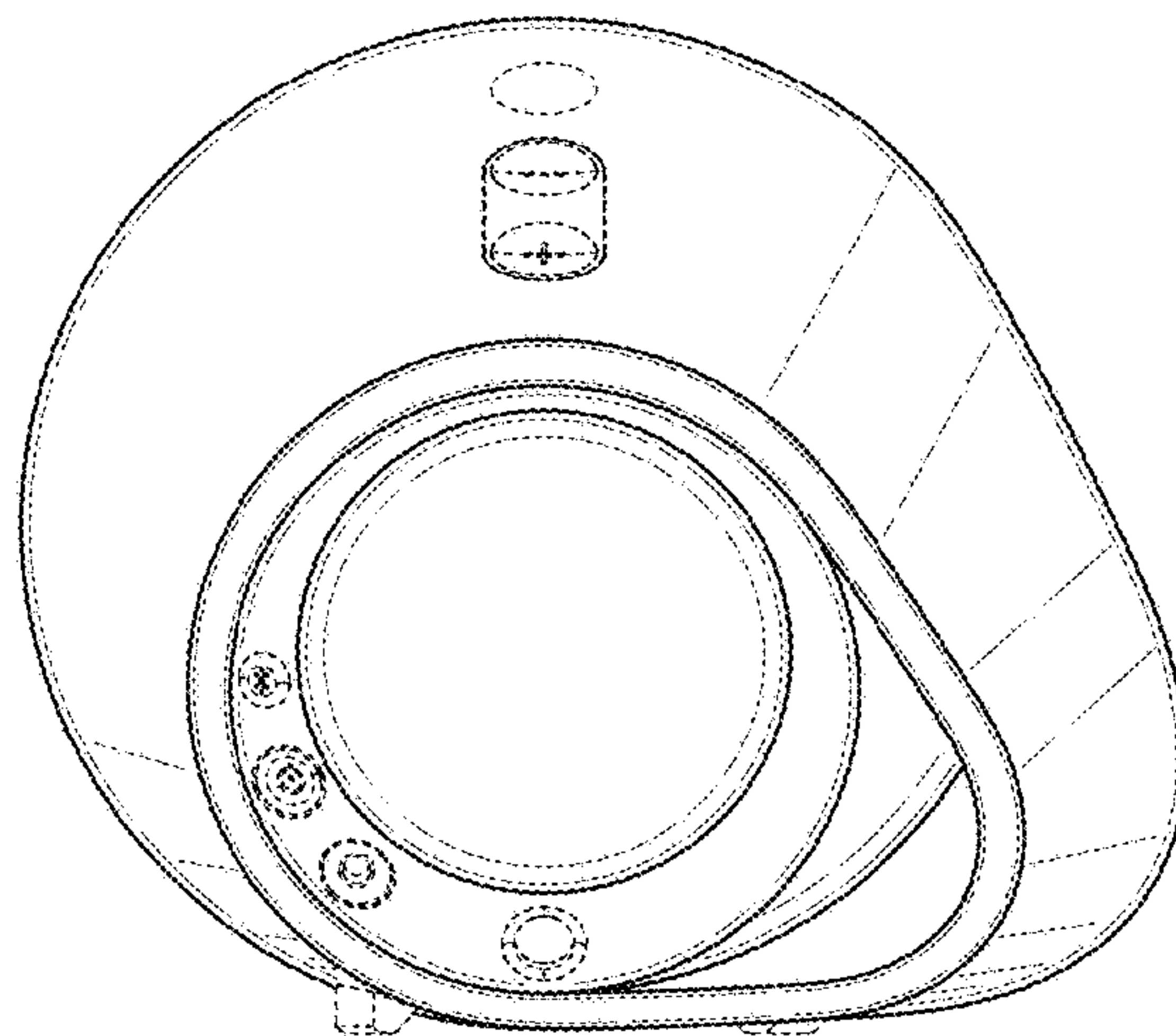


FIG. 6

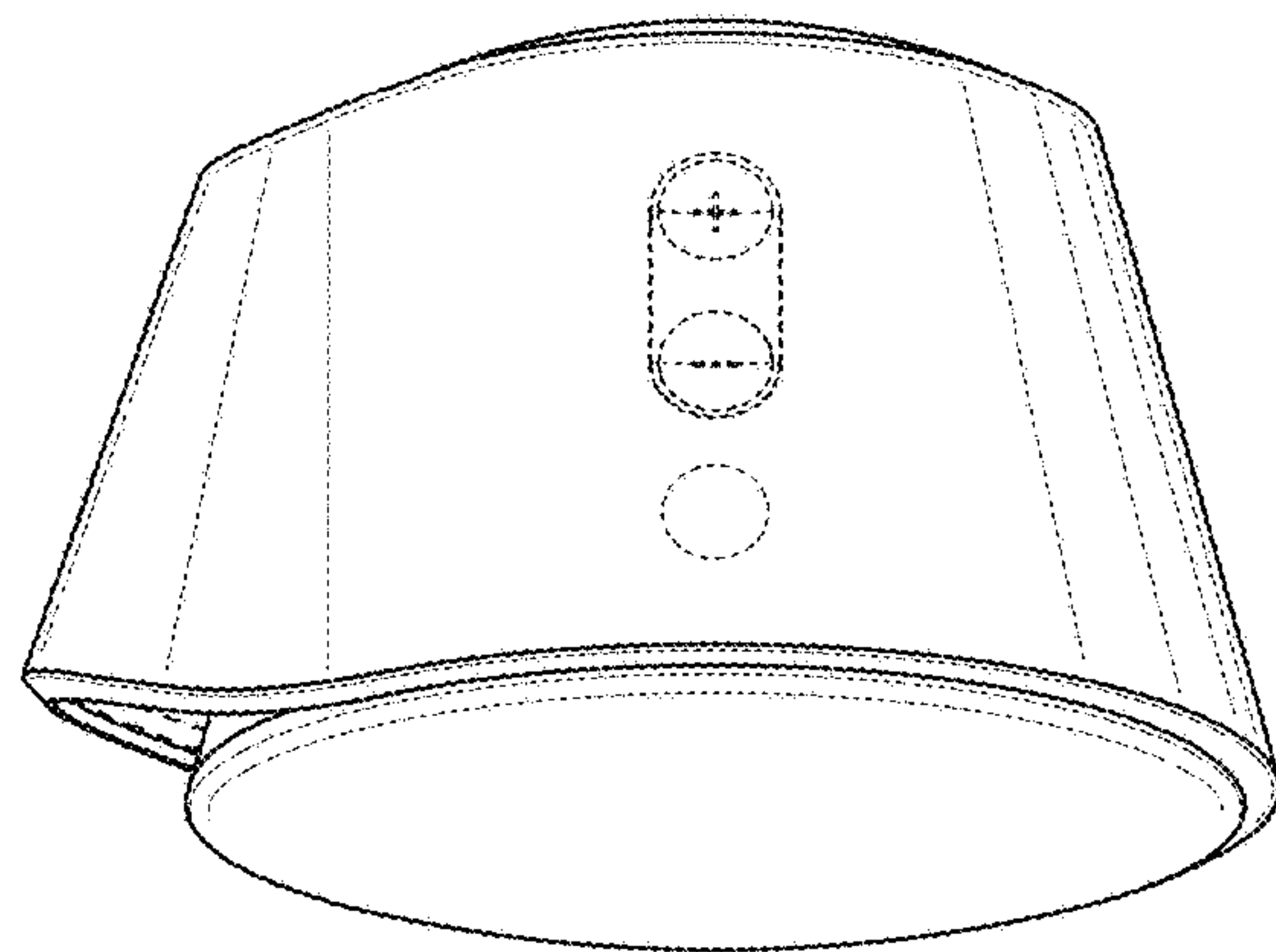


FIG. 7

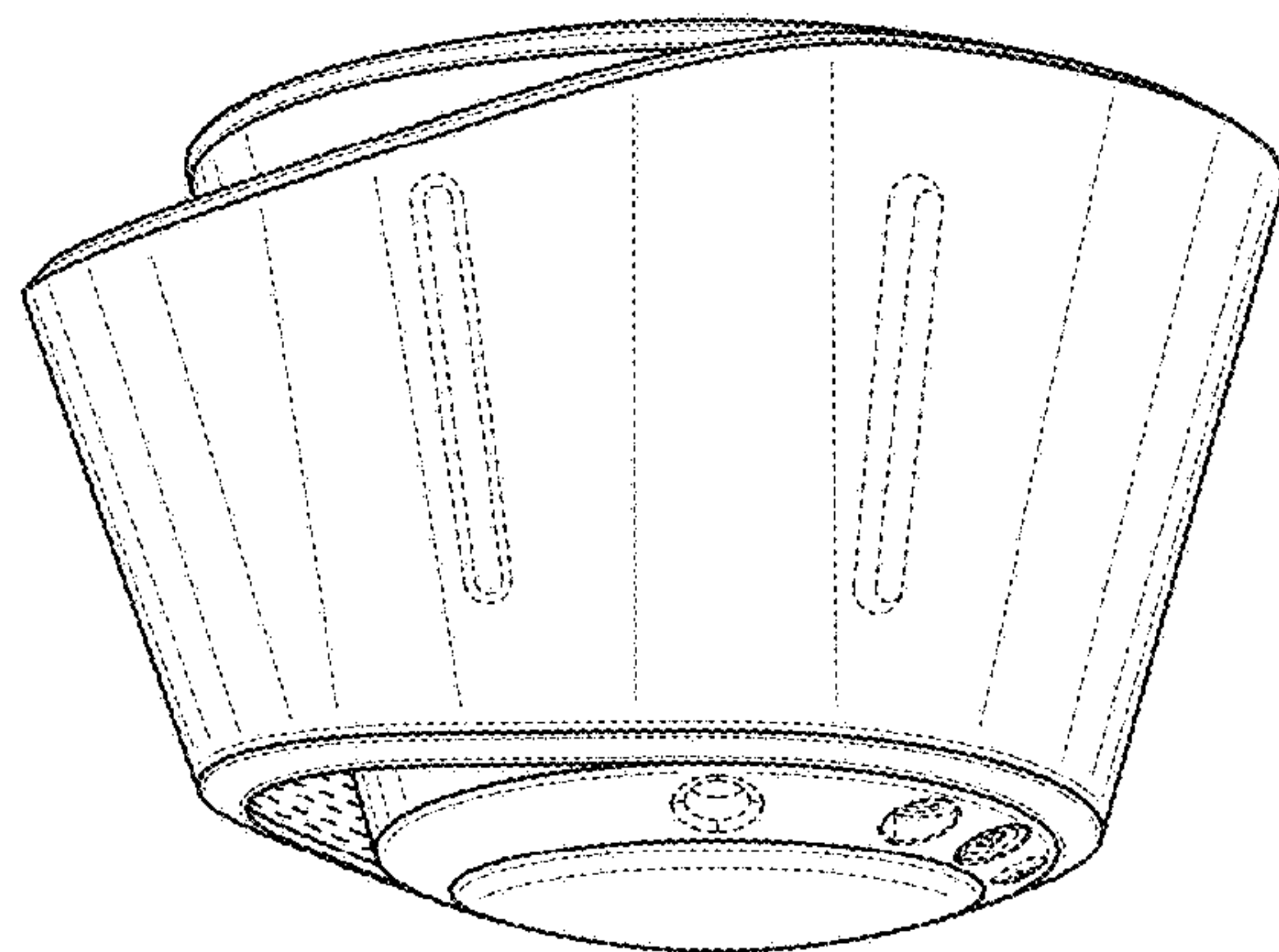


FIG. 8

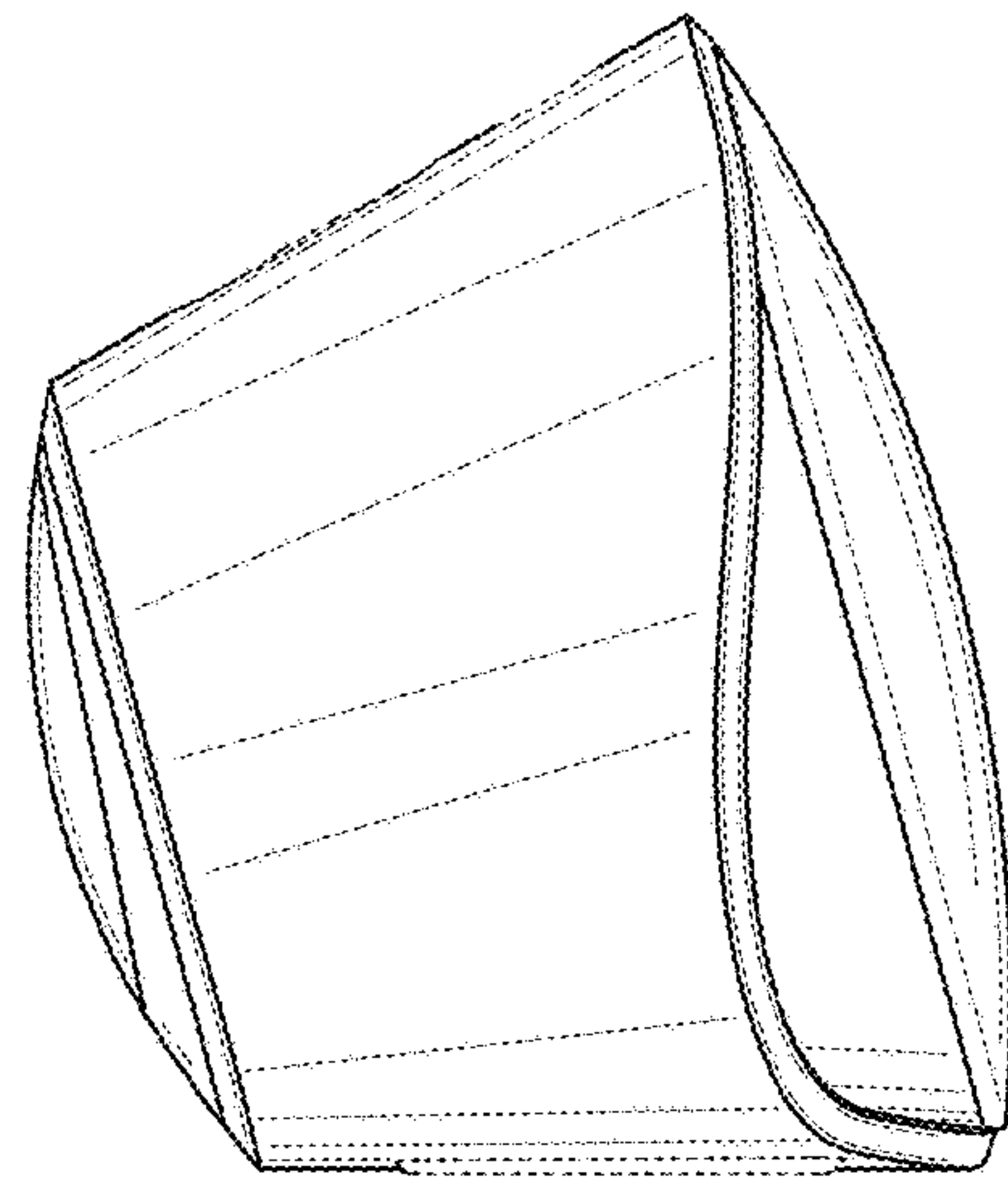


FIG. 9

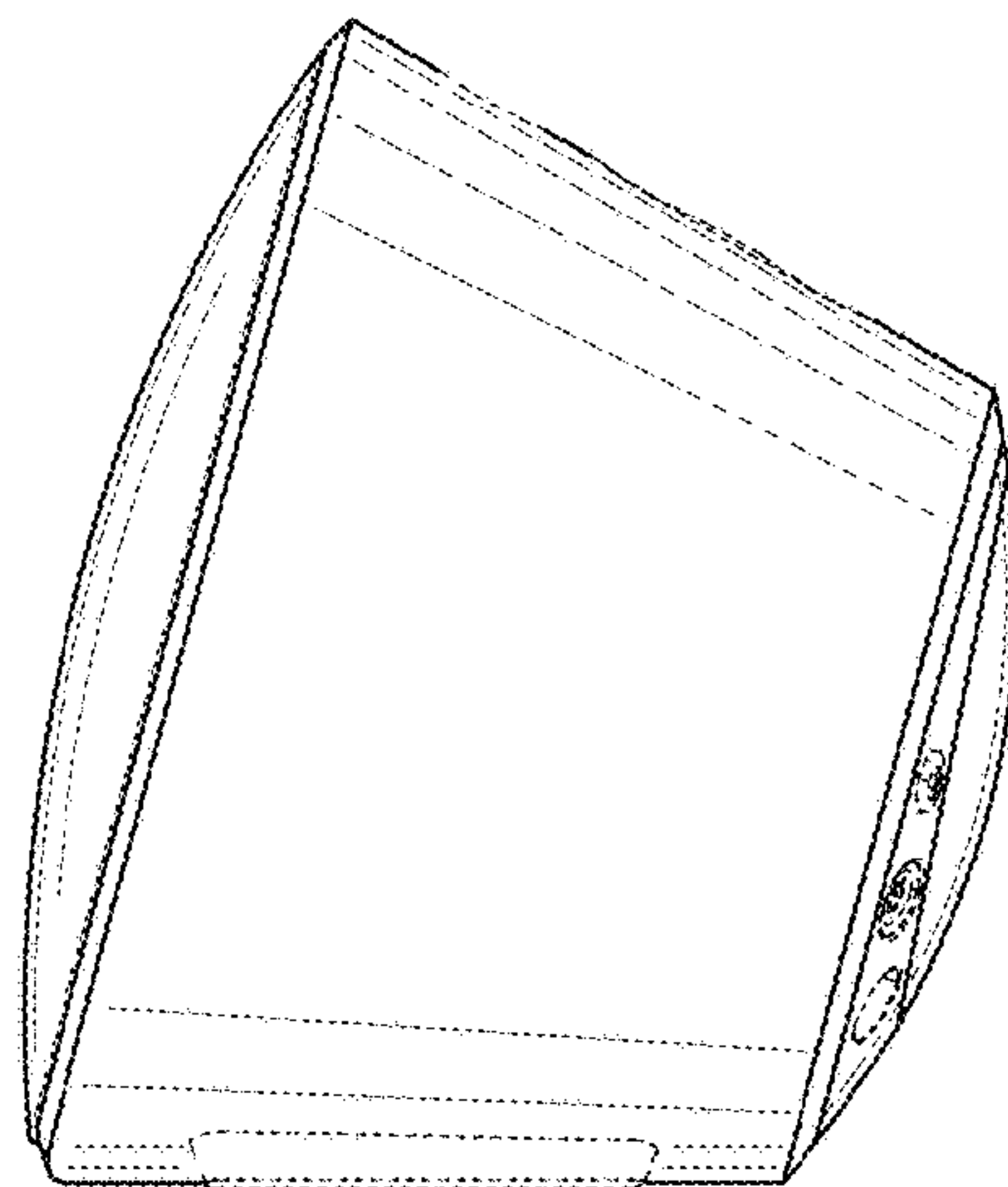


FIG. 10

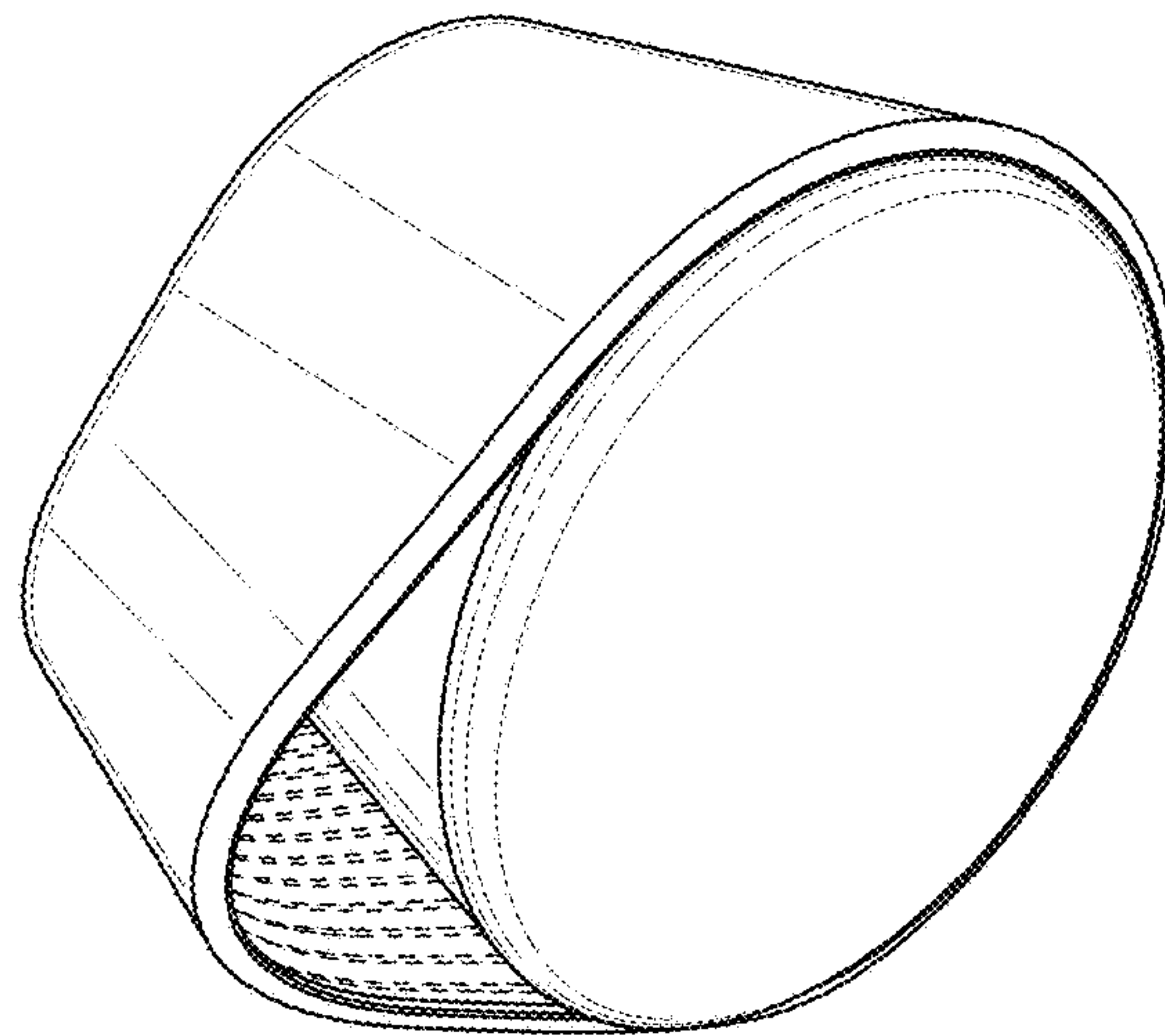


FIG. 11

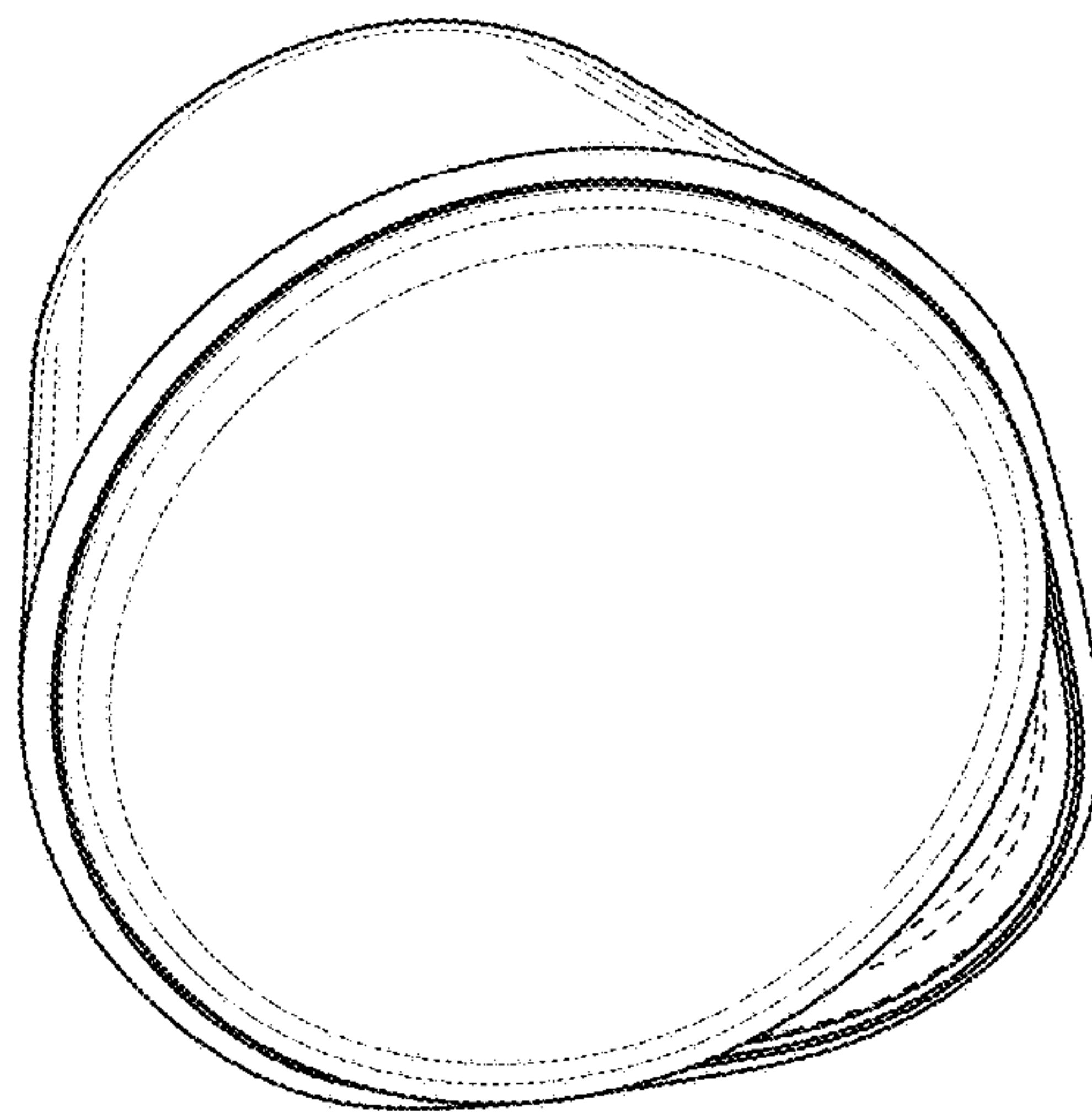


FIG. 12

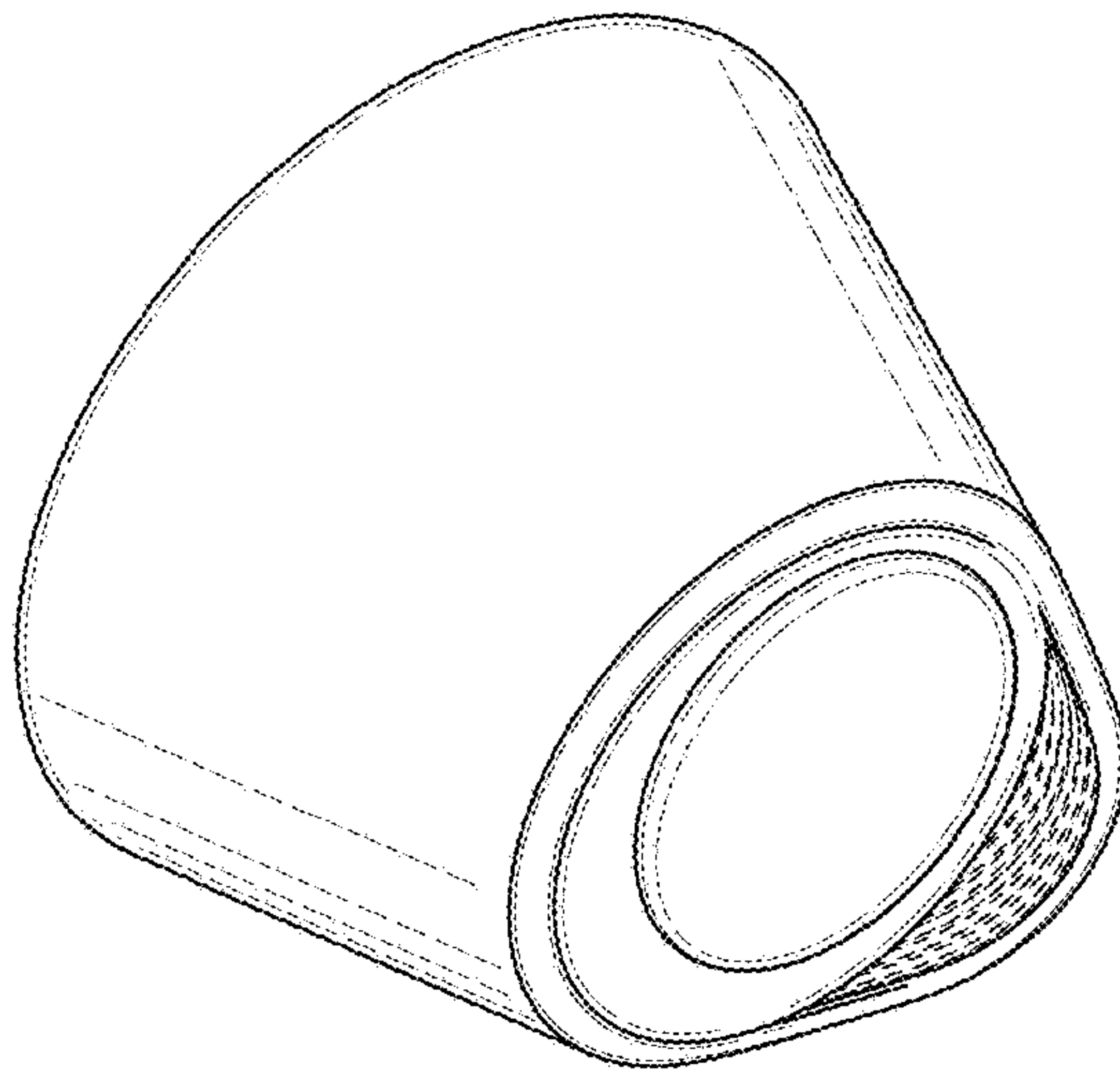


FIG. 13

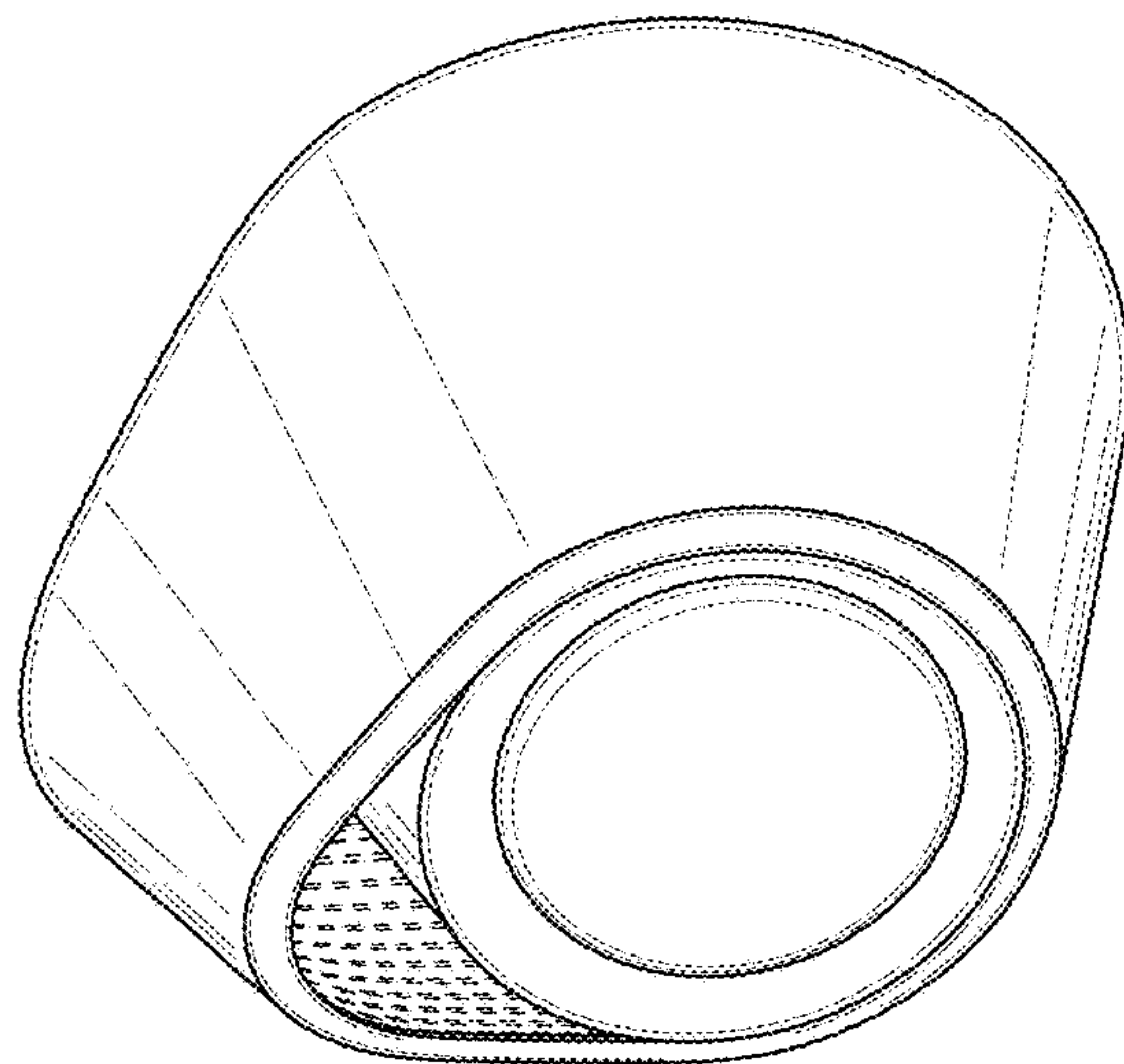


FIG. 14

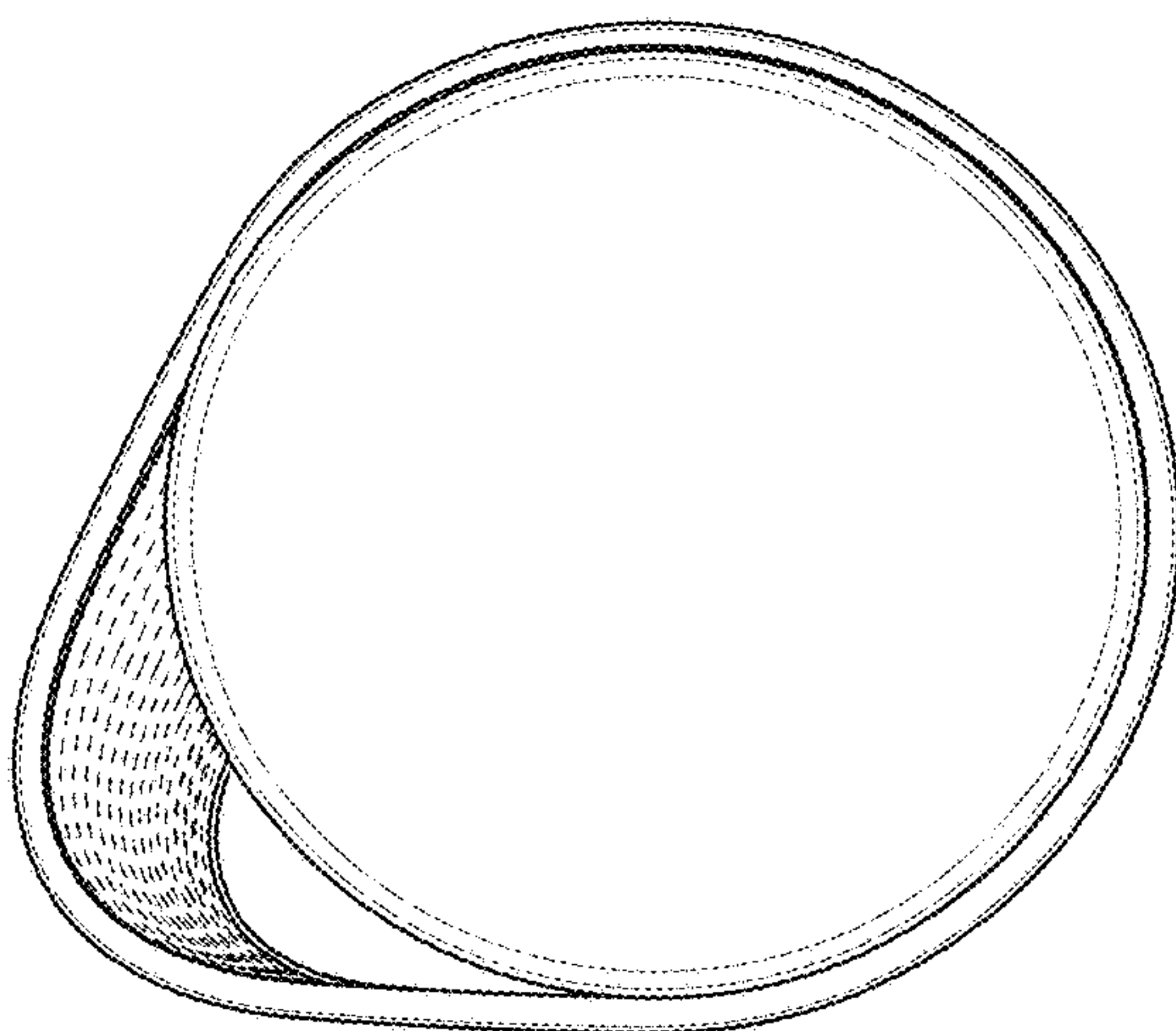


FIG. 15

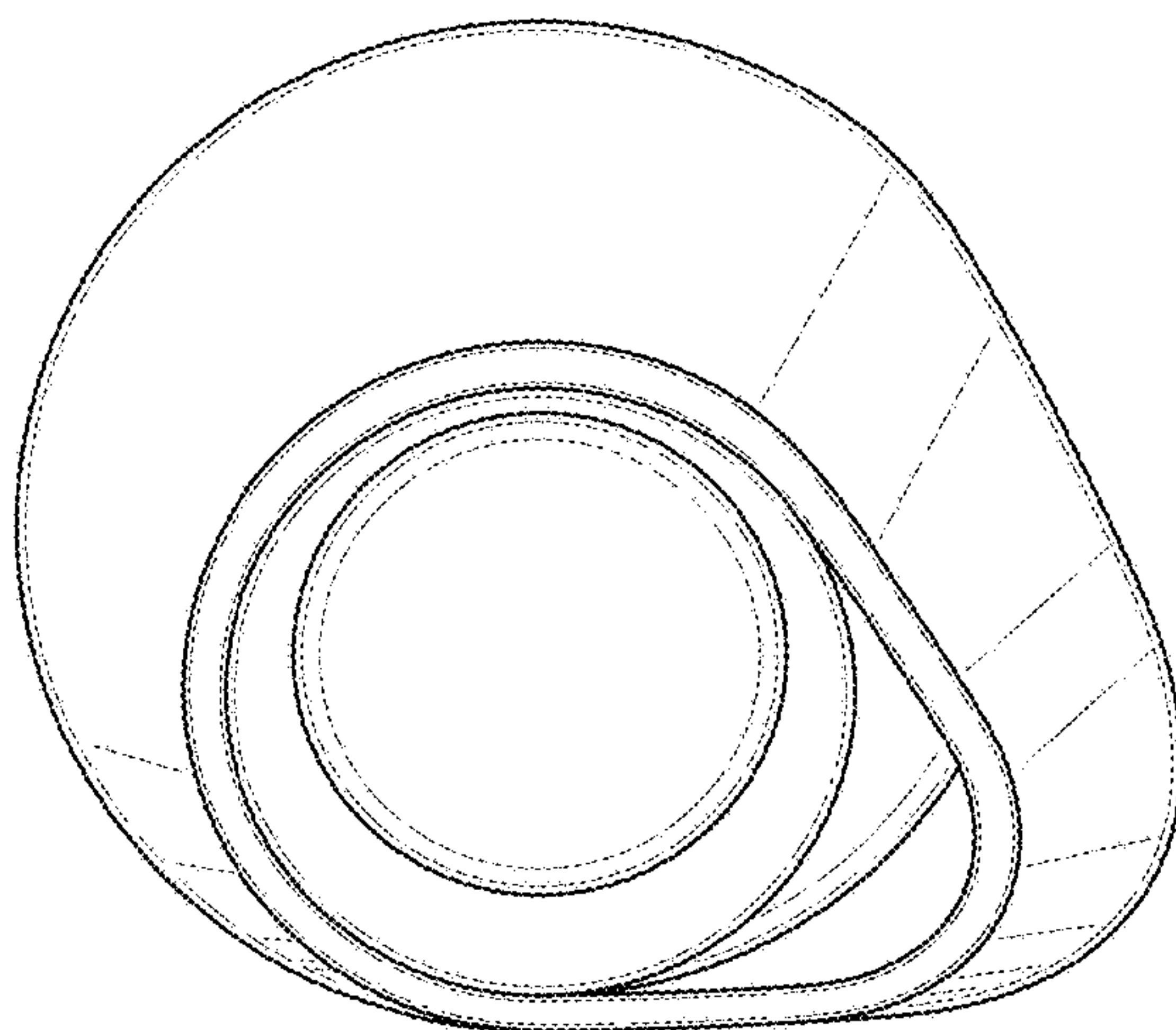


FIG. 16

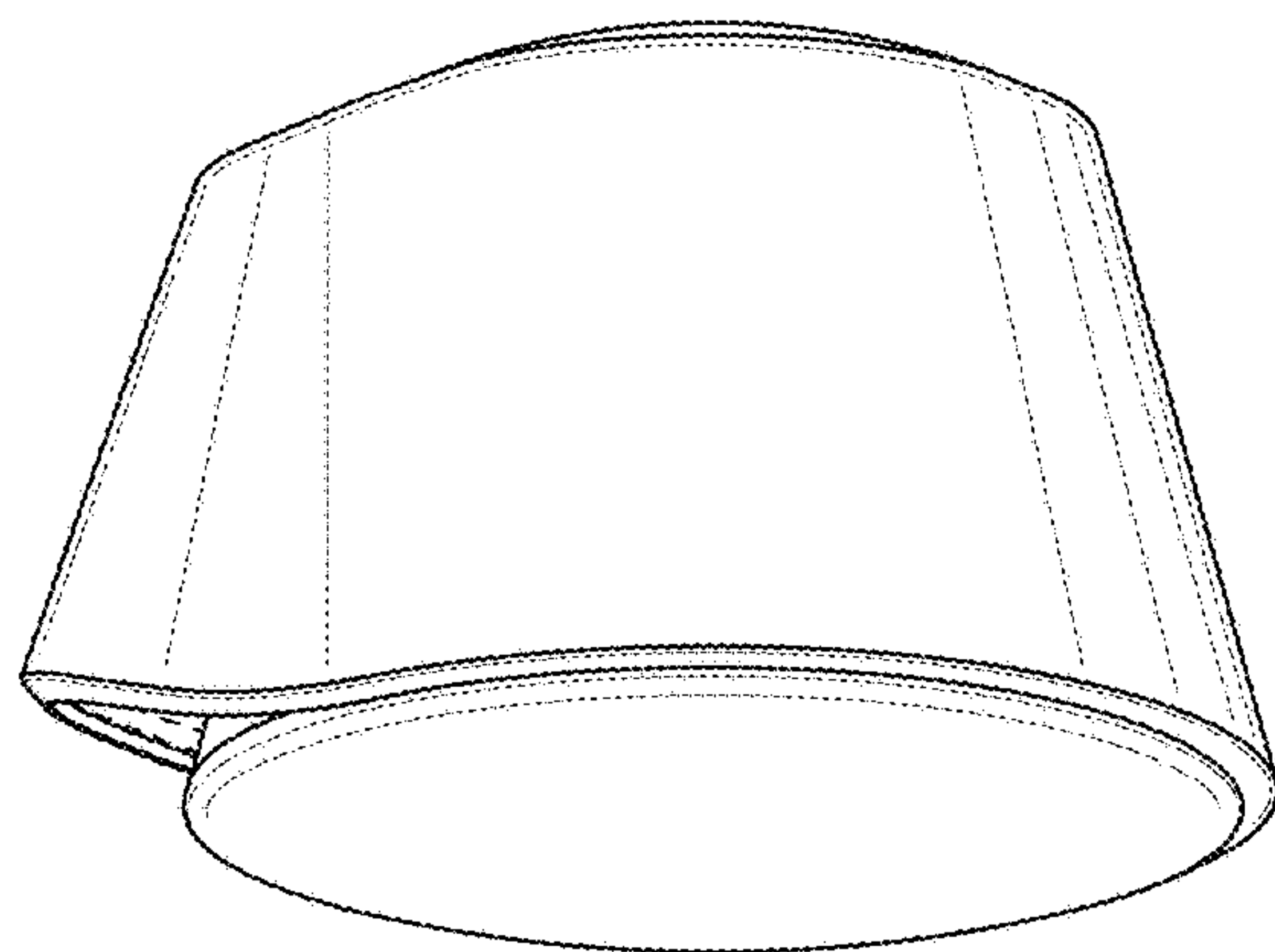


FIG. 17

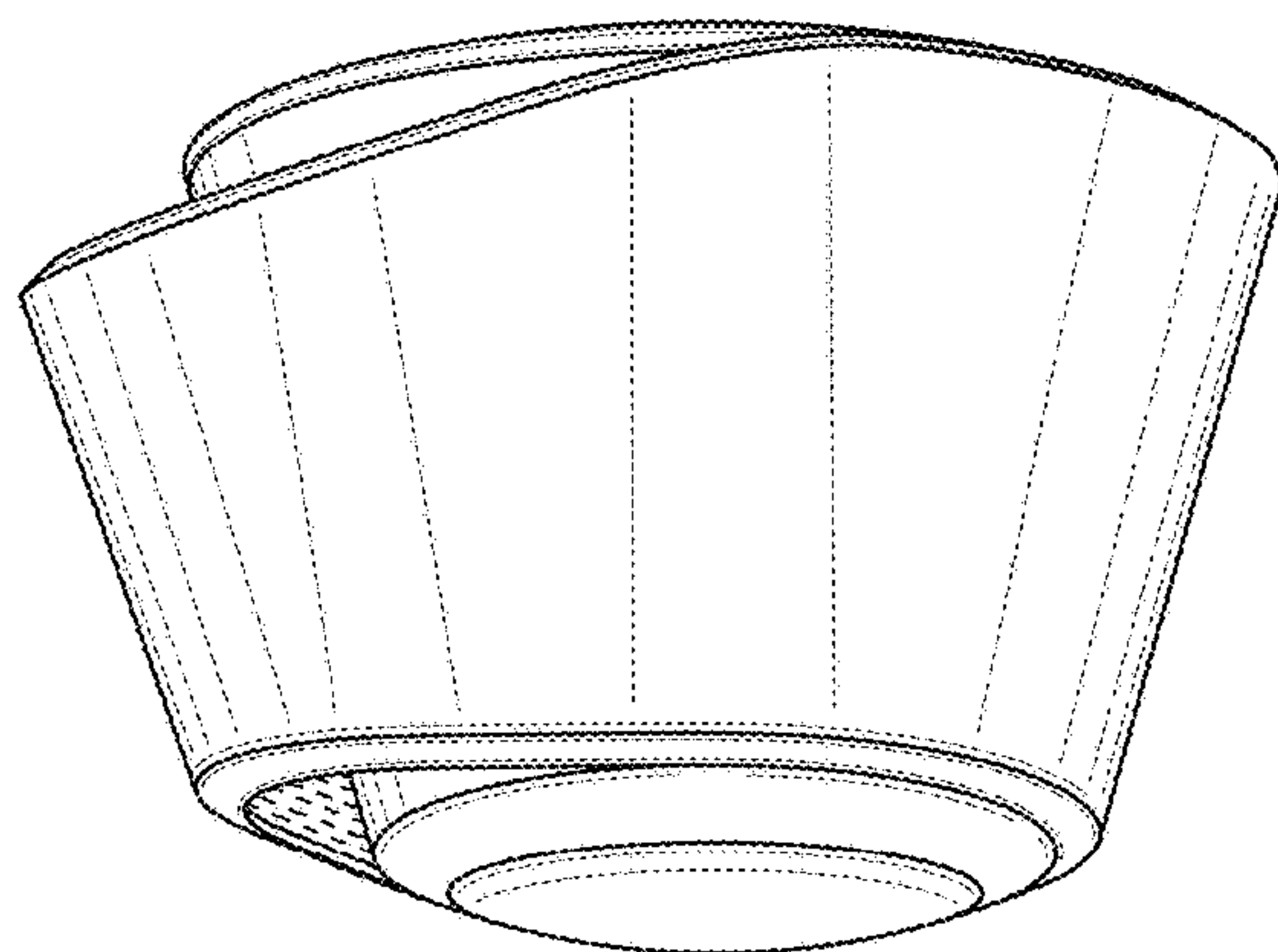


FIG. 18

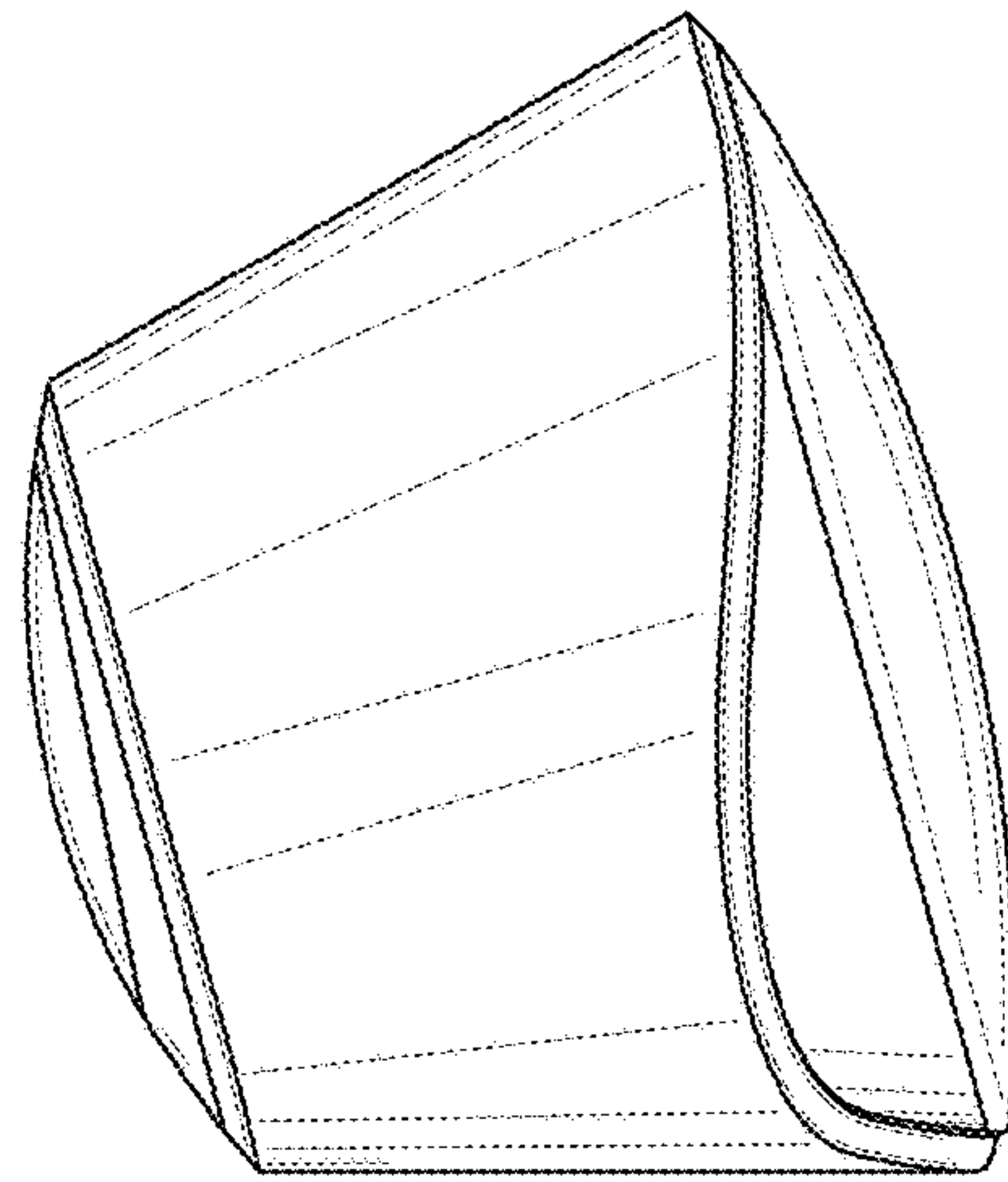


FIG. 19

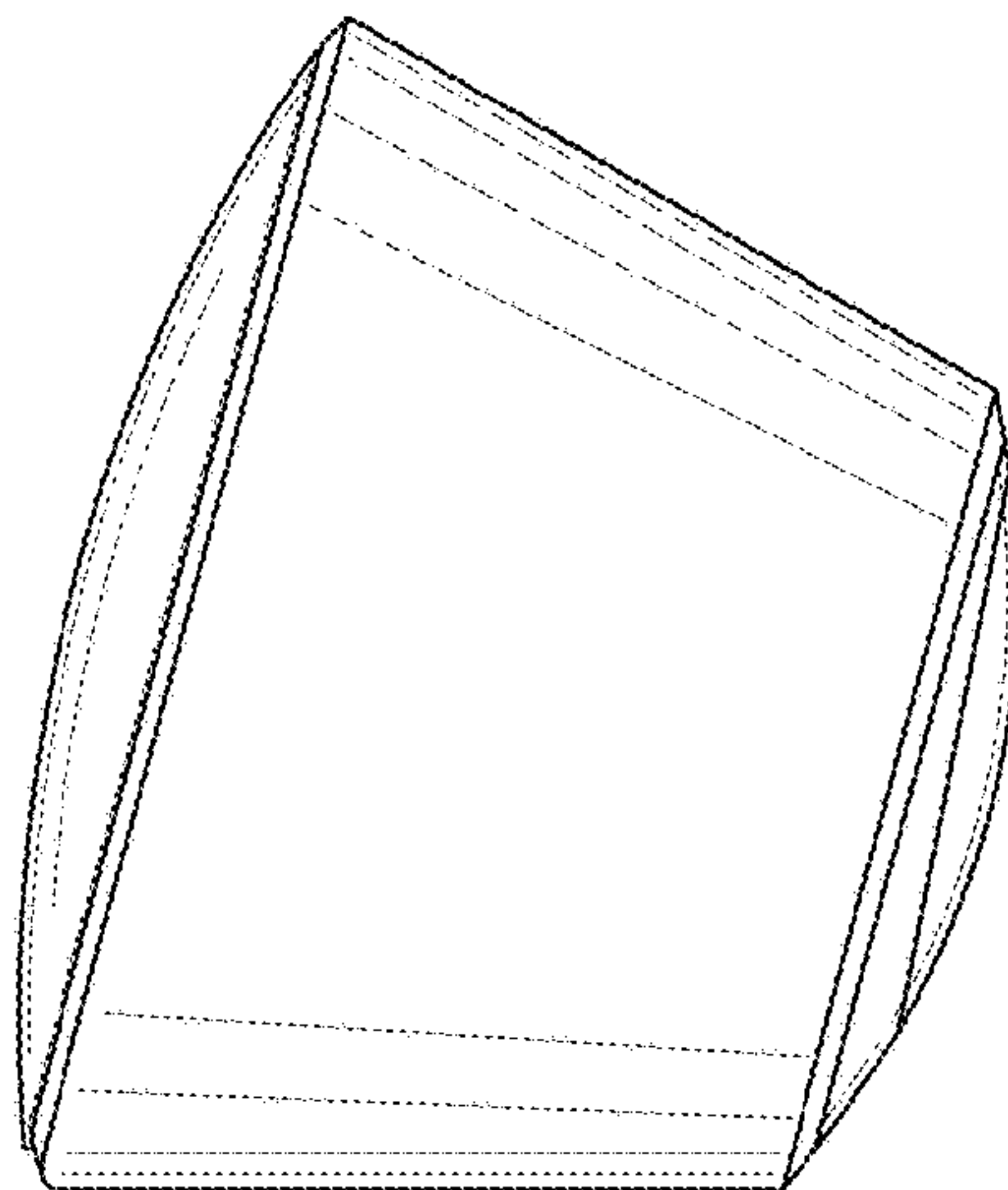


FIG. 20