



US00D857658S

(12) **United States Design Patent**
Su et al.

(10) **Patent No.:** **US D857,658 S**

(45) **Date of Patent:** **** Aug. 27, 2019**

(54) **SPEAKER**

(71) Applicant: **Logitech Europe S.A.**, Lausanne (CH)

(72) Inventors: **Chun-Wei Su**, Hsinchu (TW); **Yi Hsuan Lin**, New Taipei (TW); **Pinpach Piyatiratitivorakul**, Hsinchu (TW); **Gregory Franc De Ferriere**, Ap Lei Chau (HK)

(73) Assignee: **Logitech Europe S.A.**, Lausanne (CH)

(**) Term: **15 Years**

(21) Appl. No.: **29/615,462**

(22) Filed: **Aug. 29, 2017**

(51) **LOC (12) Cl.** **14-01**

(52) **U.S. Cl.**
USPC **D14/216**

(58) **Field of Classification Search**
USPC D14/167, 168, 170–172, 188, 194–196, D14/204, 209.1, 210–216, 219, 221, 222, D14/224, 239, 496, 197, 198, 205, 206, D14/223
CPC B60R 11/0217; G06F 1/1688; G10K 9/22; G10K 11/004; H03F 1/327; H04M 1/03; H04M 1/035; H04N 5/642; H04N 21/4852; H04R 1/02; H04R 1/06; H04R 1/021; H04R 1/025; H04R 1/026; H04R 1/028; H04R 1/105; H04R 1/323; H04R 1/403; H04R 1/2803; H04R 1/2834; H04R 5/02; H04R 7/20; H04R 9/06; H04R 9/025; H04R 2201/021; H04R 2400/00; H04R 2400/07; H04R 2499/11; H04R 2499/13; H04R 2499/15; H04S 3/00; H04S 7/30

See application file for complete search history.

(56) **References Cited**

U.S. PATENT DOCUMENTS

D338,672 S *	8/1993	Watanabe	D14/216
D576,636 S *	9/2008	Wong	D14/168
D588,022 S *	3/2009	Hocherman	D10/15
D600,569 S *	9/2009	Sadler	D10/15
D659,680 S *	5/2012	Kim	D14/216
D692,854 S *	11/2013	Stabile	D14/207
D712,378 S *	9/2014	Mackiewicz	D14/216
D727,877 S *	4/2015	Seoc	D14/209.1
D740,474 S *	10/2015	Pineau	D26/37
D780,151 S *	2/2017	Jeon	D14/171
D834,000 S *	11/2018	Paslowski	D14/216

* cited by examiner

Primary Examiner — Keli L Hill

(74) *Attorney, Agent, or Firm* — Kilpatrick Townsend & Stockton LLP

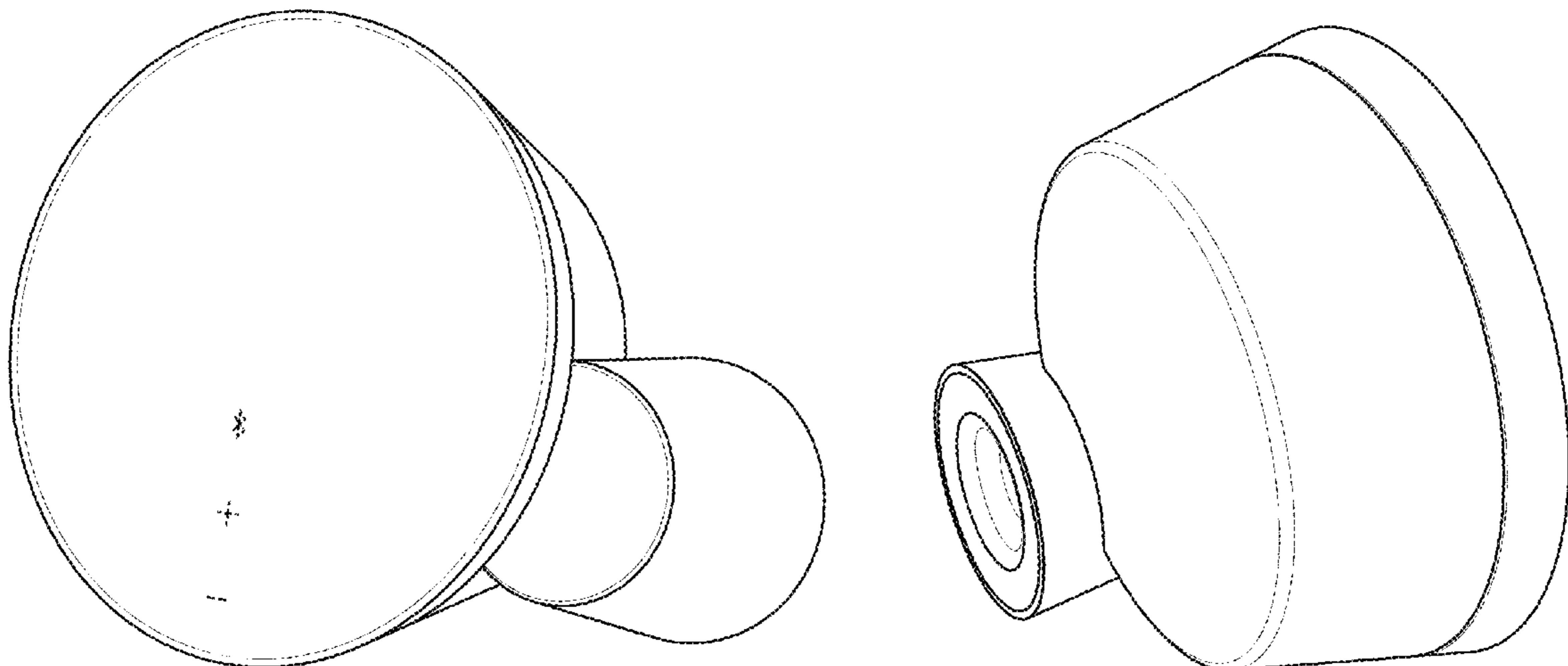
(57) **CLAIM**

The ornamental design for the speaker, as shown and described.

DESCRIPTION

FIG. 1 is a perspective view of our speaker showing our new design;
FIG. 2 is a second perspective view thereof;
FIG. 3 is a third perspective view thereof;
FIG. 4 is a front elevation view thereof;
FIG. 5 is back elevation view thereof;
FIG. 6 is a top plan view thereof;
FIG. 7 is a bottom plan view thereof;
FIG. 8 is a left side elevation view thereof; and,
FIG. 9 is a right side elevation view thereof.
The broken lines shown in the drawings illustrate portions of the speaker that form no part of the claimed design.

1 Claim, 5 Drawing Sheets



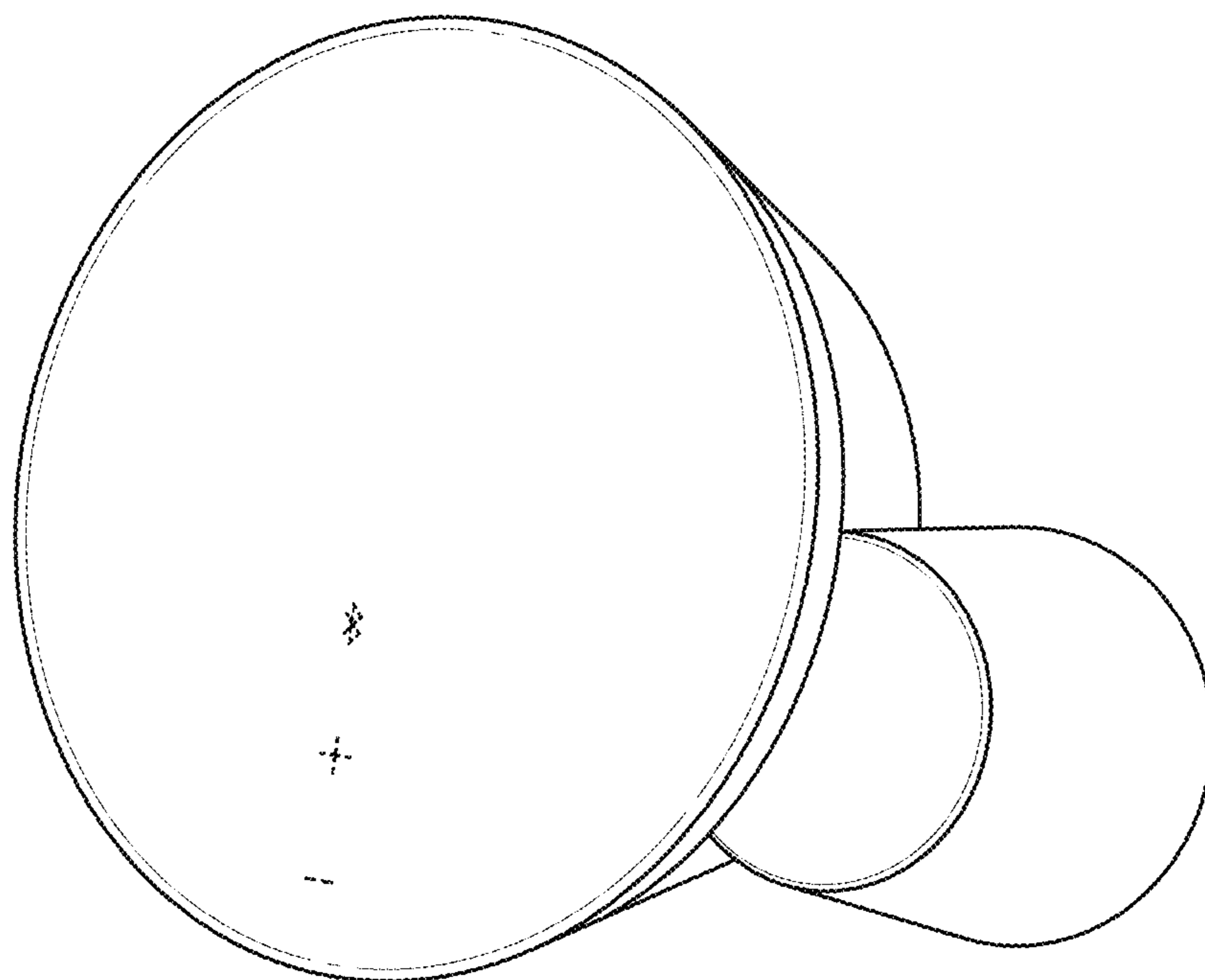


FIG. 1

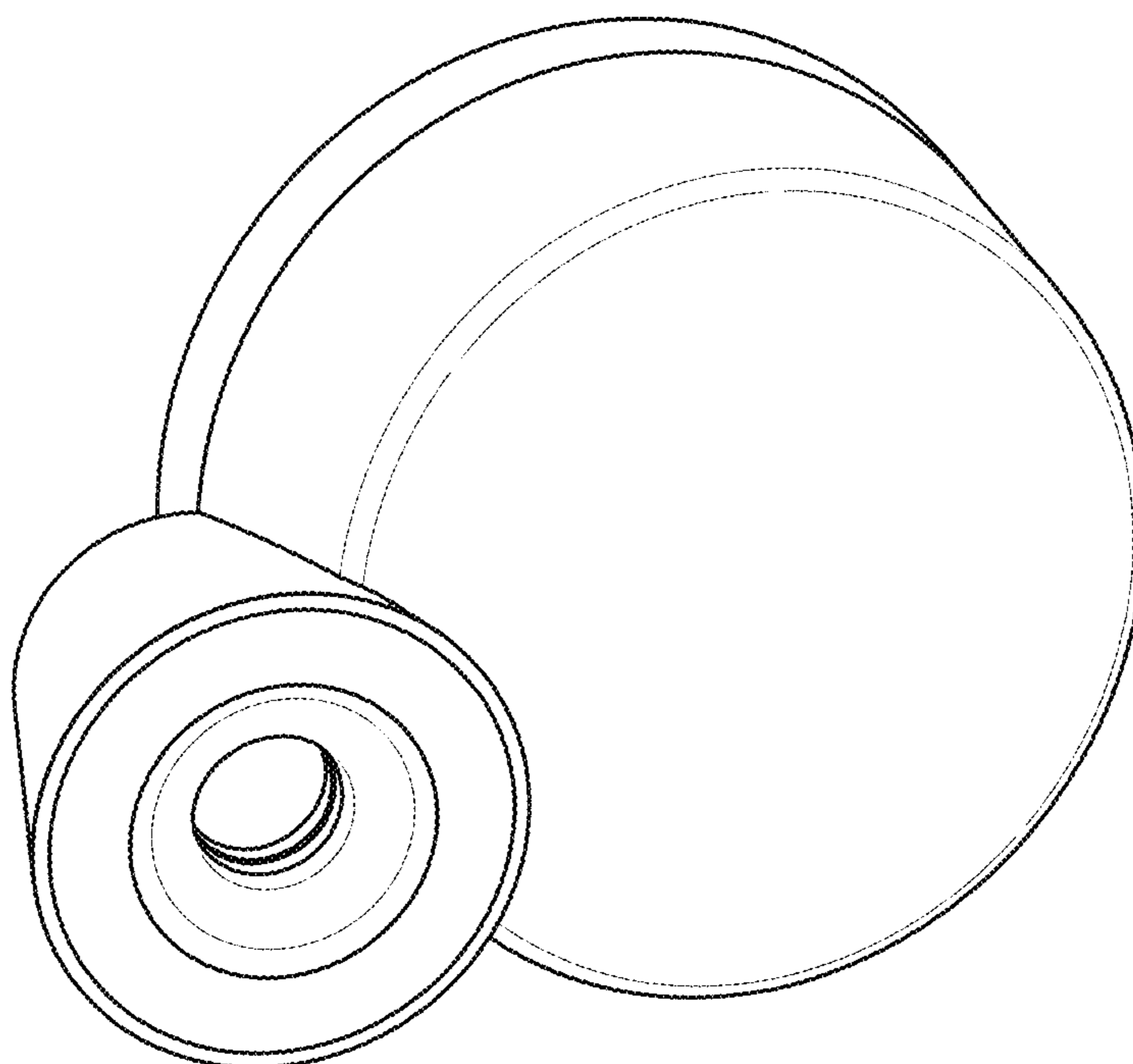


FIG. 2

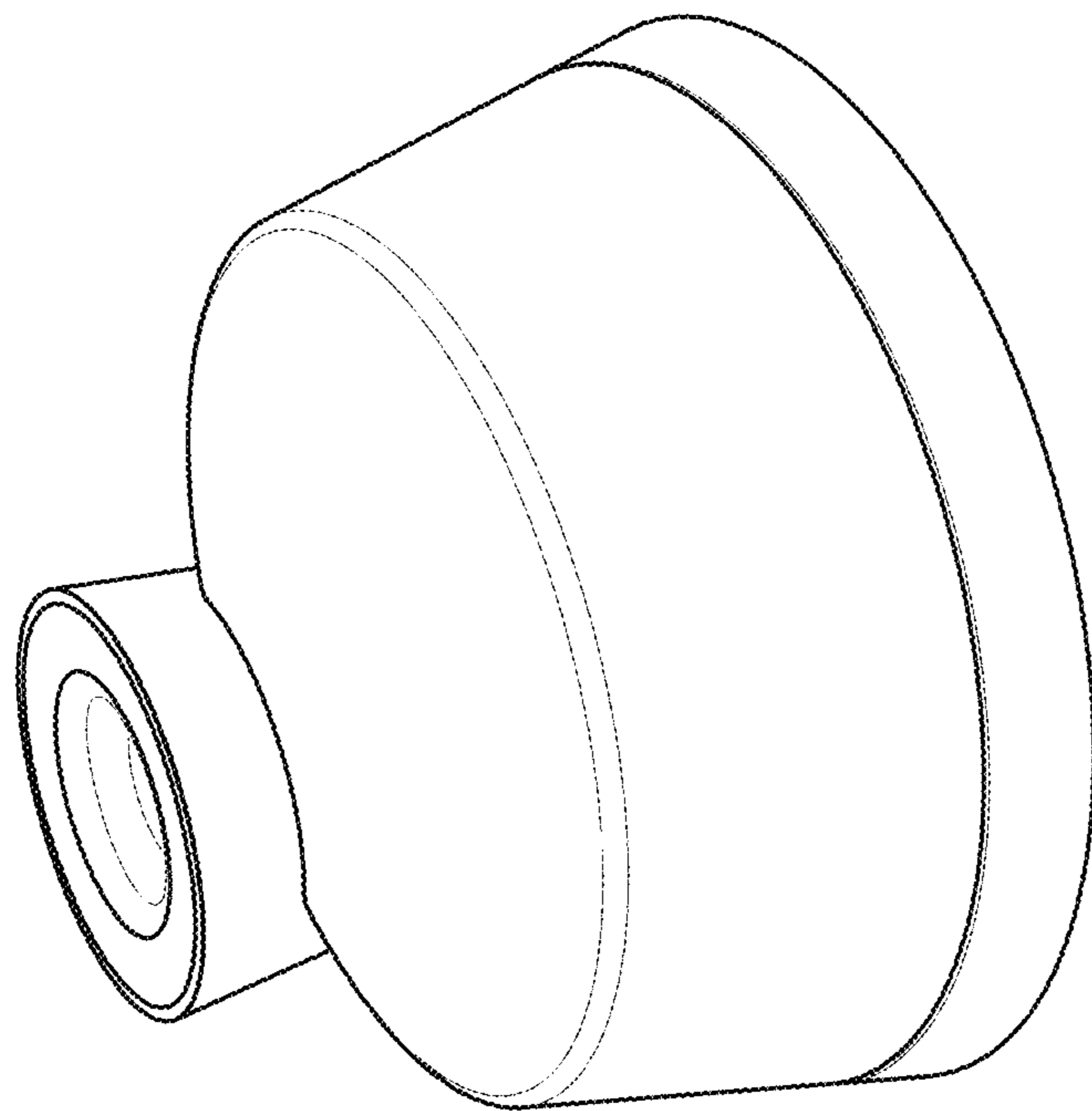


FIG. 3

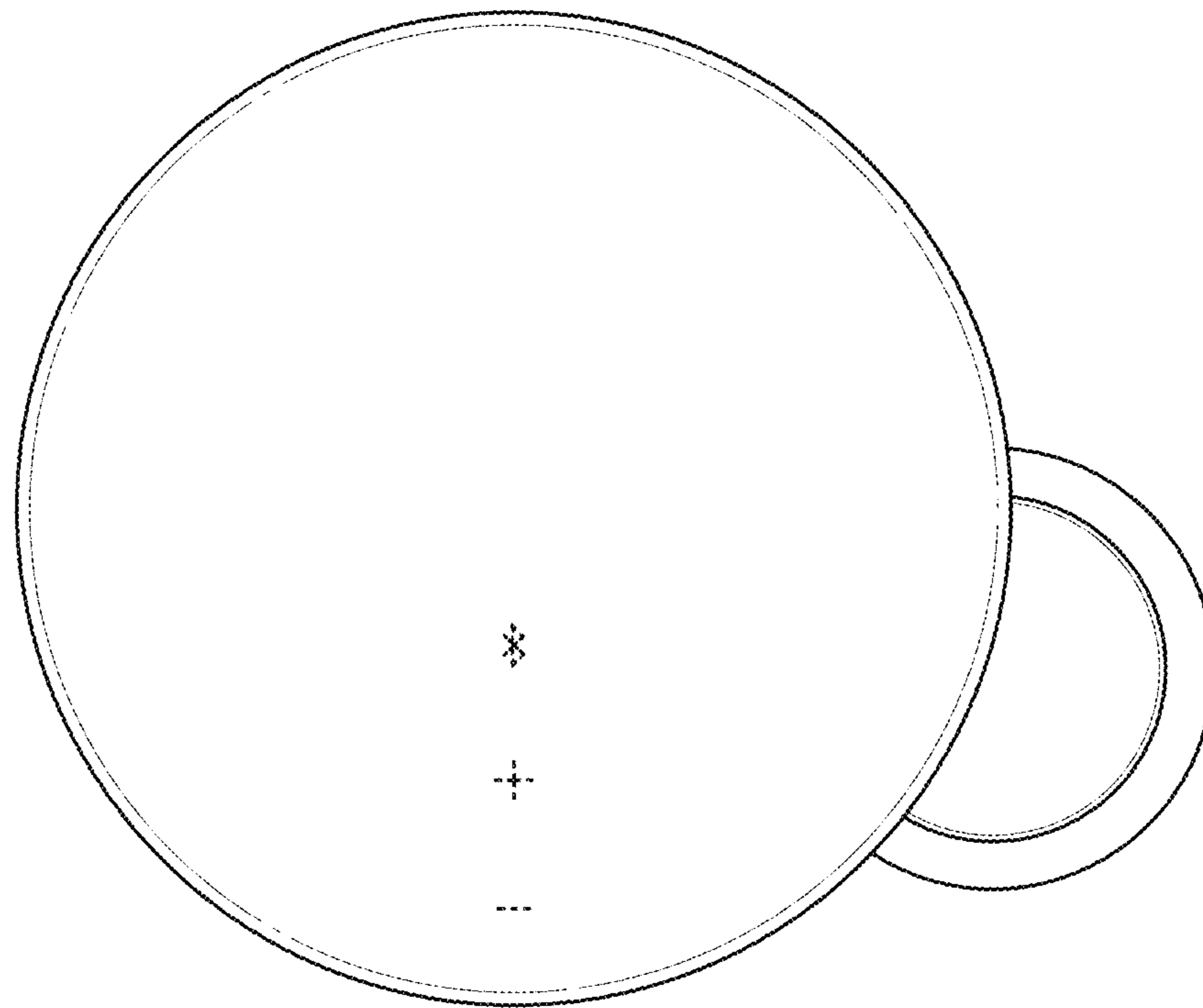


FIG. 4

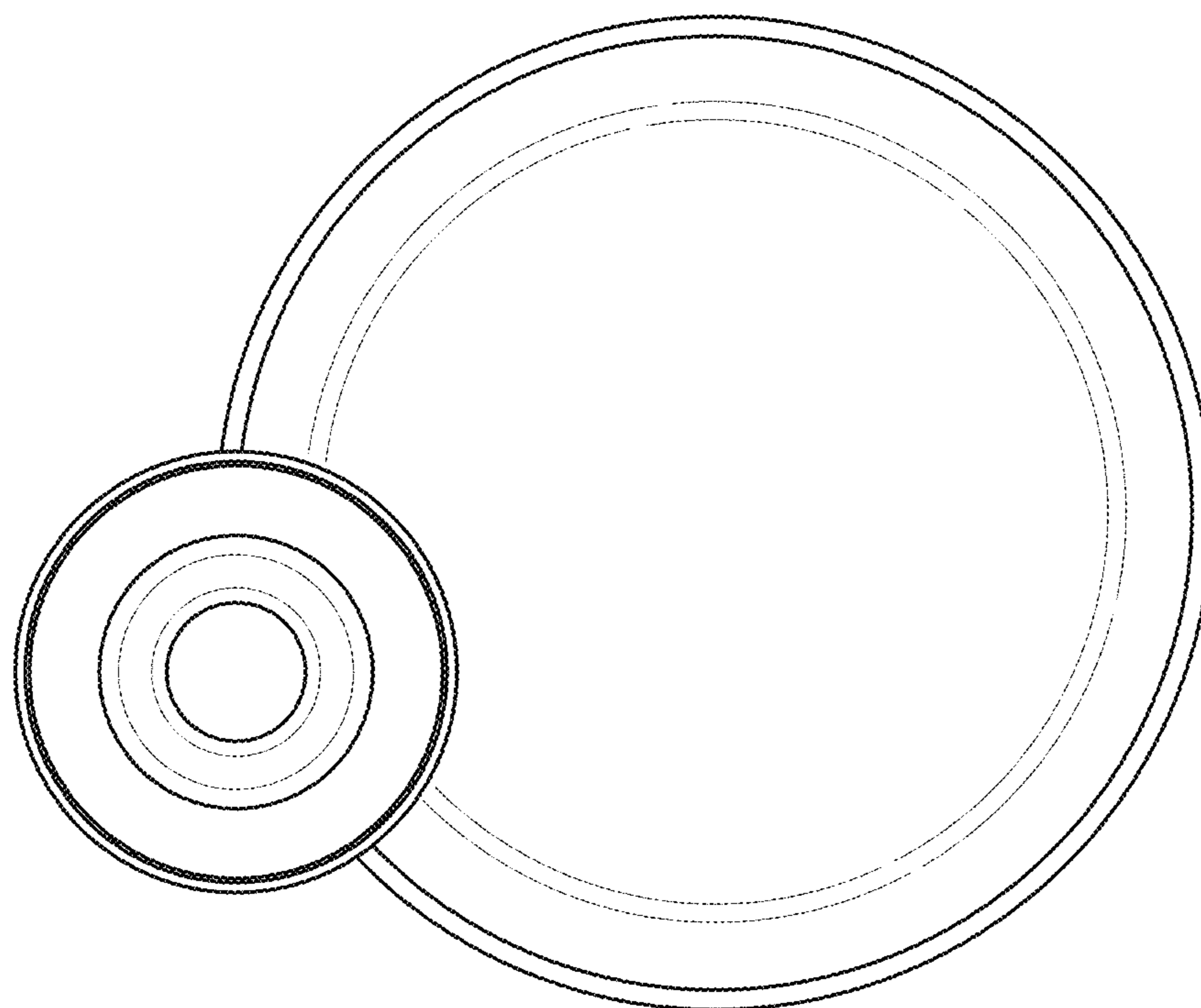


FIG. 5

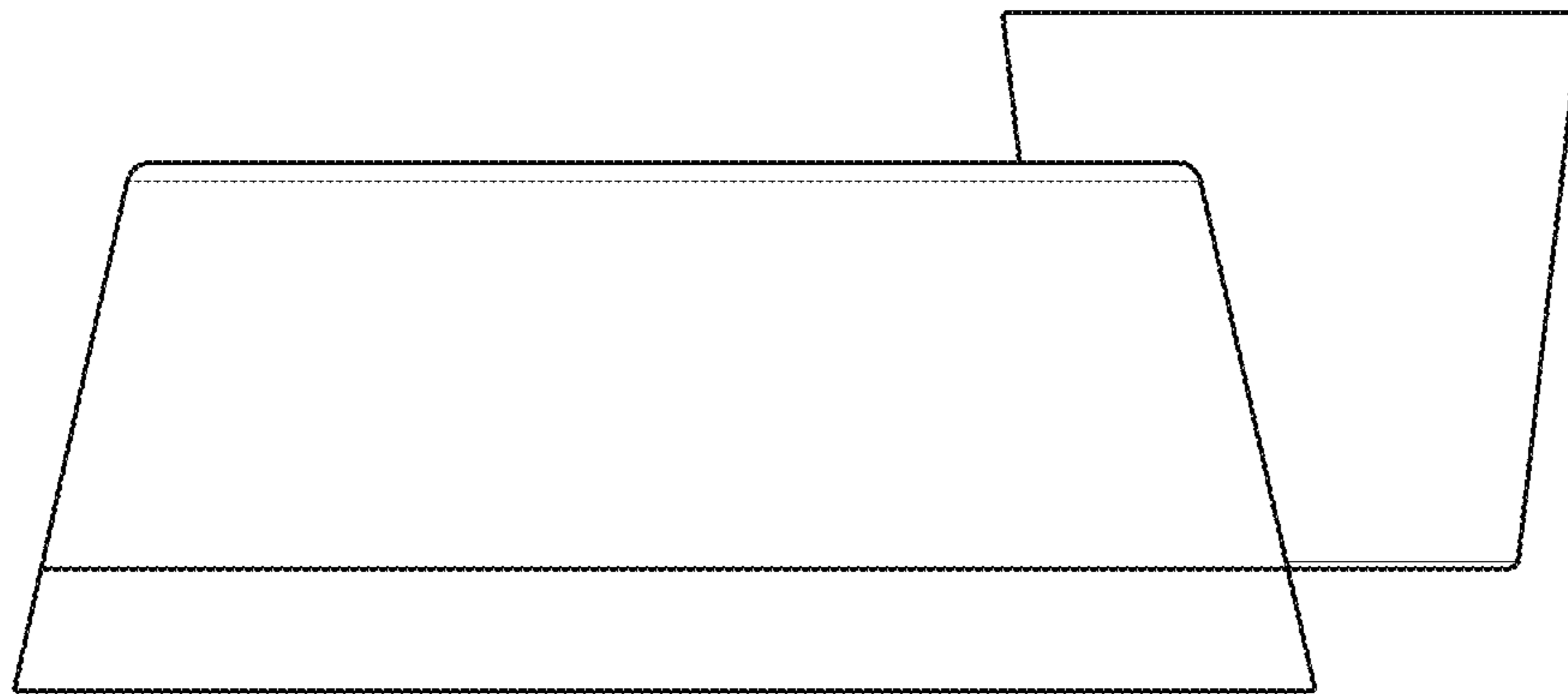


FIG. 6

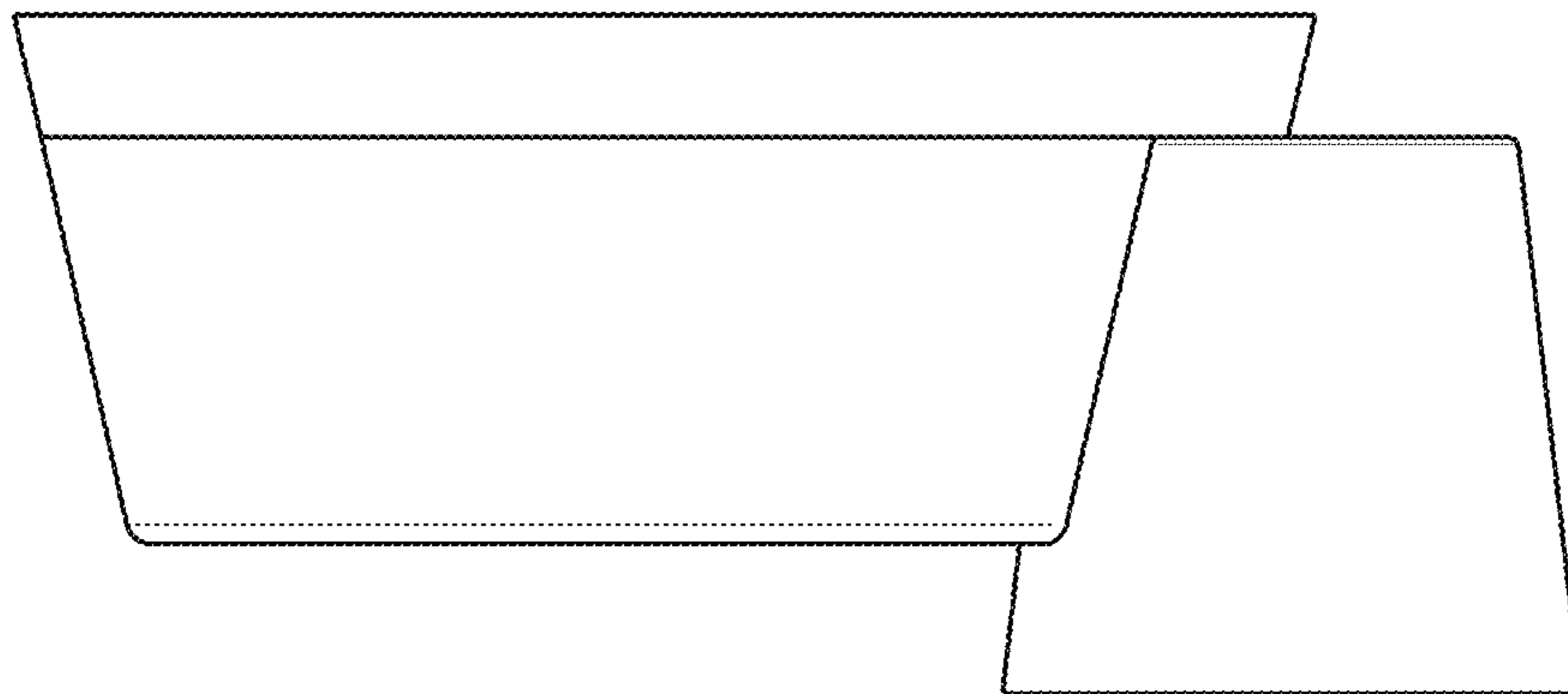


FIG. 7

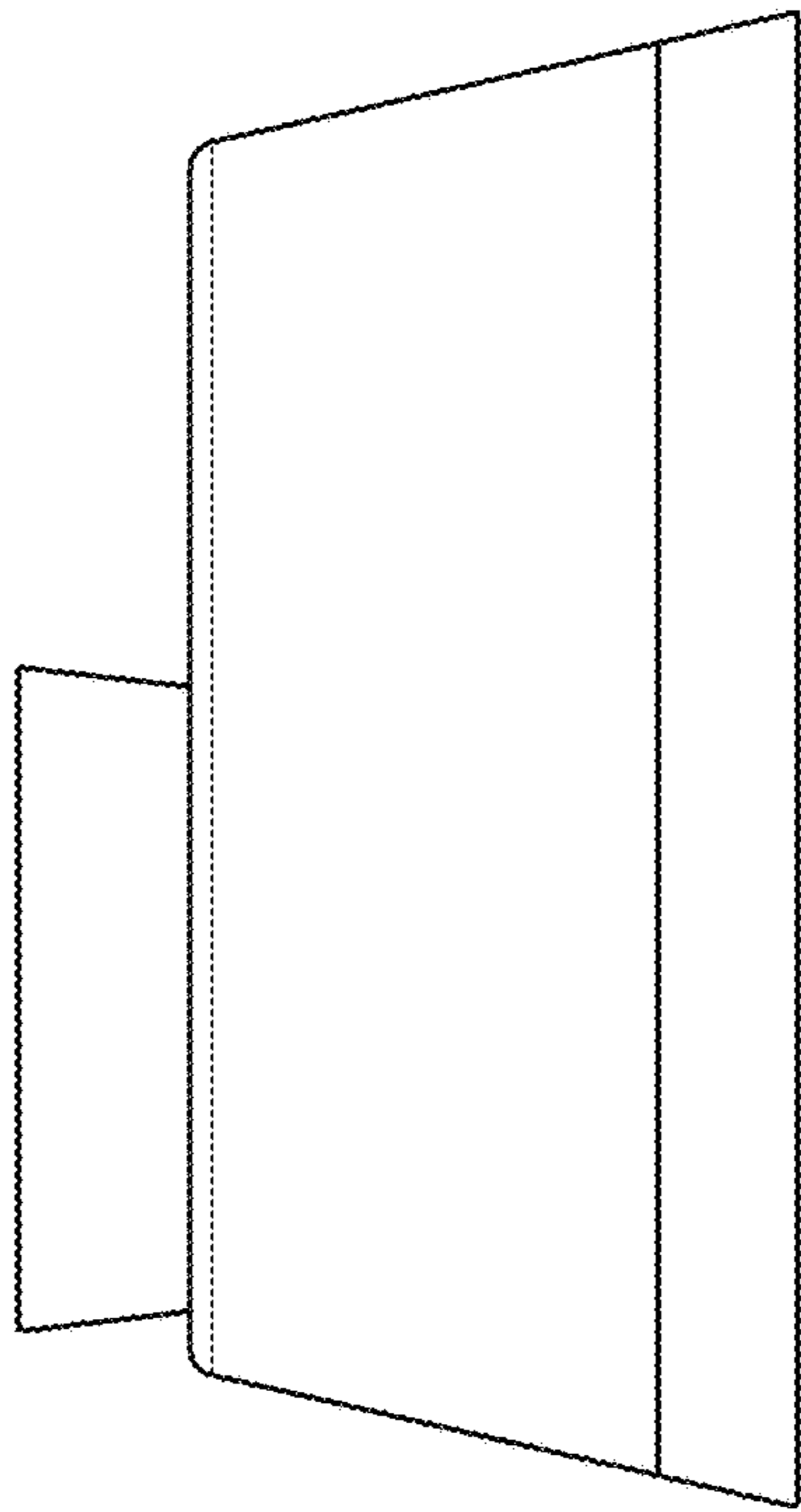


FIG. 8

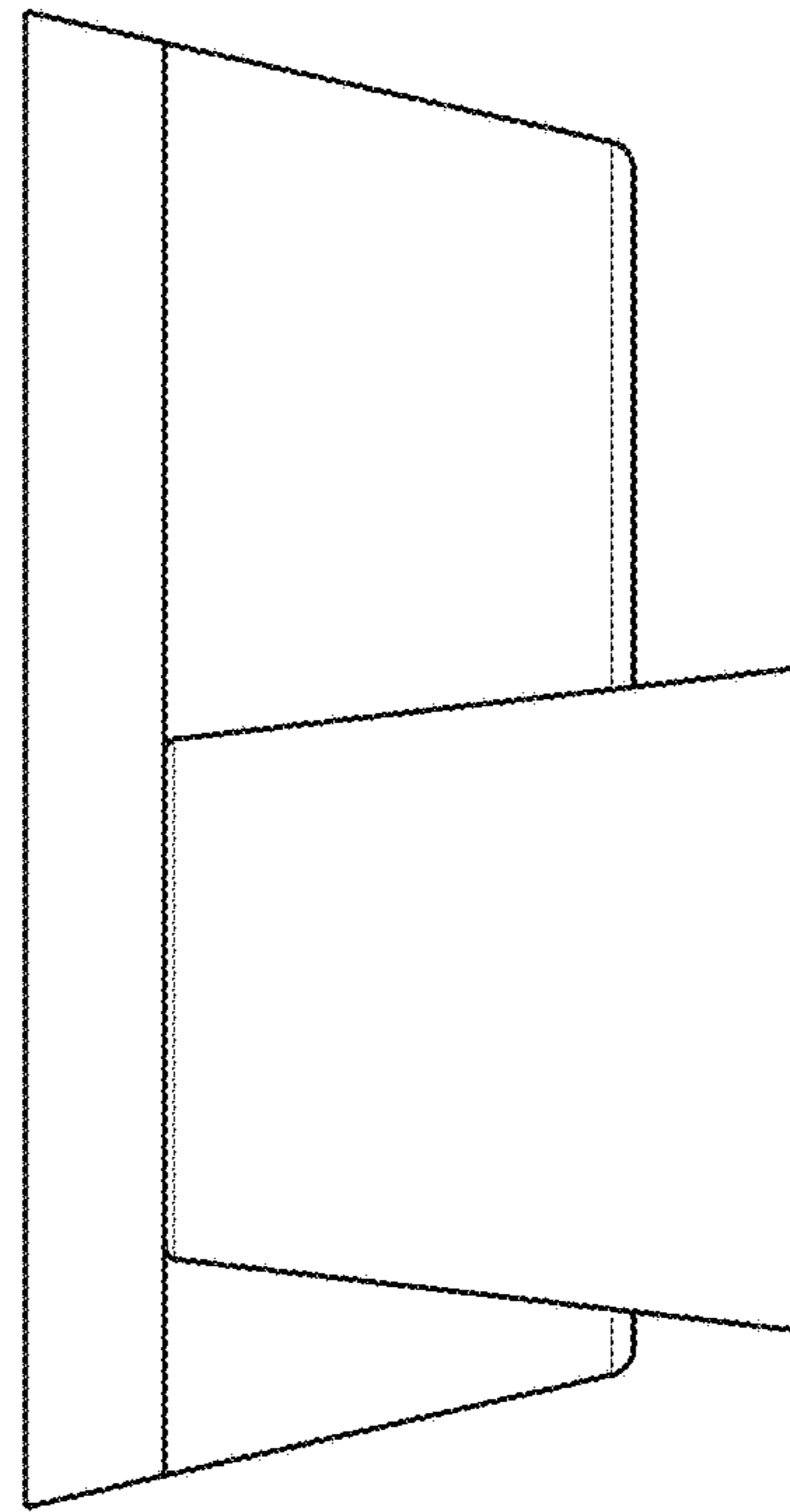


FIG. 9