



US00D857657S

(12) **United States Design Patent**  
**Skinner et al.**

(10) **Patent No.:** **US D857,657 S**

(45) **Date of Patent:** **\*\* Aug. 27, 2019**

(54) **HEADSET**

(71) Applicant: **Hewlett-Packard Development Company, L.P.**, Houston, TX (US)

(72) Inventors: **David N. Skinner**, Palo Alto, CA (US);  
**Siddhartha Bhat**, Palo Alto, CA (US);  
**Glenn A. Wong**, Houston, TX (US);  
**Kevin L. Massaro**, Houston, TX (US)

(73) Assignee: **Hewlett-Packard Development Company, L.P.**, Spring, TX (US)

(\*\*) Term: **15 Years**

(21) Appl. No.: **29/638,424**

(22) Filed: **Feb. 27, 2018**

(51) **LOC (12) Cl.** ..... **14-01**

(52) **U.S. Cl.**  
USPC ..... **D14/206**; D14/226

(58) **Field of Classification Search**  
USPC ..... D14/206, 226, 188, 192, 372; D29/112;  
2/209; 181/129, 130, 135; 379/430, 431;  
381/380, 381, 374; 455/90.3, 575.1,  
455/569.1; 345/7, 8  
CPC .... H04R 1/1066; H04R 1/1016; H04R 5/033;  
H04R 5/0335; H04R 1/1091; H04R  
1/105; H04R 25/00

See application file for complete search history.

(56) **References Cited**

**U.S. PATENT DOCUMENTS**

D237,307 S *	10/1975	Miyamoto	.....	D14/192
D286,632 S *	11/1986	Teunis	.....	D14/205
D317,767 S *	6/1991	Banks	.....	D14/205
D340,033 S *	10/1993	Okumura	.....	D14/192
D342,947 S *	1/1994	Totsuka	.....	D14/192
D366,045 S *	1/1996	Hirschhorn	.....	D14/209
D442,340 S *	5/2001	Leight	.....	D29/112
D584,715 S *	1/2009	Brennwald	.....	D14/205

D597,072 S *	7/2009	Asai	.....	D14/206
D625,703 S *	10/2010	Kolton	.....	D14/205
D632,667 S *	2/2011	Martin	.....	D14/205

(Continued)

**OTHER PUBLICATIONS**

Peak, S., Logitech Artemis Spectrum G933/G633 Headset Review, (Research Paper), Feb. 23, 2016.

(Continued)

*Primary Examiner* — Paula Allen Greene

(74) *Attorney, Agent, or Firm* — Morgan Lewis & Bockius

(57) **CLAIM**

The ornamental design for a headset, as shown and described.

**DESCRIPTION**

FIG. 1 is a front perspective view of an embodiment of a headset in accordance with our new design;

FIG. 2 is a front elevational view of the headset shown in FIG. 1;

FIG. 3 is a rear elevational view of the headset shown in FIG. 1;

FIG. 4 is a right-side elevational view of the headset shown in FIG. 1;

FIG. 5 is a left-side elevational view of the headset shown in FIG. 1;

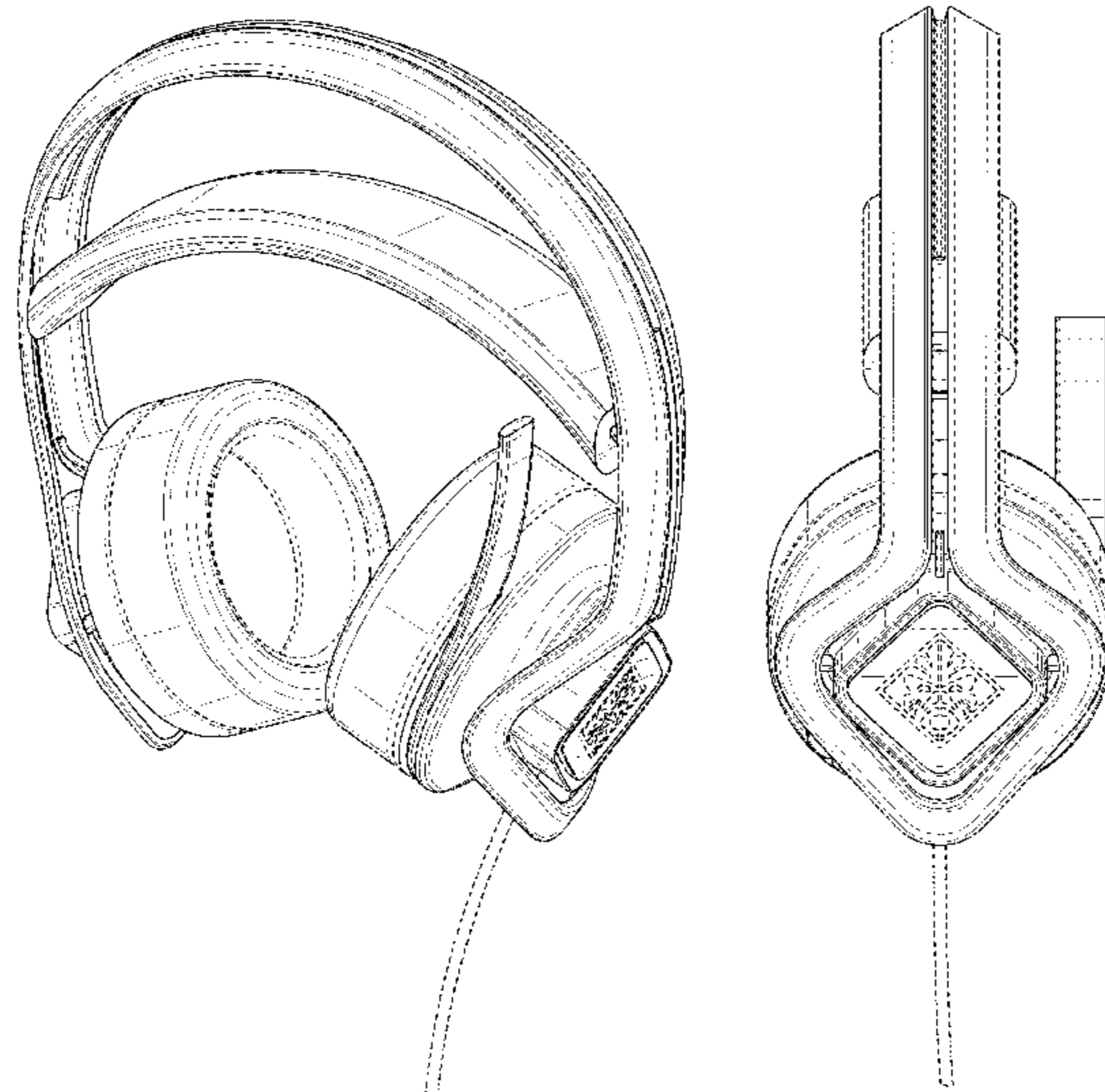
FIG. 6 is a top plan view of the headset shown in FIG. 1;

FIG. 7 is a bottom plan view of the headset shown in FIG. 1; and,

FIG. 8 is a front perspective view of the headset shown in FIG. 1 with the microphone boom in a lowered position.

The broken lines immediately adjacent the shaded area represent the bounds of the claimed design while all other broken lines are directed to environment and are for illustrative purposes only; the broken lines form no part of the claimed design.

**1 Claim, 8 Drawing Sheets**



(56)

References Cited

U.S. PATENT DOCUMENTS

8,139,807 B2 \* 3/2012 Reiss ..... H04R 1/1083  
 381/371  
 8,295,529 B2 \* 10/2012 Petersen ..... H04R 1/083  
 381/371  
 D680,516 S \* 4/2013 Lee ..... D14/205  
 D685,763 S \* 7/2013 Lee ..... D14/205  
 D689,464 S \* 9/2013 Bonahoom ..... D14/206  
 D691,579 S \* 10/2013 Lee ..... D14/205  
 D697,495 S \* 1/2014 Lian ..... D14/205  
 D697,895 S \* 1/2014 Lee ..... D14/205  
 D697,896 S \* 1/2014 Lee ..... D14/205  
 D699,216 S \* 2/2014 Bonahoom ..... D14/205  
 D700,590 S \* 3/2014 Heath ..... D14/205  
 D713,817 S \* 9/2014 Paterson ..... D14/205  
 D714,756 S \* 10/2014 Xiang ..... D14/205  
 D716,255 S \* 10/2014 Cho ..... D14/205  
 D716,256 S \* 10/2014 Ang ..... D14/205  
 D717,276 S \* 11/2014 Zhou ..... D14/205  
 D727,288 S \* 4/2015 Yamasaki ..... D14/205  
 D733,677 S \* 7/2015 Ling ..... D14/206  
 D734,736 S \* 7/2015 Jin ..... D14/206  
 D741,286 S \* 10/2015 Brennwald ..... D14/205  
 D752,018 S \* 3/2016 Gondo ..... D14/205

D772,842 S \* 11/2016 Sharp ..... D14/205  
 D782,999 S \* 4/2017 Spio ..... D14/206  
 D791,734 S \* 7/2017 Ou ..... D14/206  
 D820,813 S \* 6/2018 Sharp ..... D14/206  
 D824,362 S \* 7/2018 Probst ..... D14/206  
 D836,085 S \* 12/2018 Sun ..... D14/206  
 D840,977 S \* 2/2019 Pu ..... D14/206  
 D843,348 S \* 3/2019 Burgess ..... D14/206  
 D843,349 S \* 3/2019 Burgess ..... D14/206  
 2005/0105755 A1 \* 5/2005 Yueh ..... H04R 1/1041  
 381/371  
 2016/0198254 A1 7/2016 Gecawicz et al.

OTHER PUBLICATIONS

Enhance GX-H3 Computer Gaming Headset Microphone & In-Line Controls—Over Ear Design, Plush Earpads & Headband, & 3.5mm AUX—Great for League of Legends , PUBG , & More, (Research Paper), Jul. 26, 2017.  
 Corden, J., Astro A50 (2016) wireless gaming headset review: life without wires is simply better, (Research Paper), Dec. 5, 2016.  
 Acevedo, P., Corsair Void SE Wireless Gaming Headset Review, (Research Paper), Sep. 10, 2015.

\* cited by examiner



FIG. 1

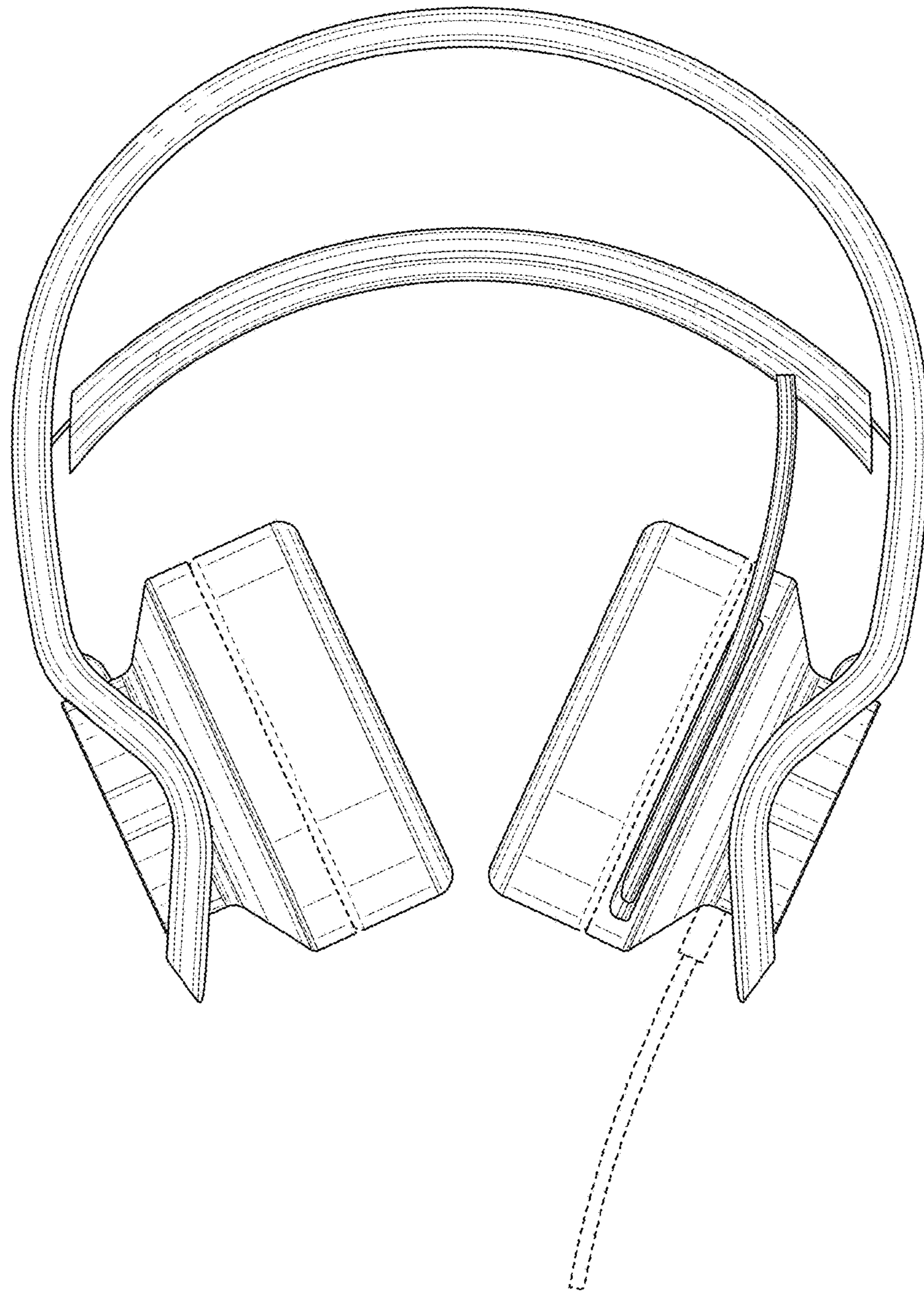


FIG. 2

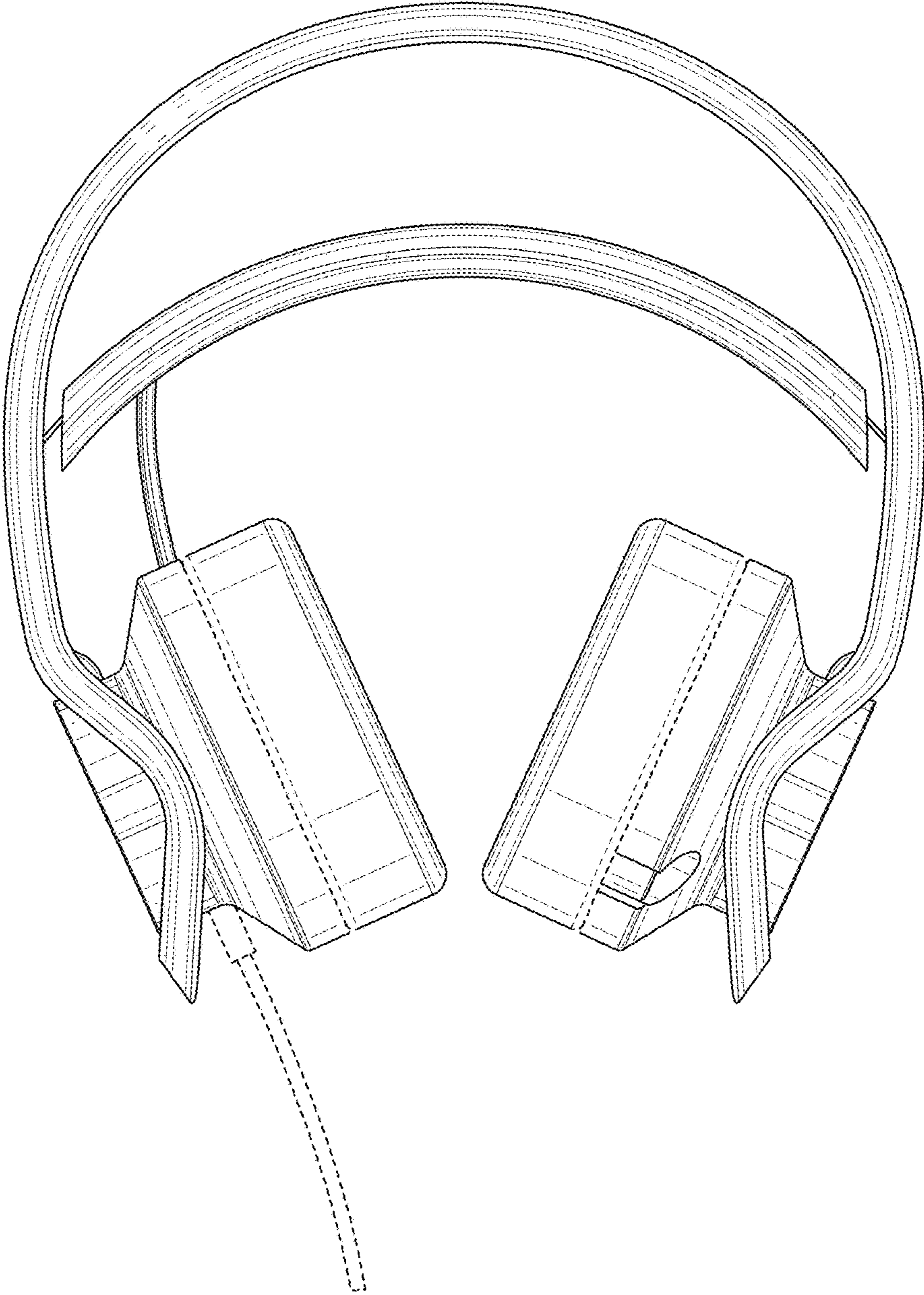


FIG. 3

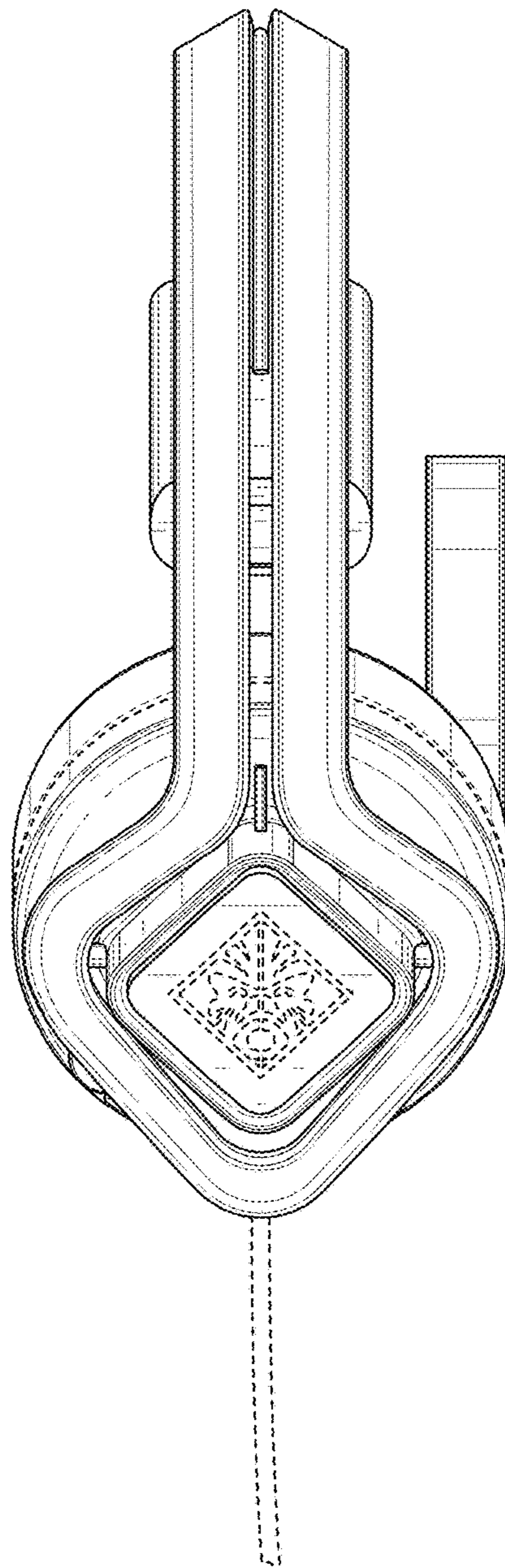


FIG. 4

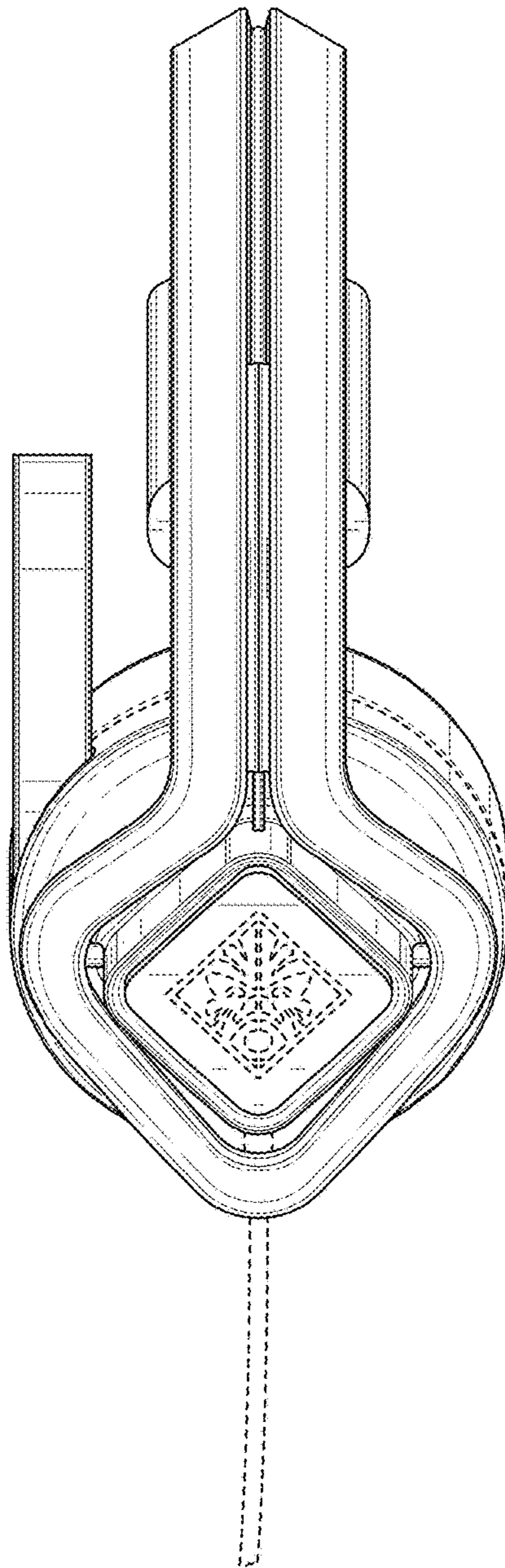


FIG. 5

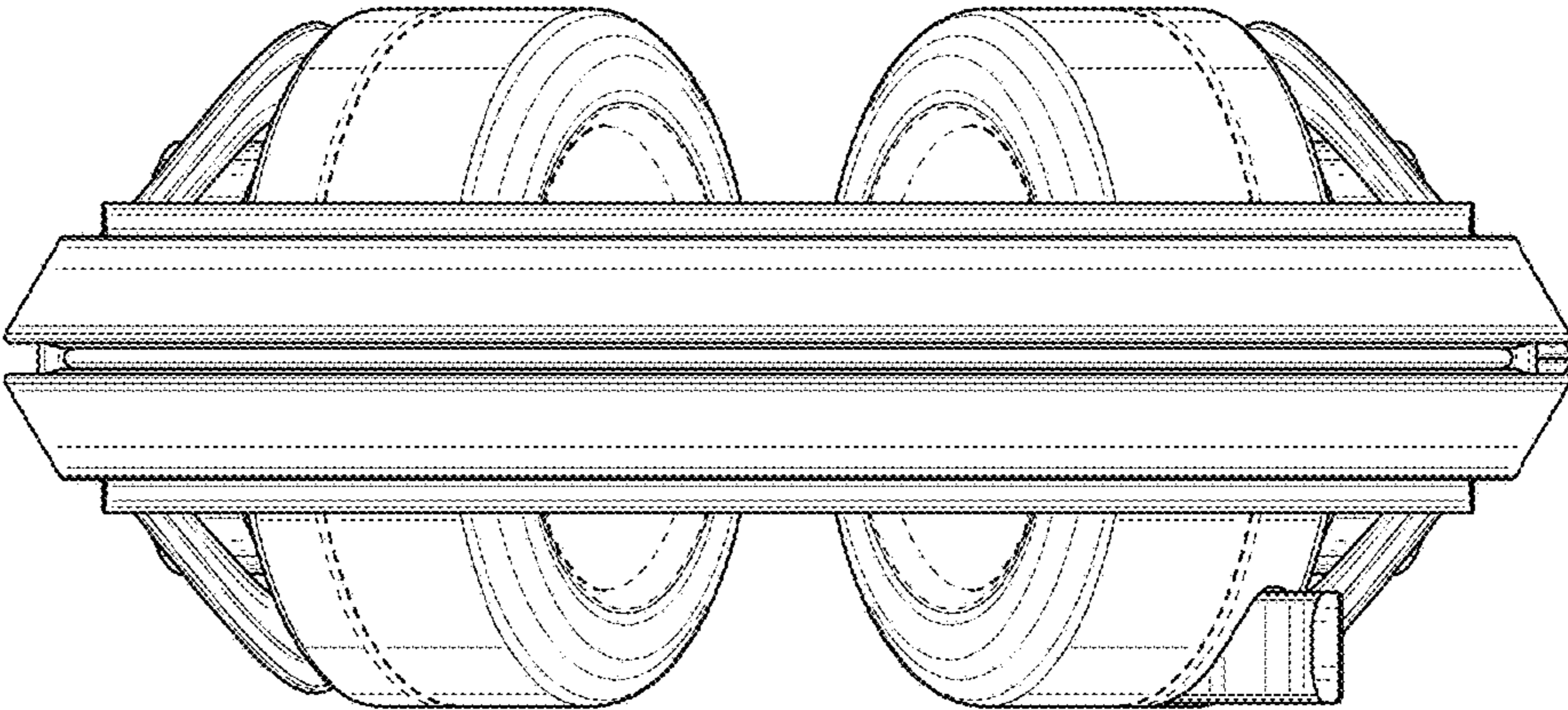


FIG. 6



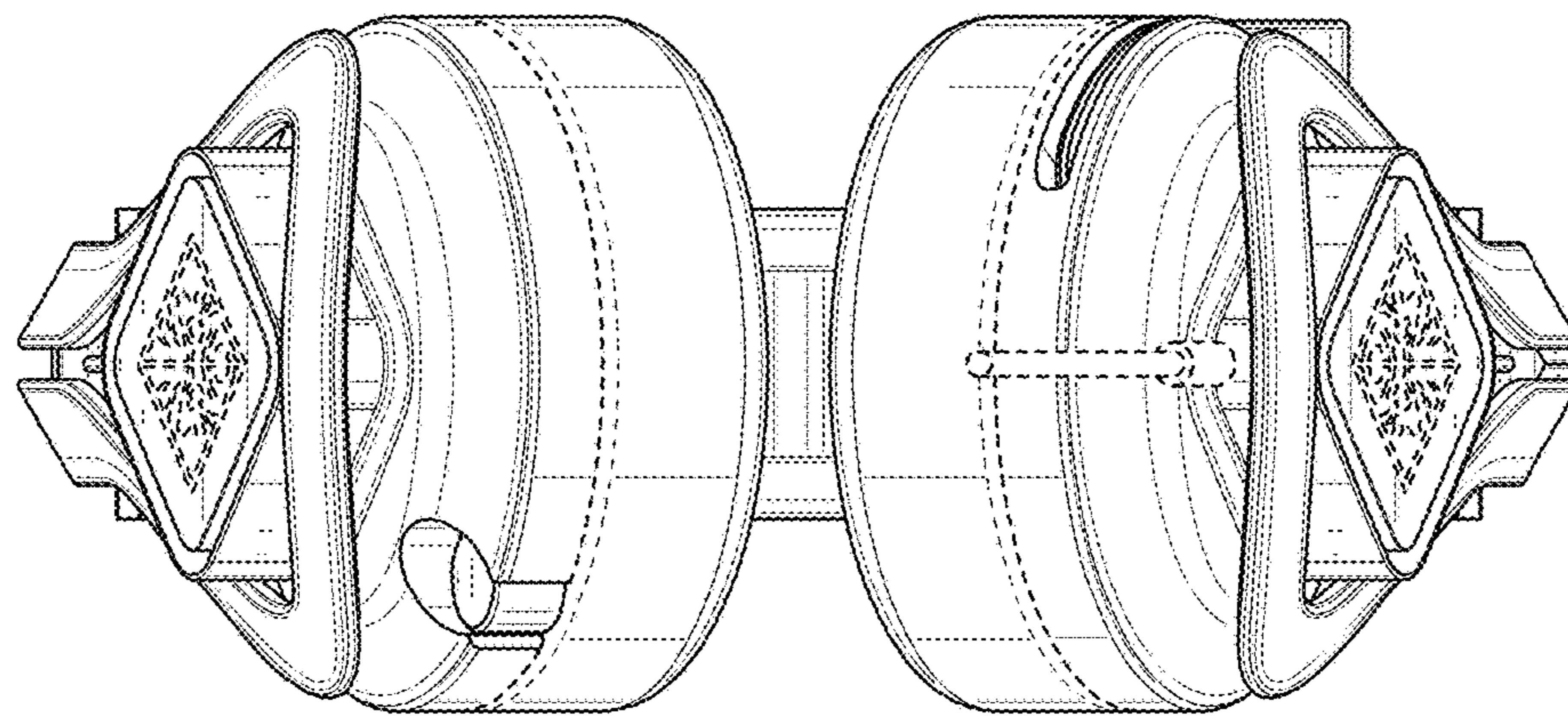


FIG. 7

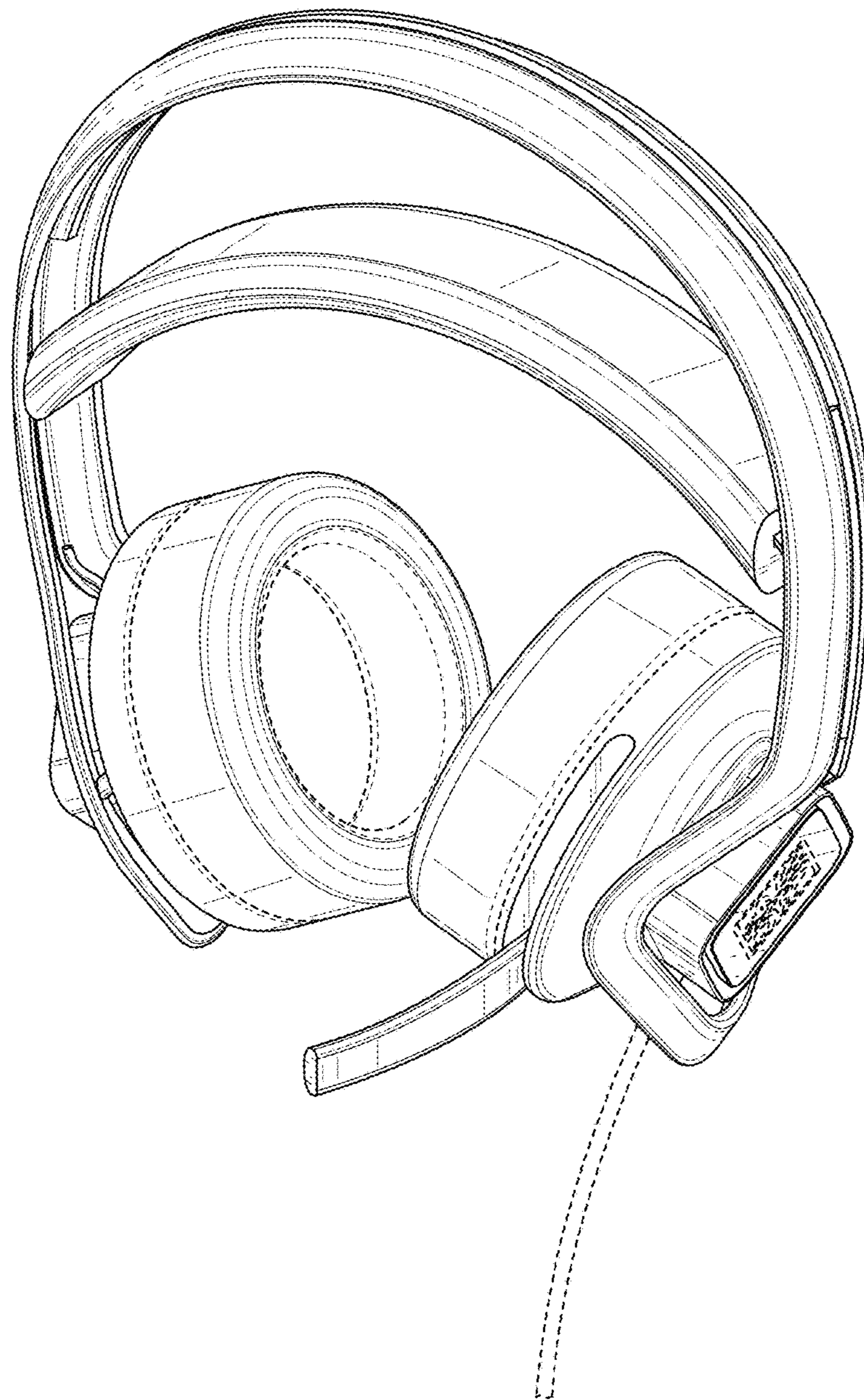


FIG. 8