



US00D857656S

(12) **United States Design Patent**
Ipsen et al.

(10) **Patent No.:** **US D857,656 S**
(45) **Date of Patent:** **** Aug. 27, 2019**

(54) **HEADSET WITH ADJUSTABLE CONTACT PRESSURE (ACP) INCLUDING A SPRING SYSTEM**

(71) Applicant: **Sennheiser Communications A/S, Ballerup (DK)**

(72) Inventors: **Klaus Sommer Ipsen, Ballerup (DK); Lars Elliot Nyegaard, Ballerup (DK); Peter Vestergaard Værum, Ballerup (DK); Andreas Jessen, Ballerup (DK); Bo Skjoldborg, Ballerup (DK)**

(73) Assignee: **SENNHEISER COMMUNICATIONS A/S, Ballerup (DK)**

(**) Term: **15 Years**

(21) Appl. No.: **29/638,413**

(22) Filed: **Feb. 27, 2018**

(30) **Foreign Application Priority Data**

Aug. 29, 2017 (EM) 004169779-0001
Aug. 29, 2017 (EM) 004169779-0002

(51) **LOC (12) Cl.** **14-01**

(52) **U.S. Cl.**
USPC **D14/206; D14/226**

(58) **Field of Classification Search**
USPC D14/206, 205, 188, 192, 372, 225, 226;
D29/112; 2/209; 181/129, 130, 135;
379/430, 431; 381/380, 381, 374;
455/90.3, 569.1, 575.1

CPC H04R 25/00; H04R 1/1083; H04R 1/1066;
H04R 1/1016; H04R 5/033; H04R 5/0335

See application file for complete search history.

(56) **References Cited**

U.S. PATENT DOCUMENTS

3,272,926 A * 9/1966 Falkenberg H04R 1/1008
381/370
3,454,964 A * 7/1969 Brinkhoff A61F 11/14
2/209

D254,183 S * 2/1980 Doodson D14/205
D266,273 S * 9/1982 Bass D21/632
D313,092 S * 12/1990 Nilsson D14/205
D322,071 S * 12/1991 Bergin D14/205
5,185,807 A * 2/1993 Bergin H04R 1/1066
181/128
D375,584 S * 11/1996 Westerdal D29/112
D409,197 S * 5/1999 Nakamura D14/205
6,016,347 A * 1/2000 Magnasco H04R 1/1041
379/430
D449,290 S * 10/2001 Taylor D14/206
6,678,897 B2 * 1/2004 Lindgren A61F 11/14
181/129
6,724,906 B2 * 4/2004 Naksen H04R 1/1066
381/370
D512,708 S * 12/2005 Harris, Jr. D14/205
D566,688 S * 4/2008 Wang D14/206

(Continued)

Primary Examiner — Paula Allen Greene

(74) *Attorney, Agent, or Firm* — Birch, Stewart, Kolasch & Birch, LLP

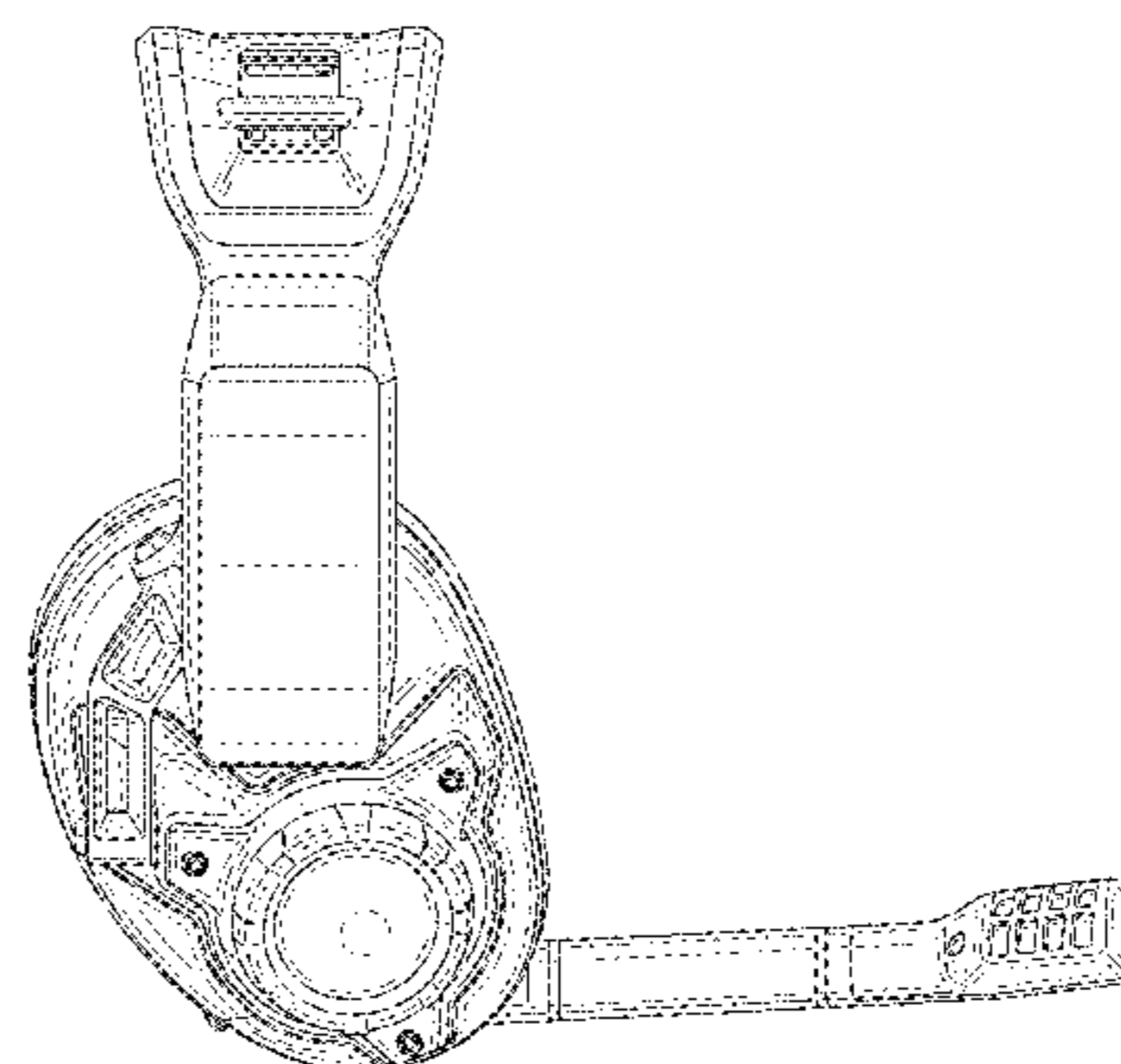
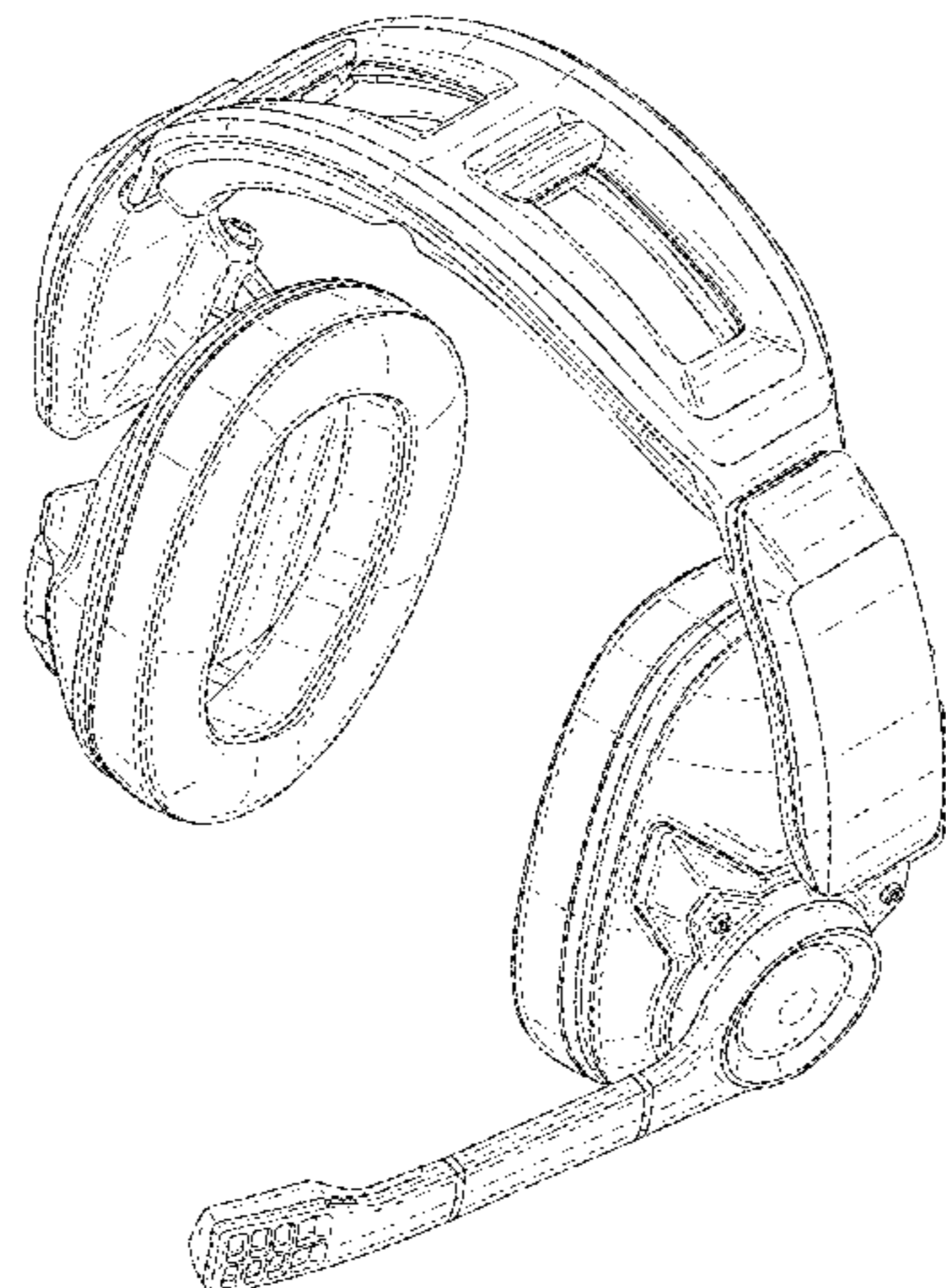
(57) **CLAIM**

The ornamental design for a headset with adjustable contact pressure (ACP) including a spring system, as shown and described.

DESCRIPTION

FIG. 1 is a perspective view of the headset with adjustable contact pressure (ACP) including a spring system;
FIG. 2 is a front view thereof;
FIG. 3 is a rear view thereof;
FIG. 4 is a left side view thereof;
FIG. 5 is a right side view thereof;
FIG. 6 is a top view thereof; and,
FIG. 7 is a bottom view thereof.

1 Claim, 7 Drawing Sheets



(56)

References Cited

U.S. PATENT DOCUMENTS

D573,581 S * 7/2008 Gondo D14/205
 D584,715 S * 1/2009 Brennwald D14/205
 D592,639 S * 5/2009 Kuh D14/205
 D594,847 S * 6/2009 Suzuki D14/205
 D613,266 S * 4/2010 Barry D14/205
 D617,771 S * 6/2010 Groves D14/205
 D635,958 S * 4/2011 Ando D14/205
 D638,397 S * 5/2011 McManigal D14/205
 D641,727 S * 7/2011 Krauss D14/206
 D651,586 S * 1/2012 Lee D14/205
 D652,017 S * 1/2012 Groves D14/206
 8,139,807 B2 * 3/2012 Reiss H04R 1/1083
 381/371
 D672,745 S * 12/2012 Abed D14/205
 D673,519 S * 1/2013 Tan D14/205
 D691,111 S * 10/2013 Lee D14/206
 D706,244 S * 6/2014 Goransson D14/225
 D707,200 S * 6/2014 Yang H04R 1/1066
 D14/205
 D713,375 S * 9/2014 Dedinas D14/206
 D729,196 S * 5/2015 Liu D14/205
 9,036,849 B2 * 5/2015 Thompson H04R 1/083
 381/122
 D740,256 S * 10/2015 Carr D14/206
 D741,286 S * 10/2015 Brennwald D14/205

D766,207 S * 9/2016 Paterson D14/205
 D766,208 S * 9/2016 Paterson D14/205
 D778,258 S * 2/2017 Hsu D14/205
 D787,470 S * 5/2017 Kelly D14/205
 D788,071 S * 5/2017 Logan D14/205
 D790,506 S * 6/2017 Broadley D14/206
 D800,092 S * 10/2017 Paterson D14/206
 D815,614 S * 4/2018 Tzeng D14/205
 D820,813 S * 6/2018 Sharp D14/206
 D824,362 S * 7/2018 Probst D14/206
 D826,900 S * 8/2018 Jensen D14/206
 D831,000 S * 10/2018 Chong D14/206
 D836,600 S * 12/2018 Lee D14/206
 D840,977 S * 2/2019 Pu D14/206
 D841,620 S * 2/2019 Liu D14/206
 D843,348 S * 3/2019 Burgess D14/206
 D843,349 S * 3/2019 Burgess D14/206
 2001/0017925 A1 * 8/2001 Ceravolo H04M 1/05
 381/370
 2010/0040252 A1 * 2/2010 Thompson H04R 1/083
 381/375
 2011/0194721 A1 * 8/2011 Schmidt H04R 1/1066
 381/370
 2013/0319788 A1 * 12/2013 Franzen A61F 11/14
 181/129
 2016/0286019 A1 * 9/2016 Broadley H04M 1/6058
 2017/0019728 A1 * 1/2017 Cochran H04R 5/0335

* cited by examiner

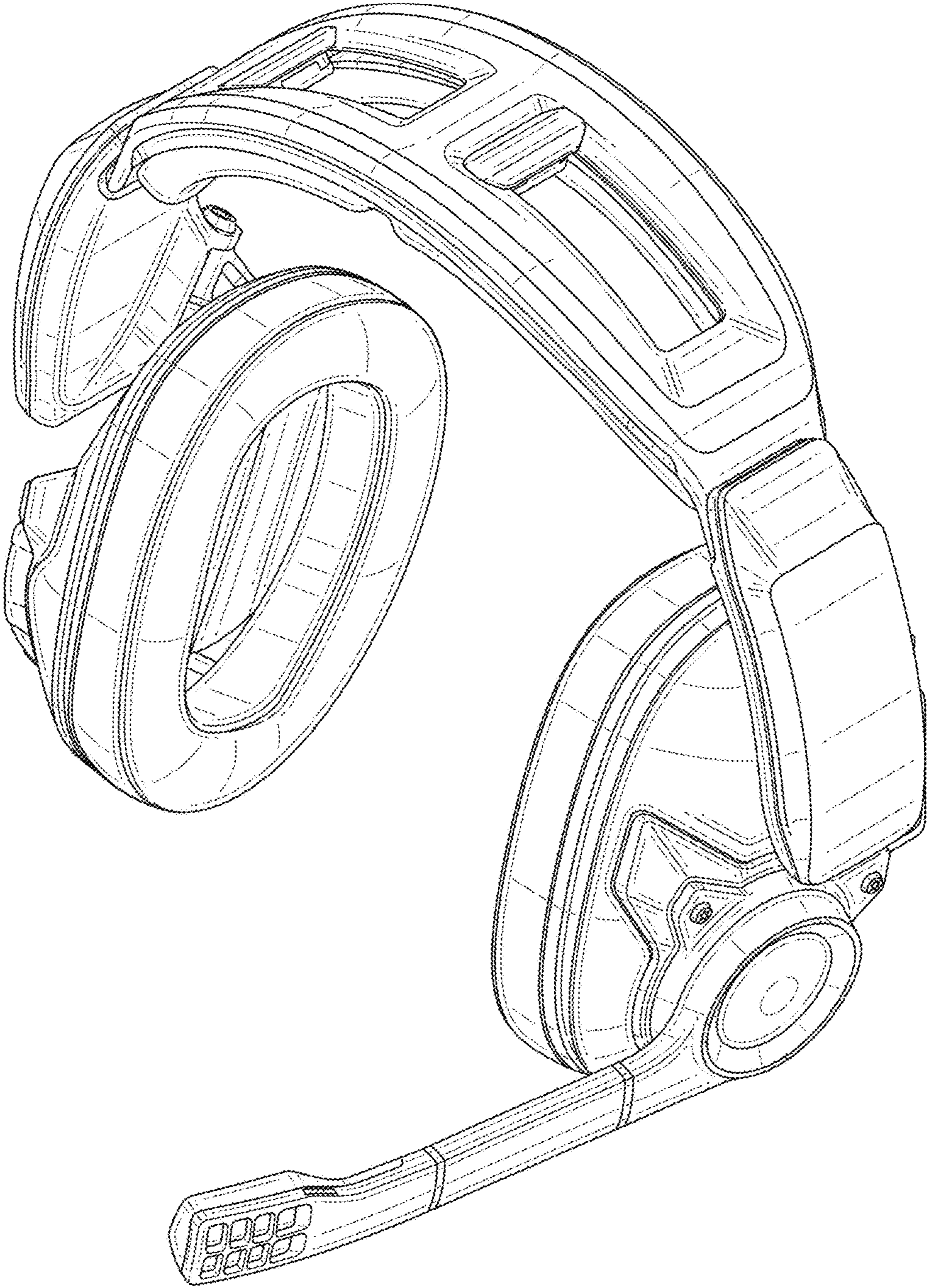


FIG. 1



FIG. 2



FIG. 3

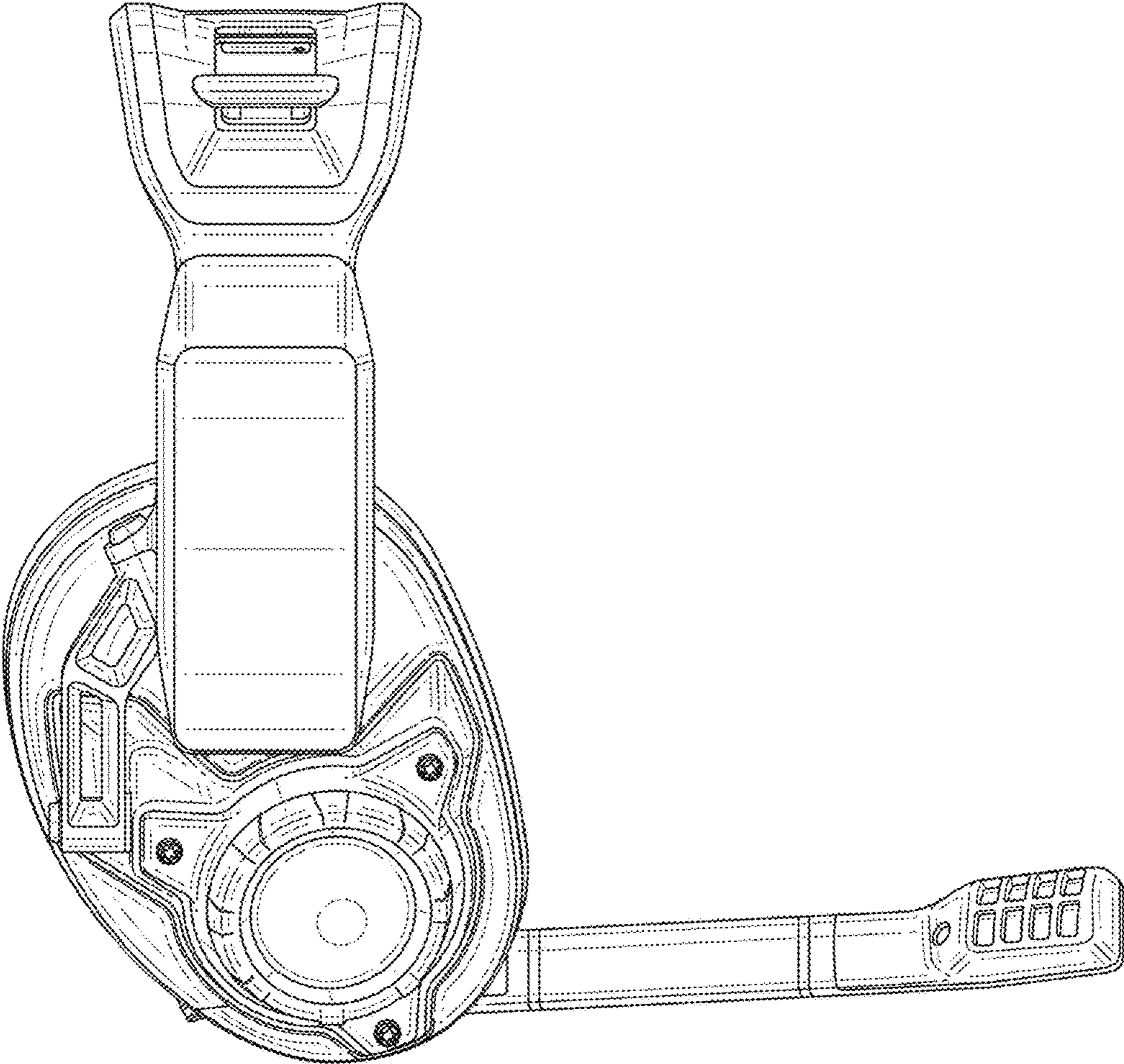


FIG. 4

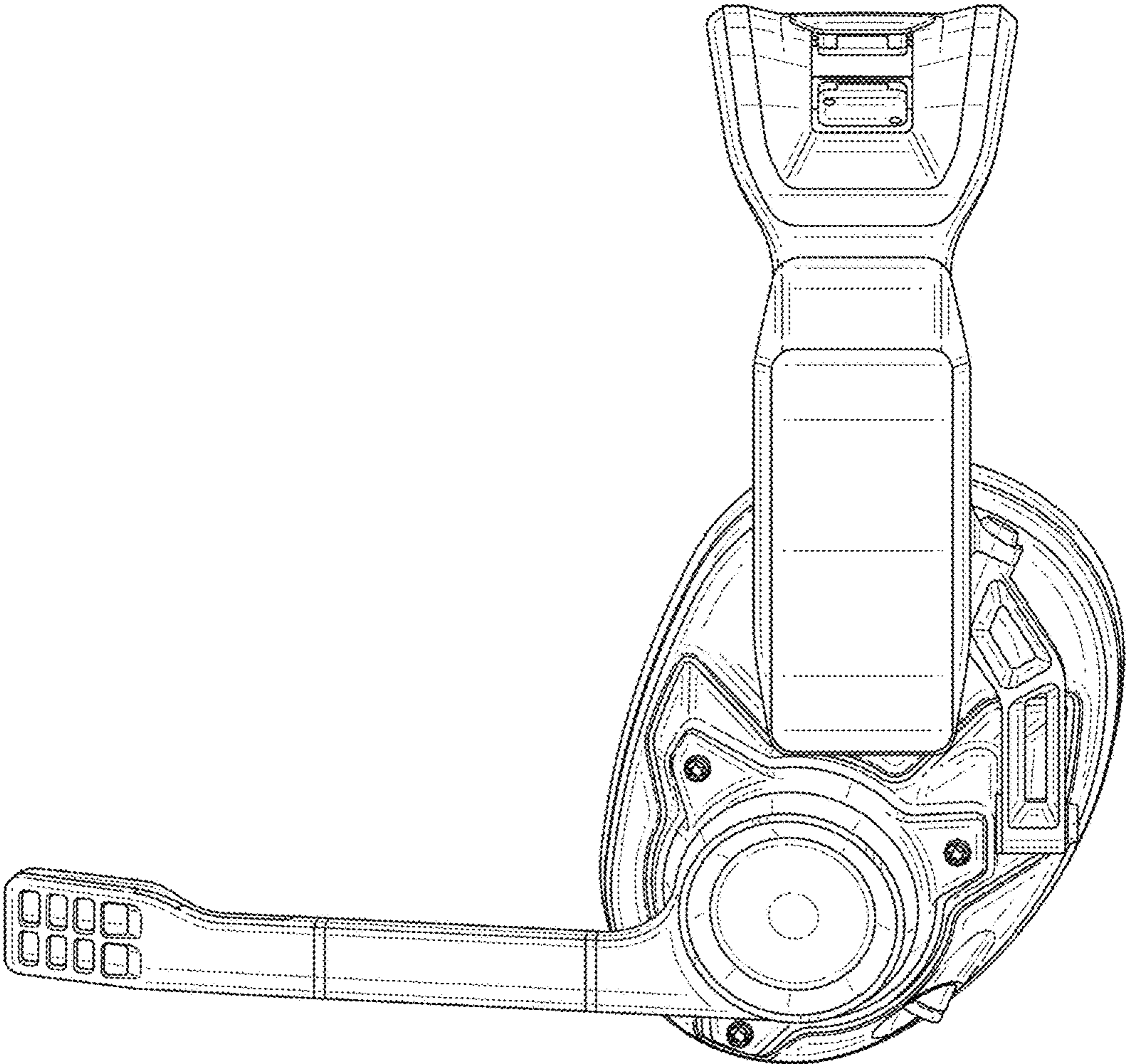


FIG. 5

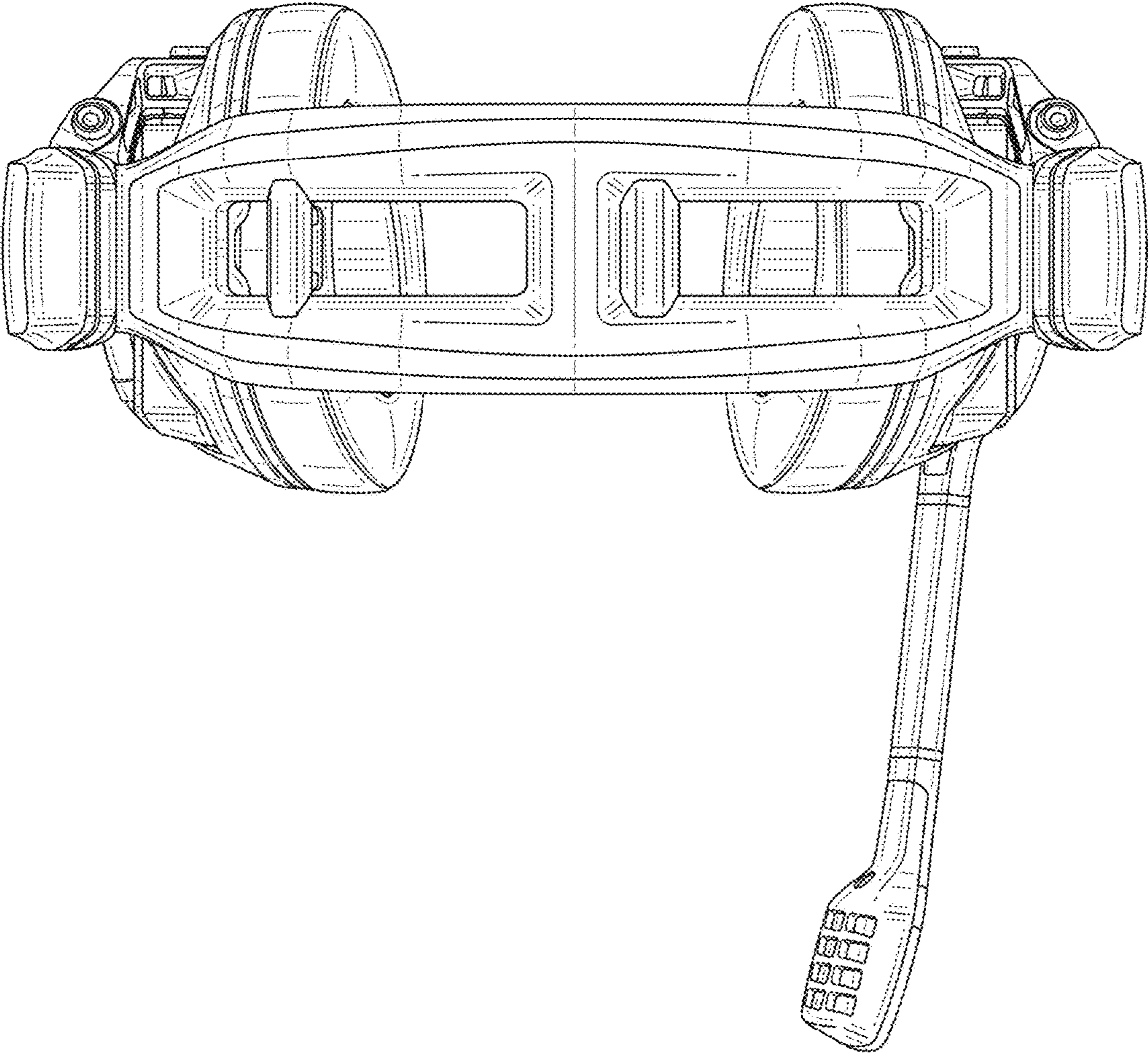


FIG. 6

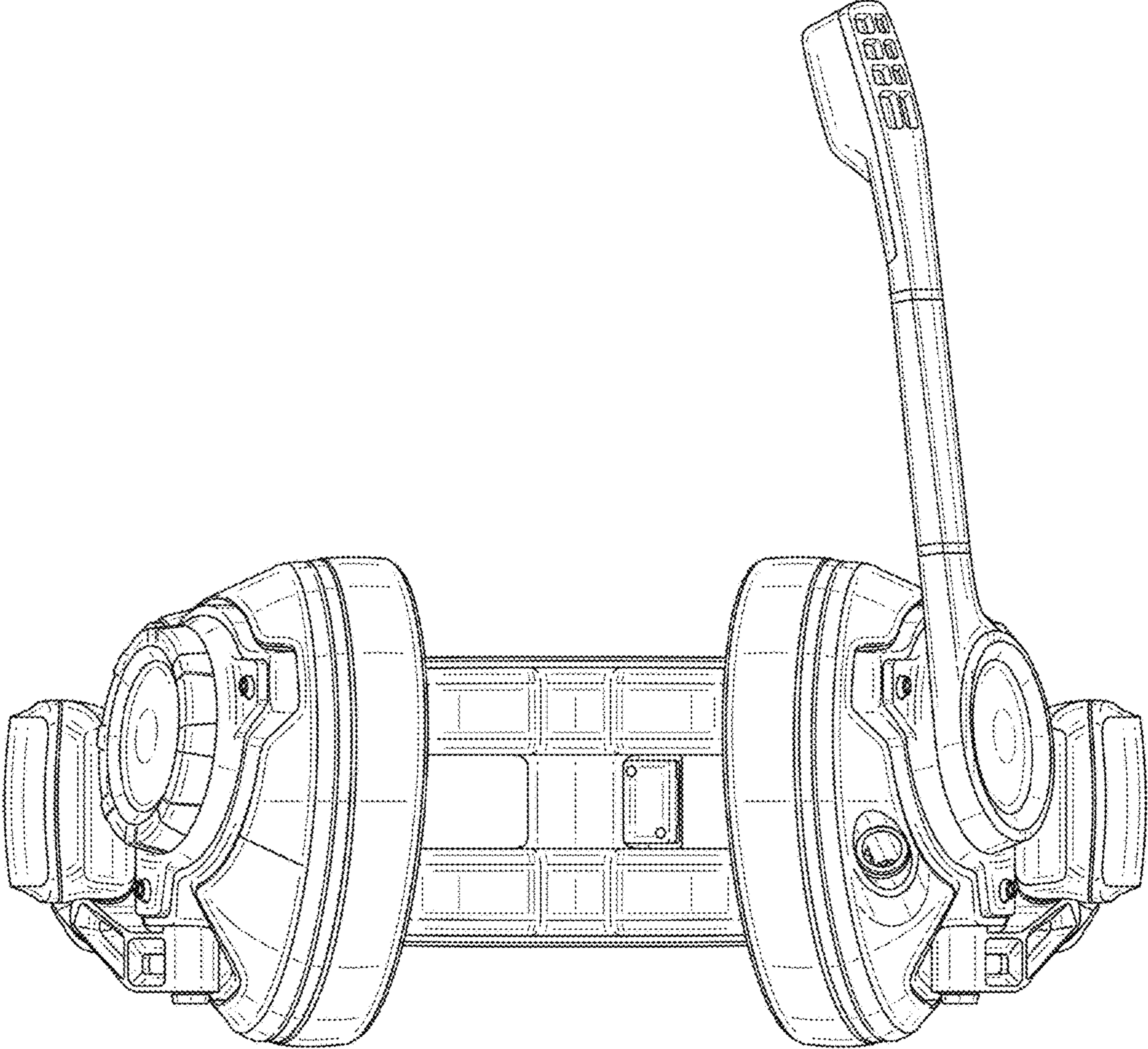


FIG. 7