



(12) **United States Design Patent** (10) **Patent No.:** **US D857,655 S**  
**Saule et al.** (45) **Date of Patent:** **\*\* Aug. 27, 2019**

(54) **HEADPHONES**

(71) Applicant: **Dolby Laboratories Licensing Corporation**, San Francisco, CA (US)

(72) Inventors: **Lucas E. Saule**, San Francisco, CA (US); **Vincent Voron**, Menlo Park, CA (US); **Peter Michaelian**, Tappan, NY (US); **Guangyu Jin**, San Francisco, CA (US); **Kevin J. Kilpatrick**, Mountain View, CA (US); **Branko Lukic**, Menlo Park, CA (US); **Steven Ryutaro Takayama**, Menlo Park, CA (US); **Grayson H. Byrd**, San Francisco, CA (US); **Adam Scott Koniak**, Redwood City, CA (US); **Ariel Laurent Fischer**, San Francisco, CA (US); **Robert Edward Borchers**, Pleasanton, CA (US)

(73) Assignee: **Dolby Laboratories Licensing Corporation**, San Francisco, CA (US)

(\*\*) Term: **15 Years**

(21) Appl. No.: **29/638,590**

(22) Filed: **Feb. 28, 2018**

**Related U.S. Application Data**

(63) Continuation of application No. 29/556,705, filed on Mar. 2, 2016, now abandoned.

(51) **LOC (12) Cl.** ..... **14-01**

(52) **U.S. Cl.**  
 USPC ..... **D14/205**

(58) **Field of Classification Search**  
 USPC ..... D14/205, 188, 192; D29/112; 2/209; 181/129, 130, 135; 379/430, 431;  
 (Continued)

(56) **References Cited**

U.S. PATENT DOCUMENTS

2,420,245 A 5/1947 Hurst  
 2,437,049 A 3/1948 Salisbury et al.  
 (Continued)

FOREIGN PATENT DOCUMENTS

JP D1394497 8/2010  
 JP D1454341 11/2012

OTHER PUBLICATIONS

U.S. Appl. No. 29/556,706 to Saule et al., titled "Headphones", filed Mar. 2, 2016 (unpublished).  
 (Continued)

*Primary Examiner* — Paula Allen Greene  
 (74) *Attorney, Agent, or Firm* — Saidman DesignLaw Group, LLC

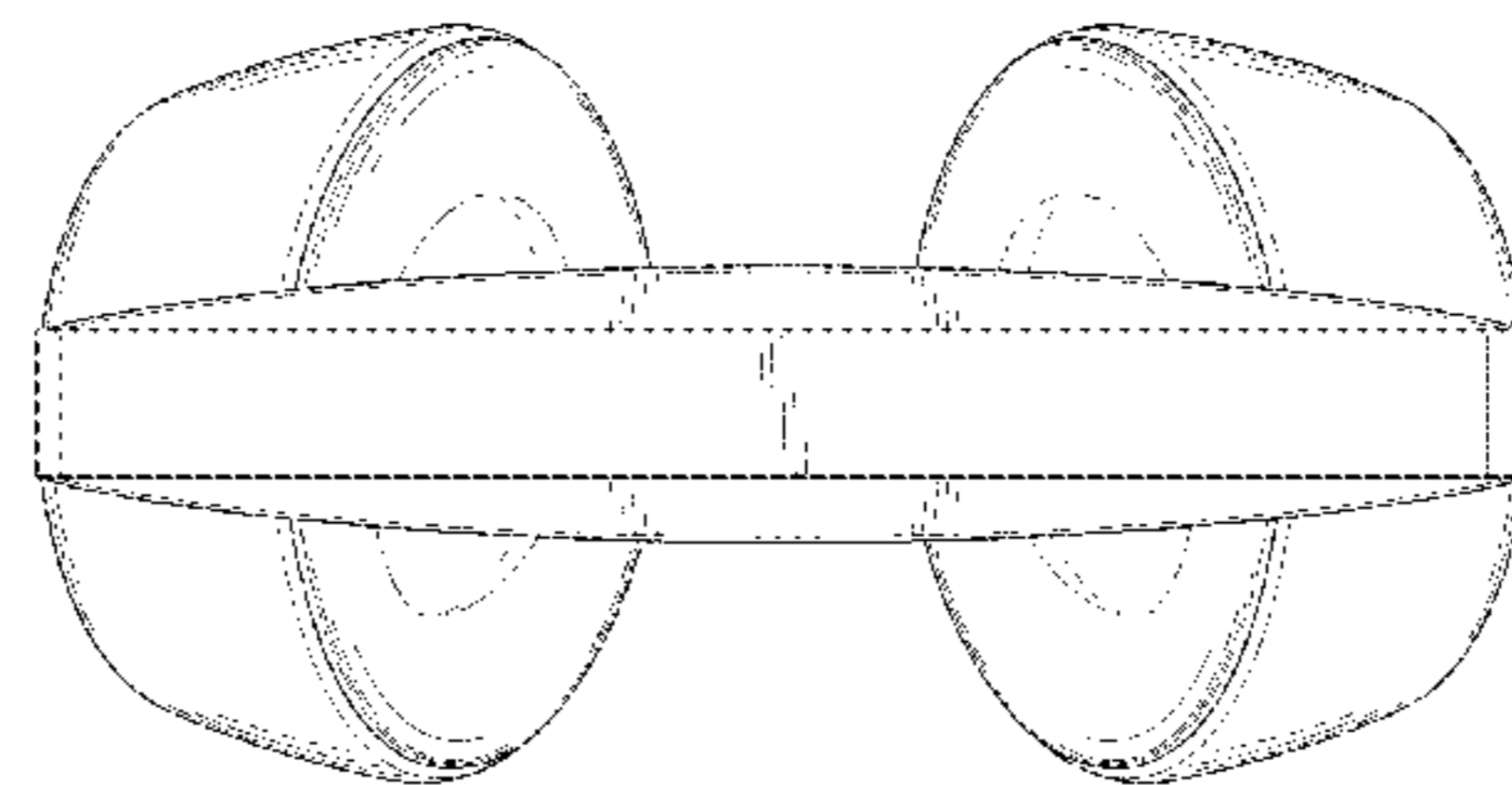
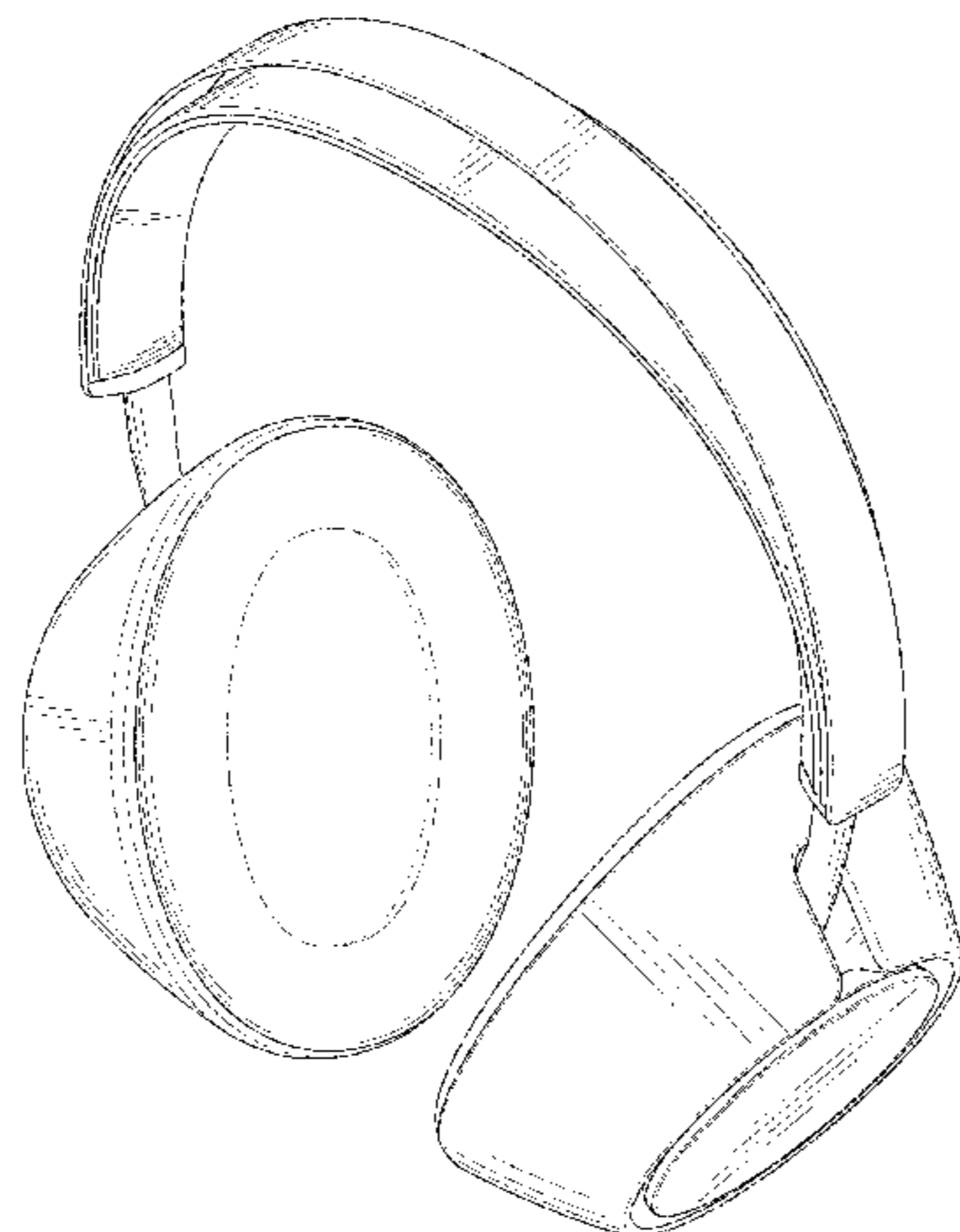
(57) **CLAIM**

The ornamental design for headphones, as shown and described.

**DESCRIPTION**

FIG. 1 shows a perspective view of headphones showing our new design;  
 FIG. 2 shows another perspective view thereof;  
 FIG. 3 shows a front view thereof;  
 FIG. 4 shows a rear view thereof;  
 FIG. 5 shows a top thereof; and,  
 FIG. 6 shows a bottom view thereof.  
 The dashed broken lines illustrate structure or features which form no part of the claimed design.

(Continued)



The dot-dash broken lines illustrate boundaries of the claimed design; the boundaries themselves form no part of the claimed design.

**1 Claim, 5 Drawing Sheets**

**(58) Field of Classification Search**

USPC ..... 381/380, 381, 374; 455/90.3, 575.1, 455/569.1  
 CPC .... H04R 1/1016; H04R 1/1066; H04R 5/033; H04R 5/0335; H04R 25/00  
 See application file for complete search history.

**(56) References Cited**

U.S. PATENT DOCUMENTS

2,754,519	A	7/1956	Kindel	
2,782,423	A	2/1957	Simon et al.	
3,440,663	A *	4/1969	Beguín .....	A61F 11/14 2/209
3,505,684	A	4/1970	Hutchison et al.	
3,562,816	A	2/1971	Hutchison	
D228,352	S	9/1973	Itagaki	
D229,833	S	1/1974	Becker	
D246,259	S	11/1977	Nishimura et al.	
4,403,120	A	9/1983	Yoshimi	
4,471,496	A	9/1984	Gardner, Jr. et al.	
4,472,607	A	9/1984	Houng	
4,597,469	A *	7/1986	Nagashima .....	H04R 5/0335 181/129
D300,133	S	3/1989	Daidoh et al.	
5,018,599	A	5/1991	Dohi et al.	
D317,767	S	6/1991	Banks	
D331,059	S	11/1992	Sogabe et al.	
5,293,647	A *	3/1994	Mirmilshteyn .....	H04R 1/10 2/209
D358,388	S	5/1995	Nakamura et al.	
5,862,241	A	1/1999	Nelson	
D443,870	S	6/2001	Carpenter et al.	
D453,015	S	1/2002	Yuyama	
6,353,938	B1	3/2002	Young	
D467,895	S	12/2002	Hirano	
D484,485	S	12/2003	Matsuoka	
D491,163	S	6/2004	Green	
D504,414	S *	4/2005	Yoshida .....	D14/192
D508,908	S	8/2005	Chueh	
D514,087	S	1/2006	Wilson et al.	
7,020,902	B1 *	4/2006	Tyler .....	A61F 11/14 2/209
D520,492	S	5/2006	Chen	
D534,156	S	12/2006	Obata	
D540,301	S	4/2007	Obata	
D540,302	S	4/2007	Hagiwara et al.	
D541,255	S	4/2007	Taylor et al.	
7,245,735	B2	7/2007	Han	
D571,354	S	6/2008	Ng	
D573,581	S *	7/2008	Gondo .....	D14/205
D582,890	S	12/2008	Koza et al.	
D583,800	S	12/2008	Jaakkola et al.	

D588,098	S	3/2009	Kurihara	
D592,640	S	5/2009	Tkachuk	
D594,847	S *	6/2009	Suzuki .....	D14/205
D597,070	S	7/2009	Zheng	
D633,895	S	3/2011	Morimoto	
D641,725	S	7/2011	Chong et al.	
8,006,320	B1	8/2011	Rohbani	
D654,472	S	2/2012	Fischer	
D657,776	S *	4/2012	Lee .....	D14/205
D663,717	S	7/2012	Hutchieson	
8,295,529	B2 *	10/2012	Petersen .....	H04R 1/083 381/371
8,363,877	B2	1/2013	Morisawa	
D684,141	S	6/2013	Takamoto	
D684,559	S	6/2013	Groset et al.	
D686,593	S	7/2013	Larsen	
D689,464	S	9/2013	Bonahoom et al.	
D691,582	S	10/2013	Nguyen et al.	
8,620,007	B2	12/2013	Lee et al.	
D699,702	S *	2/2014	Chen .....	D14/205
8,755,555	B2	6/2014	Dougherty et al.	
D708,164	S	7/2014	Ishikura	
D711,348	S *	8/2014	Yang .....	D14/205
D713,374	S	9/2014	Farrage	
D722,584	S	2/2015	Chen	
D722,589	S	2/2015	Lu	
D722,998	S	2/2015	Sancho et al.	
D733,090	S	6/2015	Petersen	
D739,842	S *	9/2015	Birger .....	D14/205
D757,680	S	5/2016	Kelly et al.	
D759,626	S	6/2016	Wagner	
D768,111	S	10/2016	Nam et al.	
D769,840	S	10/2016	Henning	
D781,265	S	3/2017	Levine et al.	
D787,469	S	5/2017	Djohar et al.	
D788,071	S	5/2017	Logan	
D790,503	S	6/2017	Lok	
D794,603	S *	8/2017	Riggs .....	D14/205
D809,478	S *	2/2018	Arimoto .....	D14/205
D832,813	S *	11/2018	Levine .....	D14/205
D834,557	S *	11/2018	Hardi .....	D14/205
D838,687	S *	1/2019	Wu .....	D14/205
D843,967	S *	3/2019	Paterson .....	D14/205
2005/0105755	A1 *	5/2005	Yueh .....	H04R 1/1041 381/371
2007/0154051	A1	7/2007	Wang et al.	
2013/0087404	A1	4/2013	Peskar et al.	
2013/0156247	A1	6/2013	Boyajian et al.	

OTHER PUBLICATIONS

U.S. Appl. No. 29/556,703 to Saule et al., titled "Headphones", filed Mar. 2, 2016 (unpublished).  
 U.S. Appl. No. 29/556,708 to Saule et al., titled "Headphones", filed Mar. 2, 2016 (unpublished).  
 Images of Beoplay H7 headphones, available at least as early as Mar. 2, 2016.  
 Image of Audeze EL-8 headphones, available at least as early as Mar. 2, 2016.  
 Image of Sony h.ear on headphones, available at least as early as Mar. 2, 2016.

\* cited by examiner

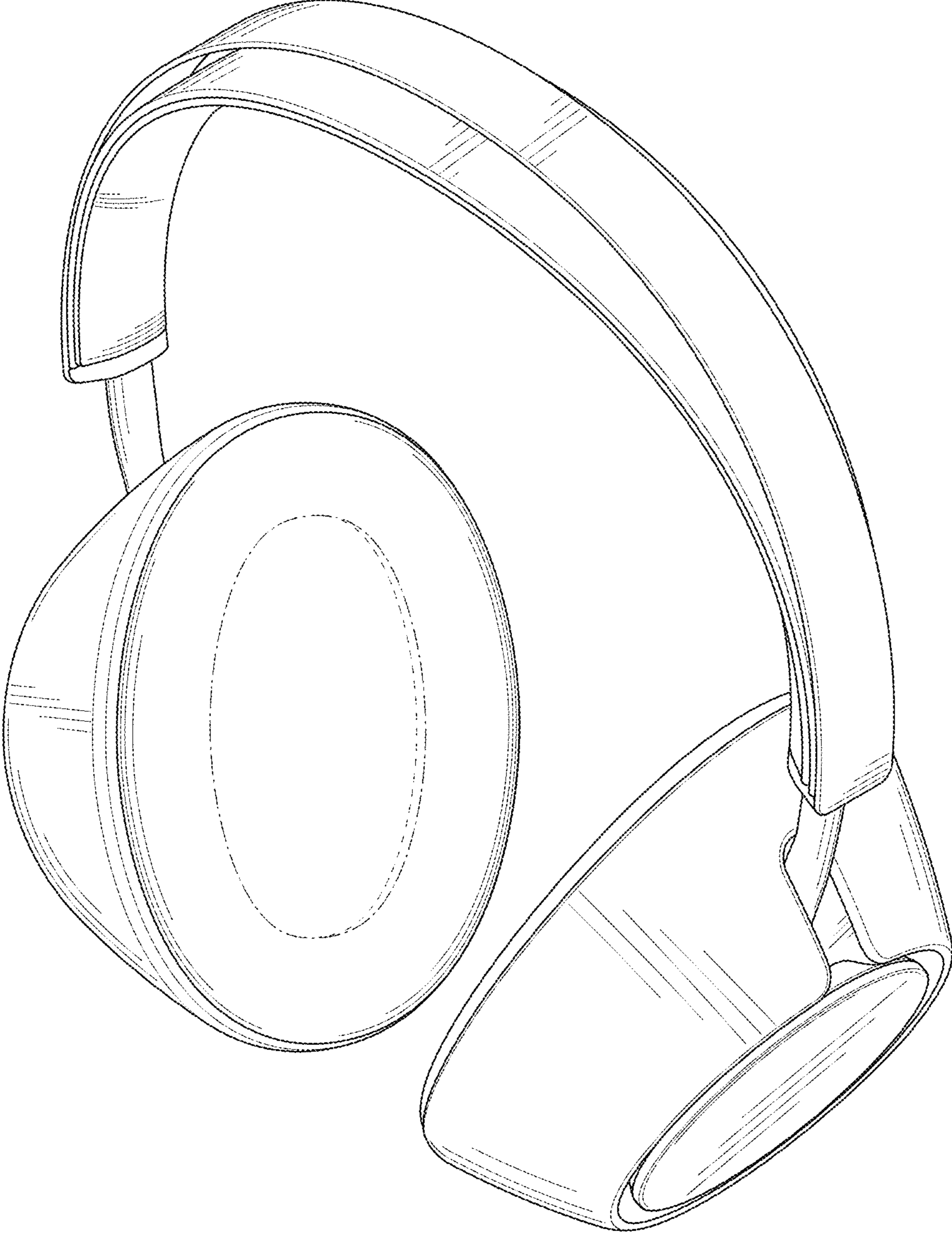


FIG. 1

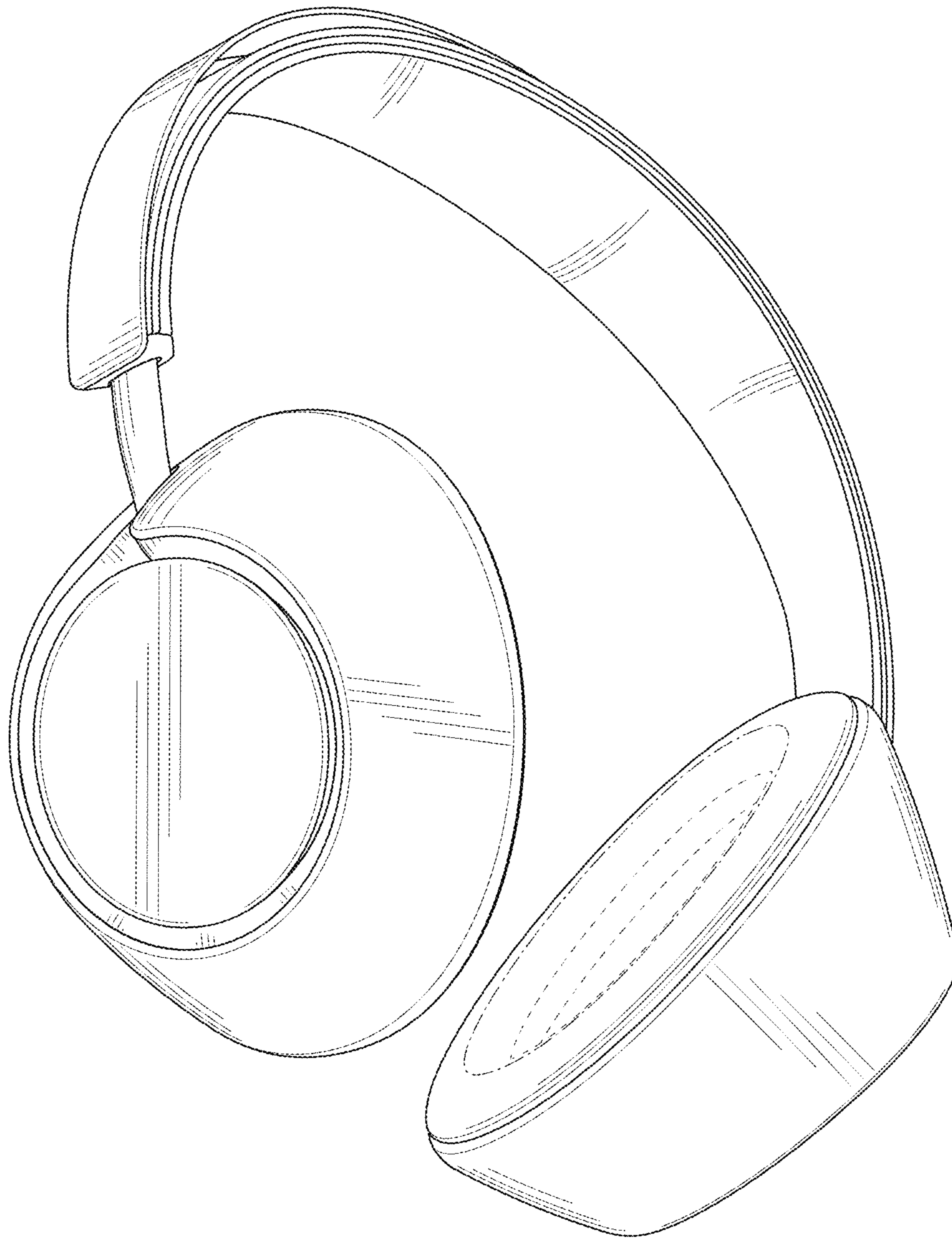


FIG. 2

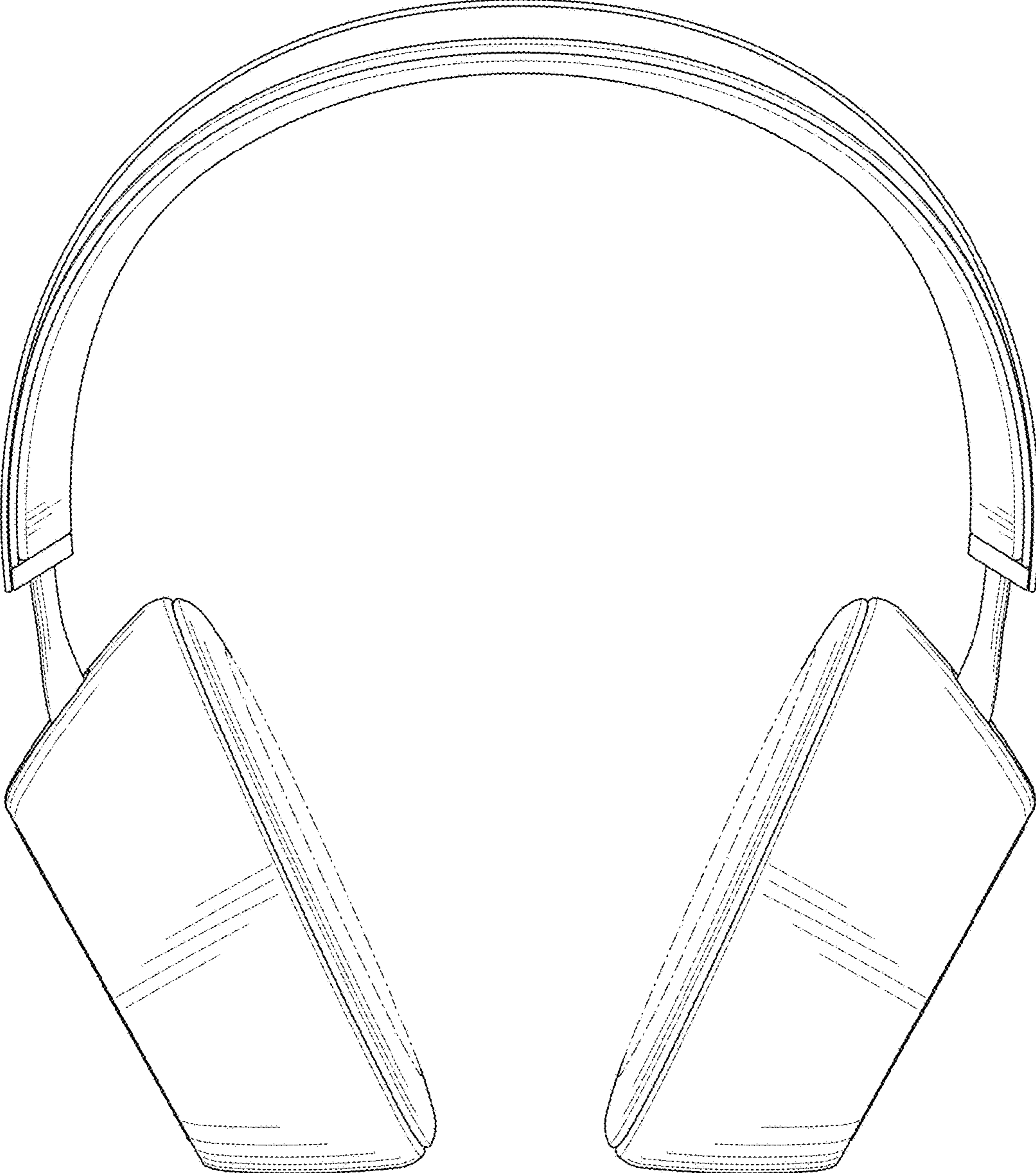


FIG. 3



FIG. 4

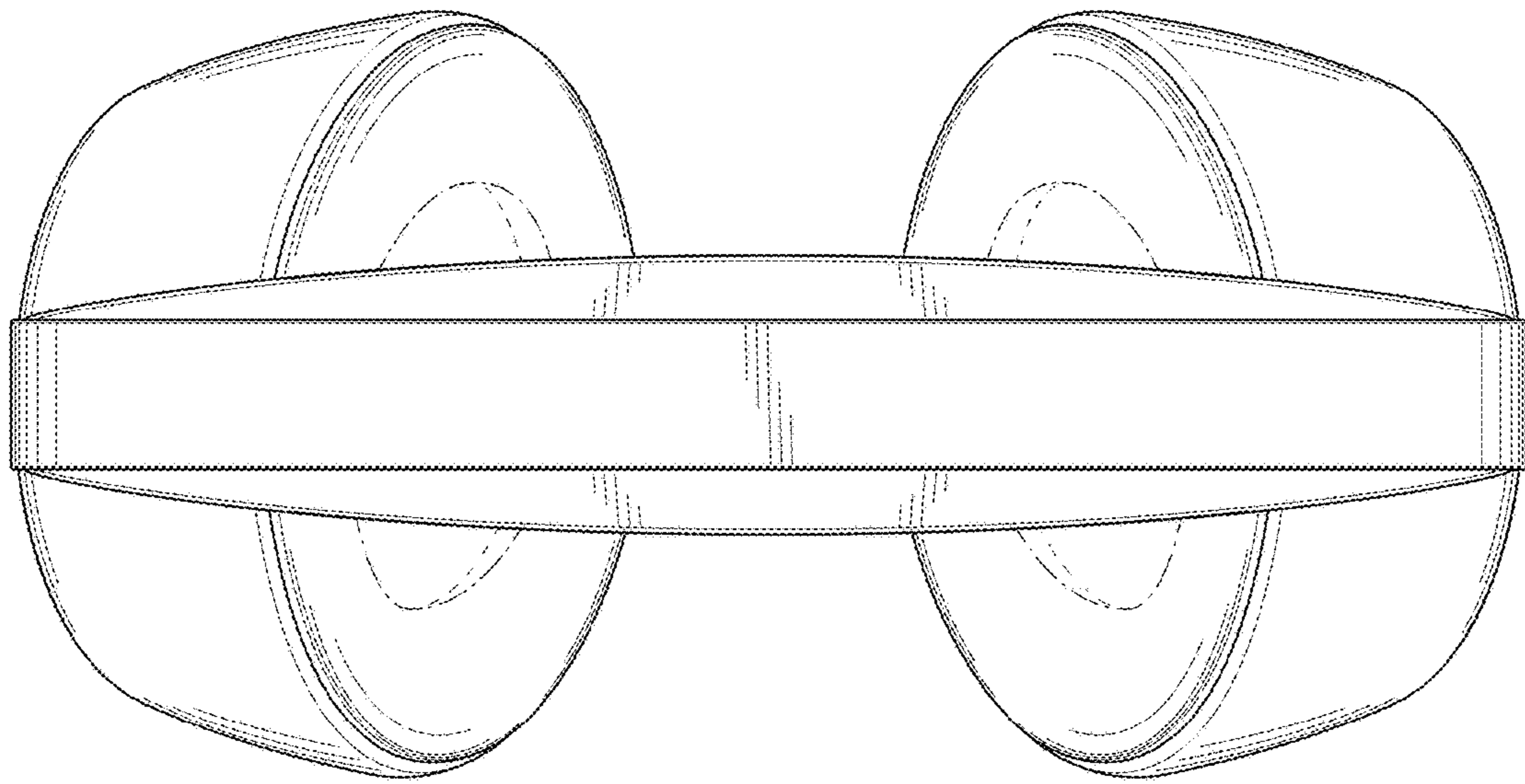


FIG. 5

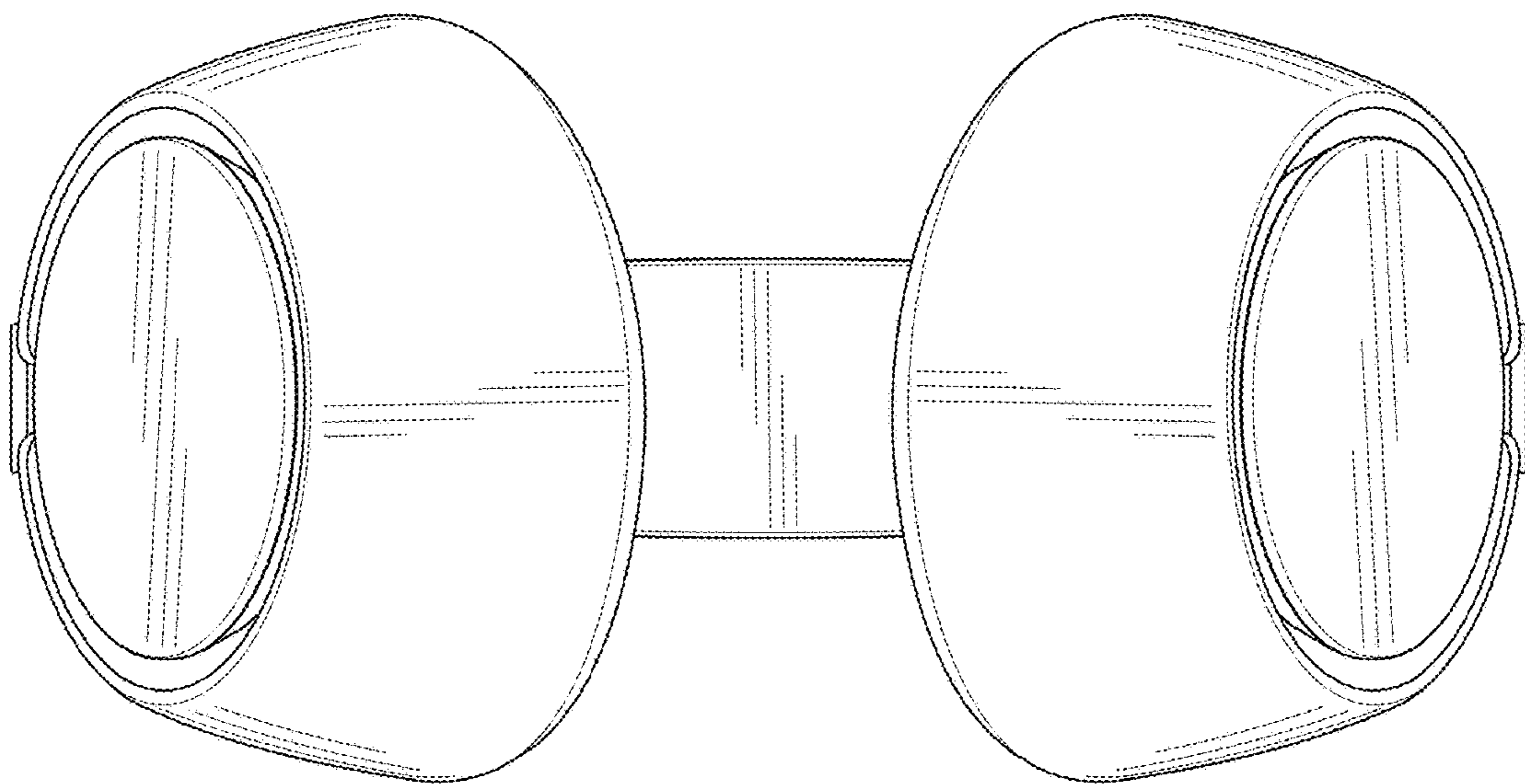


FIG. 6