



US00D857653S

(12) **United States Design Patent**
Hu

(10) **Patent No.:** **US D857,653 S**

(45) **Date of Patent:** **** Aug. 27, 2019**

(54) **HEADPHONE**

(71) Applicant: **MPOW TECHNOLOGY CO., LIMITED**, Hong Kong (HK)

(72) Inventor: **Zaihui Hu**, Shenzhen (CN)

(73) Assignee: **MPOW TECHNOLOGY CO., LIMITED**, Hong Kong (HK)

(**) Term: **15 Years**

(21) Appl. No.: **29/631,762**

(22) Filed: **Jan. 3, 2018**

(51) **LOC (12) Cl.** **14-01**

(52) **U.S. Cl.**
USPC **D14/205**

(58) **Field of Classification Search**
USPC D14/205, 188, 192; D29/112; 2/209;
181/129, 130, 135; 379/430, 431;
381/380, 381, 374, 370, 74; 455/90.3,
455/575.1, 569.1
CPC H04R 25/00; H04R 1/1066; H04R 1/1016;
H04R 5/033; H04R 5/0335; H04R 25/02;
H04R 1/10; H04R 1/105; H04R 1/1058
See application file for complete search history.

(56) **References Cited**

U.S. PATENT DOCUMENTS

3,447,160	A *	6/1969	Teder	A61F 11/14	2/209
3,476,589	A *	11/1969	Johnson	C03C 25/26	442/108
3,661,225	A *	5/1972	Anderson	A61F 11/14	128/866
4,654,898	A *	4/1987	Ishikawa	H04R 1/1008	2/209
4,944,361	A *	7/1990	Lindgren	A42B 3/166	181/129

5,068,923	A *	12/1991	Sjoqvist	A61F 11/14	181/129
D328,074	S *	7/1992	Yamazaki	D14/205	
D337,115	S *	7/1993	Yamazaki	D14/205	
5,519,783	A *	5/1996	Kumar	H04R 1/1008	181/129
D409,615	S *	5/1999	Sloan	D14/205	
D427,382	S *	6/2000	Leight	D29/112	
D459,034	S *	6/2002	Dix	D29/112	
D465,616	S *	11/2002	Nilsson	A61F 11/14	D29/112
D468,723	S *	1/2003	Pham	D14/205	
6,654,966	B2 *	12/2003	Rolla	H04R 1/1066	2/209
D512,708	S *	12/2005	Harris, Jr.	D14/205	
D532,407	S *	11/2006	Motoishi	D14/205	
D538,261	S *	3/2007	Taylor	D14/205	
D541,255	S *	4/2007	Taylor	D14/205	
D544,650	S *	6/2007	Westerdal	D29/112	
D573,581	S *	7/2008	Gondo	D14/205	
D581,394	S *	11/2008	Lee	D14/205	

(Continued)

Primary Examiner — Paula Allen Greene
(74) *Attorney, Agent, or Firm* — JCIPRNET

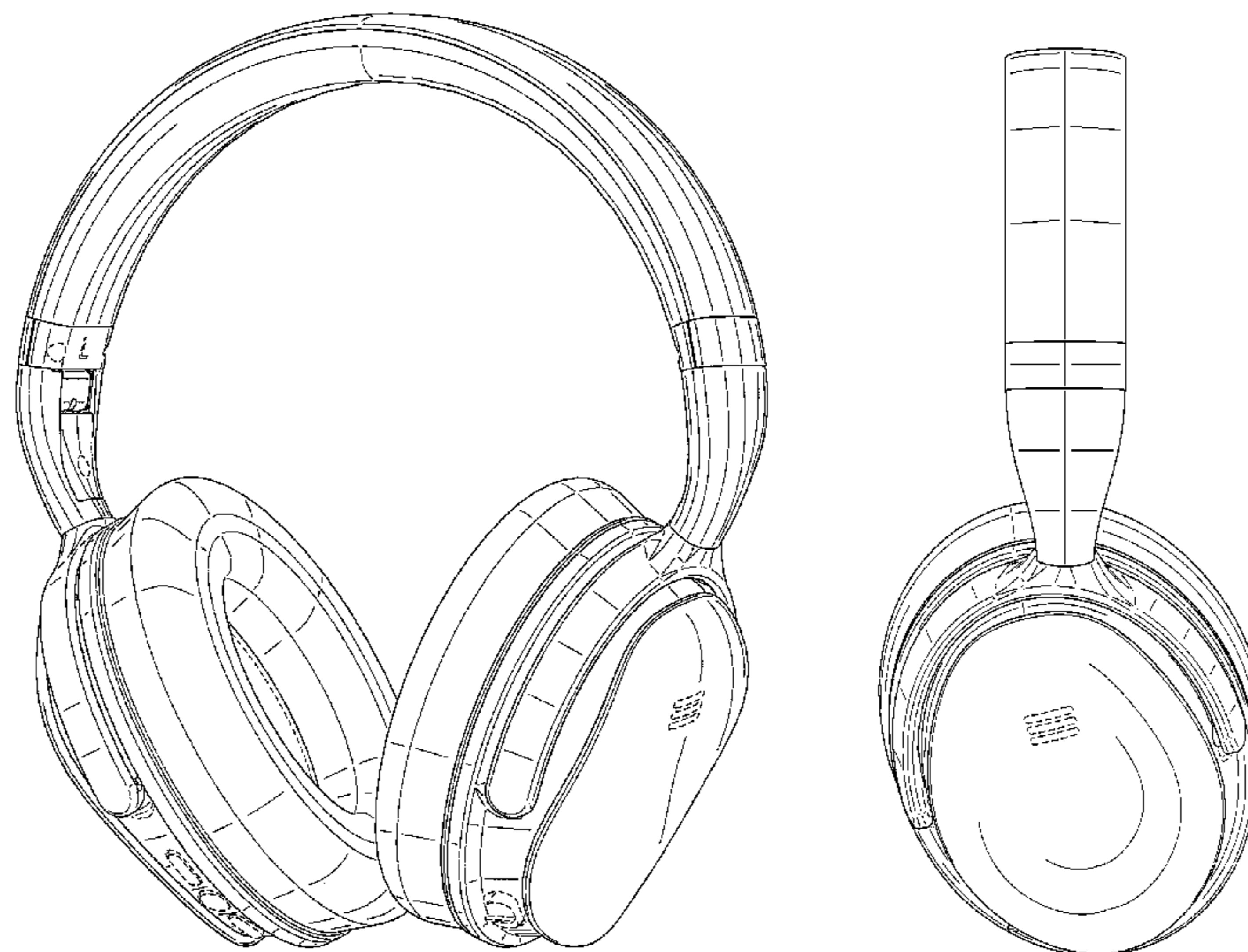
(57) **CLAIM**

The ornamental design for a headphone, as shown and described.

DESCRIPTION

FIG. 1 is a perspective view of a headphone showing my new design;
FIG. 2 is another perspective view thereof;
FIG. 3 is a front view thereof;
FIG. 4 is a rear view thereof;
FIG. 5 is a left side view thereof;
FIG. 6 is a right side view thereof;
FIG. 7 is a top view thereof; and,
FIG. 8 is a bottom view thereof.
The broken lines depict environment that forms no part of the claimed design.

1 Claim, 7 Drawing Sheets



(56)

References Cited

U.S. PATENT DOCUMENTS

D585,872 S * 2/2009 Lee D14/205
 D594,847 S * 6/2009 Suzuki D14/205
 D616,865 S * 6/2010 Marchand D14/205
 D623,627 S * 9/2010 Alden D14/205
 D625,705 S * 10/2010 Ohori D14/205
 D634,732 S * 3/2011 Kondo D14/205
 D639,776 S * 6/2011 Arimoto D14/205
 D641,003 S * 7/2011 Alden D14/205
 D650,356 S * 12/2011 Alden D14/205
 D657,344 S * 4/2012 Brunner D14/205
 D665,775 S * 8/2012 Katsumata D14/205
 D665,776 S * 8/2012 Alden D14/205
 D665,777 S * 8/2012 Alden D14/205
 D668,392 S * 10/2012 Carlborg A61F 11/14
 D673,136 S * 12/2012 Kelly D14/205
 D674,372 S * 1/2013 Kelly D14/205
 D677,241 S * 3/2013 Kelly D14/205
 D683,329 S * 5/2013 Hagelin D14/205
 D683,717 S * 6/2013 Kelly D14/205

D685,759 S * 7/2013 Kelly D14/205
 D689,464 S * 9/2013 Bonahoom D14/206
 D691,582 S * 10/2013 Nguyen H04S 1/005
 D693,791 S * 11/2013 Troy D14/205
 D693,793 S * 11/2013 Kelly D14/205
 D699,216 S * 2/2014 Bonahoom D14/205
 D701,193 S * 3/2014 Kelly D14/205
 D707,654 S * 6/2014 Nguyen H04S 1/005
 D719,136 S * 12/2014 Schaal D14/205
 8,923,525 B2 * 12/2014 Saideh H04R 1/1033
 D721,052 S * 1/2015 Carr D14/205
 D758,337 S * 6/2016 Szymanski D14/205
 D765,055 S * 8/2016 Hsieh D14/205
 D787,470 S * 5/2017 Kelly D14/205
 D800,691 S * 10/2017 Ando D14/205
 D840,370 S * 2/2019 Kelly D14/205
 2010/0310093 A1 * 12/2010 Semcken H04R 1/1058
 381/104

* cited by examiner



FIG. 1



FIG. 2



FIG. 3



FIG. 4

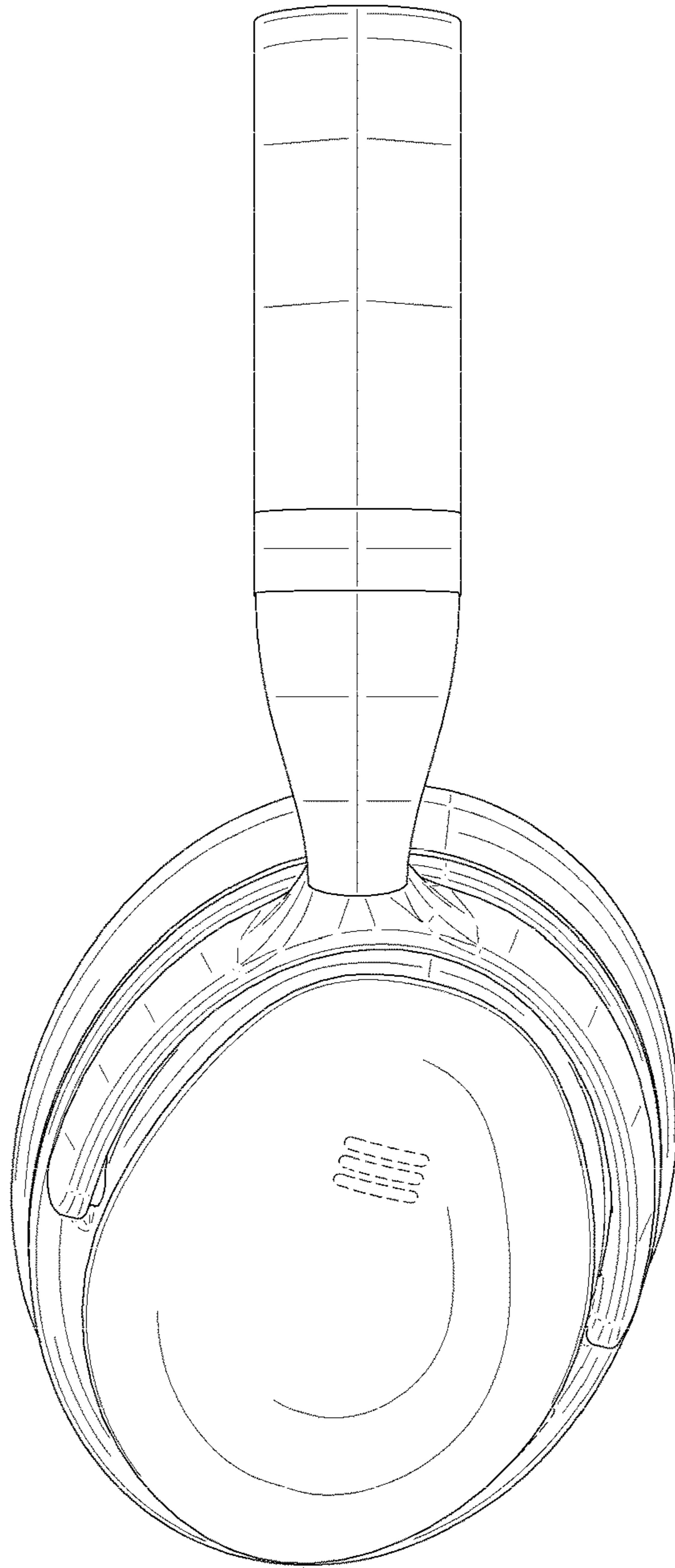


FIG. 5

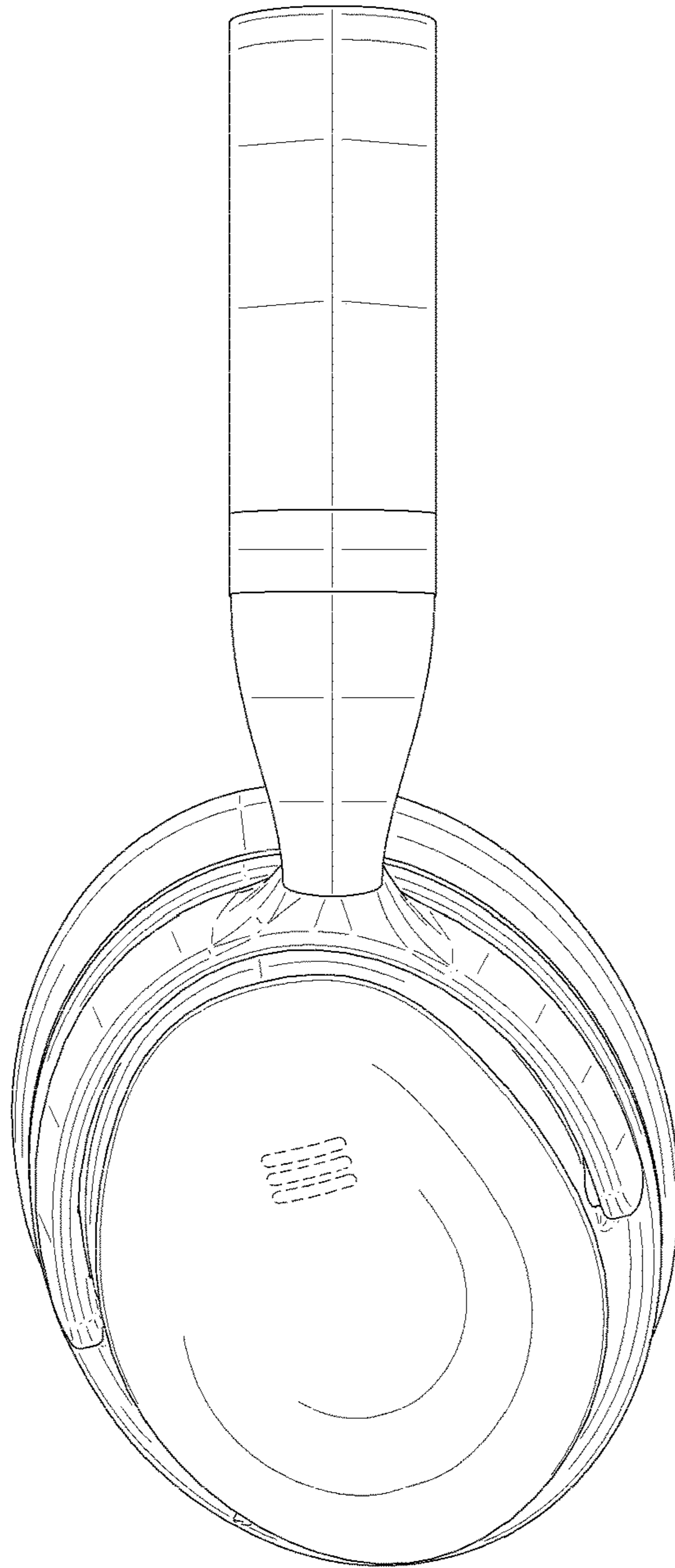


FIG. 6

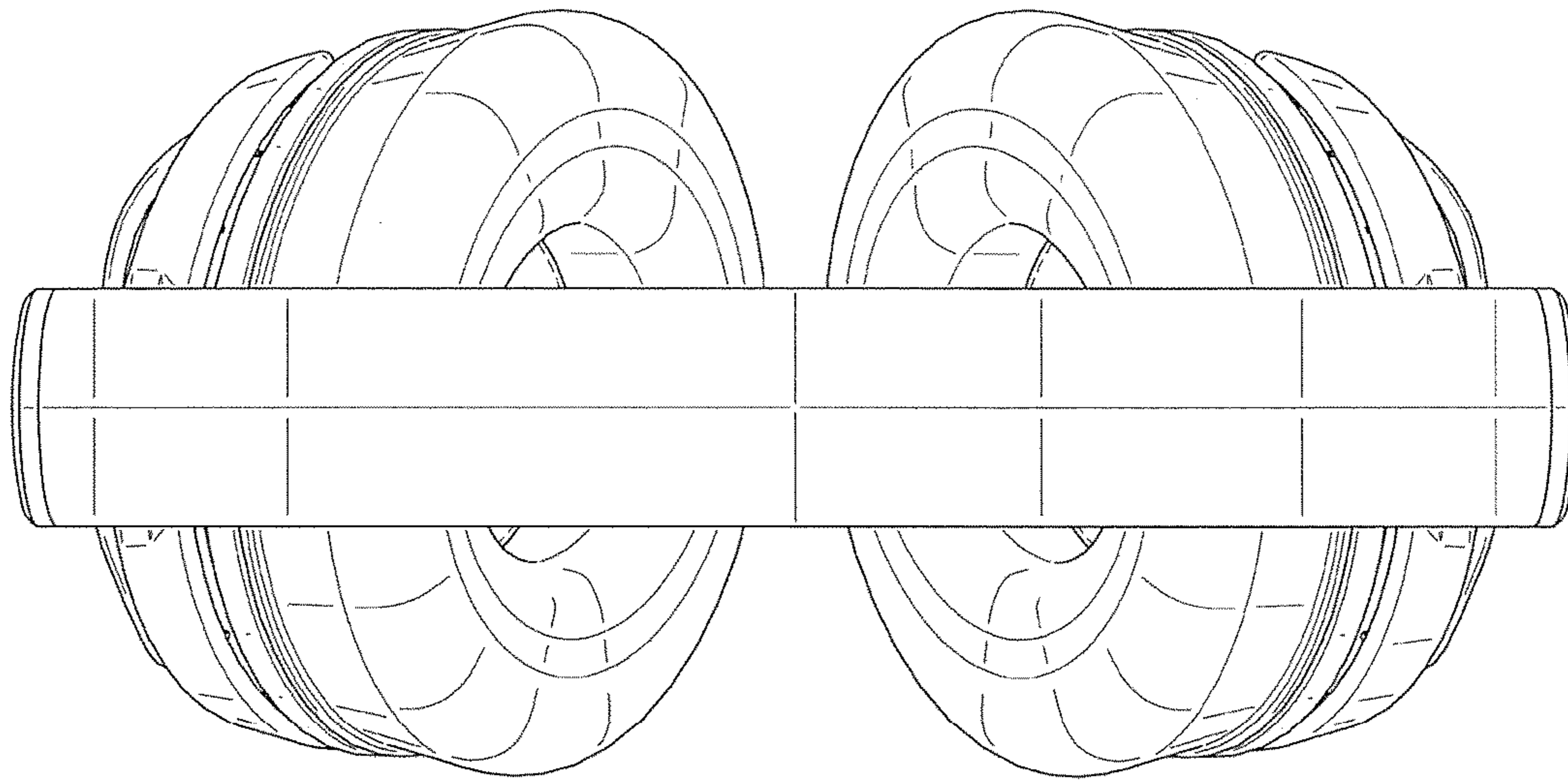


FIG. 7

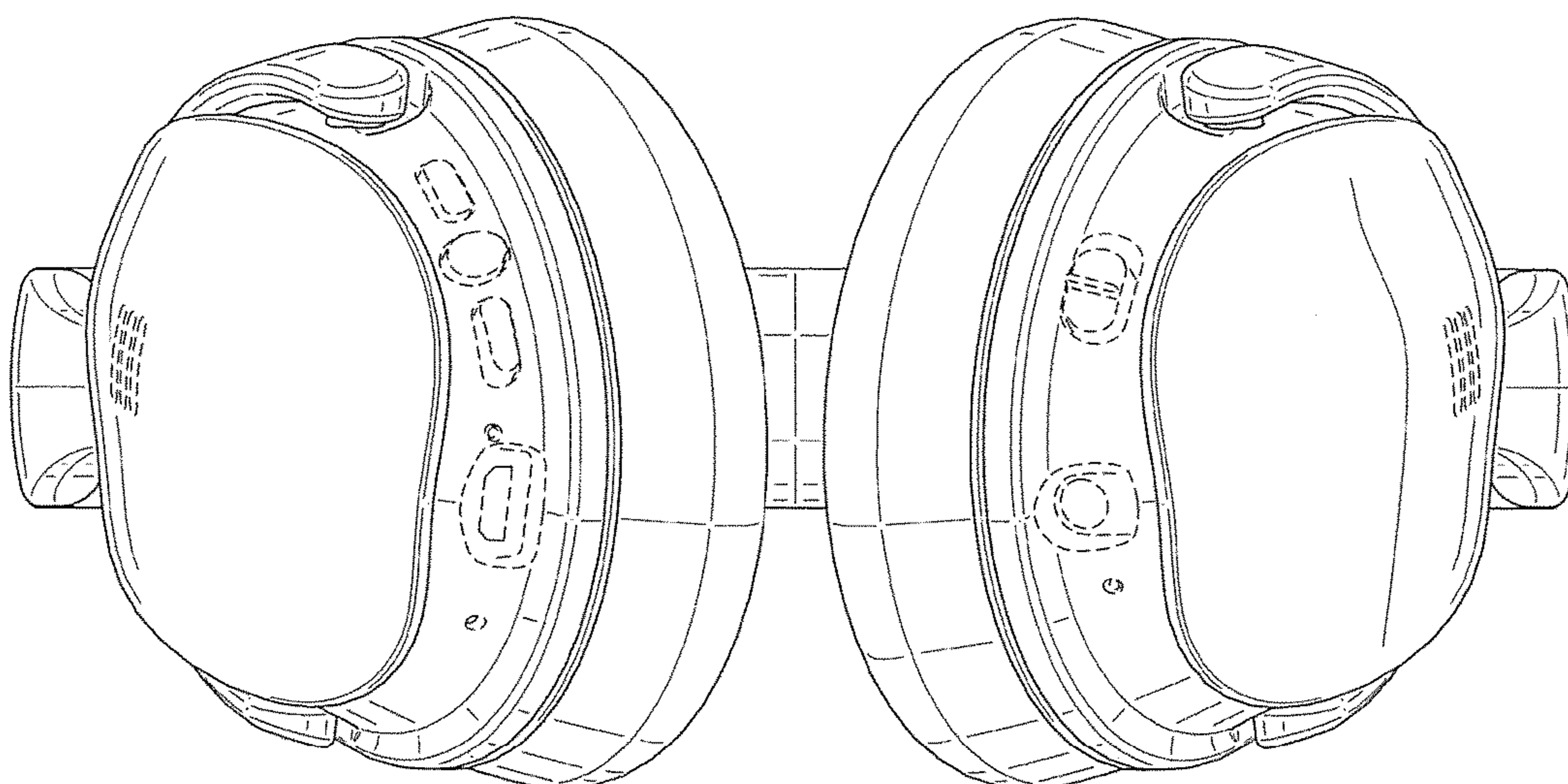


FIG. 8