



US00D857652S

(12) **United States Design Patent**
Wang

(10) **Patent No.:** **US D857,652 S**

(45) **Date of Patent:** **** Aug. 27, 2019**

- (54) **HEADSET**
- (71) Applicant: **Jian Wang**, Guangdong (CN)
- (72) Inventor: **Jian Wang**, Guangdong (CN)
- (73) Assignee: **Shengyuan Science and Technology (Shenzhen) Co., Ltd.**, Shenzhen, Guangdong (CN)
- (**) Term: **15 Years**
- (21) Appl. No.: **29/628,860**
- (22) Filed: **Dec. 8, 2017**
- (51) **LOC (12) Cl.** **14-01**
- (52) **U.S. Cl.**
USPC **D14/205**
- (58) **Field of Classification Search**
USPC D14/205, 206, 188, 192; D29/112;
2/209; 181/129, 130, 135; 379/430, 431;
381/380, 381, 374; 455/90.3, 575.1,
455/569.1
CPC H04R 1/1066; H04R 1/1016; H04R 5/033;
H04R 5/0335; H04R 25/00; H04R 1/10
See application file for complete search history.

5,551,090	A *	9/1996	Thompson	A61F 11/08
					128/866
D374,658	S *	10/1996	Bever	D13/171
D464,630	S *	10/2002	Woodworth	D13/171
D491,163	S *	6/2004	Green	D14/205
D504,414	S *	4/2005	Yoshida	D14/192
D538,261	S *	3/2007	Taylor	D14/205
D573,581	S *	7/2008	Gondo	D14/205
D632,668	S *	2/2011	Brunner	D14/205
D635,959	S *	4/2011	Hutchieson	D14/205
D637,176	S *	5/2011	Brunner	D14/205
D643,833	S *	8/2011	Lee	D14/223
D657,346	S *	4/2012	Park	D14/205
D660,829	S *	5/2012	Wang	D14/240
D662,490	S *	6/2012	McSweyn	D14/205
D664,113	S *	7/2012	Katsumata	D14/205
8,213,667	B2 *	7/2012	Nelson	F16C 11/06
					381/370
D677,647	S *	3/2013	Lee	D14/205
D684,559	S *	6/2013	Groset	D14/205
D686,592	S *	7/2013	Gondo	D14/205
D689,843	S *	9/2013	Lee	D14/205
D691,579	S *	10/2013	Lee	D14/205
D691,984	S *	10/2013	Wang	D14/205

(Continued)

Primary Examiner — Paula Allen Greene

(57) **CLAIM**

I claim the ornamental design for a headset, as shown and described.

DESCRIPTION

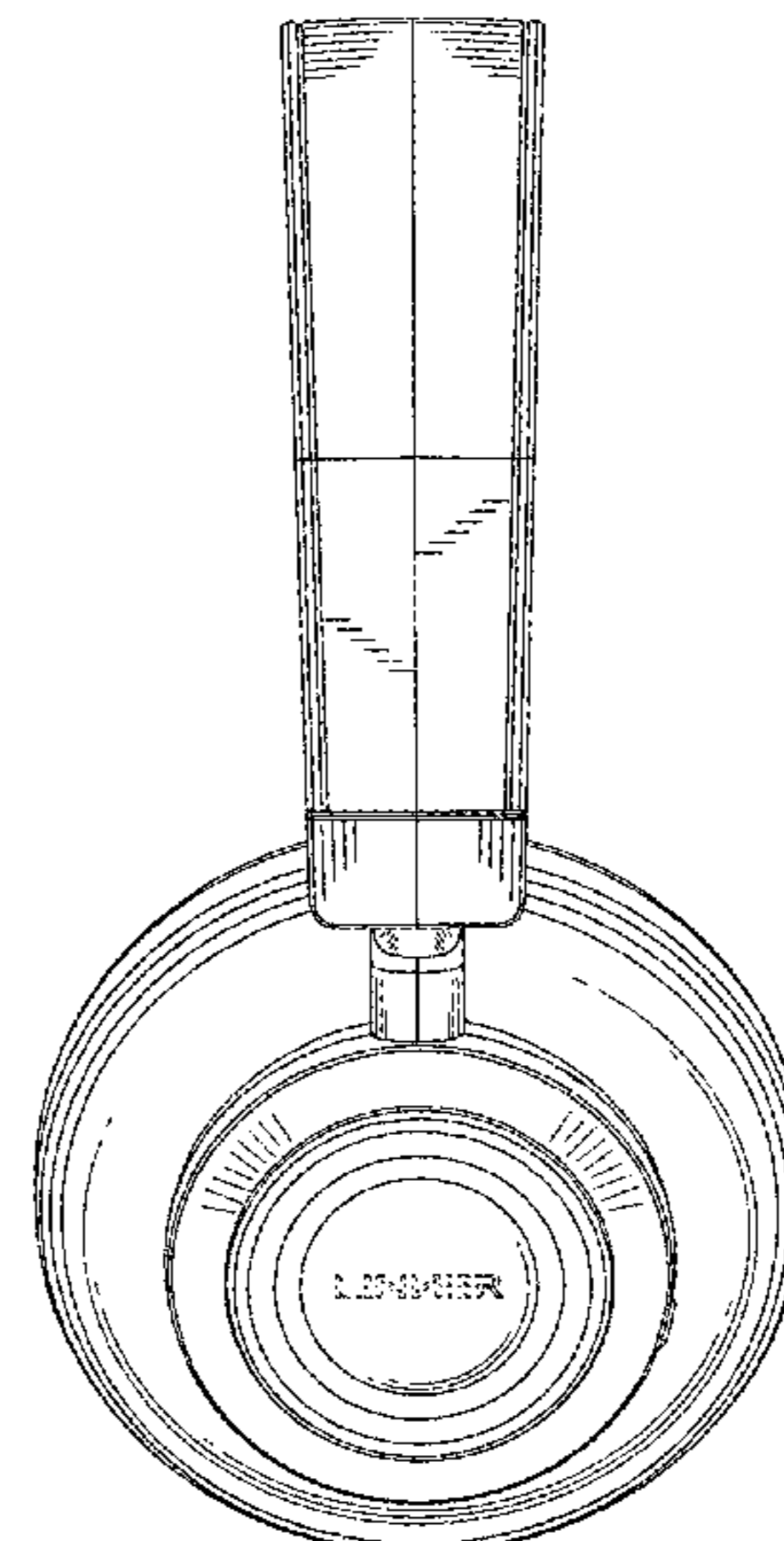
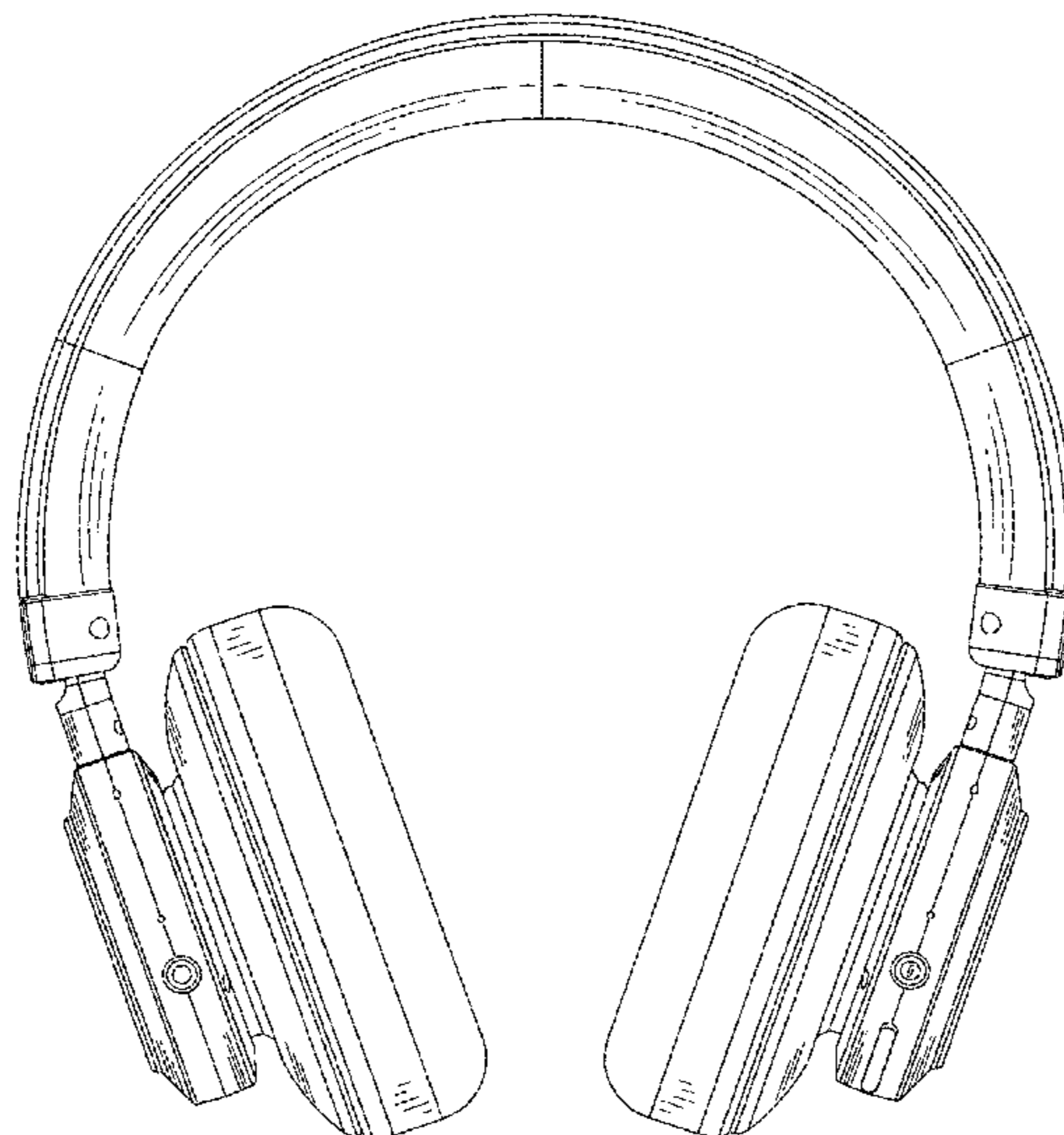
FIG. 1 is a front elevational view of a headset showing my new design;
 FIG. 2 is a rear elevational view thereof;
 FIG. 3 is a left side elevational view thereof;
 FIG. 4 is a right side elevational view thereof;
 FIG. 5 is a top plan view thereof; and,
 FIG. 6 is a bottom plan view thereof.
 The broken lines depict environment that forms no part of the claimed design.

1 Claim, 6 Drawing Sheets

(56) **References Cited**

U.S. PATENT DOCUMENTS

1,127,161	A *	2/1915	Baldwin	H04R 5/0335
					381/379
1,648,832	A *	11/1927	Urban	H04R 1/1008
					181/129
2,235,372	A *	3/1941	Kalbitz	H04R 1/1066
					381/371
4,173,715	A *	11/1979	Gosman	H04R 1/1058
					181/129
4,385,209	A *	5/1983	Greason	H04R 19/016
					307/400
D328,461	S *	8/1992	Daido	D14/205



(56)

References Cited

U.S. PATENT DOCUMENTS

D693,791	S *	11/2013	Troy	D14/205
D750,041	S *	2/2016	Birger	D14/205
D781,265	S *	3/2017	Levine	D14/205
D809,478	S *	2/2018	Arimoto	D14/205
D816,061	S *	4/2018	Ando	D14/205
D836,084	S *	12/2018	Xie	D14/205
D838,687	S *	1/2019	Wu	D14/205
D842,270	S *	3/2019	Chen	D14/205
2005/0105755	A1 *	5/2005	Yueh	H04R 1/1041
				381/371
2008/0056525	A1 *	3/2008	Fujiwara	H04R 1/1033
				381/374
2017/0041696	A1 *	2/2017	Levine	H04R 1/1033
2017/0041697	A1 *	2/2017	Levine	H04R 1/1033
2017/0339479	A1 *	11/2017	Levine	H04R 5/0335
2018/0020277	A1 *	1/2018	Briggs	H04R 1/1008
2018/0020278	A1 *	1/2018	Levine	H04R 1/1033

* cited by examiner

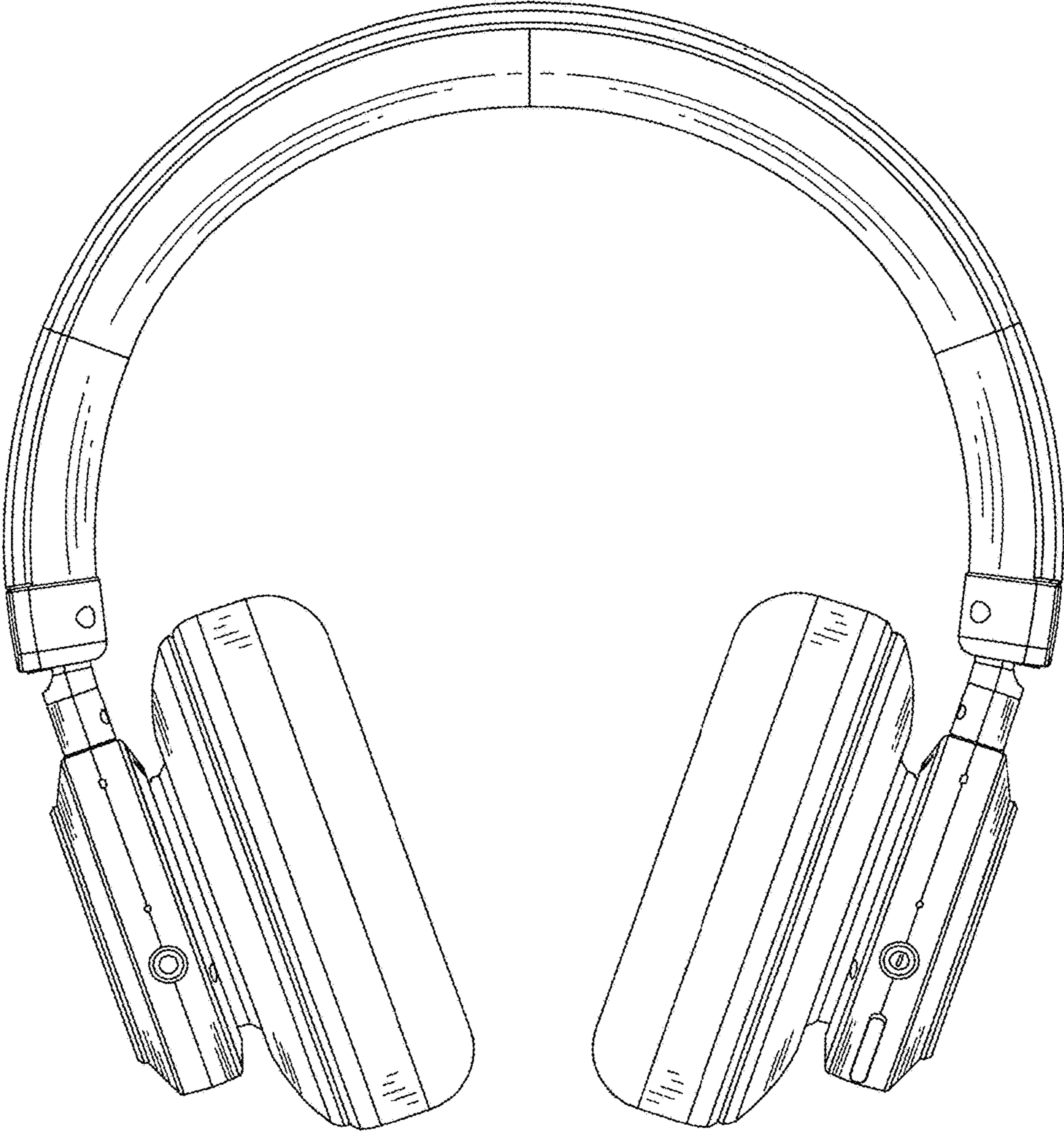


FIG. 1



FIG. 2

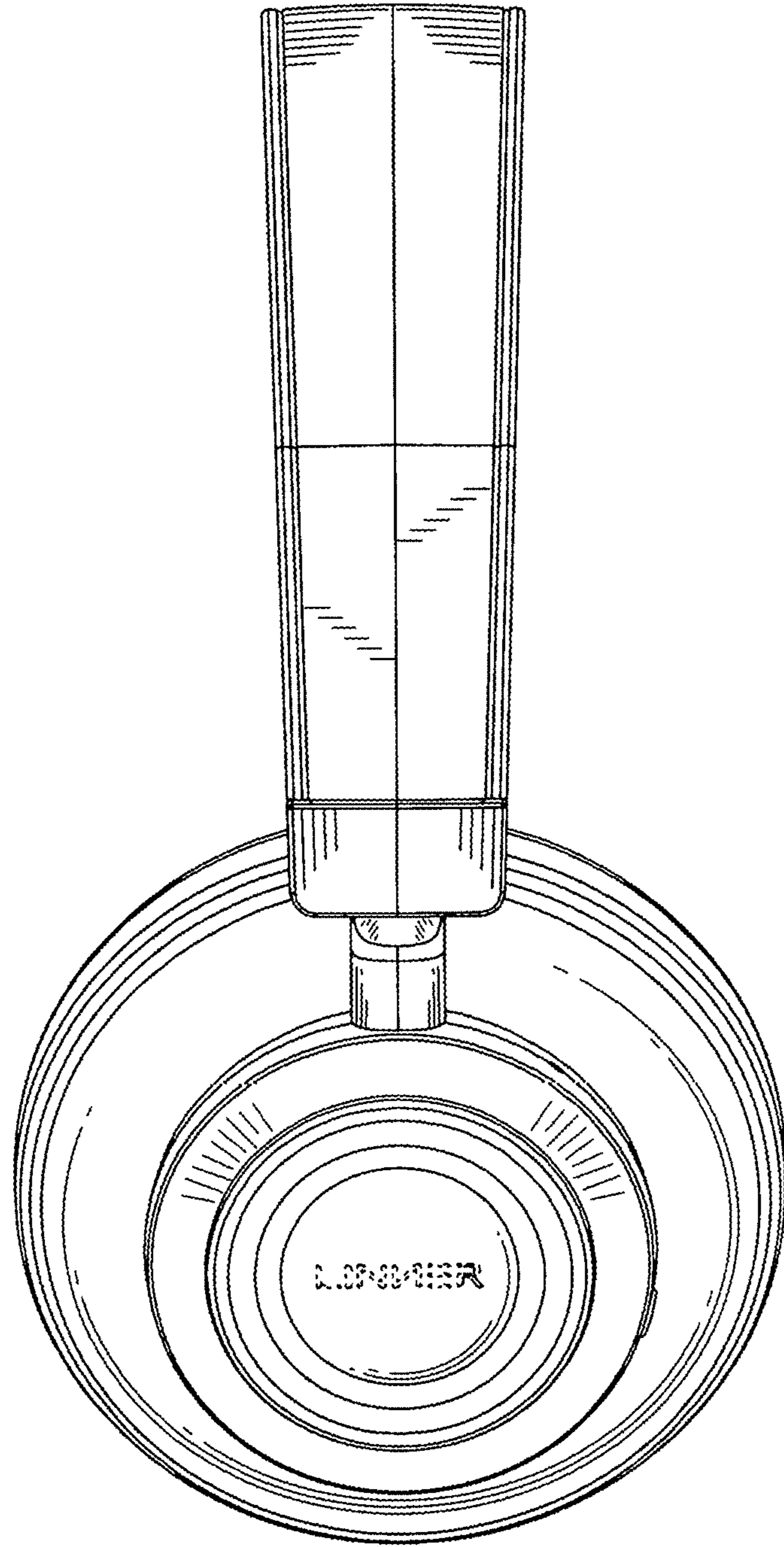


FIG. 3

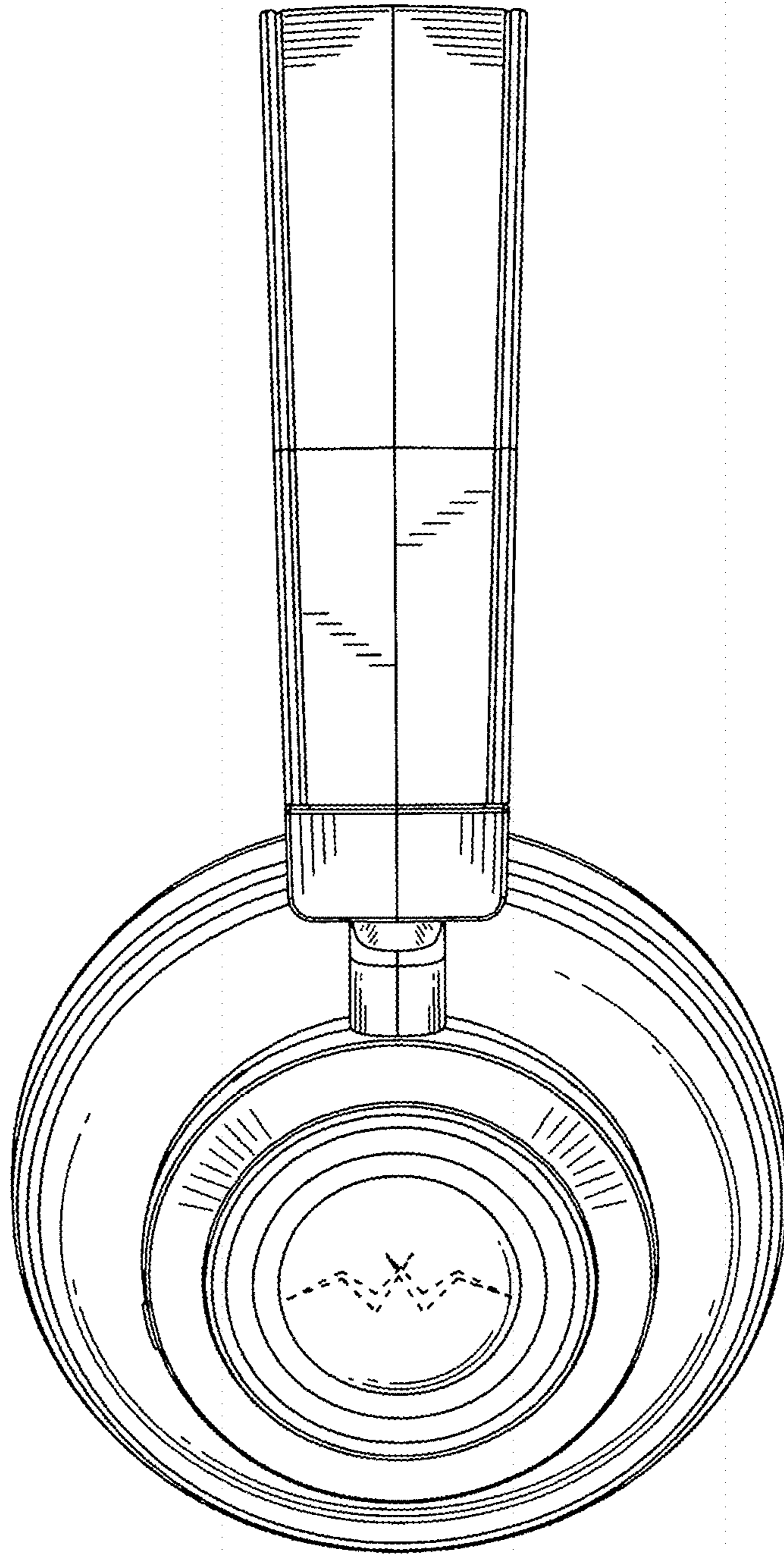


FIG. 4

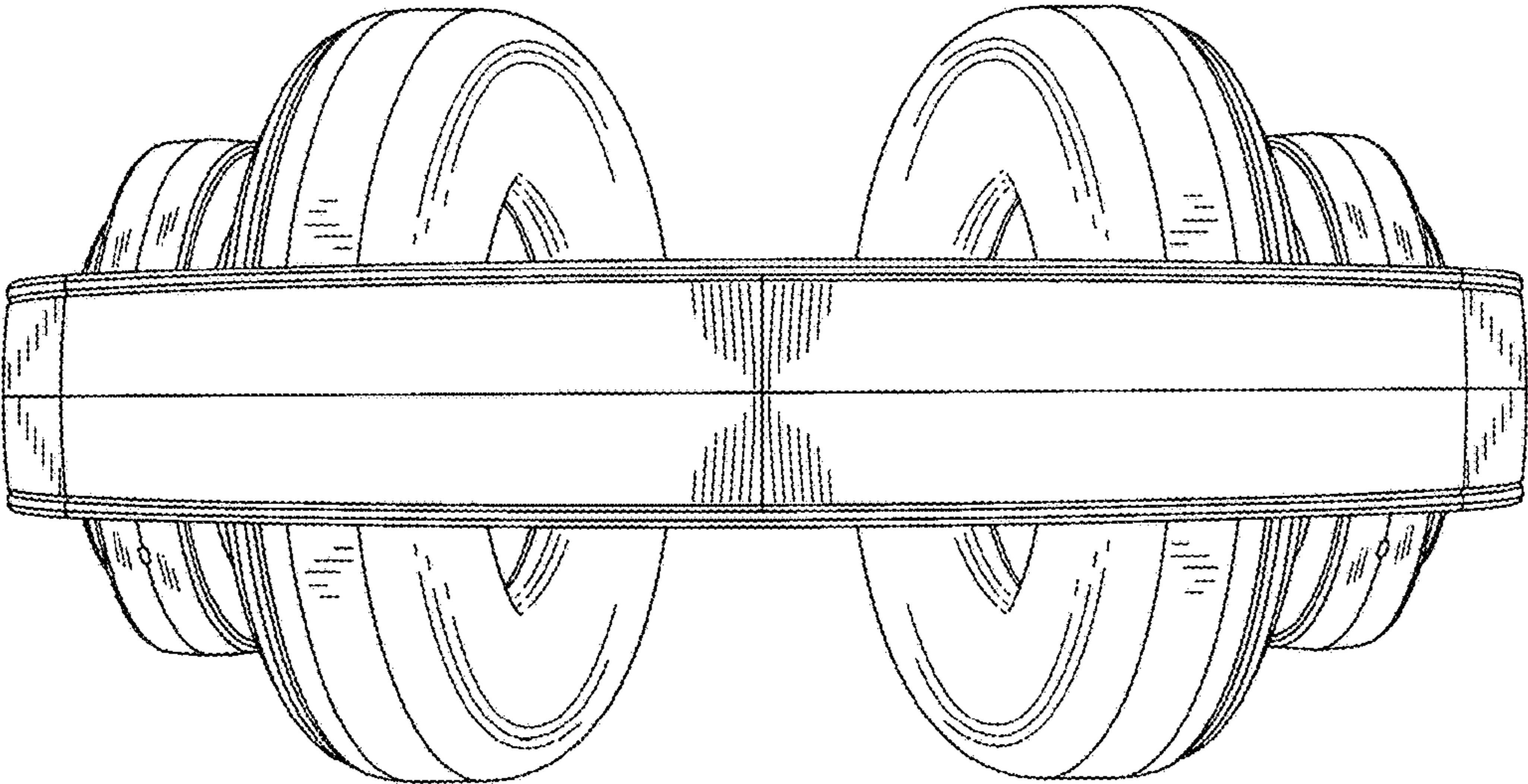


FIG. 5

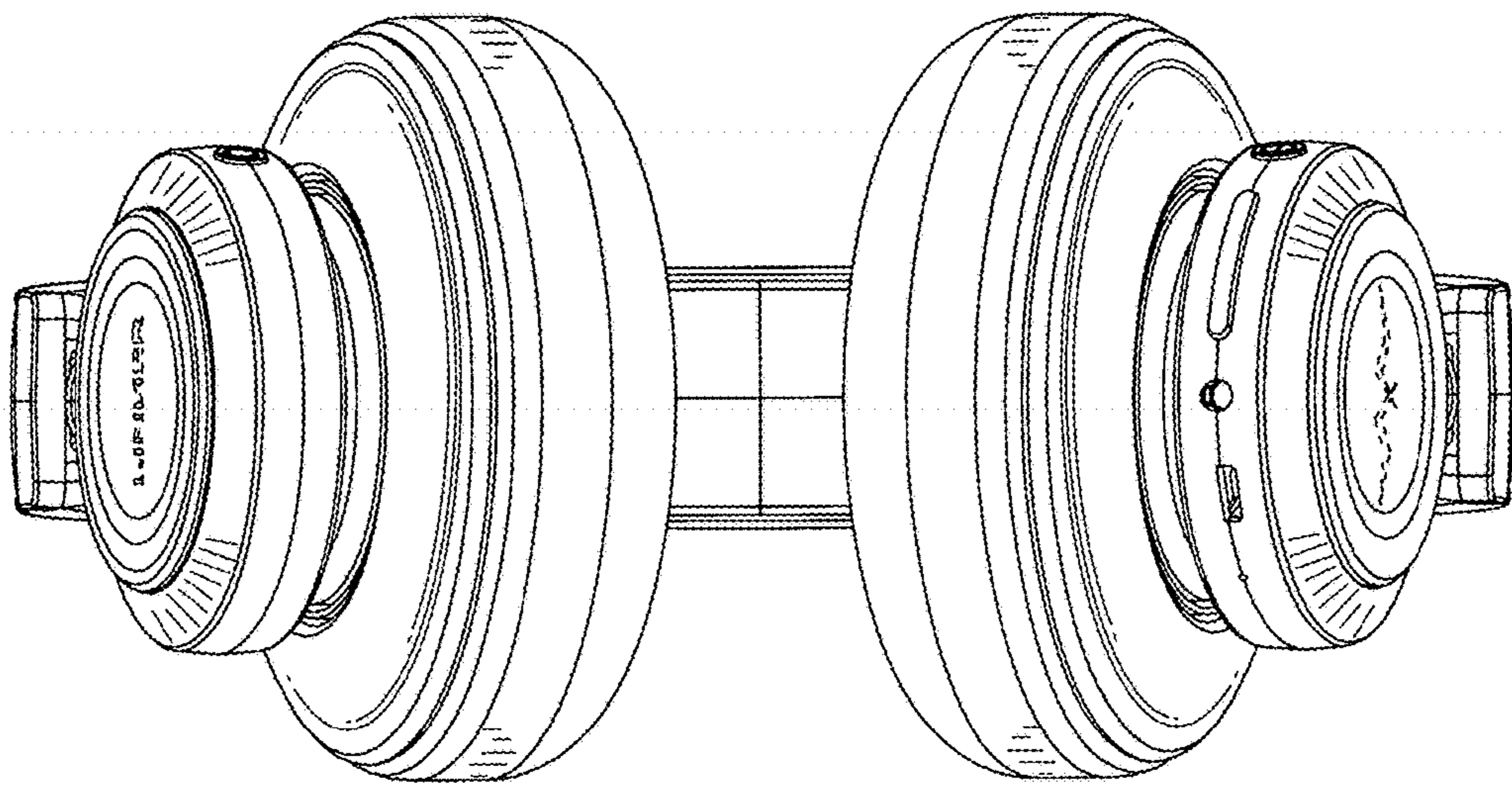


FIG. 6