

US00D857650S

(12) **United States Design Patent** (10) **Patent No.:** **US D857,650 S**  
**Hardi** (45) **Date of Patent:** **\*\* Aug. 27, 2019**

(54) **TOUCHPAD**  
(71) Applicant: **Muzik LLC**, Raleigh, NC (US)  
(72) Inventor: **Jason Hardi**, Raleigh, NC (US)  
(73) Assignee: **Muzik Inc.**, West Hollywood, CA (US)  
(\*\*) Term: **15 Years**  
(21) Appl. No.: **29/610,890**  
(22) Filed: **Jul. 17, 2017**

1,297,905 A \* 3/1919 Pinkler ..... H04R 21/021  
381/180  
1,343,252 A 6/1920 Downing ..... B65D 77/26  
206/486  
1,558,643 A 10/1925 Smith ..... H04R 21/021  
381/180  
1,736,830 A \* 11/1929 McKee ..... E01F 9/553  
404/15  
2,022,060 A 11/1935 Swickard ..... H04R 1/225  
181/129  
2,514,109 A 7/1950 Walsh ..... A47B 91/08  
248/158  
2,562,526 A \* 7/1951 Codd ..... H04R 21/021  
381/180  
2,971,638 A 2/1961 Allison ..... B65D 75/36  
206/467

**Related U.S. Application Data**

(63) Continuation of application No. 29/511,990, filed on Dec. 16, 2014, now Pat. No. Des. 793,356.  
(51) **LOC (12) Cl.** ..... **14-01**  
(52) **U.S. Cl.**  
USPC ..... **D14/205**; D14/218  
(58) **Field of Classification Search**  
USPC ..... D14/205, 223, 188, 192, 219, 215, 221, D14/224, 210, 217, 250, 225, 194, 496, D14/203.3, 203.6, 218, 412, 400, 251, D14/253, 447; D24/173, 110.1, 206; 181/129, 130, 135, 175, 128, 180; 379/430, 431; 381/380, 381, 180; 455/90.3, 575.1, 569.1; 273/148 B; D21/333, 324  
CPC ..... H04R 25/00; H04R 25/02; H04R 1/10; H04R 1/1066; H04R 1/1016; H04R 5/033; H04R 5/0335; A63F 13/00  
See application file for complete search history.

(Continued)

**OTHER PUBLICATIONS**

US 9,301,035 B2, 03/2016, Kang (withdrawn)

*Primary Examiner* — Paula Allen Greene

(74) *Attorney, Agent, or Firm* — Stanek Lemon Crouse & Meeks, P.A.

(57) **CLAIM**

The ornamental design for a touchpad, as shown and described.

**DESCRIPTION**

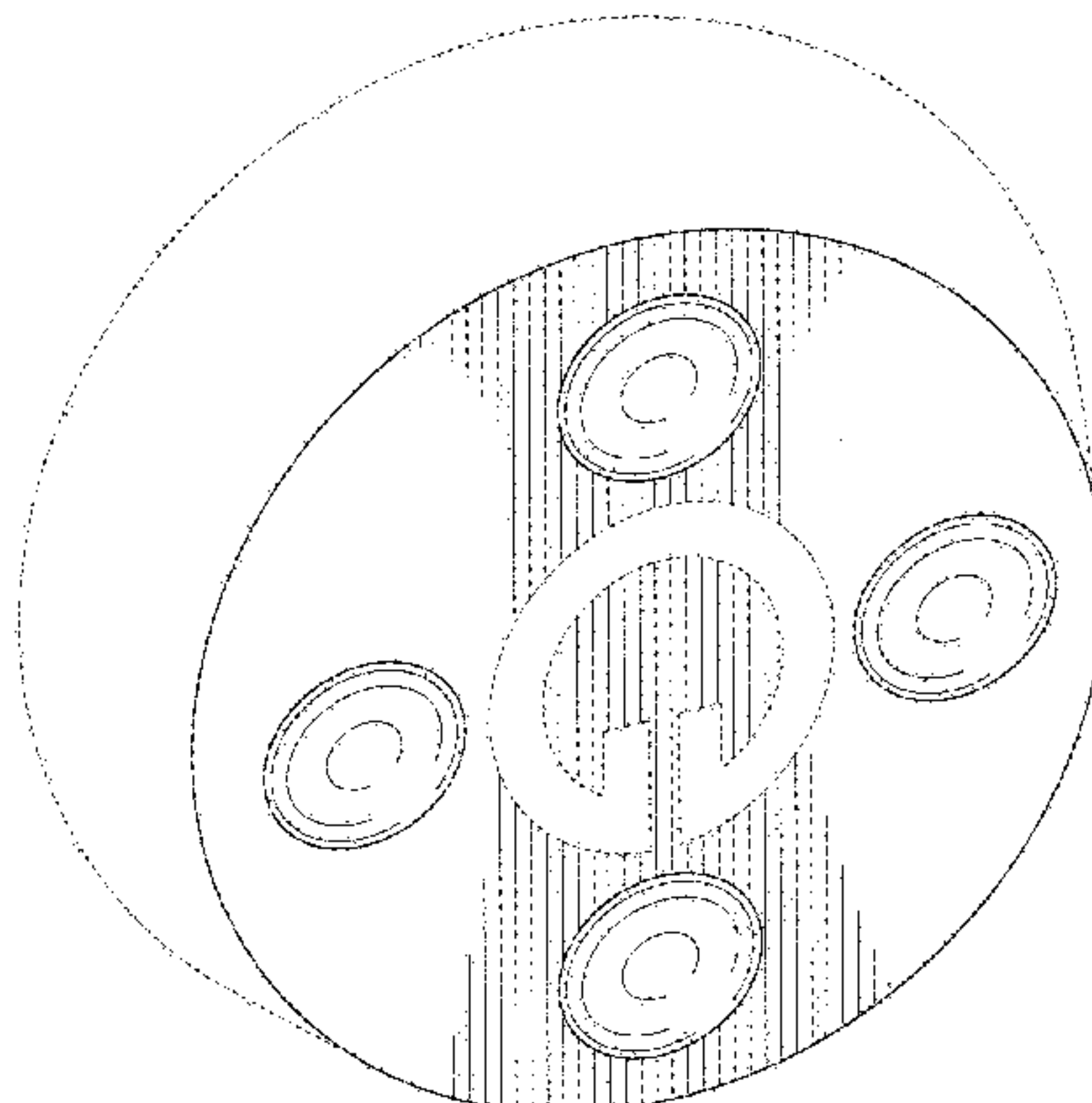
FIG. 1 is a perspective view of an embodiment of a touchpad showing my design.  
FIG. 2 is a front view thereof.  
FIG. 3 is a back view thereof.  
FIG. 4 is a left side view thereof.  
FIG. 5 is a right side view thereof; and,  
FIG. 6 is a top view thereof.  
The broken lines depict environment that forms no part of the claimed design.

(56) **References Cited**

**U.S. PATENT DOCUMENTS**

953,102 A \* 3/1910 Randall ..... 381/180  
1,026,057 A 5/1912 Shreeve ..... H04R 21/021  
381/180  
1,231,095 A \* 6/1917 Tanaka ..... H04R 21/021  
381/180

**1 Claim, 4 Drawing Sheets**



(56)

References Cited

U.S. PATENT DOCUMENTS

3,279,651 A 10/1966 Thompson ..... B65D 83/0463  
 206/531  
 3,503,493 A \* 3/1970 Nagy ..... B65D 75/327  
 206/232  
 3,702,123 A 11/1972 Macken et al. .... H04R 25/652  
 181/135  
 D246,259 S 11/1977 Nishimura ..... D14/205  
 D292,331 S 10/1987 Bryant ..... D14/205  
 4,778,054 A 10/1988 Newell ..... A61M 15/0045  
 206/469  
 4,852,177 A \* 7/1989 Ambrose ..... H04R 1/1016  
 181/135  
 D333,468 S 2/1993 Hansen ..... D14/222  
 D377,796 S 2/1997 Hayashi ..... D14/206  
 D386,181 S 11/1997 Fisher ..... D14/192  
 D394,062 S 5/1998 Chun ..... D14/192  
 D448,751 S 10/2001 Pham ..... D14/206  
 D484,868 S 1/2004 Suzuki ..... D14/205  
 6,905,000 B1 6/2005 Viveros ..... H04R 1/1016  
 181/129  
 D514,085 S 1/2006 Lee ..... D14/188  
 D538,779 S 3/2007 Nohara ..... D14/167  
 D552,595 S 10/2007 Viduya ..... D14/205  
 D558,767 S 1/2008 Solland ..... D14/400  
 D561,168 S \* 2/2008 Song ..... D14/188  
 D570,075 S 5/2008 Wood ..... D99/34  
 D582,890 S 12/2008 Koza ..... D14/205  
 D602,097 S 10/2009 Oikawa ..... D14/412  
 7,609,026 B2 10/2009 Tsunoda ..... H02J 7/0044  
 320/114  
 D616,865 S 6/2010 Marchand ..... D14/205  
 7,825,822 B2 \* 11/2010 Hornsby ..... A47B 97/00  
 340/12.33

D632,668 S 2/2011 Brunner ..... D14/205  
 7,916,886 B1 3/2011 Bobisuthi ..... H04R 1/086  
 381/355  
 D638,397 S 5/2011 McManigal ..... D14/205  
 D673,520 S 1/2013 Tan ..... D14/205  
 D690,682 S 10/2013 Iacovelli ..... D14/205  
 8,565,467 B1 10/2013 Tseng ..... H04R 1/1016  
 181/129  
 D702,210 S 4/2014 Birger ..... D14/205  
 D704,163 S 5/2014 Brunner ..... D14/205  
 D707,653 S 6/2014 Hardi ..... D14/205  
 8,942,385 B1 \* 1/2015 Jones ..... H04R 1/1041  
 381/101  
 D728,512 S 5/2015 Nakagawa ..... D14/205  
 D729,198 S 5/2015 Brunner ..... D14/205  
 D731,457 S 6/2015 Brunner ..... D14/205  
 D744,541 S 12/2015 Langhammer et al.  
 D771,141 S 11/2016 Langhammer et al.  
 D771,142 S 11/2016 Langhammer et al.  
 D778,956 S 2/2017 Langhammer et al.  
 D781,918 S 3/2017 Langhammer et al.  
 D782,537 S \* 3/2017 Akana ..... D14/496  
 D792,468 S 7/2017 Langhammer et al.  
 D793,356 S \* 8/2017 Hardi ..... D14/205  
 D797,150 S \* 9/2017 Akana ..... D10/32  
 D810,134 S 2/2018 Langhammer et al.  
 D810,135 S 2/2018 Langhammer et al.  
 D810,136 S 2/2018 Langhammer et al.  
 D810,783 S 2/2018 Langhammer et al.  
 D815,149 S 4/2018 Langhammer et al.  
 D818,498 S \* 5/2018 Akana ..... D14/496  
 2005/0286717 A1 \* 12/2005 Viduya ..... H04M 1/05  
 379/430  
 2012/0014548 A1 \* 1/2012 van Halteren ..... H04R 25/60  
 381/325

\* cited by examiner

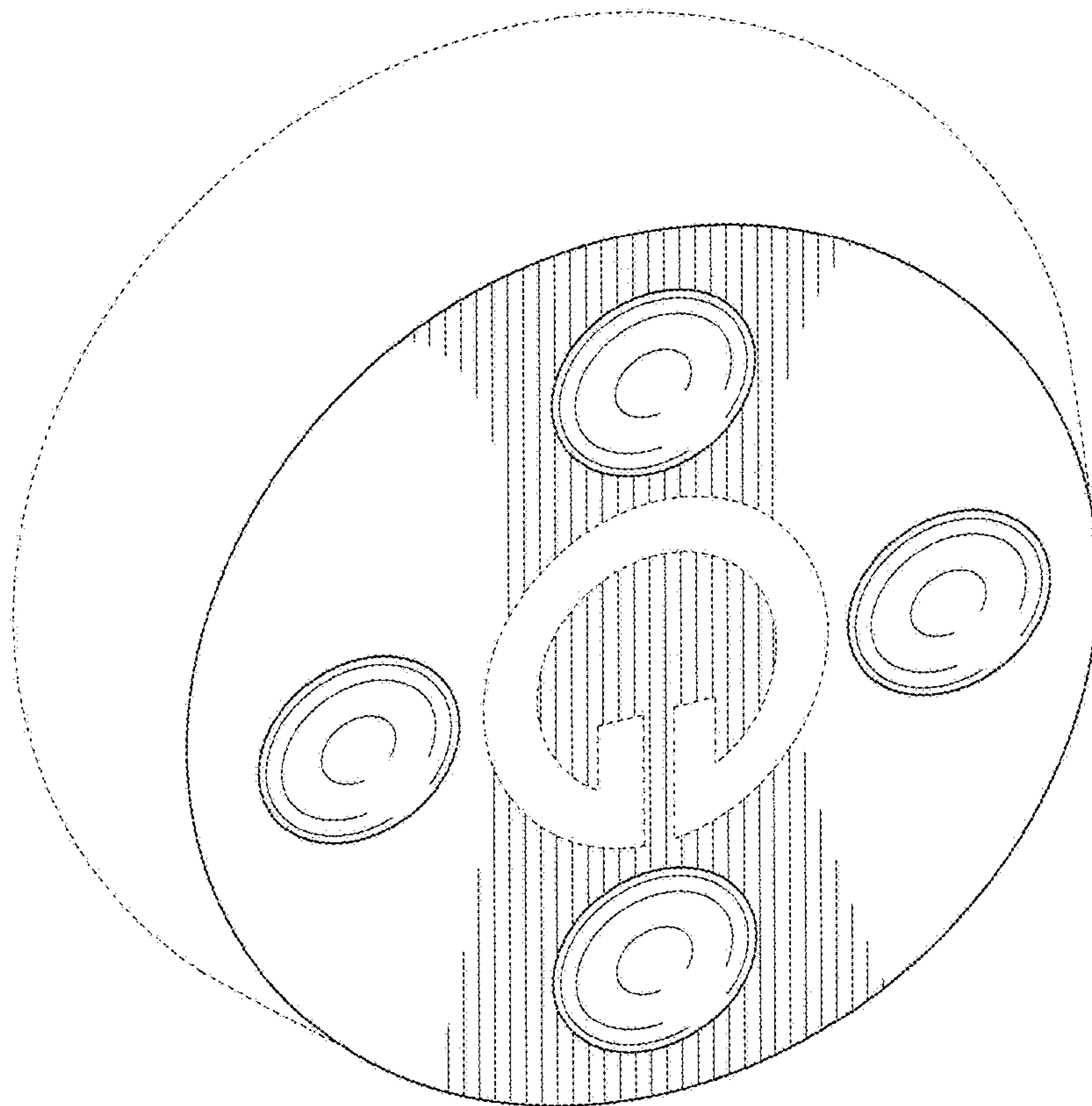


FIG. 1

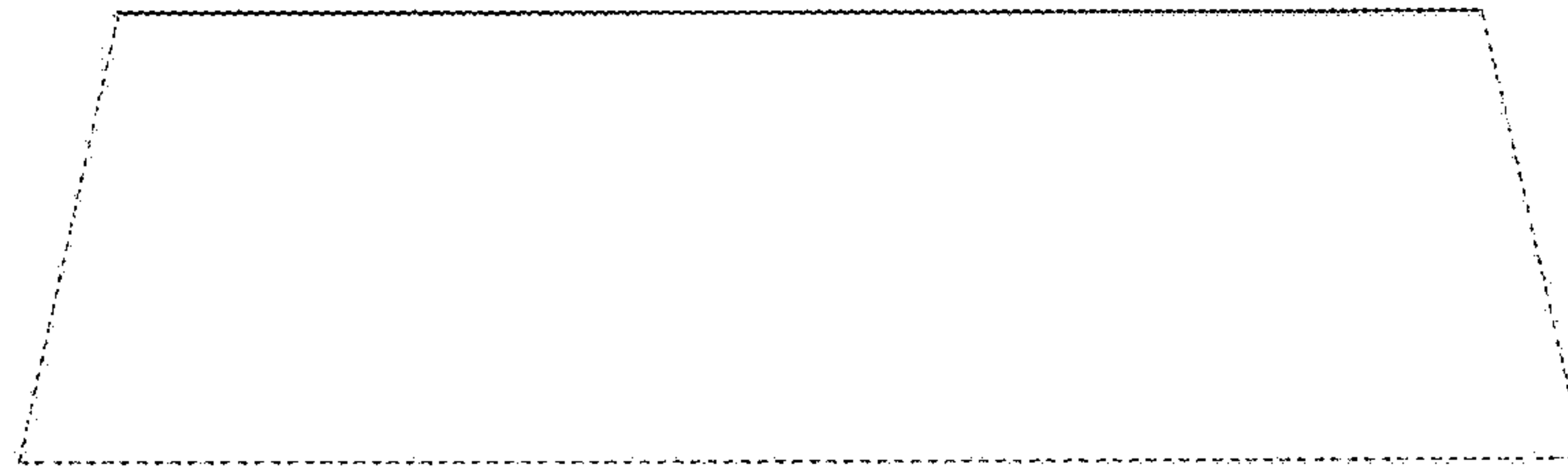


FIG. 2

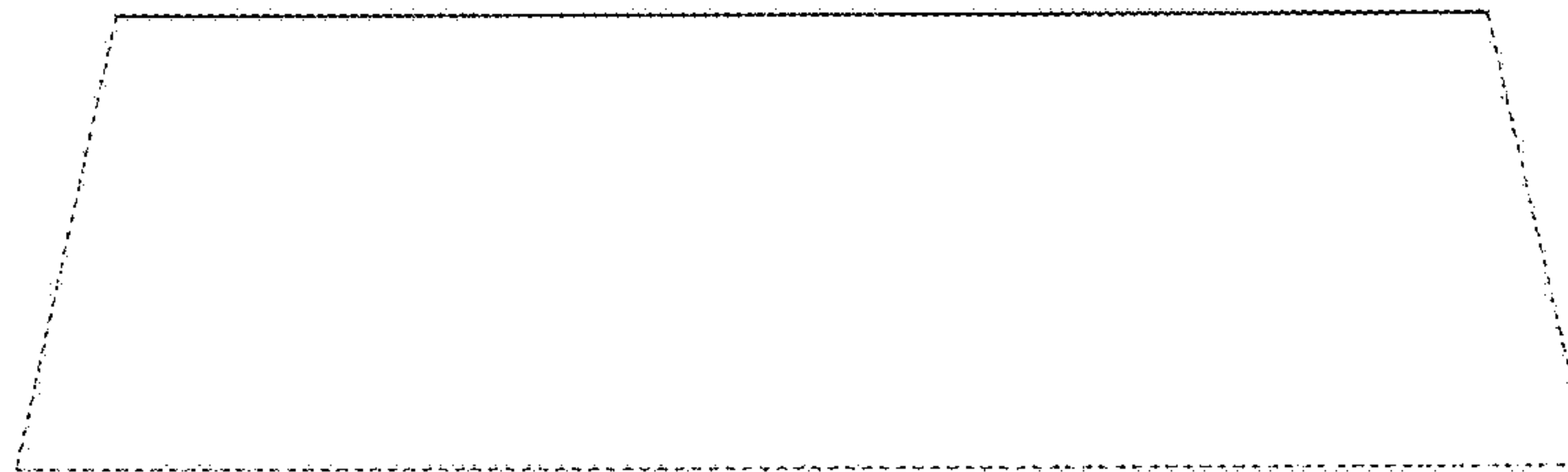


FIG. 3

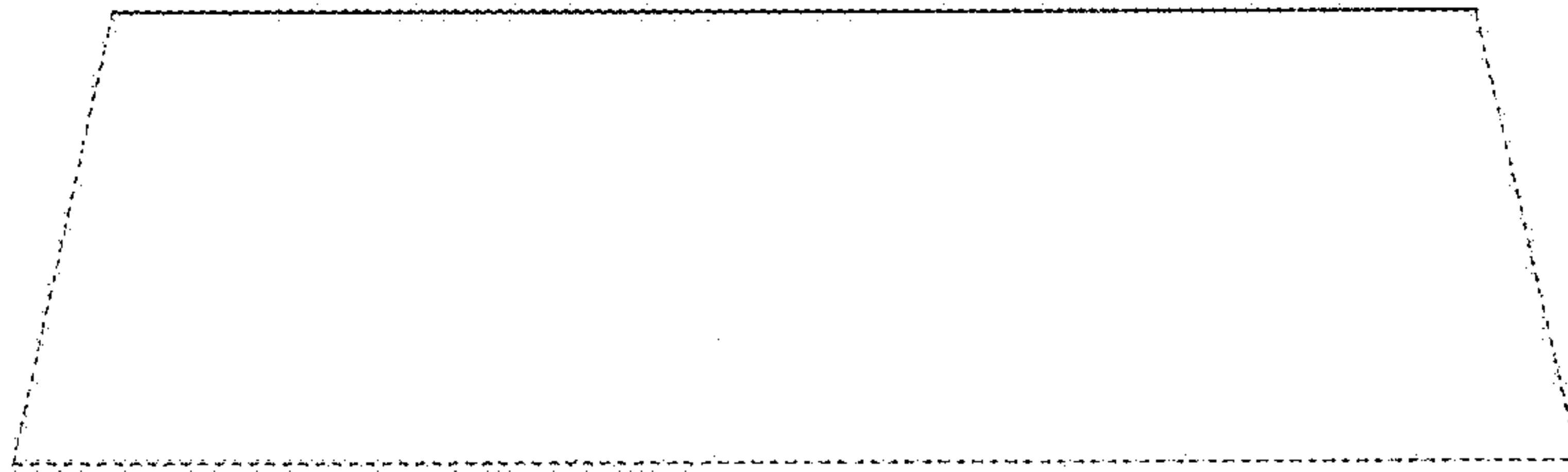


FIG. 4

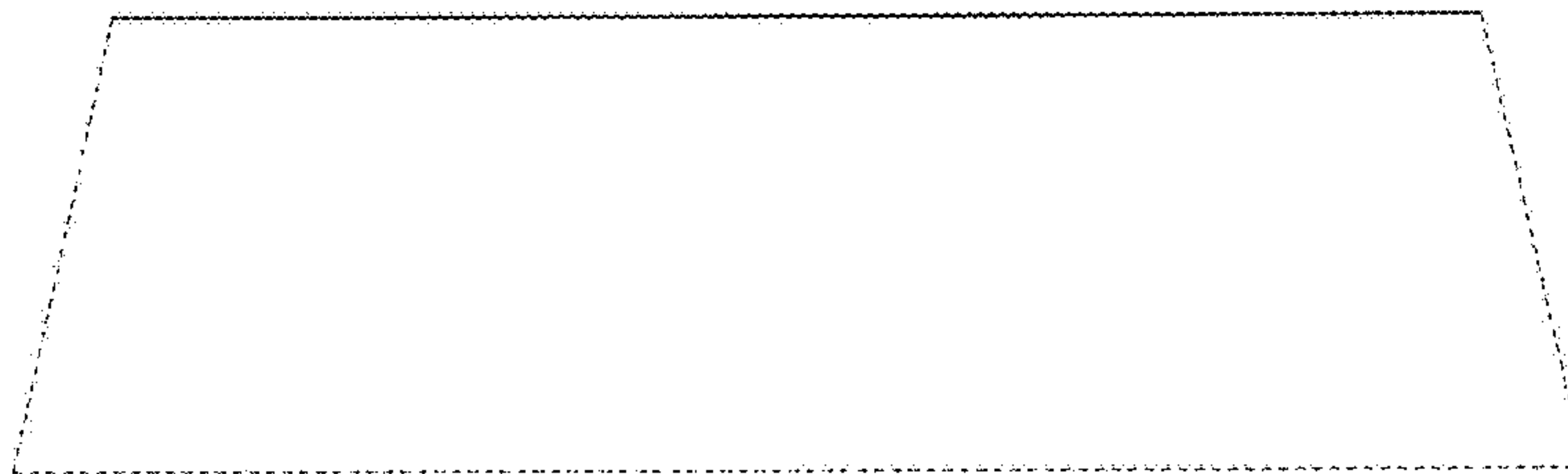


FIG. 5



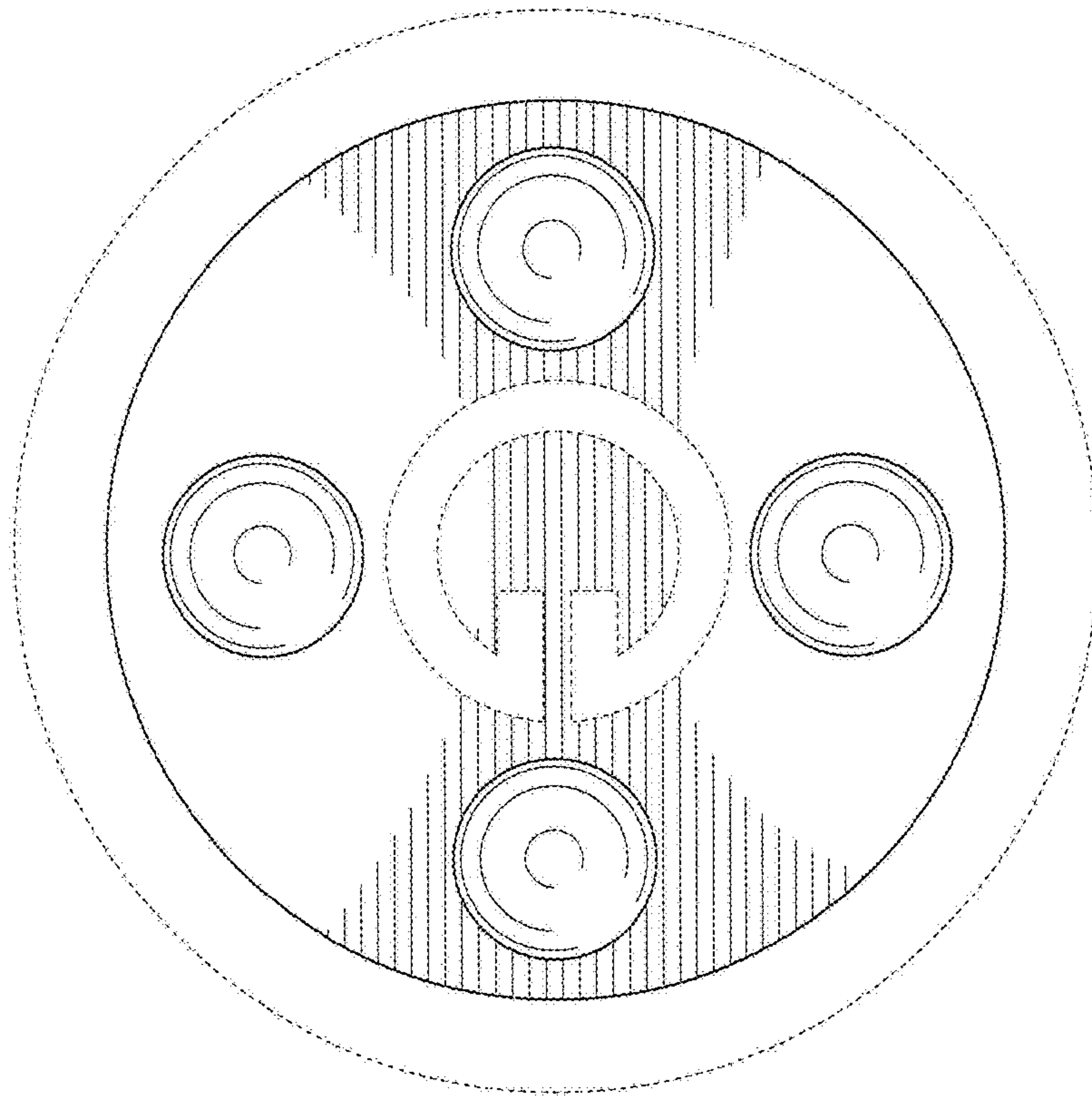


FIG. 6