



US00D857649S

(12) **United States Design Patent**  
**Ohlander et al.**

(10) **Patent No.:** **US D857,649 S**

(45) **Date of Patent:** **\*\* Aug. 27, 2019**

(54) **BATTERY COMPARTMENT LOCKING MECHANISM**

(71) Applicant: **Honeywell International Inc.**, Morris Plains, NJ (US)

(72) Inventors: **Lisa Ohlander**, Domsten (SE); **May Wilson**, Wokingham (GB); **Alex Xu**, Shanghai (CN)

(73) Assignee: **HONEYWELL INTERNATIONAL INC.**, Morris Plains, NJ (US)

(\*\*) Term: **15 Years**

(21) Appl. No.: **29/608,508**

(22) Filed: **Jun. 22, 2017**

(51) **LOC (12) Cl.** ..... **14-01**

(52) **U.S. Cl.**  
USPC ..... **D14/205**

(58) **Field of Classification Search**  
USPC ..... D14/204, 205, 206, 223, 224, 225, 249, D14/372, 433, 138 R, 188, 192, 172,  
(Continued)

(56) **References Cited**

**U.S. PATENT DOCUMENTS**

D244,213 S \* 5/1977 Besasie ..... D14/223  
D244,864 S \* 6/1977 Brooks ..... D13/119  
(Continued)

**FOREIGN PATENT DOCUMENTS**

CN 304677952 \* 6/2018  
EP 005253754-0001 \* 6/2018  
(Continued)

**OTHER PUBLICATIONS**

Cadillac ATS Battery Cover Latch, published Jan. 16, 2018 [online], [retrieved Dec. 10, 2018], Available from Internet, URL: <<https://www.thingiverse.com/thing:2758431>>.\*  
(Continued)

*Primary Examiner* — Barbara Fox

*Assistant Examiner* — Mary C Ramirez

(74) *Attorney, Agent, or Firm* — Wick Phillips Gould & Martin, LLP

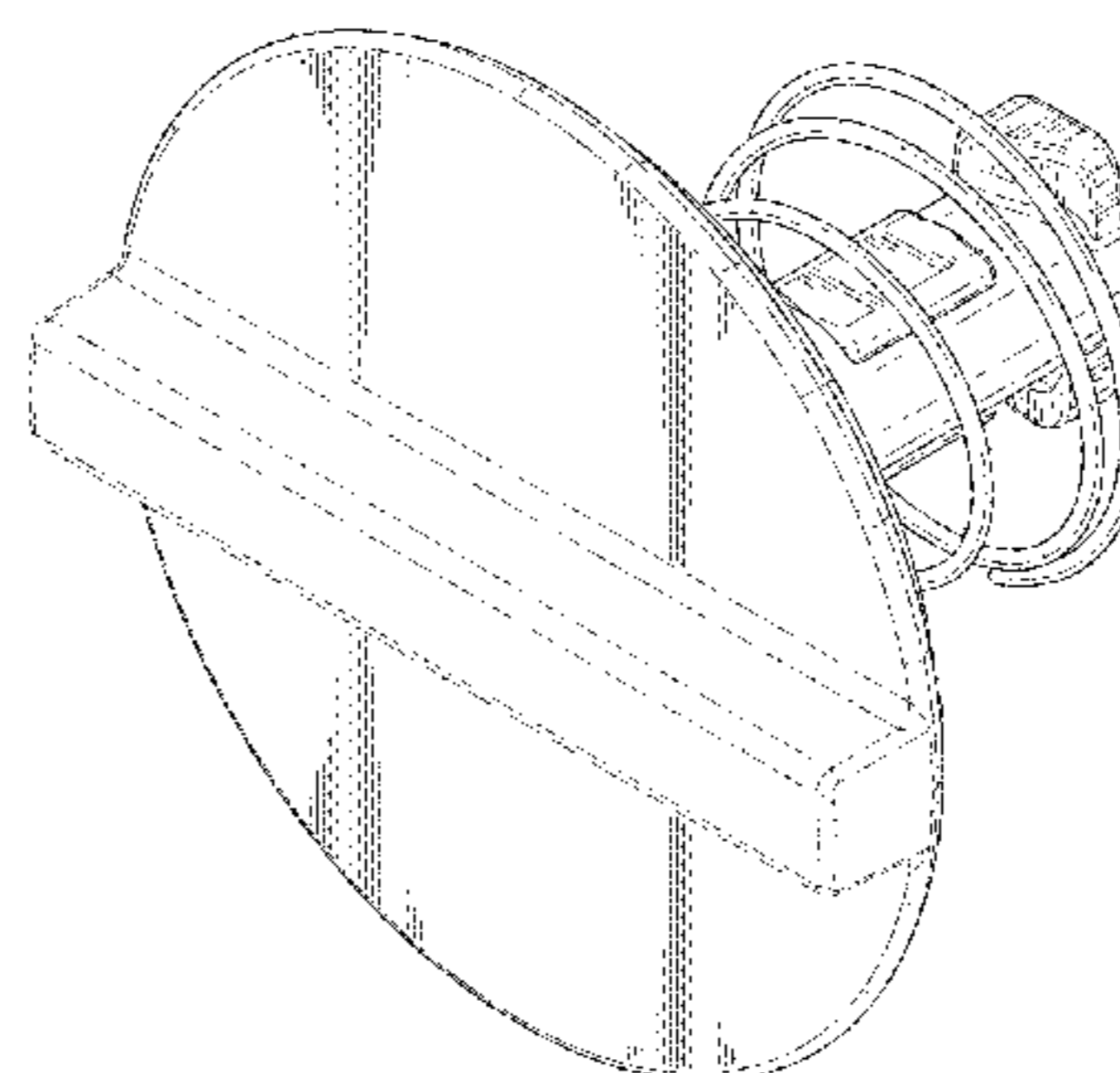
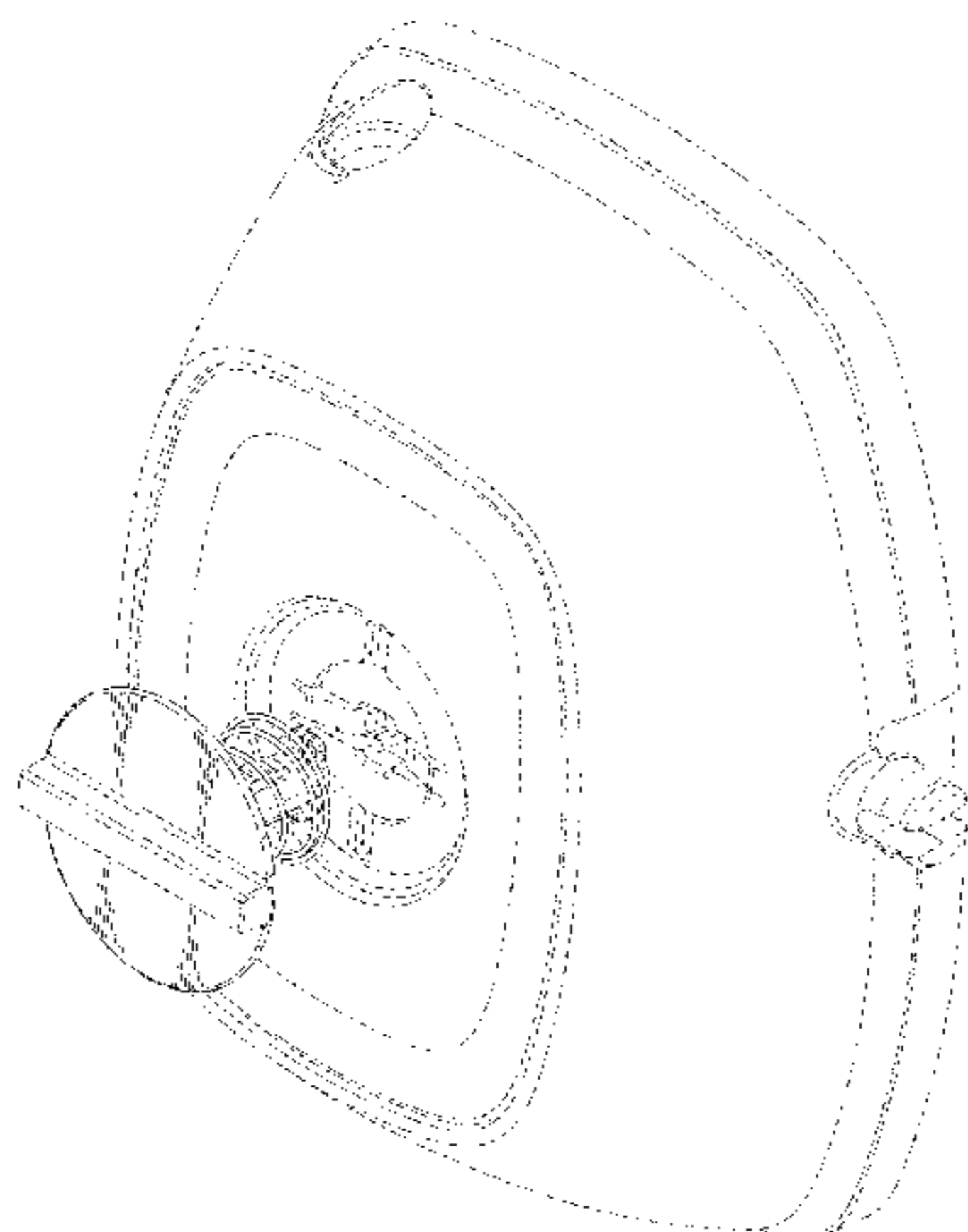
(57) **CLAIM**

The ornamental design for a battery compartment locking mechanism, as shown and described.

**DESCRIPTION**

FIG. 1 is a front perspective view of a battery compartment locking mechanism in accordance with our new design; FIG. 2 is a front elevation view thereof; FIG. 3 is a rear elevation view thereof; FIG. 4 is a right side elevation view thereof; FIG. 5 is a left side elevation view thereof; FIG. 6 is a top elevation view thereof; and; FIG. 7 is a bottom elevation view thereof; FIG. 8 is an enlarged perspective view of the battery compartment locking mechanism of FIG. 1 shown without environmental subject matter to show aspects of the design that are not visible when combined; FIG. 9 is a front elevation view thereof; FIG. 10 is a rear elevation view thereof; FIG. 11 is a right side elevation view thereof; FIG. 12 is a left side elevation view thereof; FIG. 13 is a top elevation view thereof; FIG. 14 is a bottom elevation view thereof; and, FIG. 15 is a rear perspective view thereof. The broken lines shown on the front of the battery compartment locking mechanism depict portions of the battery compartment locking mechanism that form no part of the claimed design. All other broken lines shown in the drawings depict environmental subject matter and form no part of the claimed design.

**1 Claim, 15 Drawing Sheets**



(58) **Field of Classification Search**

USPC ..... D14/203.1, 191, 496; D29/112; D28/41;  
 D2/875; D24/174, 173, 106; D8/330,  
 D8/341; D13/118, 108, 119  
 CPC ..... H04R 25/02; H04R 25/00; H04R 1/10;  
 H04R 1/1016; H04R 1/105; H04R  
 1/1083; H04R 1/02; H04R 1/1041; H04R  
 1/28; H04R 5/033; H04R 2420/07; H04R  
 2430/00; H04R 2430/01  
 See application file for complete search history.

(56) **References Cited**

U.S. PATENT DOCUMENTS

4,065,645 A \* 12/1977 Warner ..... H04R 5/0335  
 381/371  
 D377,174 S \* 1/1997 Runquist ..... D14/206  
 D413,413 S \* 8/1999 Dillon ..... D14/205  
 D439,561 S \* 3/2001 Lee, IV ..... D13/103  
 D443,496 S \* 6/2001 DeCosse ..... D8/300  
 D445,017 S \* 7/2001 Kronemeyer ..... D8/337  
 6,456,199 B1 \* 9/2002 Michael ..... A61F 11/12  
 340/540  
 D467,788 S \* 12/2002 Malmanger ..... D8/341  
 D521,314 S \* 5/2006 Ball ..... D7/393  
 D576,019 S \* 9/2008 Kim ..... D8/331  
 D578,375 S \* 10/2008 Samhammer ..... D8/331  
 D631,727 S \* 2/2011 Hontz ..... D8/331  
 D639,775 S \* 6/2011 Horibe ..... D14/205  
 D656,385 S \* 3/2012 Rosario ..... D8/337  
 8,194,897 B2 \* 6/2012 Choi ..... H04R 5/02  
 181/148  
 D703,998 S \* 5/2014 Funnell, II ..... D7/393

D710,675 S \* 8/2014 Kiechel ..... D8/331  
 D720,199 S \* 12/2014 Clements ..... D8/311  
 D754,632 S \* 4/2016 Matsumura ..... D14/205  
 D767,510 S \* 9/2016 Zheng ..... D13/168  
 D769,218 S \* 10/2016 Mittal ..... D14/205  
 D769,224 S \* 10/2016 Xu ..... D14/215  
 D772,204 S \* 11/2016 Tsou ..... D14/223  
 D779,305 S \* 2/2017 Ku ..... D8/330  
 D807,320 S \* 1/2018 Wong ..... D14/204  
 D808,243 S \* 1/2018 Clements ..... D8/311  
 D820,812 S \* 6/2018 Bidwell ..... D14/206  
 D831,000 S \* 10/2018 Chong ..... D14/206  
 2007/0274529 A1 \* 11/2007 Nordin ..... A61F 11/14  
 381/72  
 2008/0089544 A1 \* 4/2008 Ito ..... H04R 1/10  
 381/370  
 2015/0117660 A1 4/2015 Fletcher et al.  
 2018/0184194 A1 \* 6/2018 Ohlander ..... A61F 11/14

FOREIGN PATENT DOCUMENTS

WO 9912385 A1 3/1999  
 WO 2016126476 A1 8/2016

OTHER PUBLICATIONS

Inductive proximity z-probe adapter, published Dec. 12, 2015  
 [online], [retrieved Dec. 10, 2018], Available from Internet, URL:  
 <<https://www.thingiverse.com/thing:1195525>>.\*  
 Community Design Registration No. 003534205-0001, Notice of  
 Registration of Community Design, dated Dec. 22, 2016, 5 pages.  
 European Patent Application No. 16206229.3, Extended European  
 Search Report, dated Jun. 6, 2017, 7 pages.

\* cited by examiner

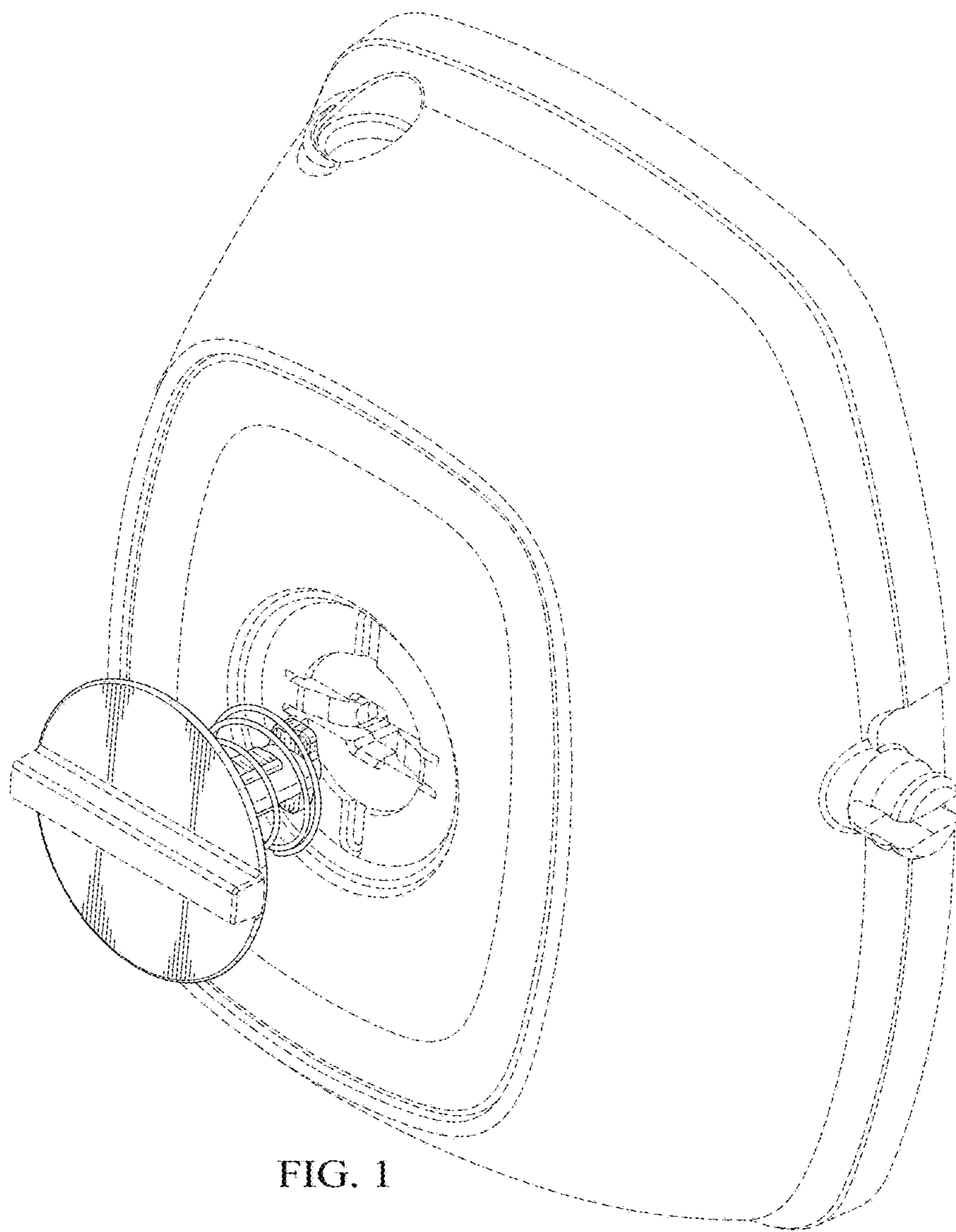


FIG. 1



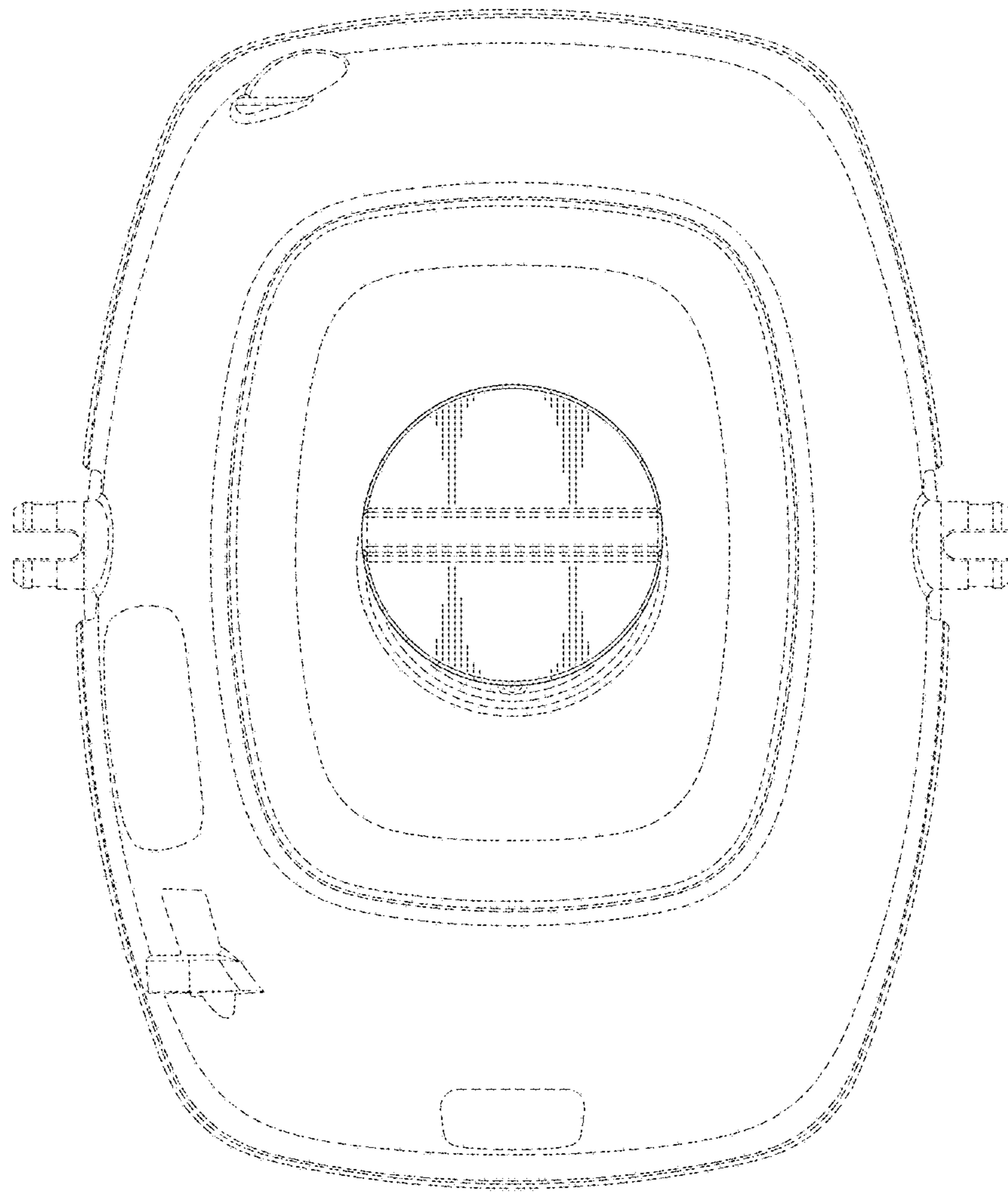


FIG. 2

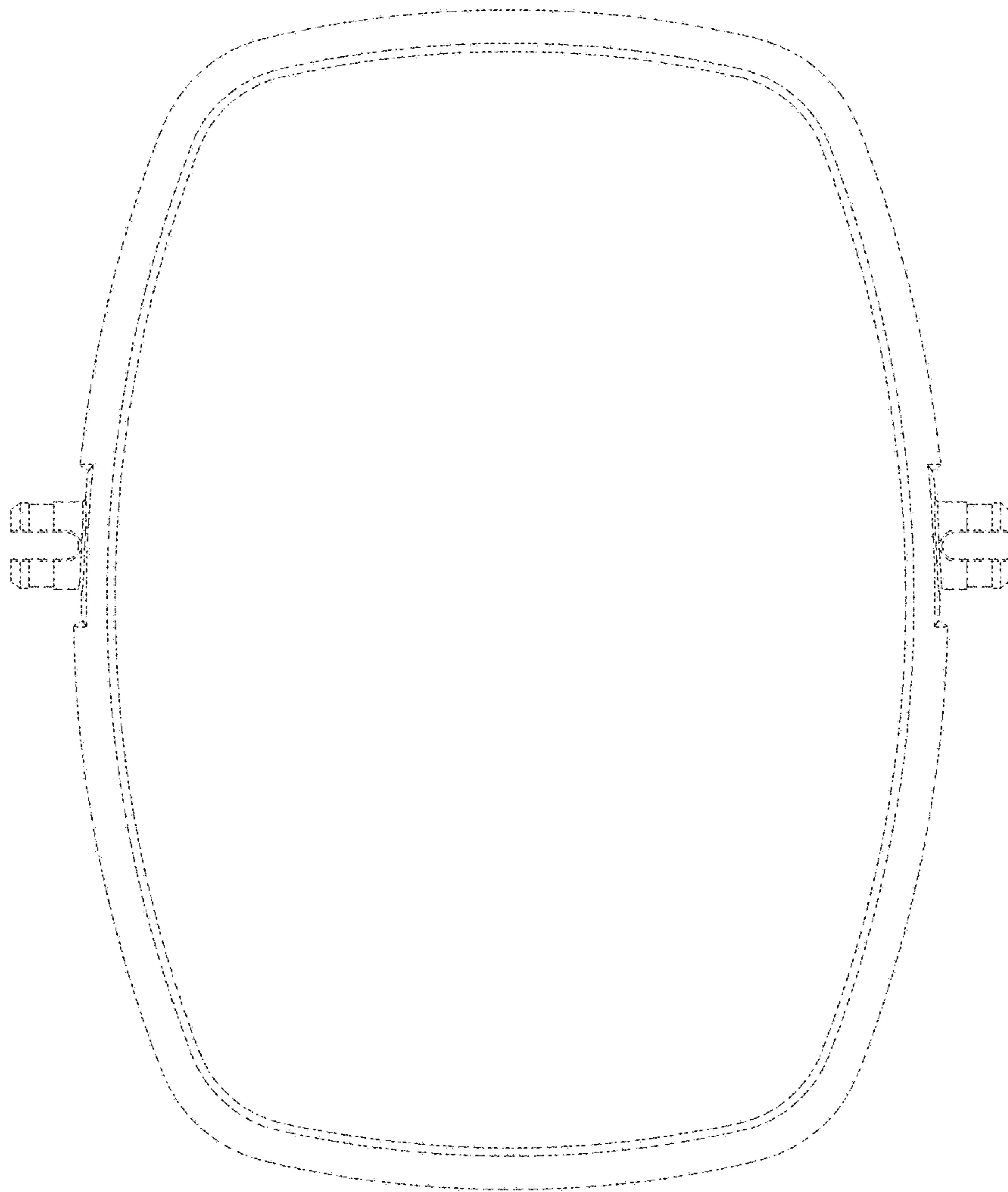


FIG. 3

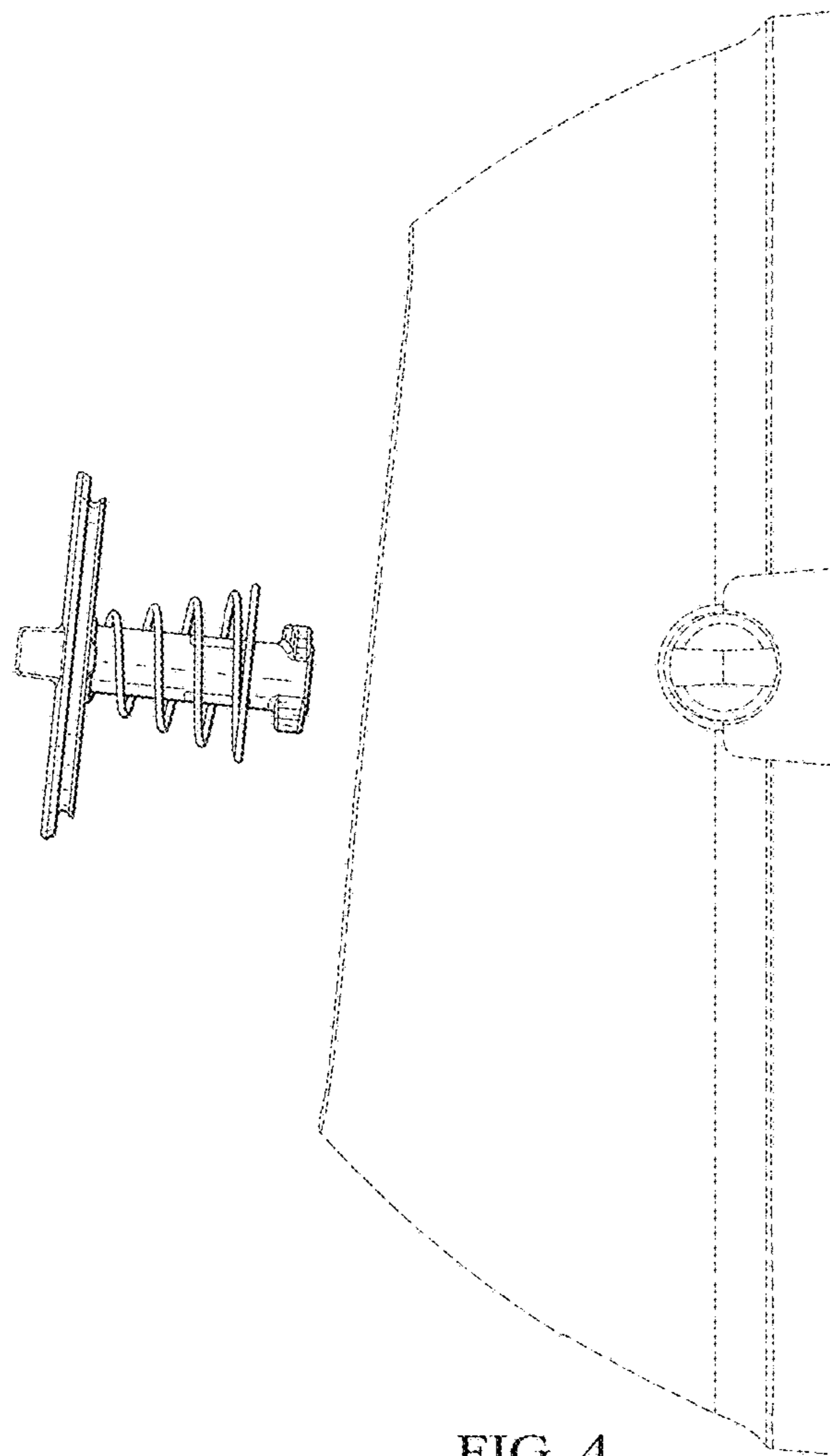


FIG. 4

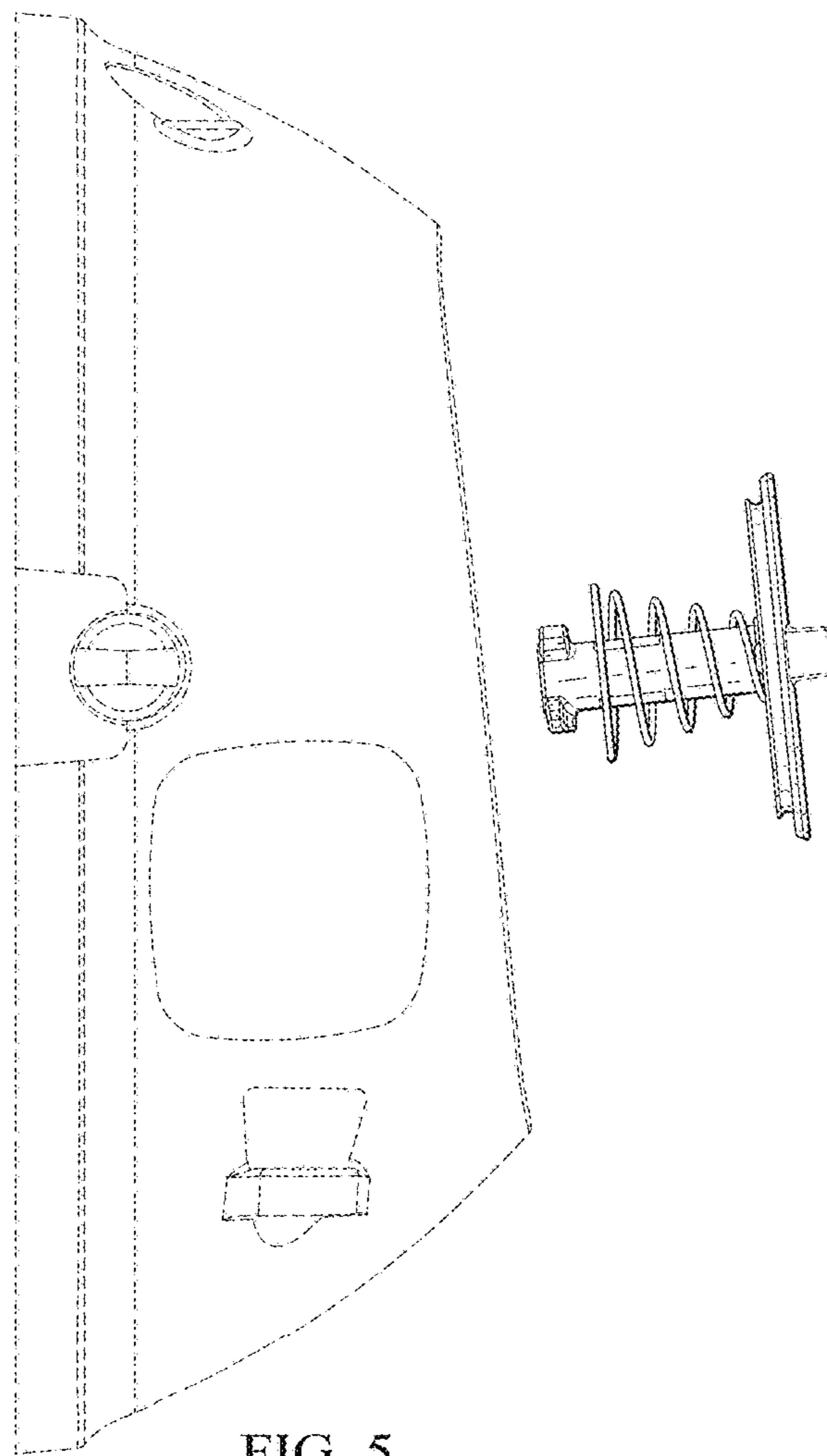


FIG. 5

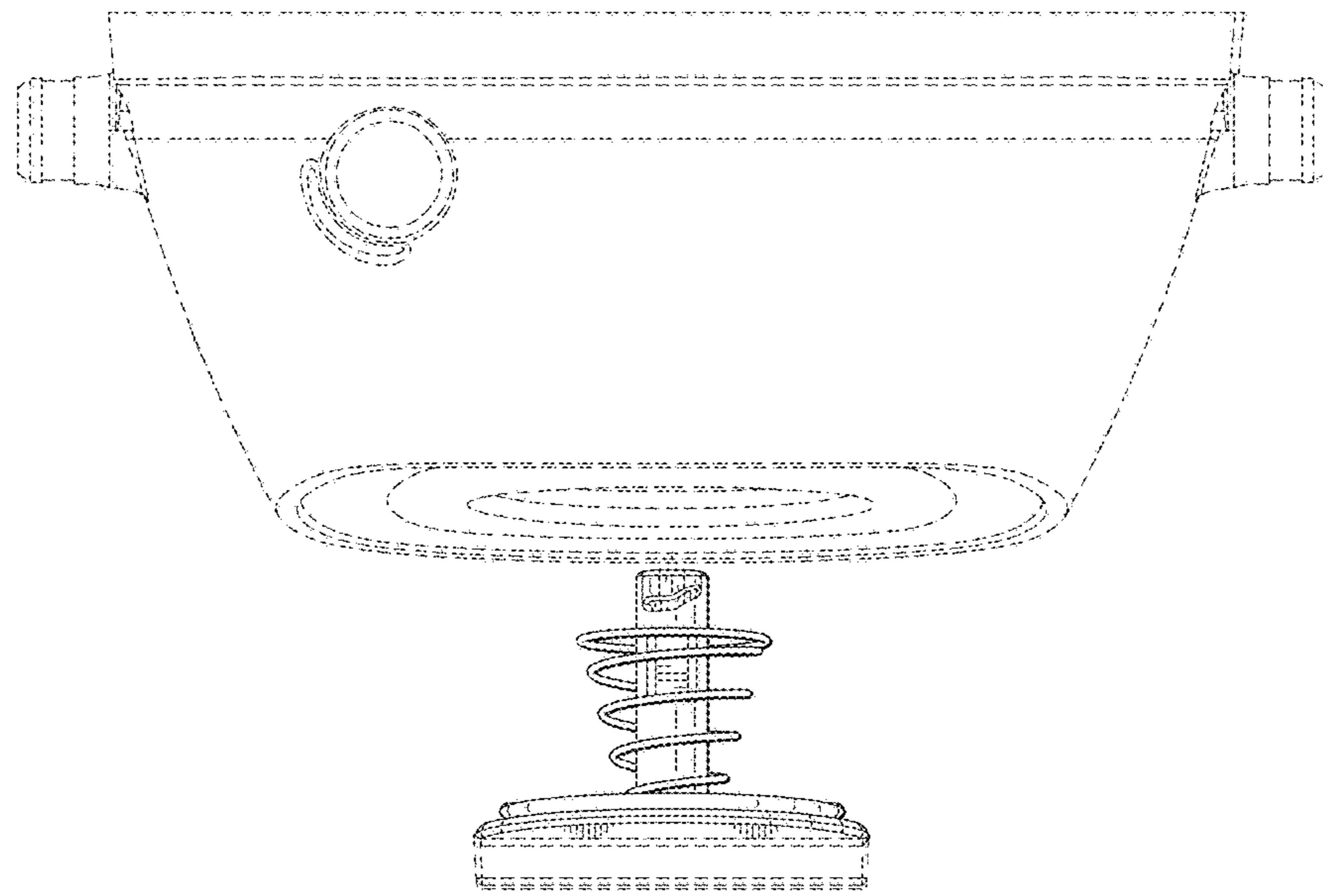


FIG. 6



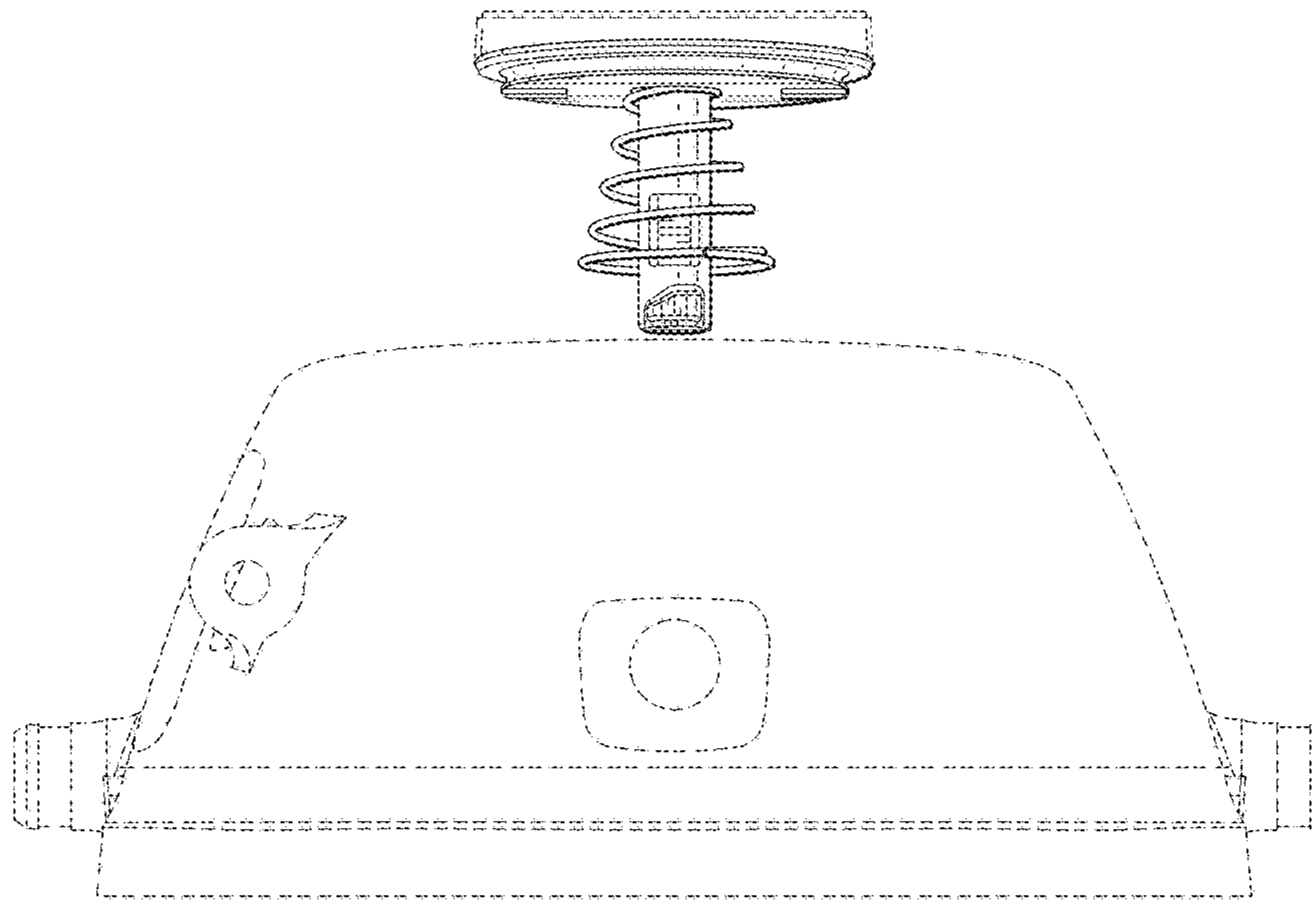
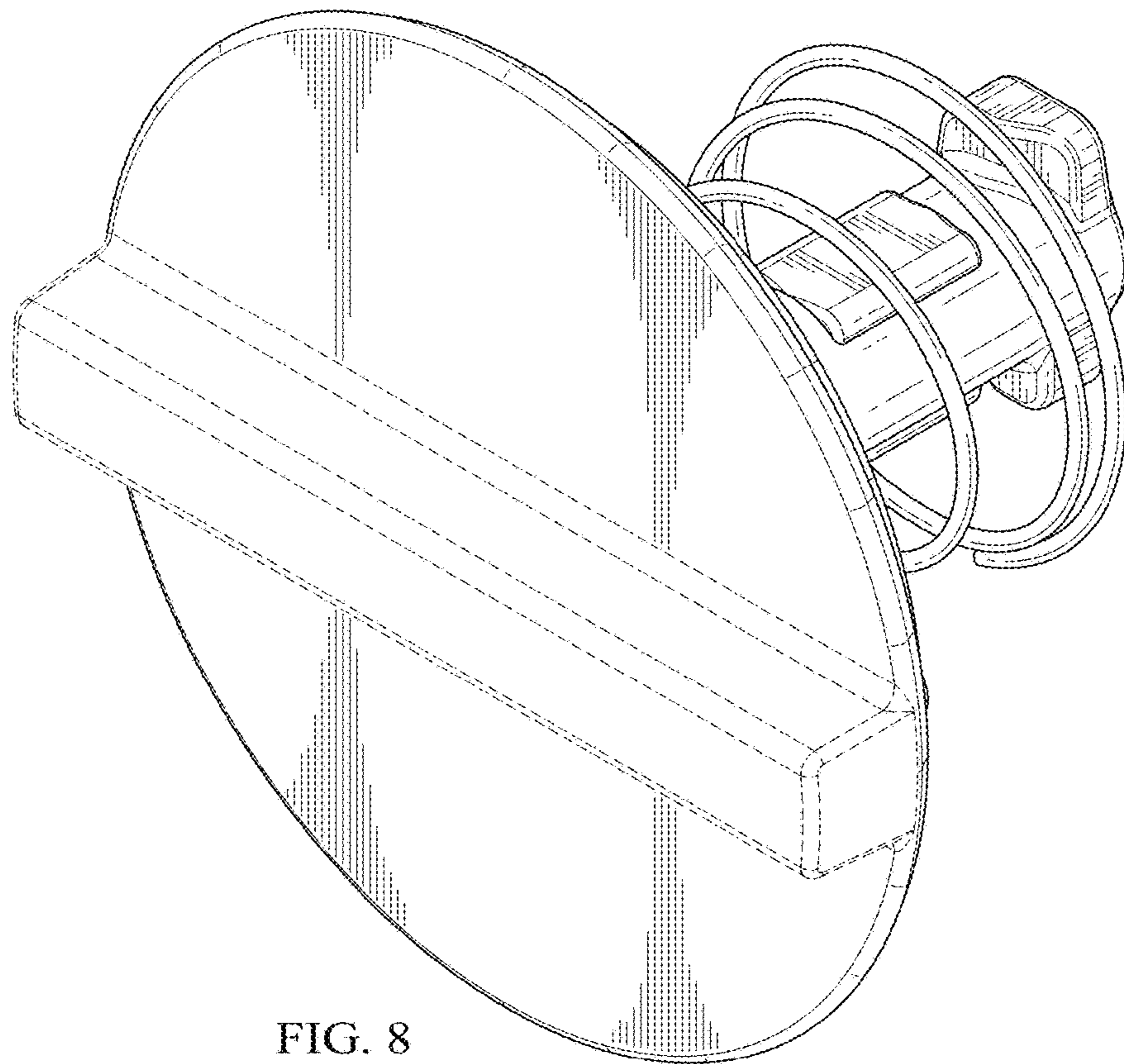


FIG. 7



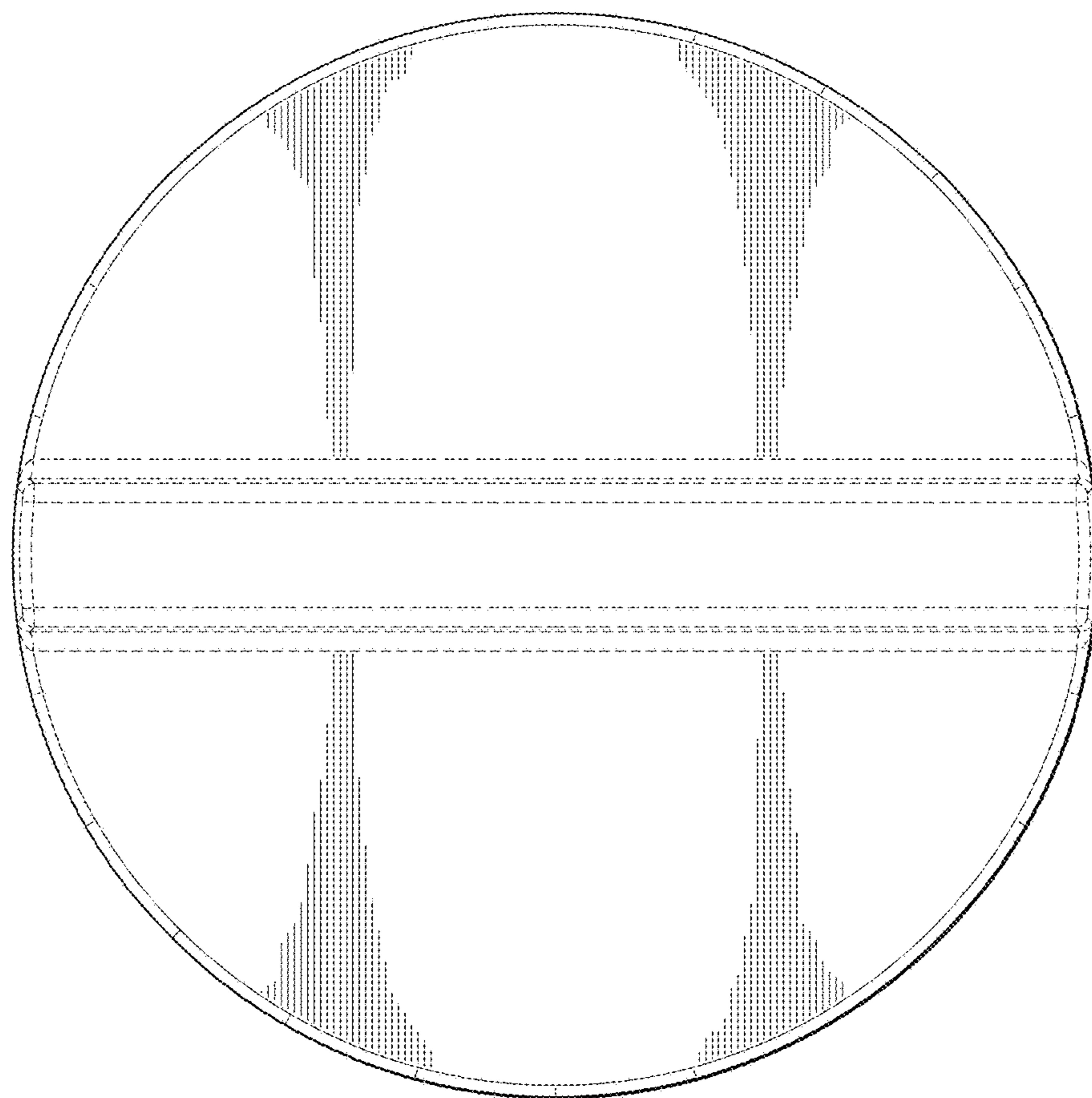


FIG. 9

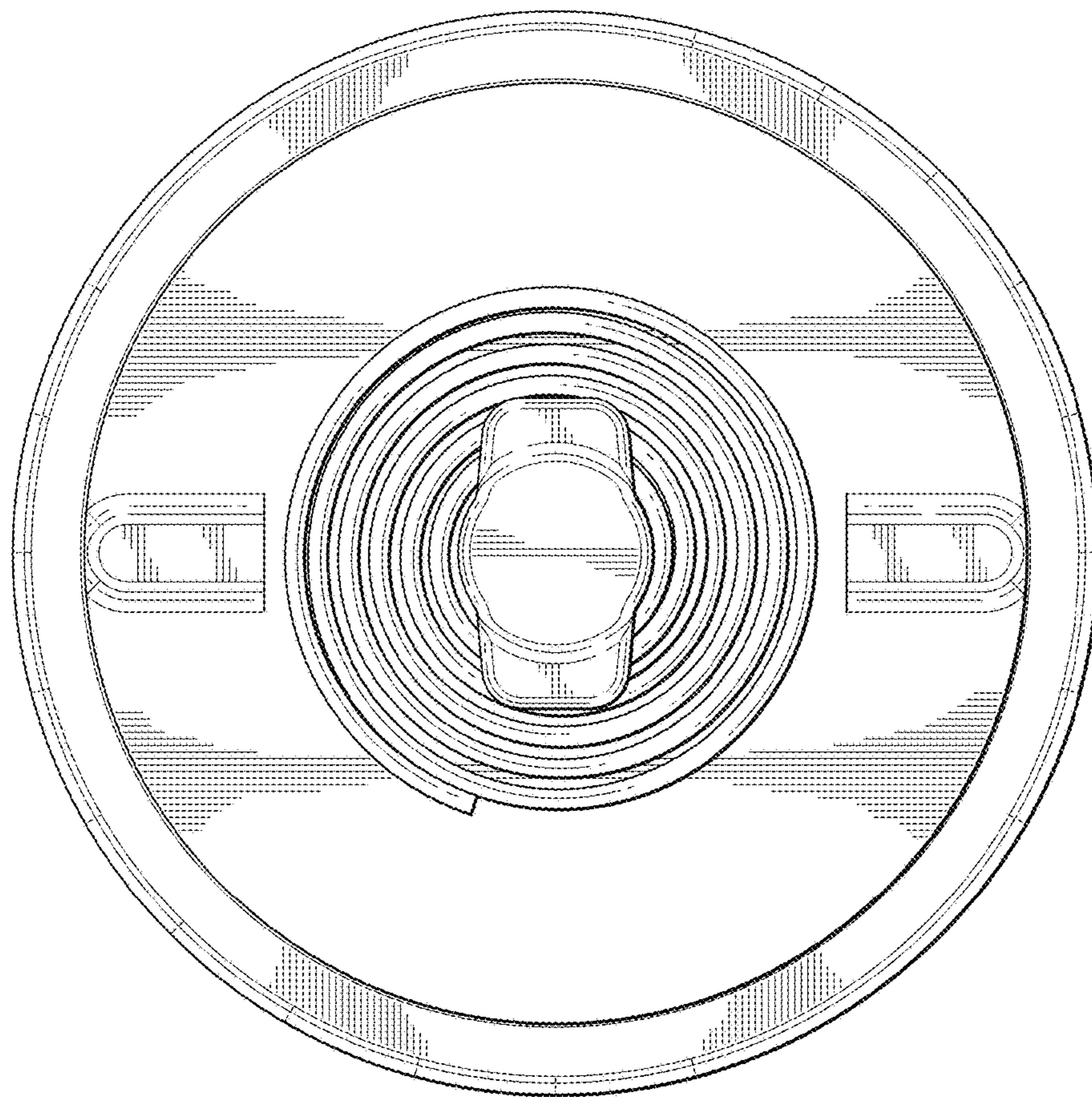


FIG. 10

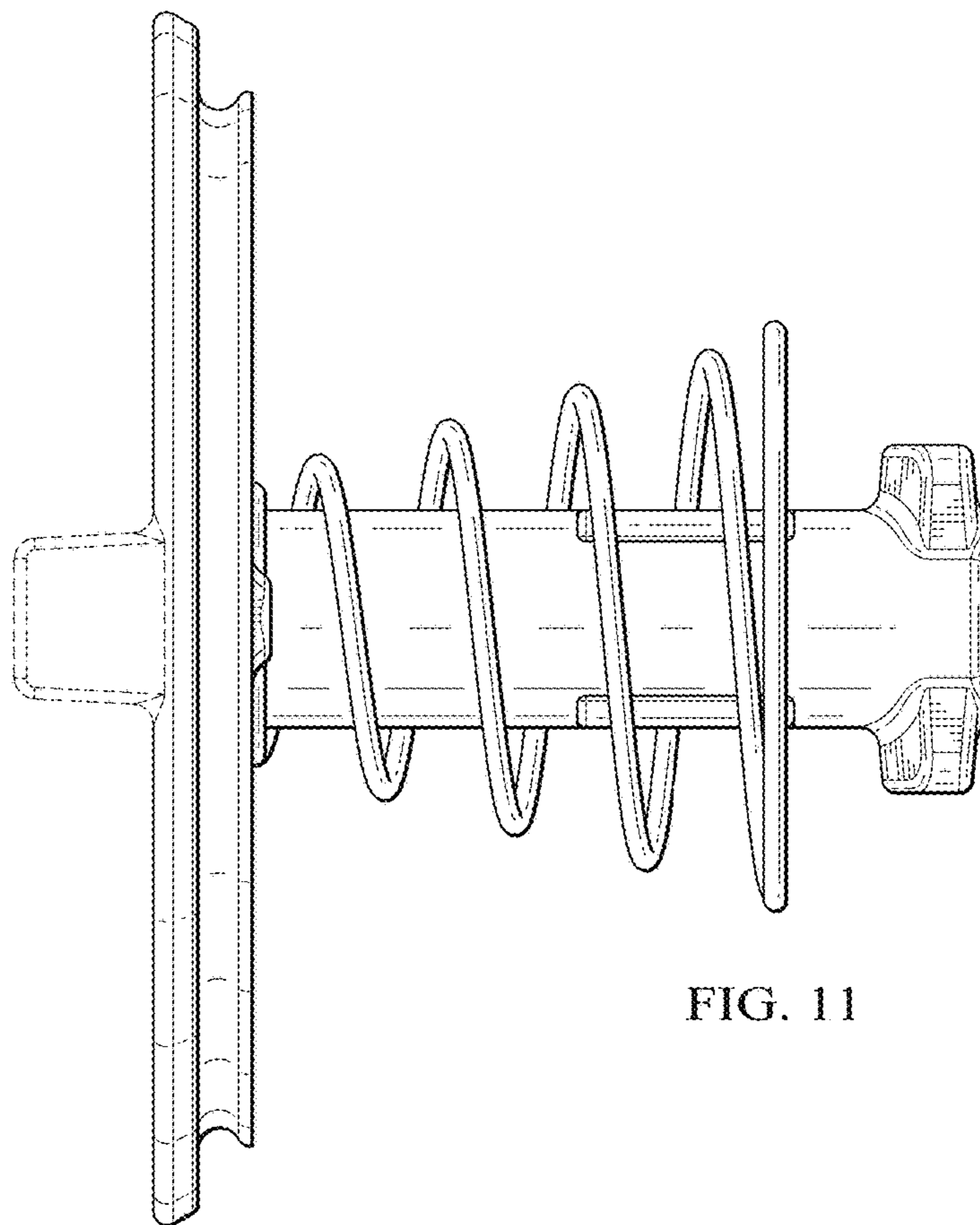


FIG. 11



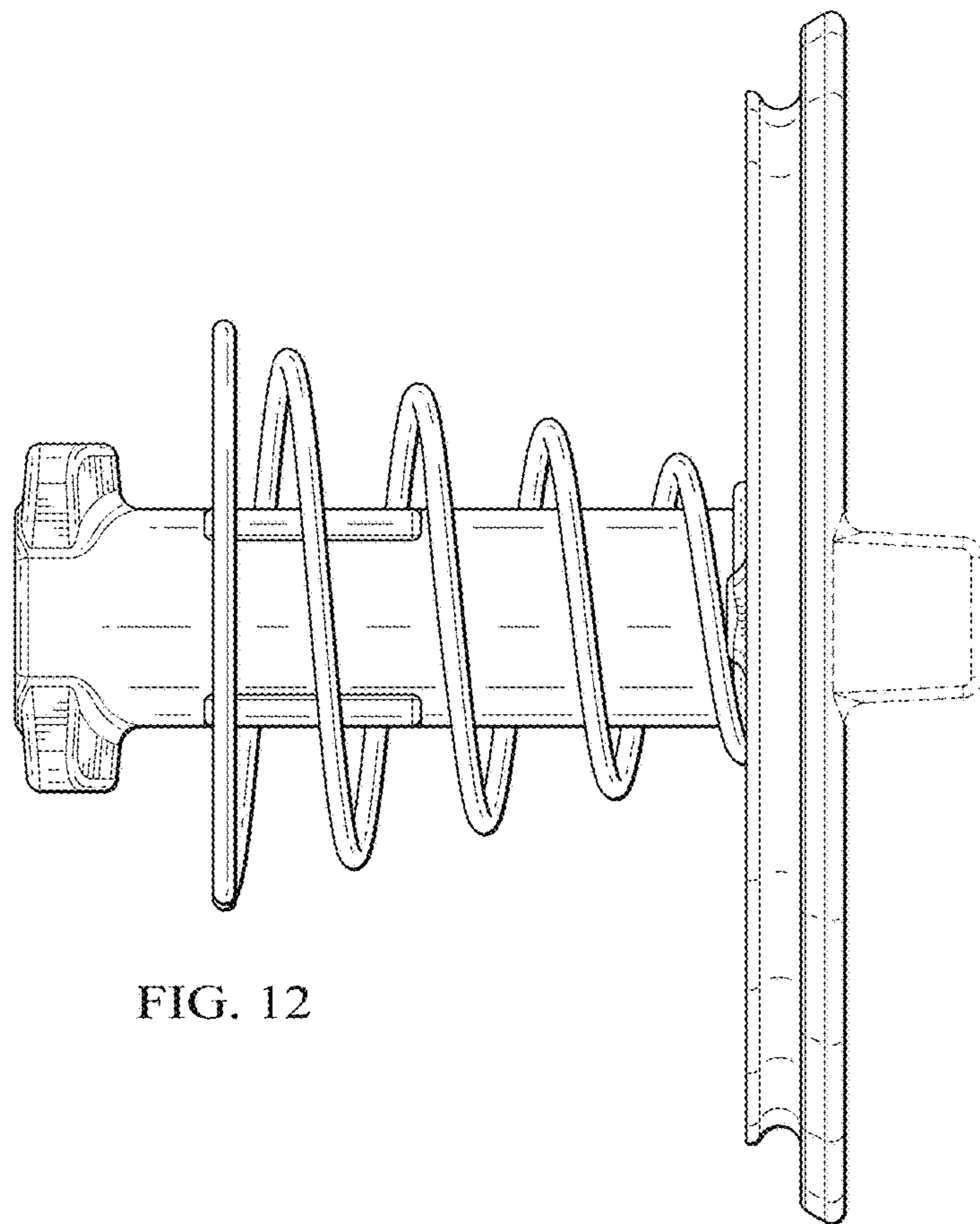


FIG. 12

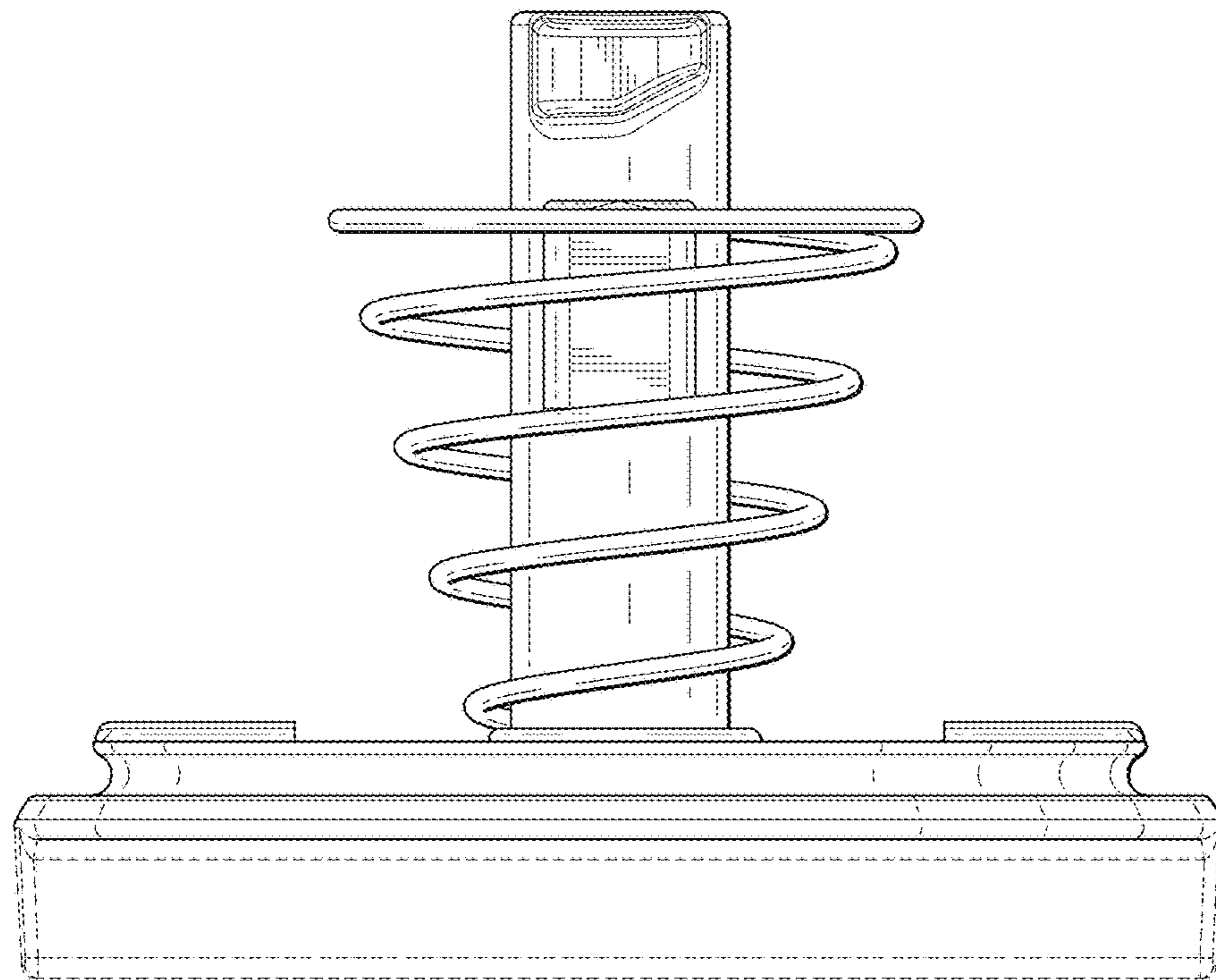


FIG. 13

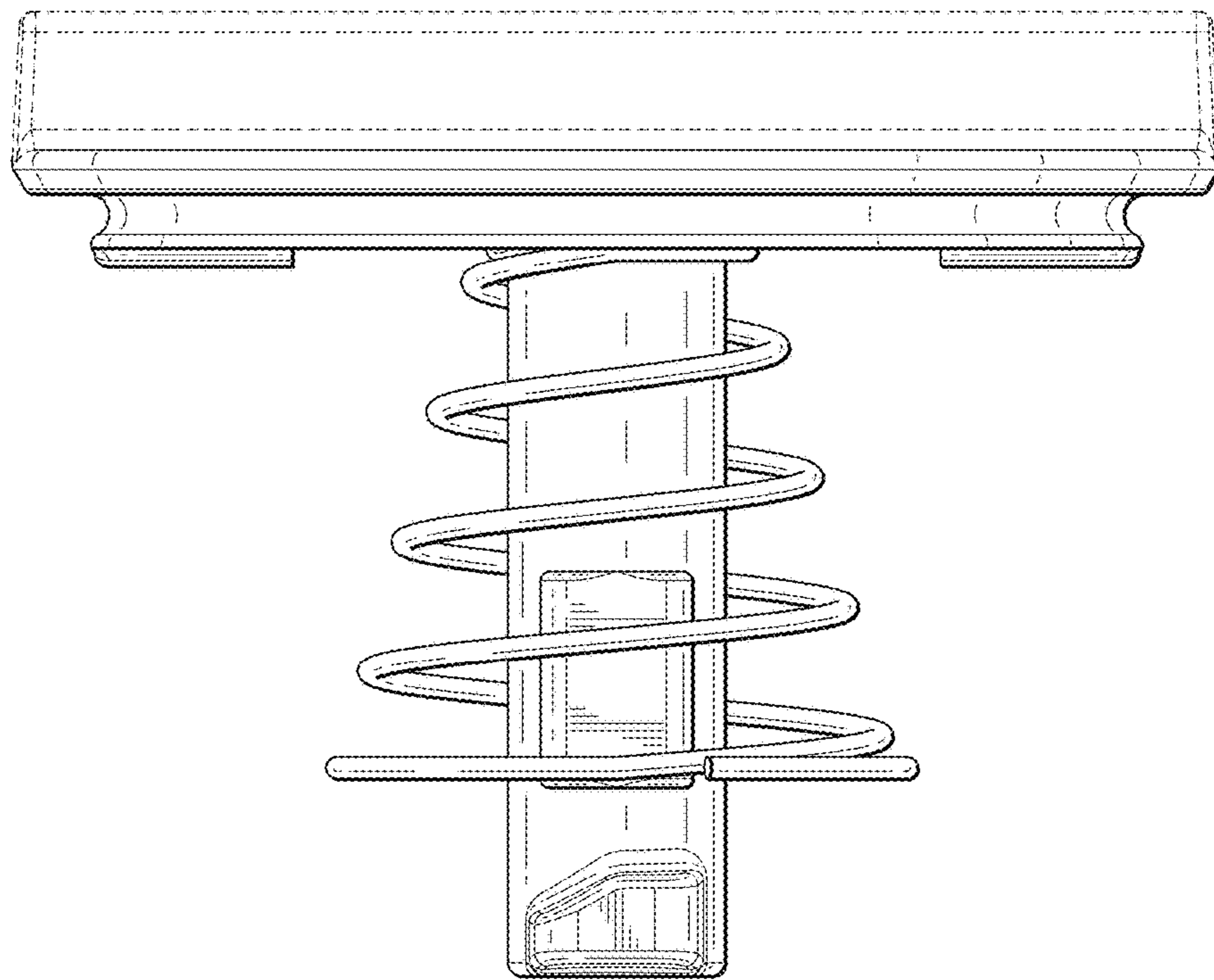


FIG. 14

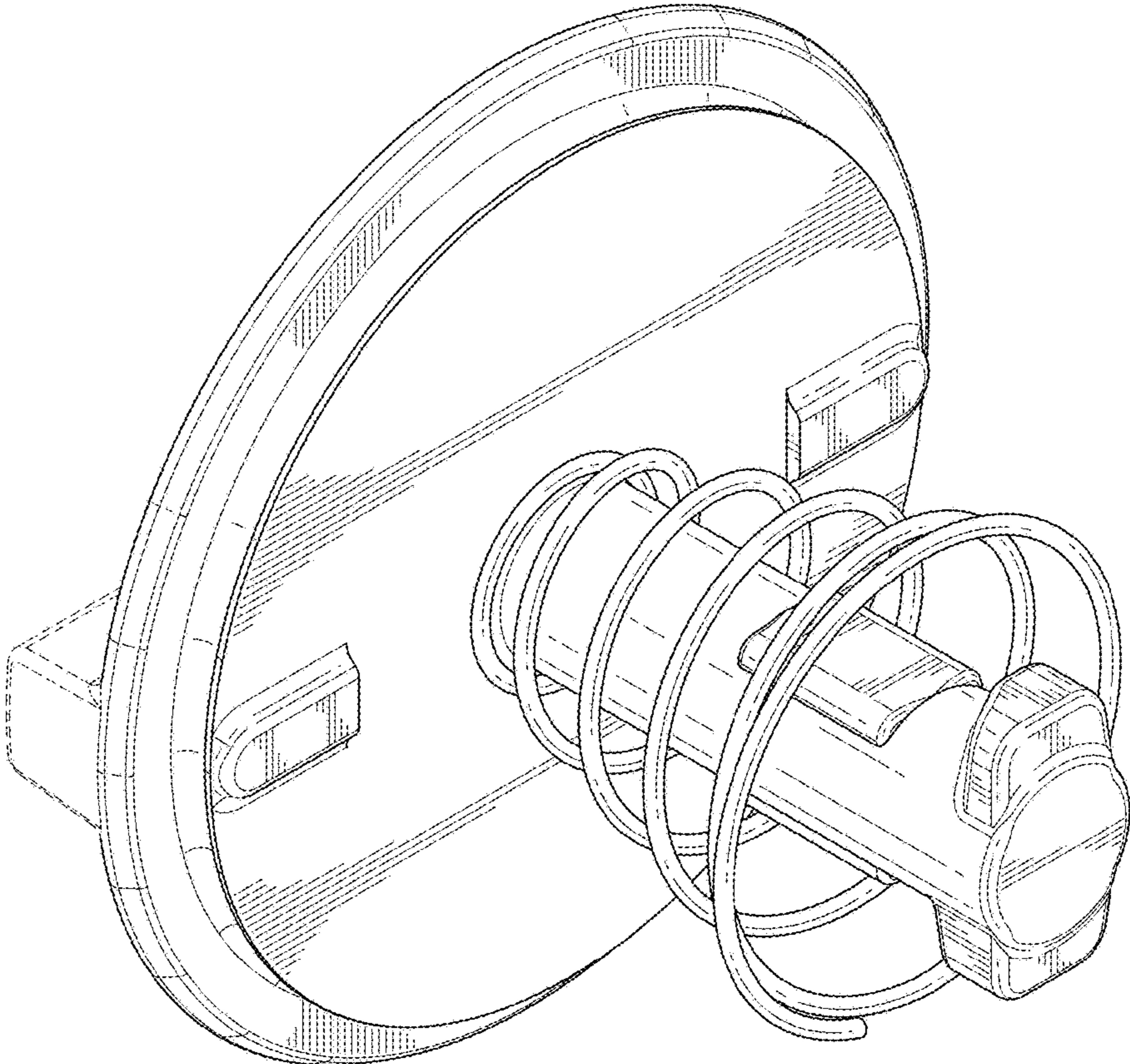


FIG. 15