



US00D857646S

(12) **United States Design Patent** (10) **Patent No.:** **US D857,646 S**
Eckstein et al. (45) **Date of Patent:** **** Aug. 27, 2019**

(54) **AUDIO AMPLIFIER**

(56) **References Cited**

(71) Applicant: **d&b audiotechnik GmbH**, Backnang (DE)

U.S. PATENT DOCUMENTS

(72) Inventors: **Michael Eckstein**, Backnang (DE);
Fritz Wurster, Backnang (DE)

D332,255 S *	1/1993	Tanaka	D14/321
D355,197 S *	2/1995	Farinelli	D14/257
D441,375 S *	5/2001	Hisatsune	D14/125
D525,969 S *	8/2006	Sugihara	D14/301
D542,241 S *	5/2007	Ryu	D14/125
D553,616 S *	10/2007	Tosh	D14/301
D564,510 S *	3/2008	Cox	D14/313
D565,542 S *	4/2008	Han	D14/211
D710,821 S *	8/2014	Marklund	D14/188
D761,247 S *	7/2016	Otsuka	D14/313
D766,872 S *	9/2016	Jeon	D14/214
D826,337 S *	8/2018	Christie	D21/332
D839,355 S *	1/2019	Christie	D21/332

(73) Assignee: **D&B AUDIOTECHNIK GMBH** (DE)

(**) Term: **15 Years**

(21) Appl. No.: **29/613,007**

(22) Filed: **Aug. 7, 2017**

* cited by examiner

(30) **Foreign Application Priority Data**

Primary Examiner — R. Johnson

Jun. 1, 2017	(EM)	004028165-0001
Jun. 1, 2017	(EM)	004028165-0002
Jun. 1, 2017	(EM)	004028165-0003
Jun. 1, 2017	(EM)	004028165-0004

(74) *Attorney, Agent, or Firm* — Ostrolenk Faber LLP

(51) **LOC (12) Cl.** **14-03**

(57) **CLAIM**

(52) **U.S. Cl.**

The ornamental design for an audio amplifier, as shown and described.

USPC **D14/188**

DESCRIPTION

(58) **Field of Classification Search**

USPC D14/496, 137, 155, 169, 171, 172, 188,
D14/204, 210, 219, 301, 308, 313, 321,
D14/322, 327

FIG. 1 is a perspective view of the front, top and left side of an audio amplifier showing our new design;

FIG. 2 is a front view thereof;

FIG. 3 is a rear view thereof;

FIG. 4 is a right side view thereof, the left side view being a mirror image of the right side view;

FIG. 5 is a top plan view thereof, the bottom plan view being identical to the top plan view; and,

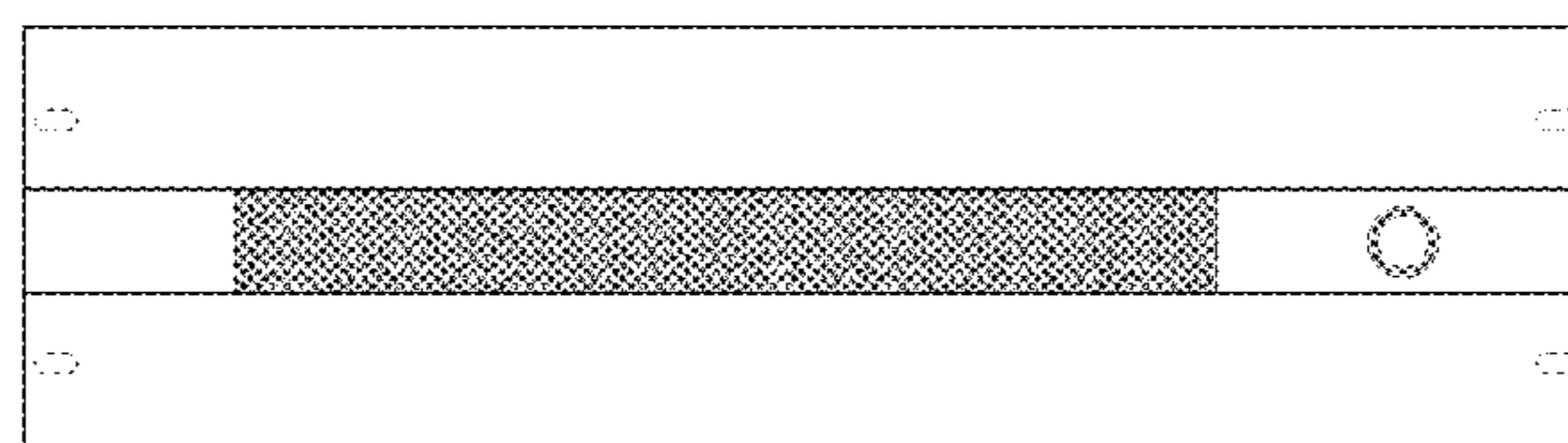
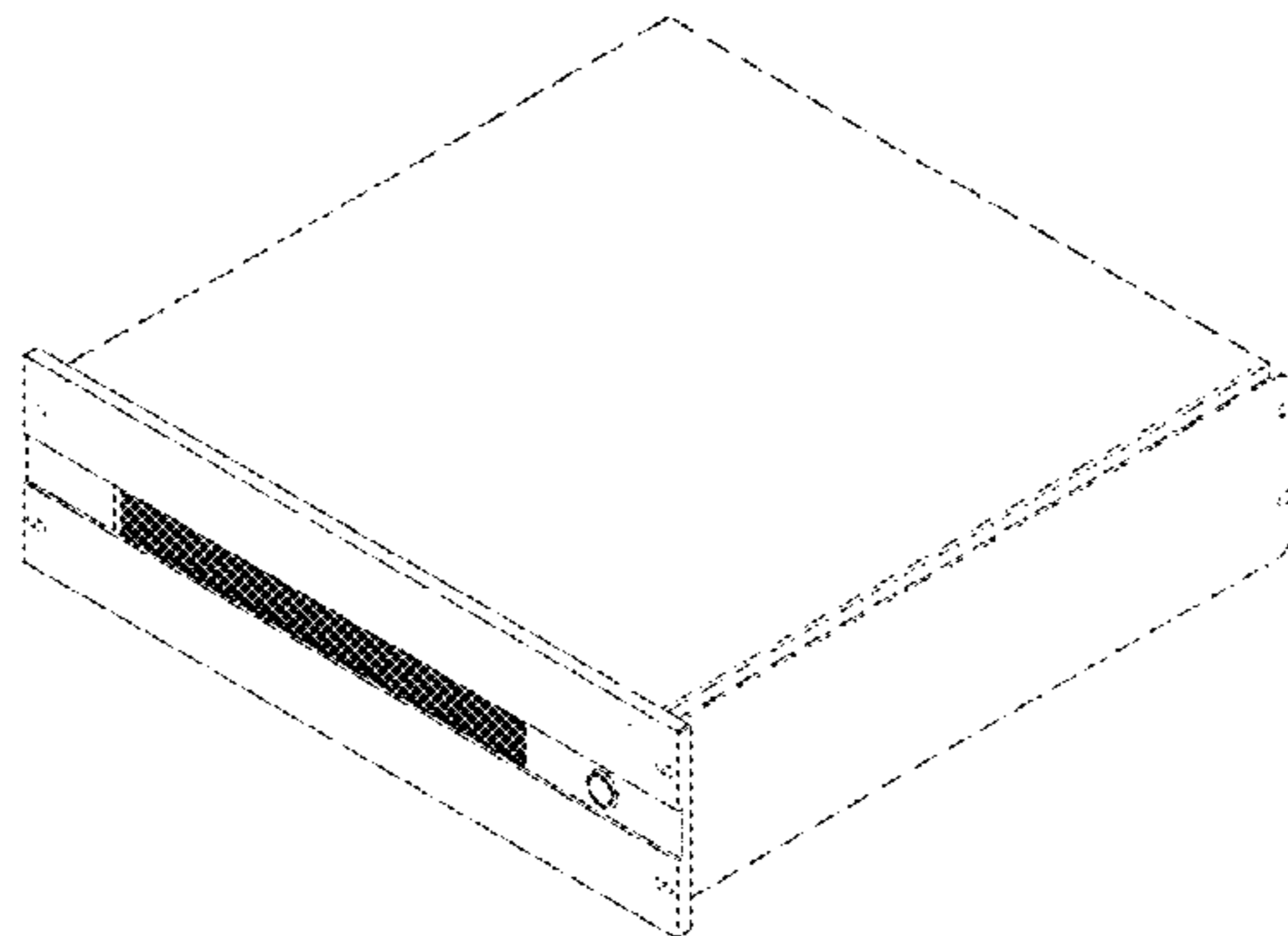
FIG. 6 is a perspective view of the rear, top and right side thereof.

The broken line disclosure in the views forms no part of the claimed design.

CPC . H04R 1/02; H04R 1/023; H04R 9/06; H04R 5/00; H03F 3/20; H03F 3/26; H03F 3/30; H03F 3/34; H03F 3/42; H03F 3/45; H03F 3/46; H04Q 1/028; H05K 7/18; H05K 7/1427; H05K 7/1485; H05K 7/1488; H05K 5/00; G10K 9/22; G06F 1/181; G06F 1/16

See application file for complete search history.

1 Claim, 6 Drawing Sheets



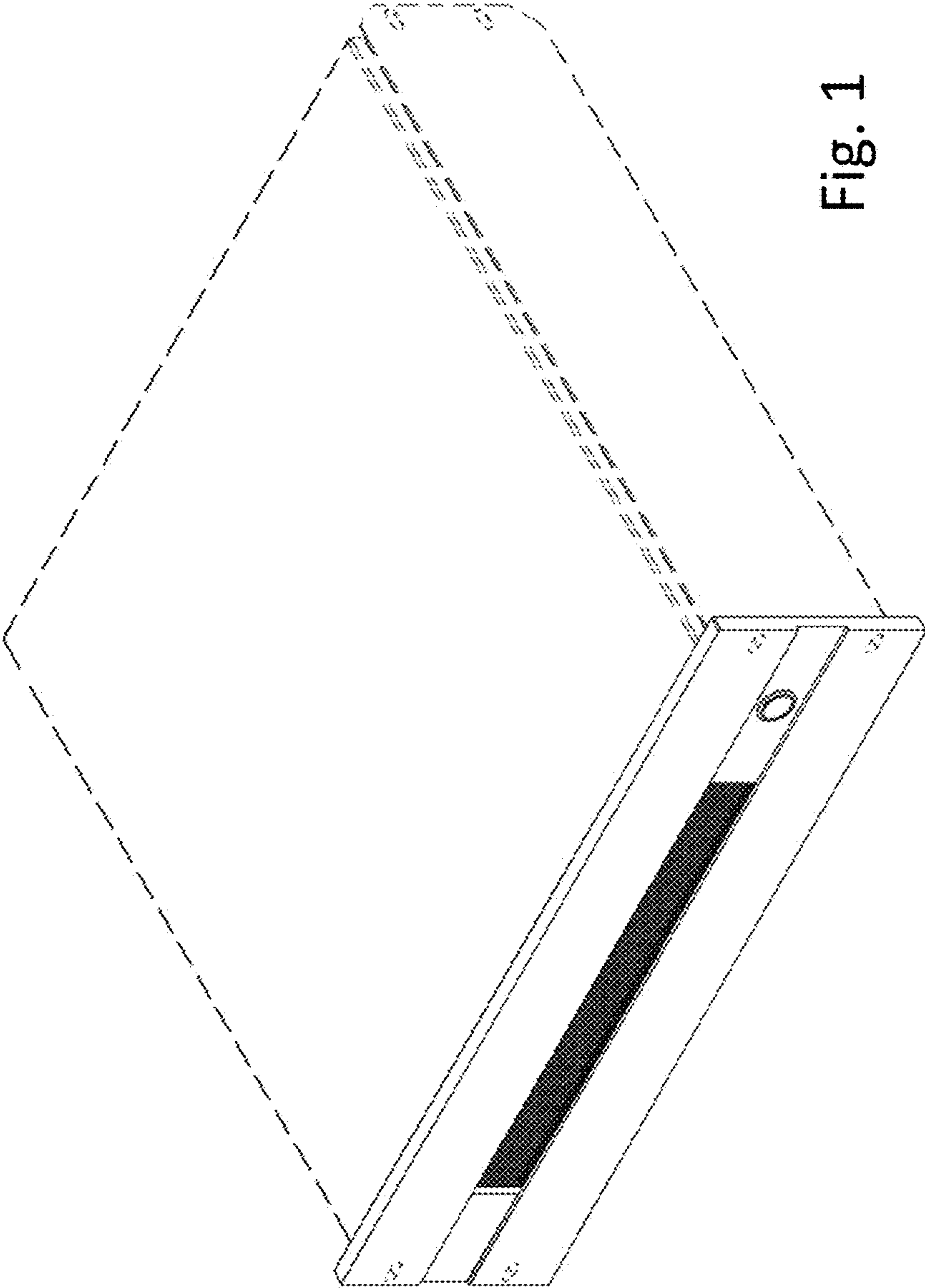


Fig. 1

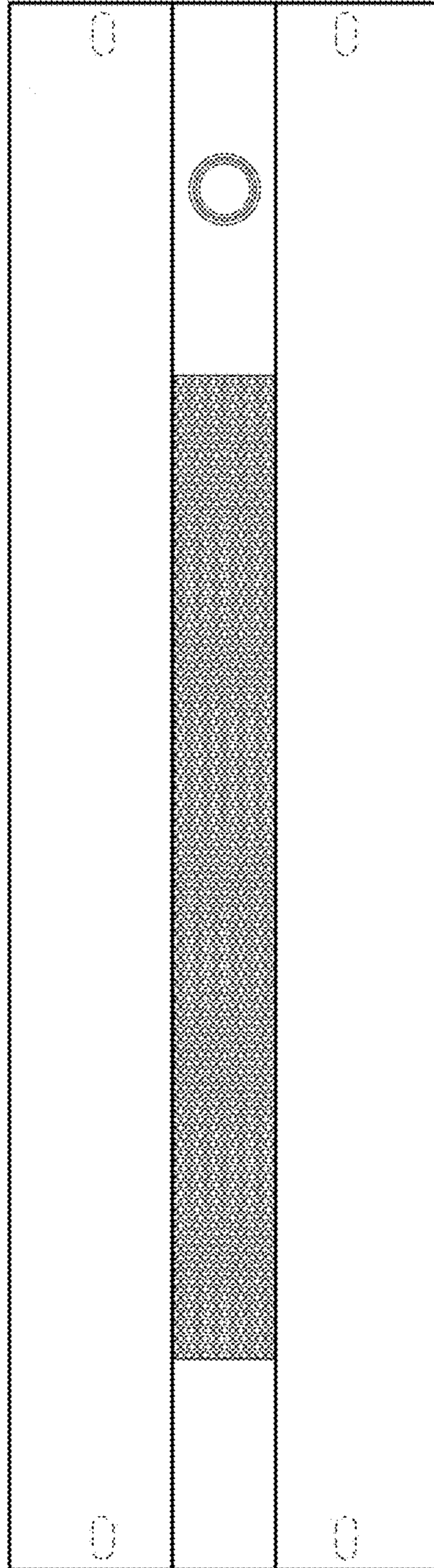


Fig. 2

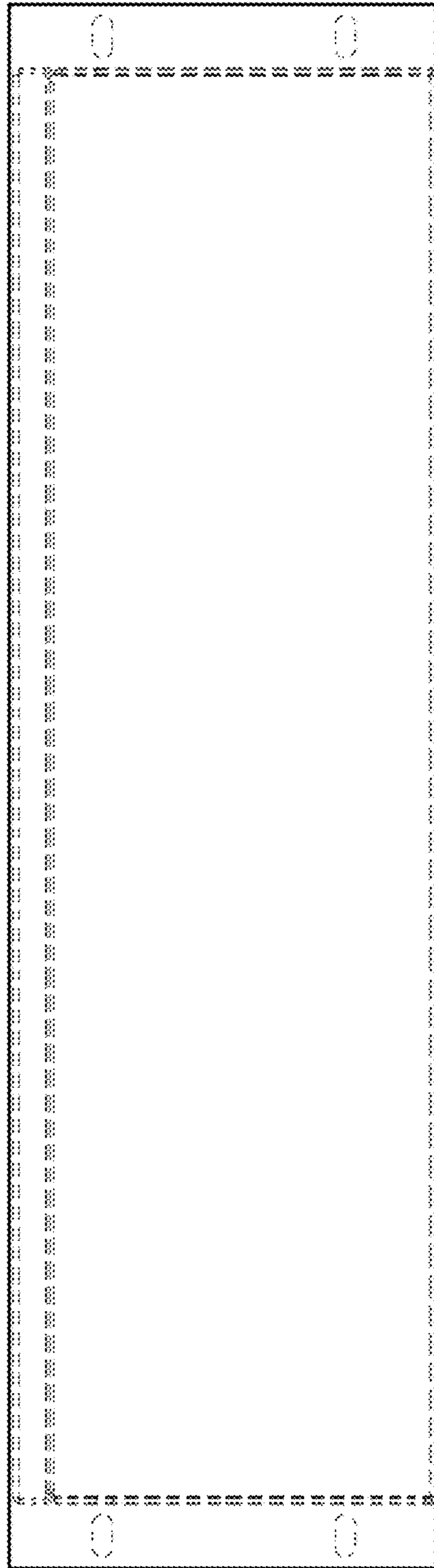


Fig. 3



Fig. 4

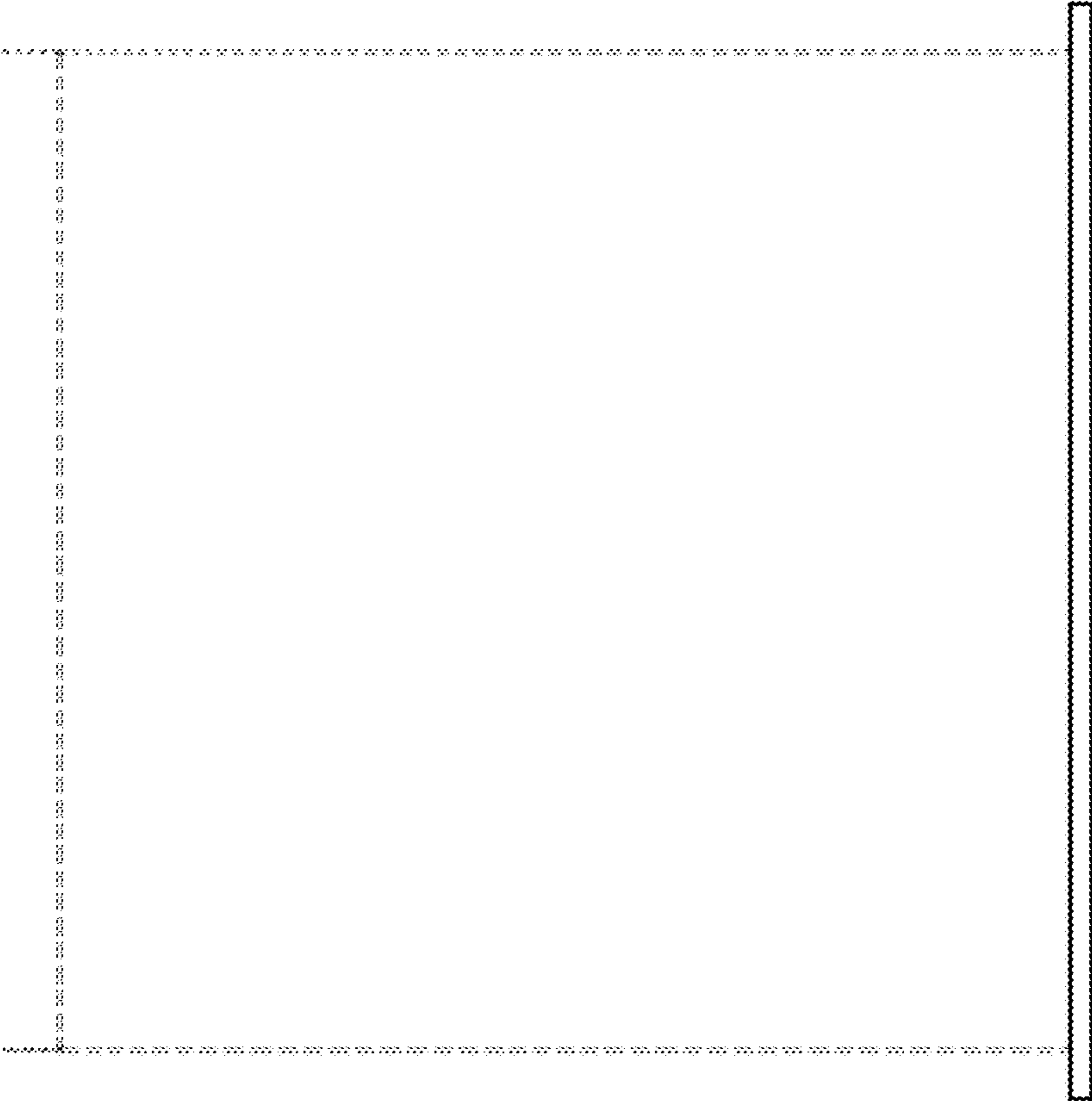


Fig. 5

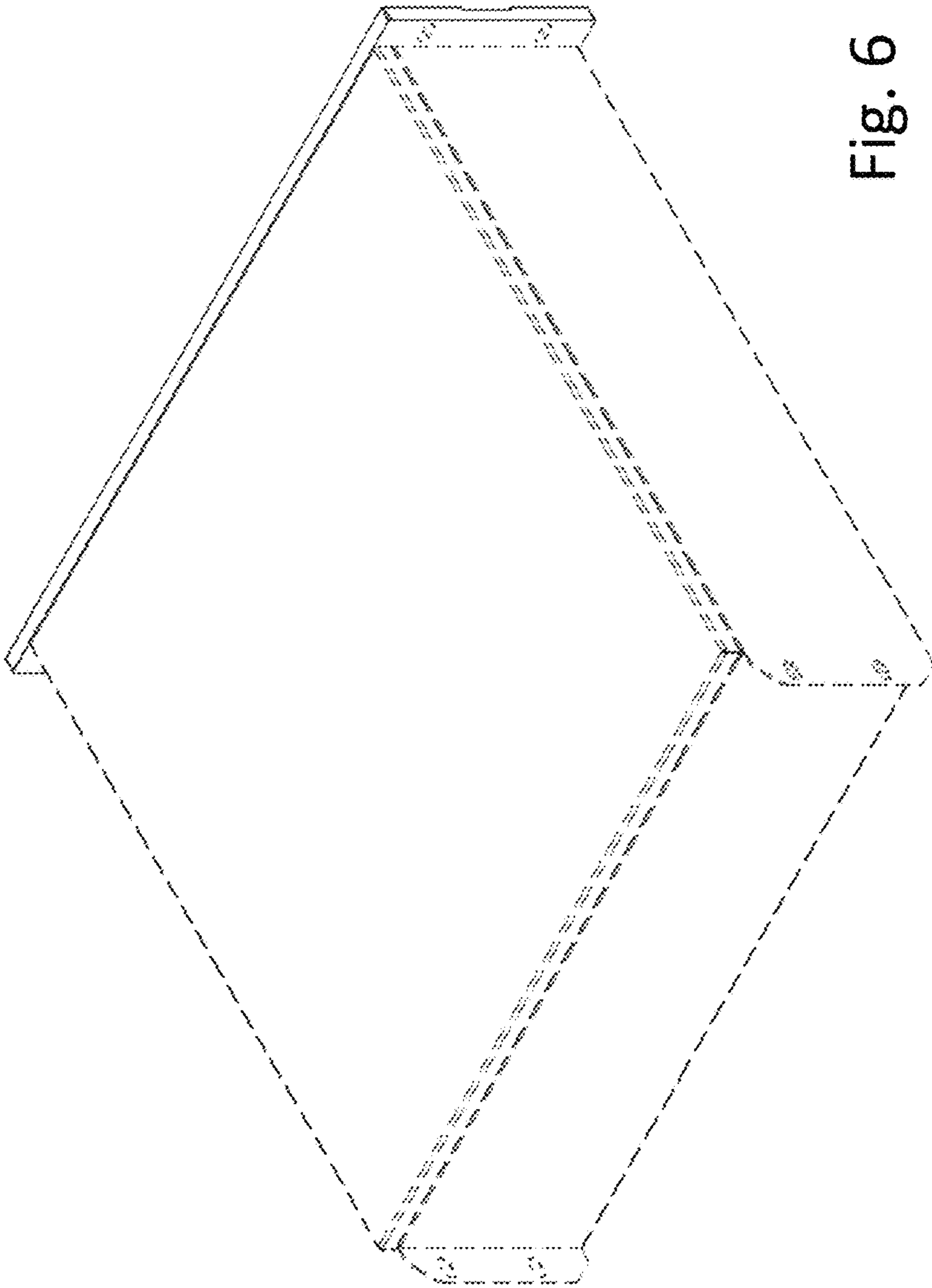


Fig. 6