



US00D857641S

(12) **United States Design Patent**
Weaver-Habib

(10) **Patent No.:** **US D857,641 S**

(45) **Date of Patent:** **** Aug. 27, 2019**

(54) **PAINT BRUSH**

(71) Applicant: **Janet M Weaver-Habib**, Hillsborough,
NJ (US)

(72) Inventor: **Janet M Weaver-Habib**, Hillsborough,
NJ (US)

(**) Term: **15 Years**

(21) Appl. No.: **29/646,756**

(22) Filed: **May 7, 2018**

D480,218 S *	10/2003	Mink	D4/135
6,823,553 B1 *	11/2004	Paredes	A46B 15/0055
				15/105
D538,045 S *	3/2007	Bock	D4/116
D634,549 S *	3/2011	Arvinte	D4/135
D637,819 S *	5/2011	Arvinte	D4/138
8,387,198 B2	3/2013	Rodriguez		
8,566,999 B1	10/2013	Casey		
9,289,895 B1 *	3/2016	Bauer	B25G 3/20
9,441,392 B2	9/2016	Whittemore		
10,021,966 B2 *	7/2018	Ortiz	A46B 17/00
D843,734 S *	3/2019	Dale	D4/138
2004/0163193 A1 *	8/2004	Stafford	A46B 15/0055
				15/105

(Continued)

Related U.S. Application Data

(63) Continuation-in-part of application No. 29/606,051,
filed on Jun. 1, 2017.

(51) **LOC (12) Cl.** **14-02**

(52) **U.S. Cl.**
USPC **D14/135**

(58) **Field of Classification Search**

USPC D4/100, 102, 114, 135, 116, 121, 127;
15/21.1, 22.1, 23, 24, 28, 29, 191.1, 192,
15/193, 194, 166, 168, 171, 175, 176.1;
132/218, 217; D28/7, 57
CPC B05C 1/00; B05C 1/02; B05C 17/0205;
B44D 2/00

See application file for complete search history.

(56) **References Cited**

U.S. PATENT DOCUMENTS

D333,217 S *	2/1993	Gingras	D4/132
5,419,000 A *	5/1995	Amato	A46B 17/08
				15/111
5,575,030 A *	11/1996	Girard	A46B 15/0055
				15/105
5,749,117 A *	5/1998	Forsline	A46B 3/00
				132/320
6,195,830 B1 *	3/2001	Bruschi	B25G 1/10
				15/143.1
D474,342 S *	5/2003	Silvestri	D4/118

FOREIGN PATENT DOCUMENTS

GB 2480433 11/2011

Primary Examiner — Austin Murphy

(74) *Attorney, Agent, or Firm* — Gearhart Law, LLC

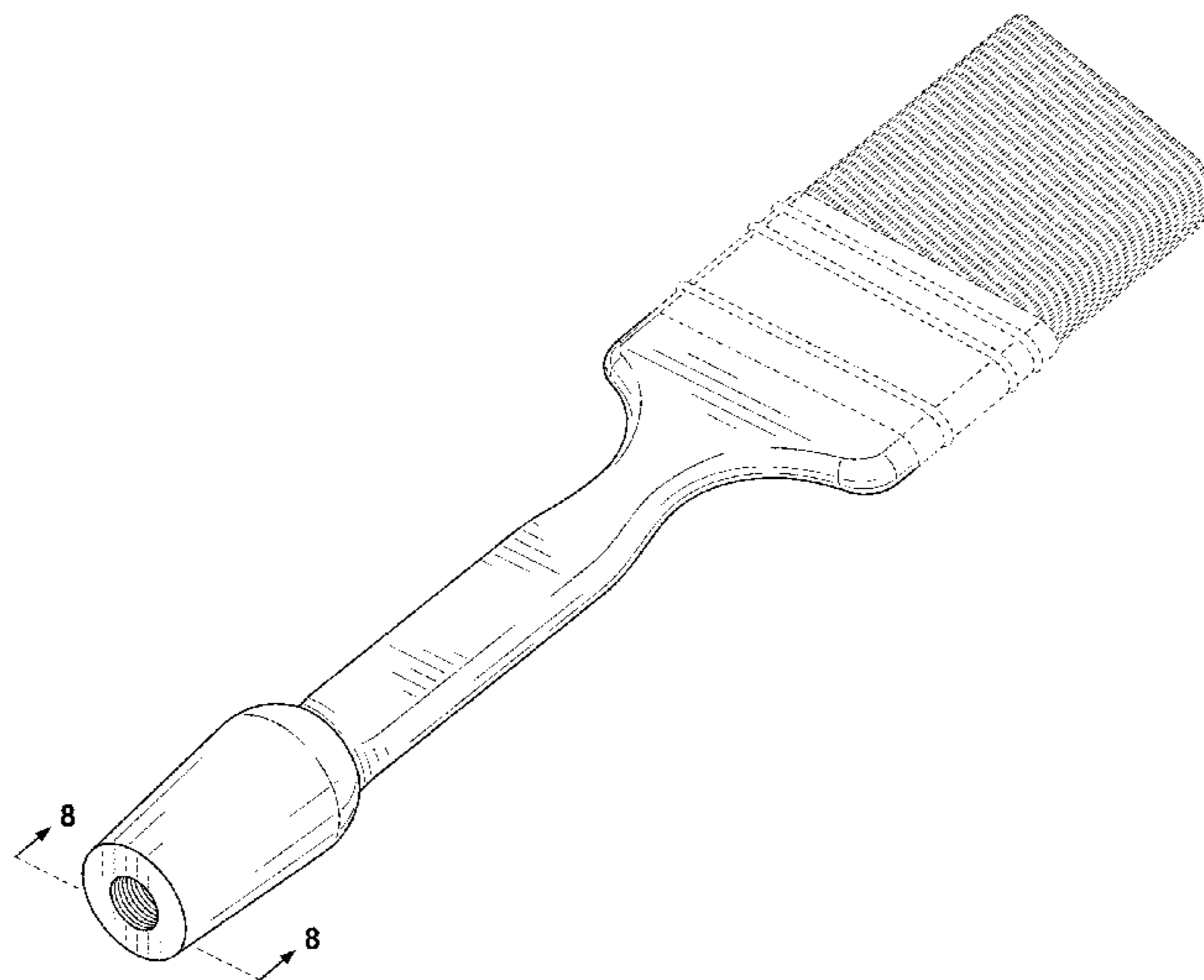
(57) **CLAIM**

The ornamental design for a paint brush, as shown and described.

DESCRIPTION

FIG. 1 is a perspective view of the paint brush.
FIG. 2 is a front view thereof.
FIG. 3 is a back view thereof.
FIG. 4 is a left side view thereof.
FIG. 5 is a right side view thereof.
FIG. 6 is a bottom view thereof.
FIG. 7 is a top view thereof; and,
FIG. 8 is a partial sectional view of the paint brush illustrating a connecting portion of the paint brush. All other views of the connecting portion are identical to the view showed in FIG. 8.
The broken lines present in the drawings represent the environment and form no part of the claimed design.

1 Claim, 4 Drawing Sheets



(56)

References Cited

U.S. PATENT DOCUMENTS

2004/0187266 A1* 9/2004 Garner E05B 55/005
16/438
2007/0251041 A1* 11/2007 Errichiello A46B 5/0075
15/172
2008/0209687 A1 9/2008 McCauley
2008/0256733 A1* 10/2008 Brown A46B 3/12
15/144.3
2009/0260172 A1* 10/2009 Weiss A46B 3/08
15/207.2
2010/0199449 A1* 8/2010 Ho A46B 3/005
15/207.2
2012/0036664 A1 2/2012 Rodriguez
2015/0258674 A1 9/2015 Steinick
2016/0190781 A1 6/2016 Hendricks
2016/0325306 A1 11/2016 Johnson et al.
2016/0333924 A1 11/2016 Aviles
2016/0368311 A1 12/2016 Gaige
2017/0009473 A1 1/2017 Whittemore

* cited by examiner

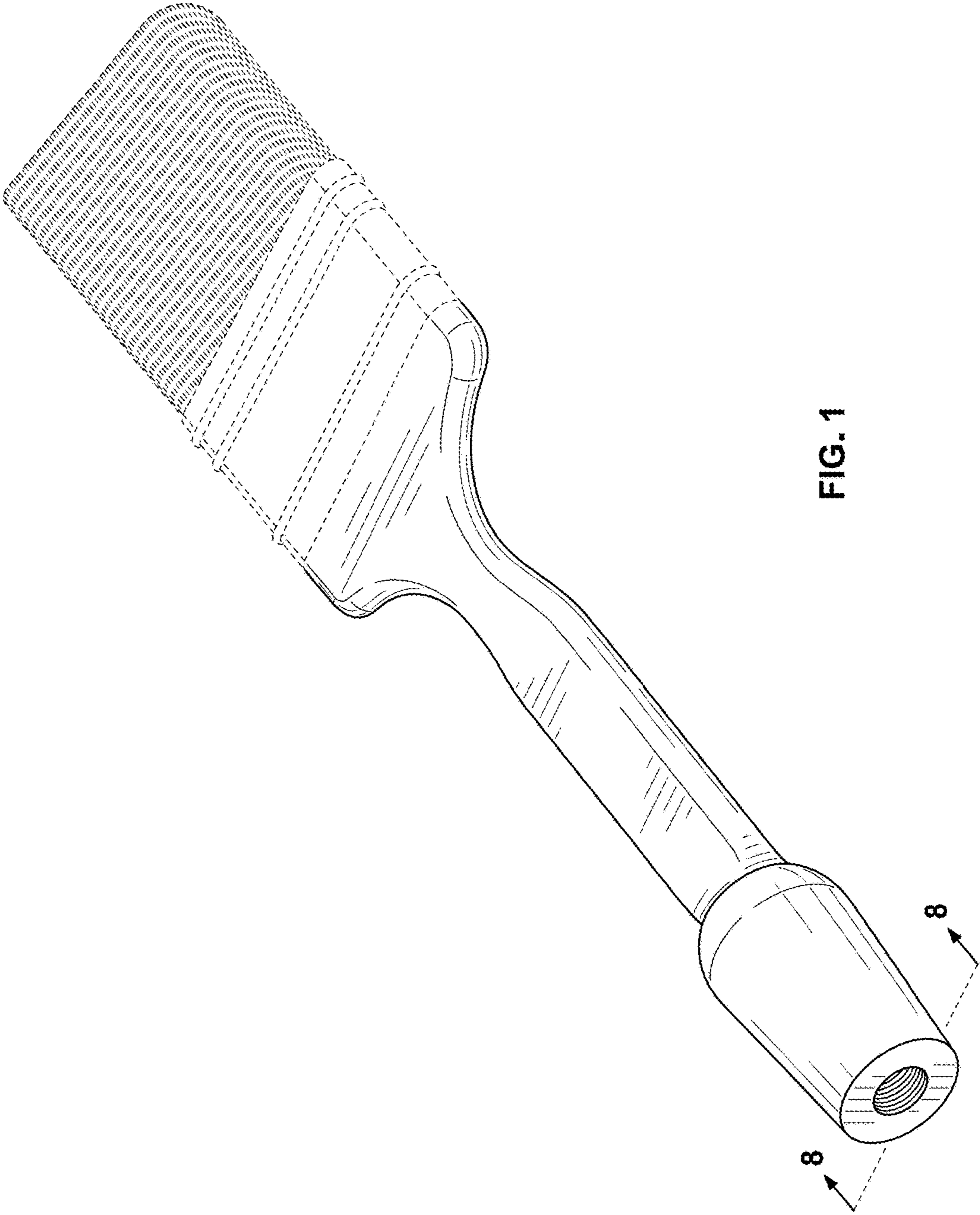


FIG. 1

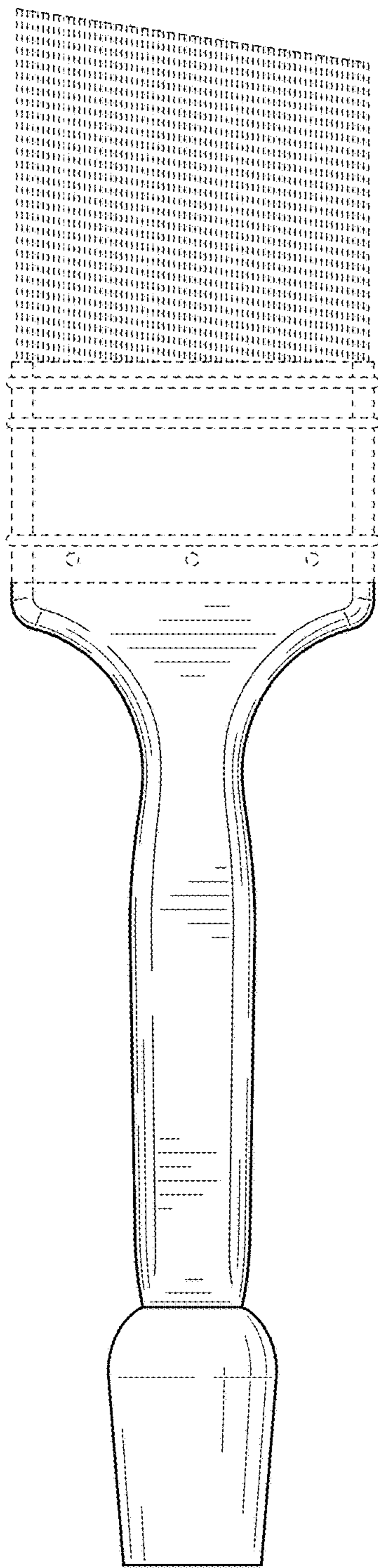


FIG. 2

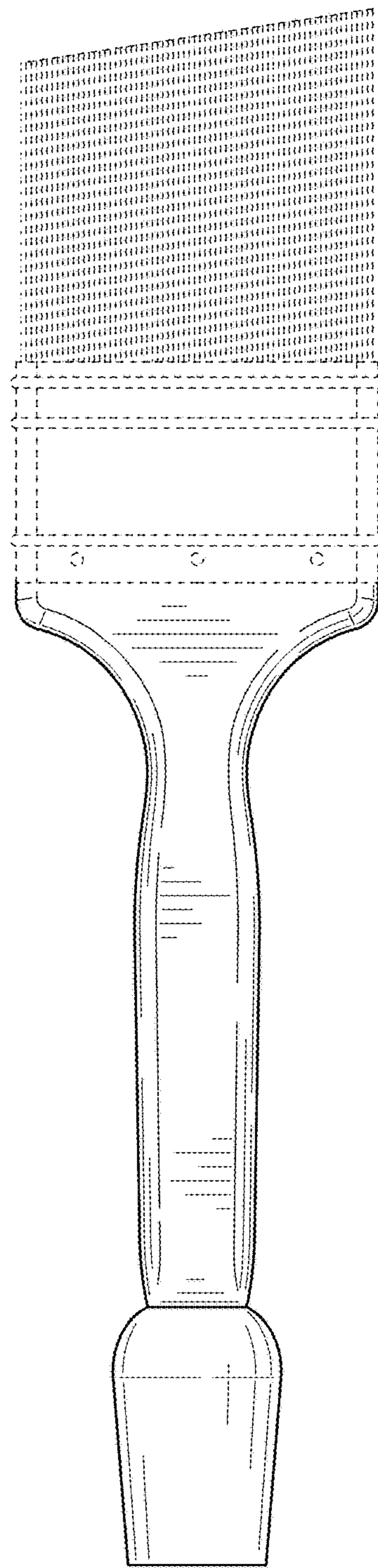


FIG. 3

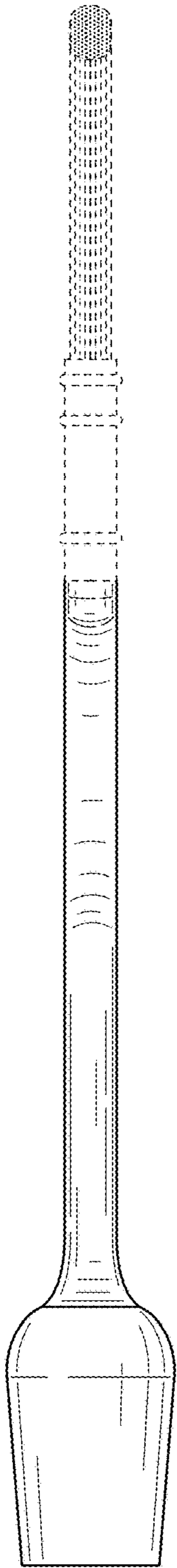


FIG. 4

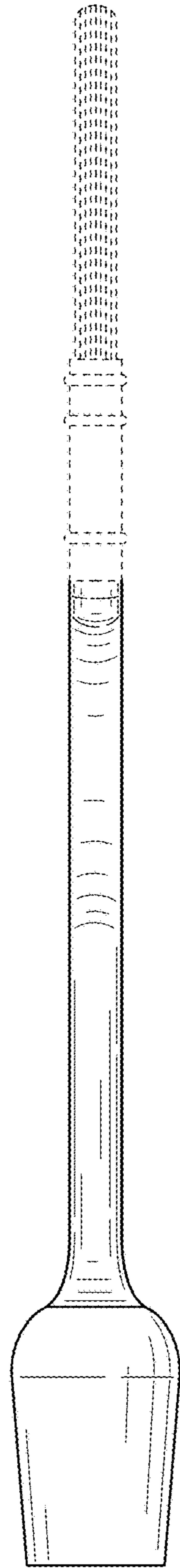


FIG. 5

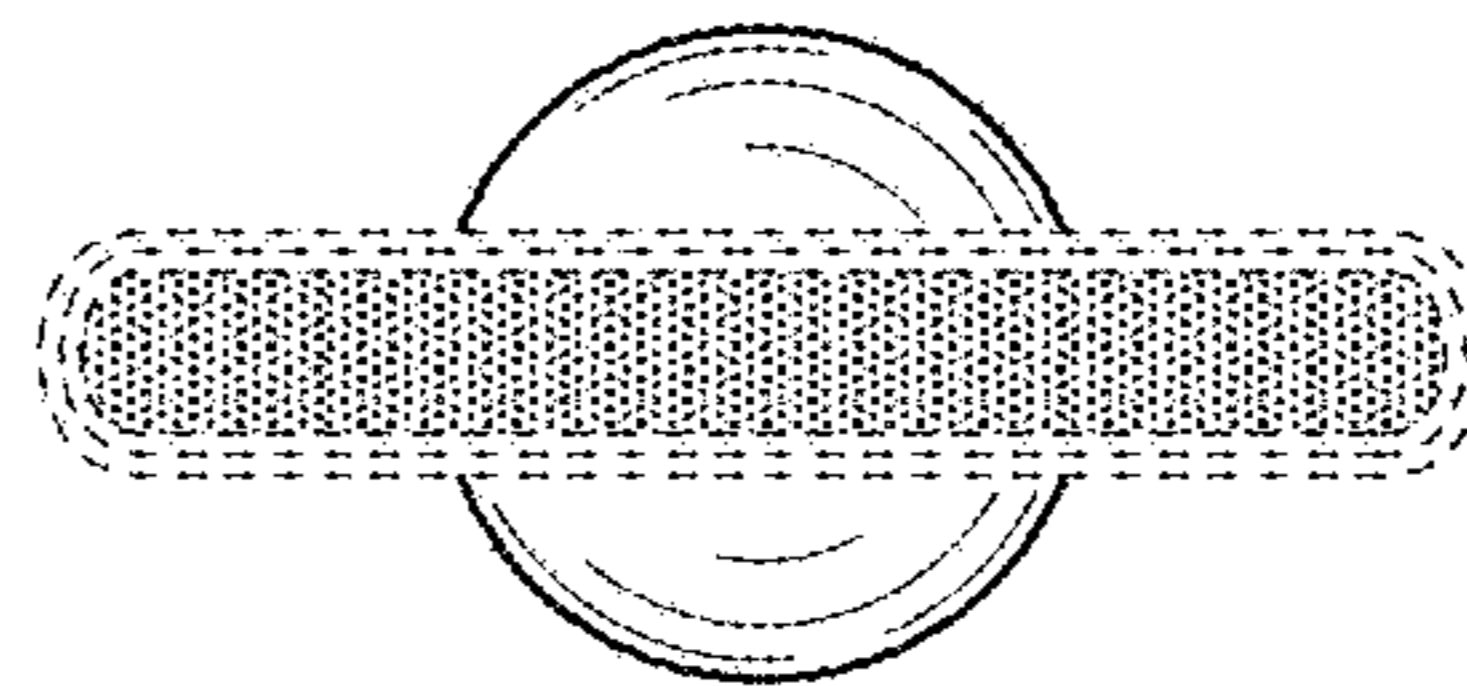


FIG. 6

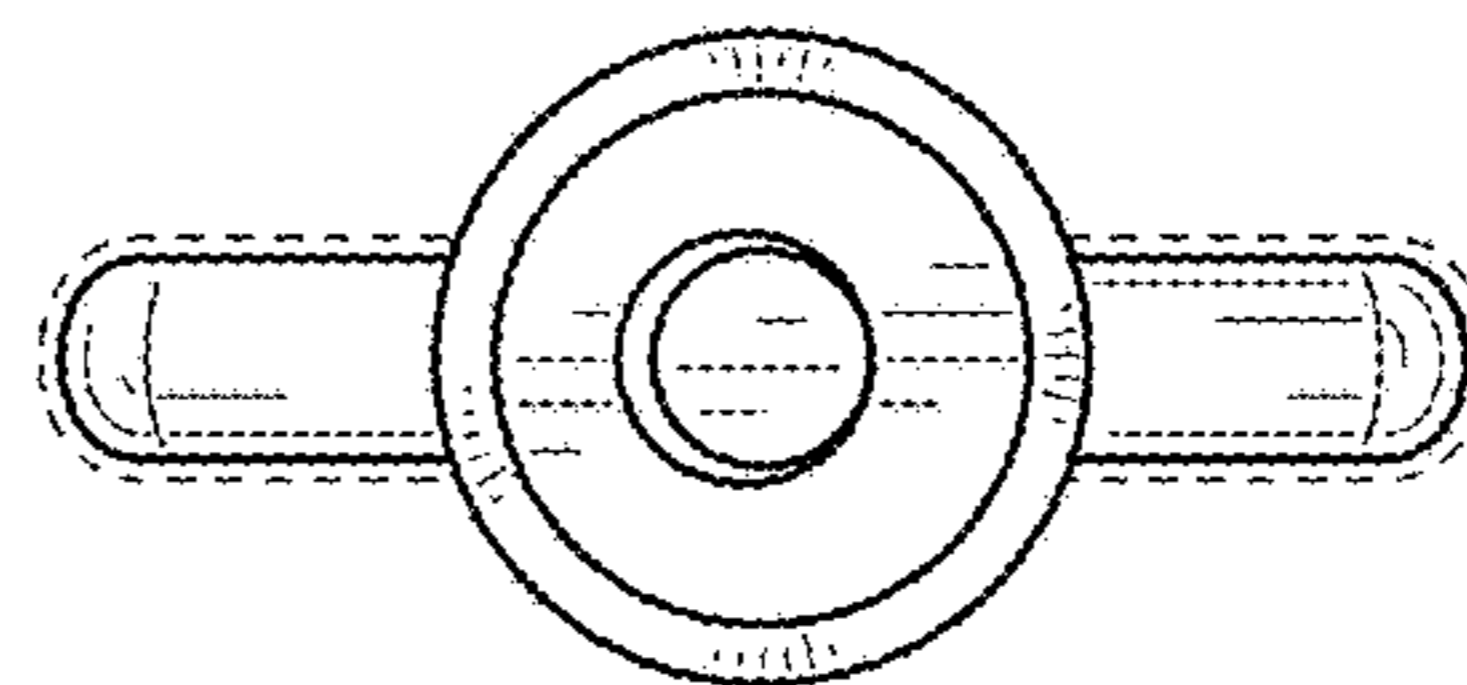


FIG. 7

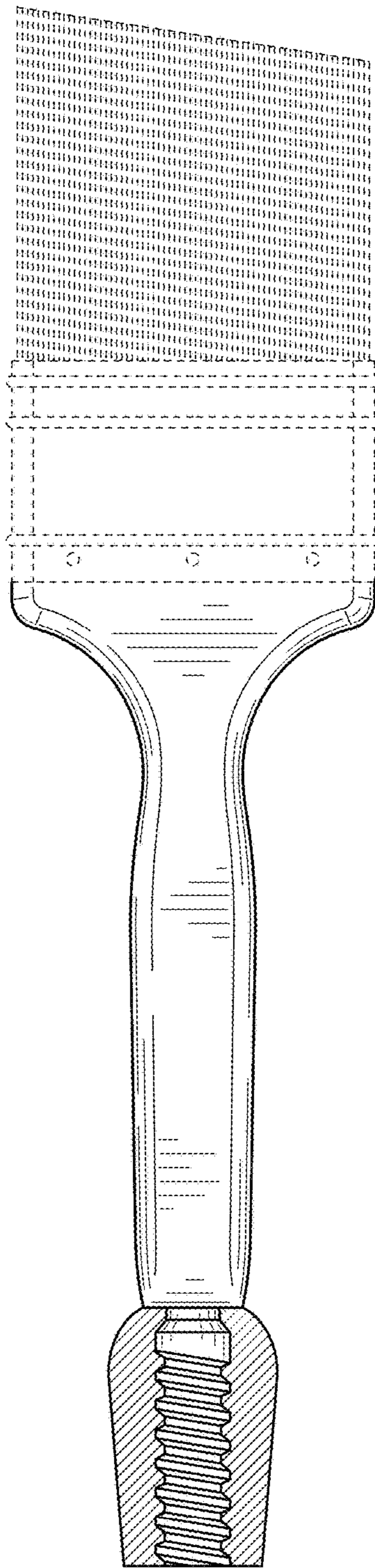


FIG. 8