



US00D857639S

(12) **United States Design Patent**
Reese et al.

(10) **Patent No.:** **US D857,639 S**

(45) **Date of Patent:** **** Aug. 27, 2019**

(54) **SINGLE DOOR FOR ELECTRICAL PANEL ENCLOSURE**

(71) Applicant: **Cooper Technologies Company**,
Houston, TX (US)

(72) Inventors: **Robert J. Reese**, Highland, IL (US);
Ken Huggins, Plano, TX (US); **Jason S. Mevius**, McKinney, TX (US)

(73) Assignee: **Cooper Technologies Company**,
Houston, TX (US)

(**) Term: **15 Years**

(21) Appl. No.: **29/584,833**

(22) Filed: **Nov. 17, 2016**

(51) **LOC (12) Cl.** **13-03**

(52) **U.S. Cl.**
USPC **D13/184**

(58) **Field of Classification Search**
USPC D13/158, 162, 163, 174, 184; D6/332,
D6/663
CPC ... H02B 1/01; H02B 1/26; H02B 1/30; H02B
1/38; H05K 5/00; H05K 5/0004; H05K
5/0008; H05K 5/0017; H05K 5/03; H05K
5/04; H05K 7/18; H05K 5/061
See application file for complete search history.

(56) **References Cited**

U.S. PATENT DOCUMENTS

D210,078	S	*	2/1968	Eck	D13/163
D324,965	S	*	3/1992	Nelsen	D6/663
D349,888	S	*	8/1994	Yamamoto	D13/163
D365,086	S	*	12/1995	Spechts	D13/184
5,822,180	A	*	10/1998	Deschamps	H02B 1/015 361/627
6,445,585	B1	*	9/2002	Walker	H05K 5/0017 292/145

6,478,391	B1	*	11/2002	Stoever	A47B 47/02 312/265.5
D503,931	S	*	4/2005	Kauranen	D13/184
D543,161	S	*	5/2007	Stepputat	D13/184
D588,081	S	*	3/2009	Lewis, II	D13/184
7,952,042	B2	*	5/2011	Coomer	H02B 11/02 200/293
D653,224	S	*	1/2012	Jonas	D13/184
D670,510	S	*	11/2012	Daino	D6/668.2
D812,025	S	*	3/2018	Cagliani	D13/184
D830,975	S	*	10/2018	Vierjarvi	D13/163
2011/0001411	A1	*	1/2011	Borning	E05B 5/00 312/326

(Continued)

Primary Examiner — Selina Sikder

(74) *Attorney, Agent, or Firm* — Stinson LLP

(57) **CLAIM**

The ornamental design for a single door for an electrical panel enclosure, as shown and described.

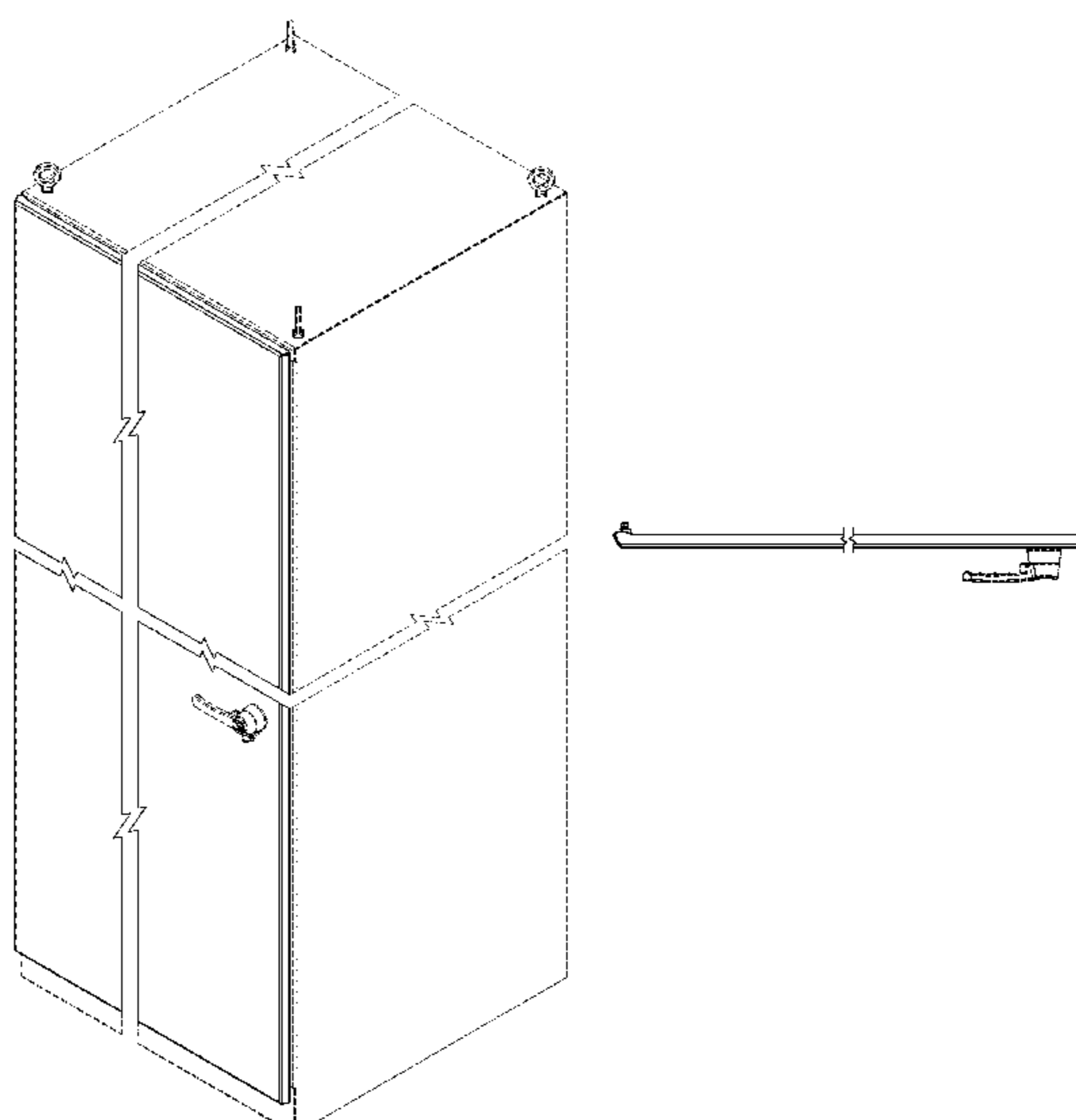
DESCRIPTION

FIG. 1 is a perspective view of a single door for an electrical panel enclosure showing our new design; FIG. 2 is a front elevational view of the single door; FIG. 3 is a right elevational view of the single door; FIG. 4 is a top plan view of the single door; FIG. 5 is a rear elevational view of the single door; FIG. 6 is a left elevational view of the single door; FIG. 7 is a bottom plan view of the single door; FIG. 8 is an enlarged, fragmentary view of a left portion of FIG. 4; and, FIG. 9 is an enlarged, fragmentary view of a right portion of FIG. 4.

The single door is shown broken away in FIGS. 1-7 of the drawing to indicate indeterminate height and width, it being understood that it has a uniform shape and appearance through its height and width.

Portions drawn in broken lines are for illustrative purposes only and form no part of the claimed design.

1 Claim, 8 Drawing Sheets



(56)

References Cited

U.S. PATENT DOCUMENTS

2012/0062084 A1* 3/2012 Lewis, II H05K 5/0234
312/223.6
2012/0299455 A1* 11/2012 Li H05K 5/0226
312/293.3
2013/0342091 A1* 12/2013 Walker H05K 5/0247
312/265.5
2014/0104759 A1* 4/2014 Takano H05K 7/1432
361/637
2015/0002006 A1* 1/2015 Segroves H05K 7/1491
312/236
2015/0173253 A1* 6/2015 Lewis, II H05K 5/0004
312/223.2
2016/0219729 A1* 7/2016 Omari H02B 1/26
2016/0255421 A1* 9/2016 Farrar H04Q 9/00
340/870.07
2016/0372896 A1* 12/2016 Strong H02B 1/06
2017/0150636 A1* 5/2017 Segroves H05K 7/1489
2017/0172015 A1* 6/2017 Yu H05K 7/1432
2018/0098456 A1* 4/2018 Schreier H05K 7/206
2018/0139859 A1* 5/2018 Reese H02B 1/38
2018/0213667 A1* 7/2018 Midday F16J 15/02
2018/0213670 A1* 7/2018 Freire H05K 7/1489
2018/0213673 A1* 7/2018 Eckberg B60B 33/0002

* cited by examiner

FIG. 1

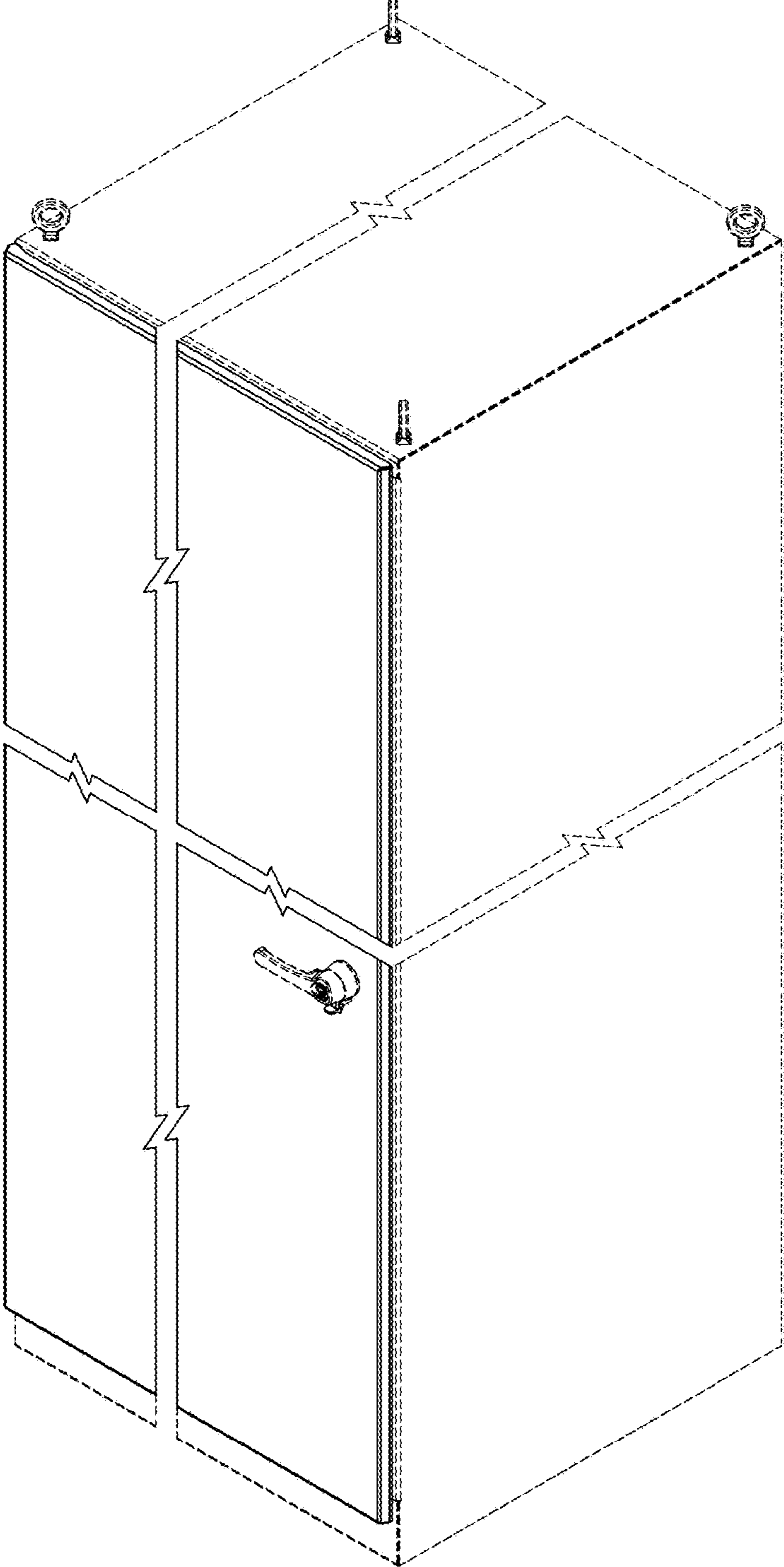


FIG. 2

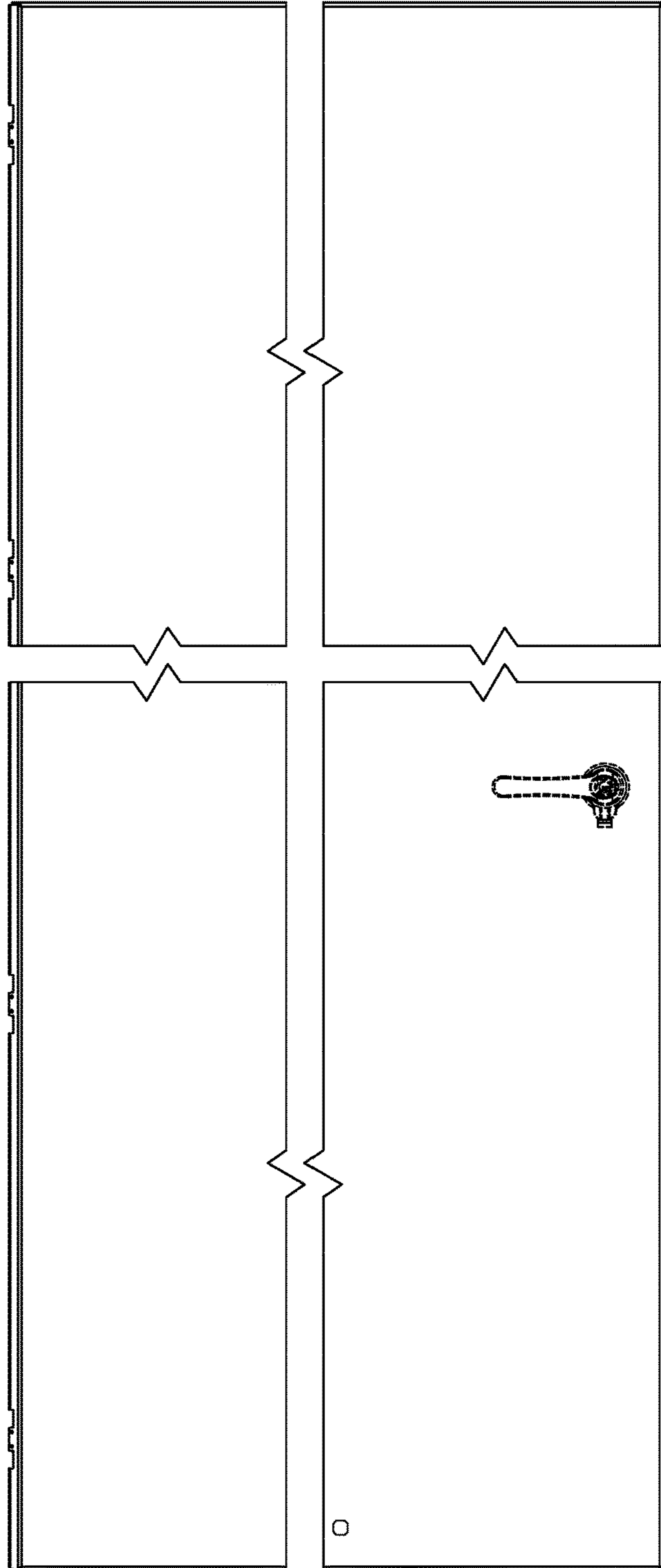


FIG. 3

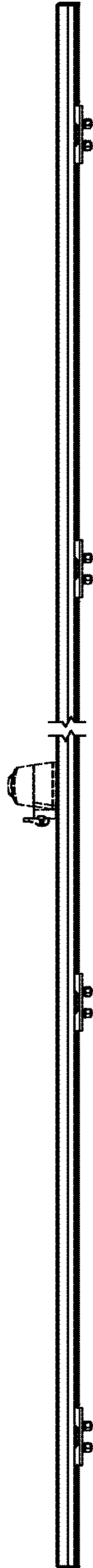


FIG. 4

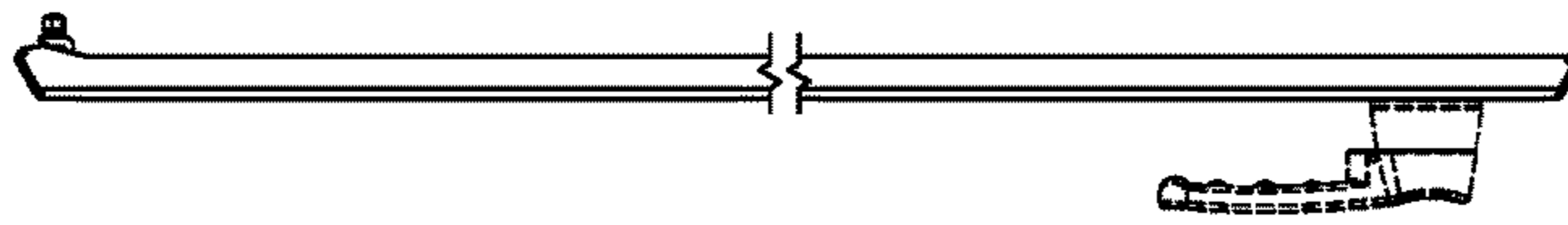


FIG. 5

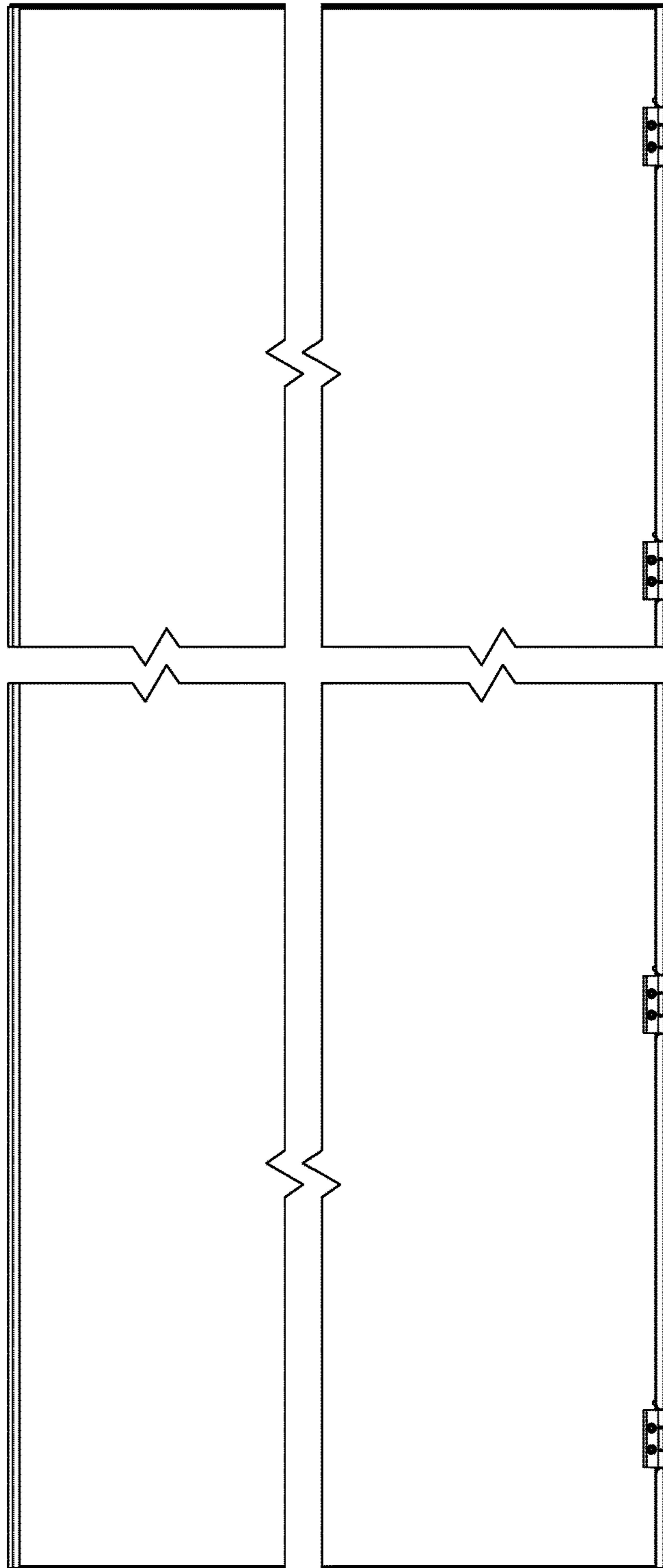


FIG. 6

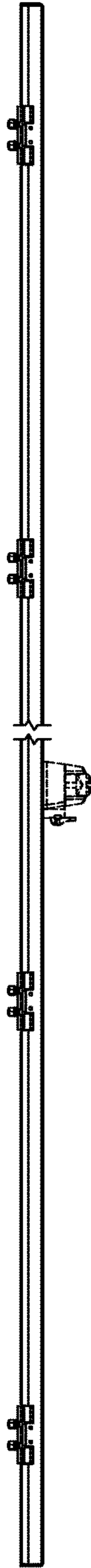


FIG. 7

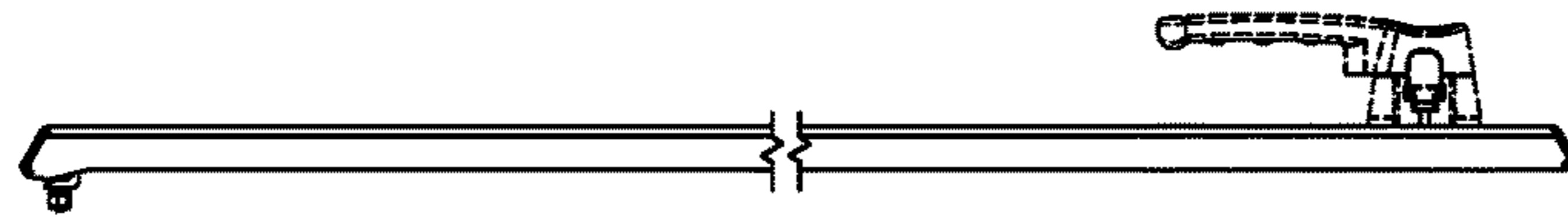


FIG. 8

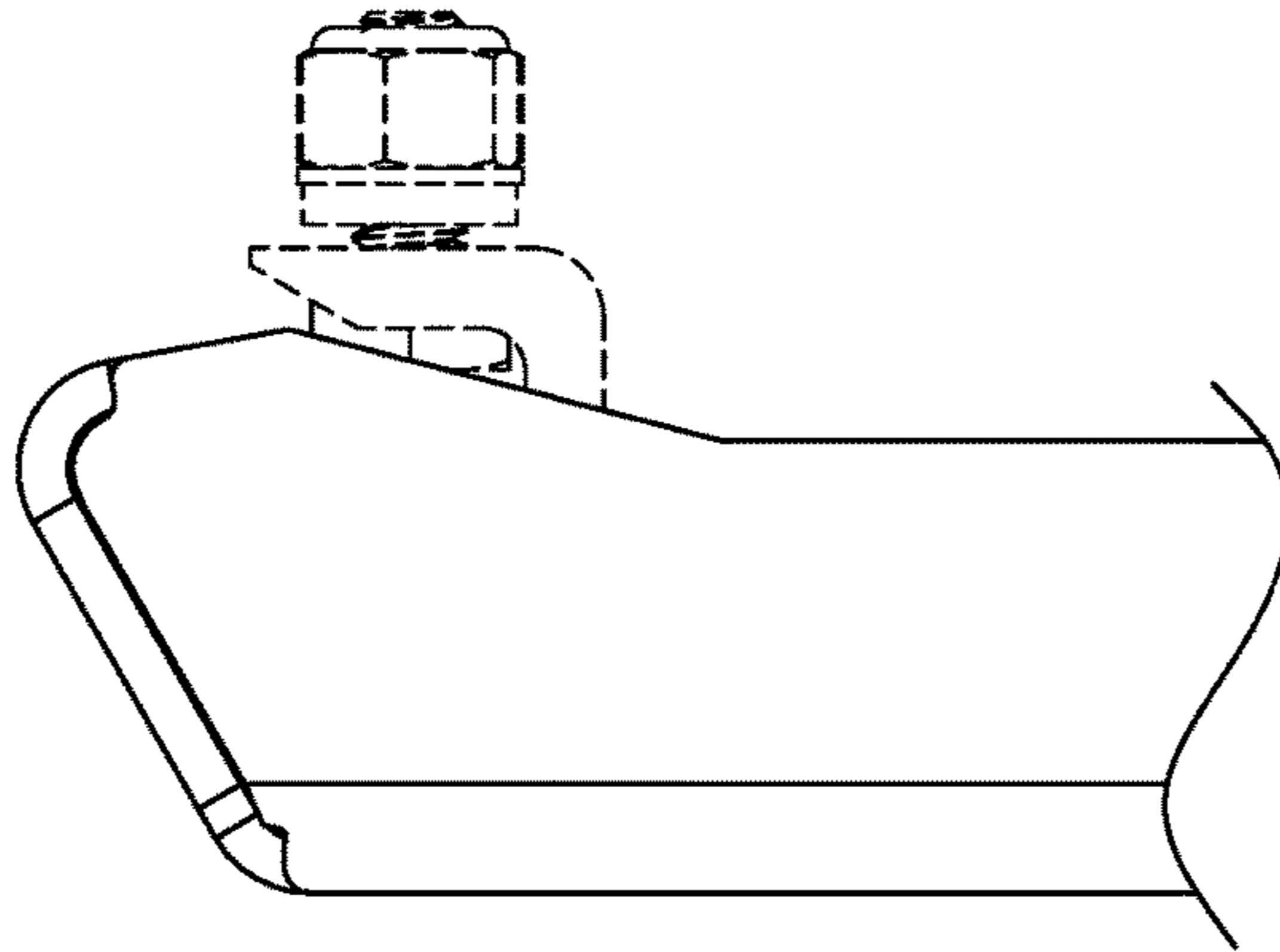


FIG. 9

