



US00D857634S

(12) **United States Design Patent** (10) **Patent No.:** **US D857,634 S**  
**Reitenbach et al.** (45) **Date of Patent:** **\*\* Aug. 27, 2019**

(54) **APPARATUS FOR CHARGING ACCUMULATORS**

- (71) Applicant: **Dr. Ing. h.c. F. Porsche Aktiengesellschaft**, Stuttgart (DE)
- (72) Inventors: **Roland Reitenbach**, Maishofen (AT); **Jari Rönfanz**, Stuttgart (DE); **Volker Reber**, Michelbach an der Bilz (DE); **Stefan Götz**, Forstern (DE)
- (73) Assignee: **Dr. Ing. h.c. F. Porsche Aktiengesellschaft** (DE)
- (\*\*) Term: **15 Years**
- (21) Appl. No.: **29/619,773**
- (22) Filed: **Oct. 2, 2017**
- (30) **Foreign Application Priority Data**

Apr. 6, 2017 (DE) ..... 40 2017 100 415  
 Jun. 16, 2017 (DE) ..... 40 2017 000 940

(51) **LOC (12) Cl.** ..... **13-03**  
 (52) **U.S. Cl.**

USPC ..... **D13/146; D13/133**

(58) **Field of Classification Search**  
 USPC ..... D13/146, 133  
 CPC ..... Y02T 90/14; Y02T 90/128; Y02T 90/163;  
 Y02T 90/121; Y02T 90/169; Y02T 90/16;  
 Y02T 10/7005; Y02T 10/7072; Y02T  
 10/7011; Y02T 10/705; Y02T 10/7088;  
 B60L 53/16; B60L 53/65; B60L 53/305;  
 B60L 2270/32; B60L 2270/34; B60L  
 3/0069; B60L 3/12; B60L 50/66; H01R  
 13/6275; H01R 13/639; H01R 13/506;  
 H01R 13/516; H01R 13/5221; H01R  
 13/5227; H01R 13/5825; H01R 13/623;  
 H01R 13/6397; H01R 13/7038

See application file for complete search history.

(56) **References Cited**

U.S. PATENT DOCUMENTS

D377,165	S	*	1/1997	Yoshioka	.....	D13/146
5,627,448	A	*	5/1997	Okada	.....	B60L 3/12 439/133
5,820,395	A	*	10/1998	Hashizawa	.....	H01R 13/5221 439/271
6,123,569	A	*	9/2000	Fukushima	.....	H01R 13/5825 439/456
D603,337	S	*	11/2009	Katou	.....	D13/120
8,016,604	B2	*	9/2011	Matsumoto	.....	B60L 3/0069 439/304
D673,122	S	*	12/2012	Huss, Jr.	.....	D13/133
D675,570	S	*	2/2013	Muller	.....	D13/147
D675,989	S	*	2/2013	Sebald	.....	D13/133
D698,731	S	*	2/2014	Muller	.....	D13/147
D702,186	S	*	4/2014	Muller	.....	D13/133
D713,792	S	*	9/2014	Muller	.....	D13/147
D714,219	S	*	9/2014	Muller	.....	D13/133

(Continued)

*Primary Examiner* — Rosemary K Tarcza  
*Assistant Examiner* — Nathaniel D. Buckner  
 (74) *Attorney, Agent, or Firm* — RatnerPrestia

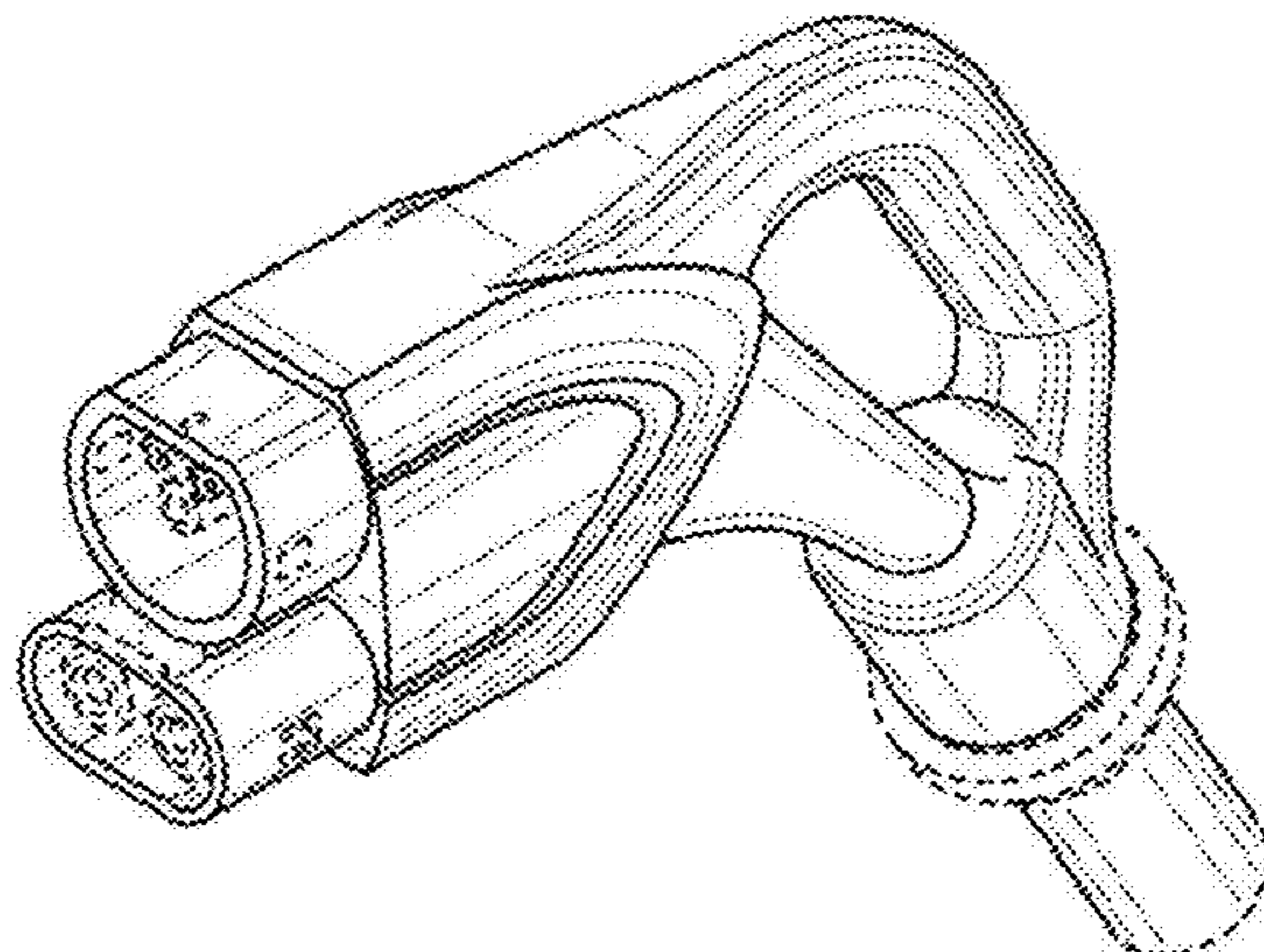
(57) **CLAIM**

The ornamental design for an apparatus charging accumulators, as shown and described.

**DESCRIPTION**

FIG. 1 is a front perspective view of an apparatus or charging accumulators;  
 FIG. 2 is a front elevation view thereof;  
 FIG. 3 is a rear elevation view thereof;  
 FIG. 4 is an elevation view from the right side thereof;  
 FIG. 5 is an elevation view from the left side thereof;  
 FIG. 6 is a top plan view thereof; and,  
 FIG. 7 is a bottom plan view thereof.  
 The broken lines in the figures depict portions of the article which form no part of the claimed design.

**1 Claim, 7 Drawing Sheets**



(56)

**References Cited**

U.S. PATENT DOCUMENTS

D720,697 S *	1/2015	Mueller .....	D13/146
D731,433 S *	6/2015	Hori .....	D13/146
D731,974 S *	6/2015	Hori .....	D13/146
9,279,276 B2 *	3/2016	Arabia, Jr. ....	E05B 83/00
9,601,862 B2 *	3/2017	Fukushima .....	H01R 13/506
D810,686 S *	2/2018	Cantz .....	D13/133

\* cited by examiner

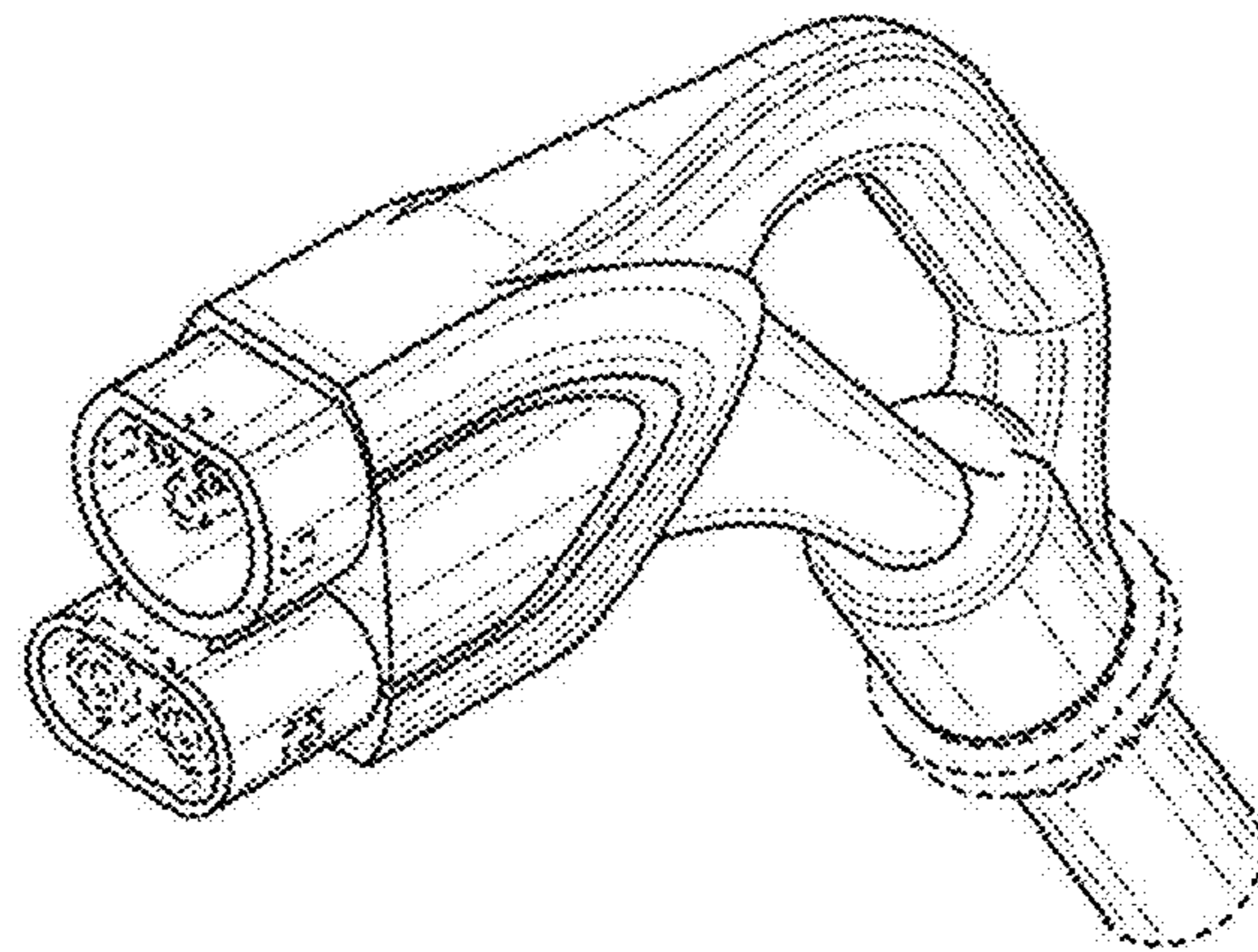


FIG. 1

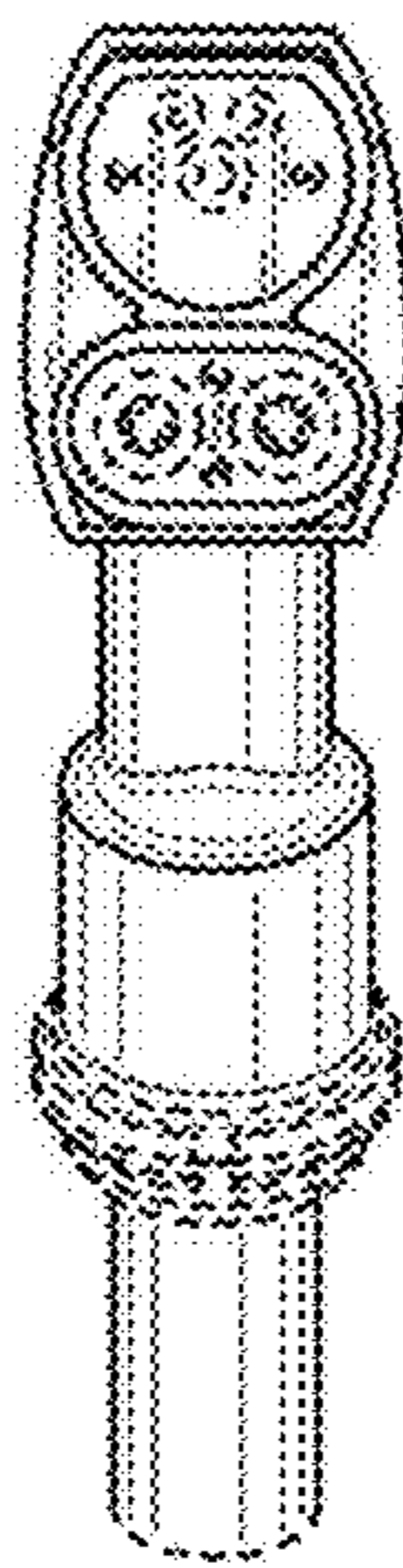


FIG. 2



FIG. 3

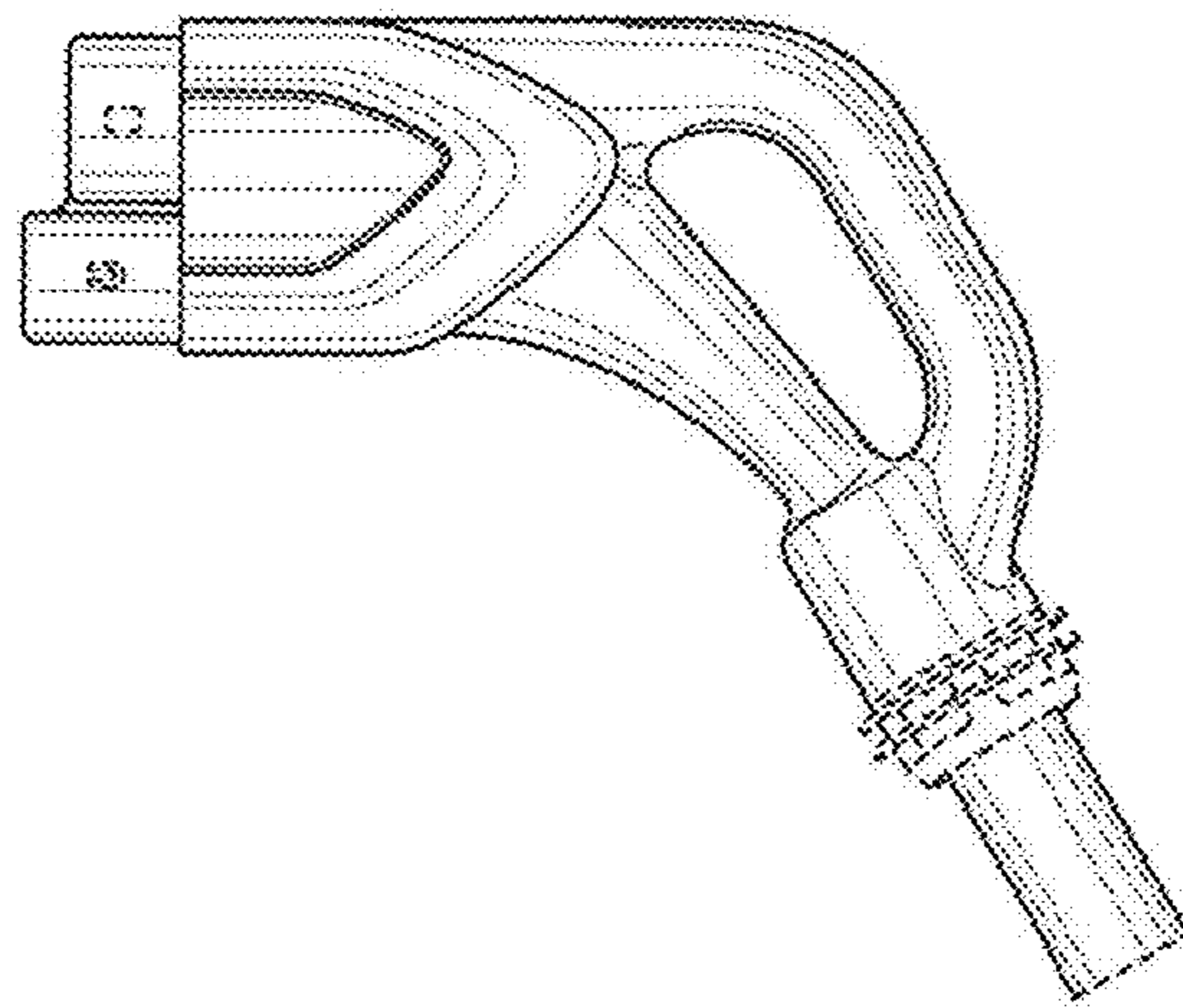


FIG. 4

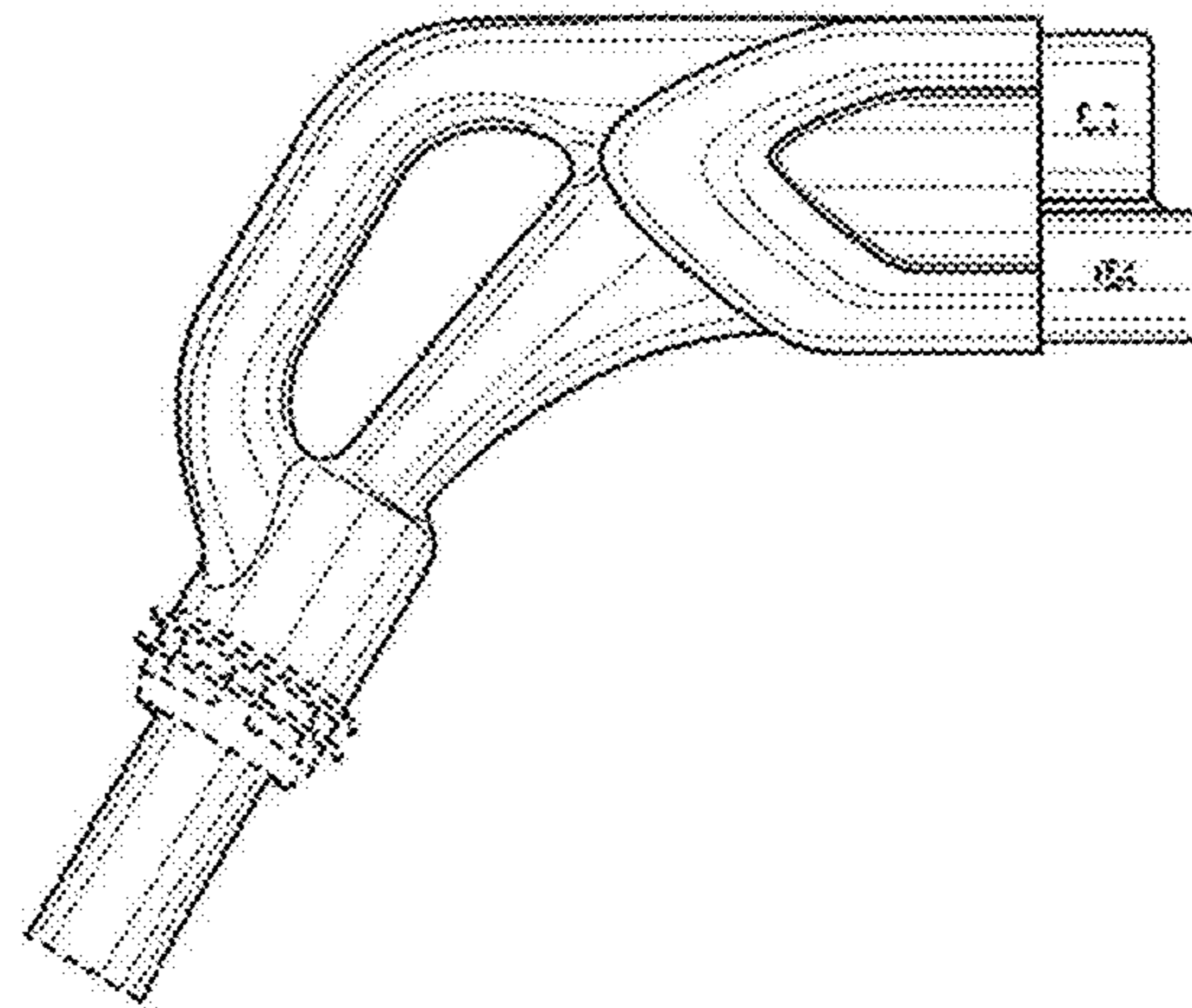


FIG. 5

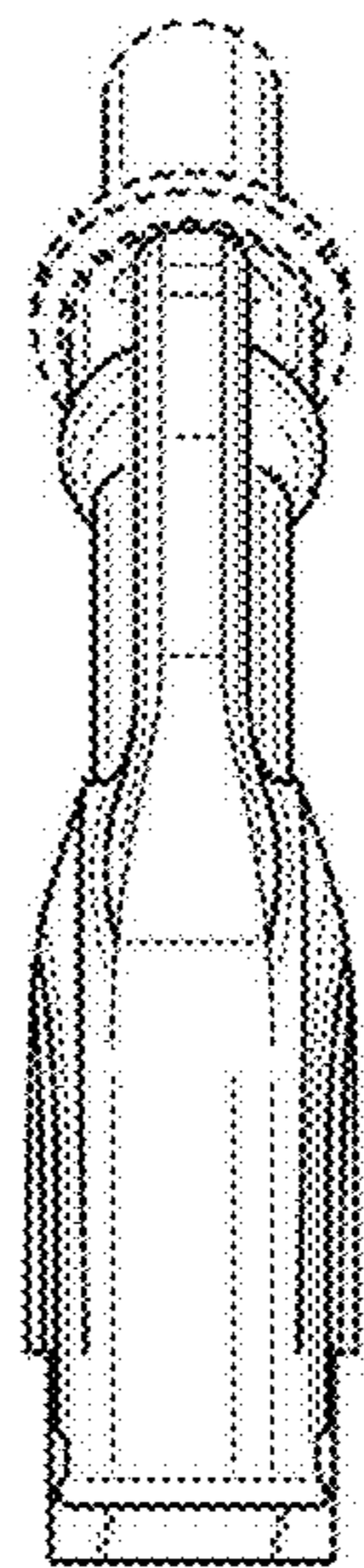


FIG. 6



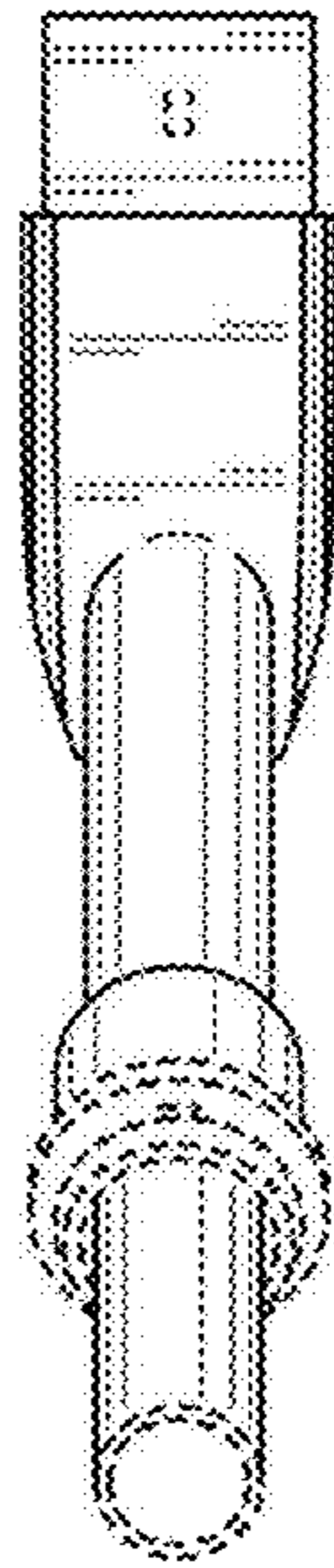


FIG. 7