



US00D857632S

(12) **United States Design Patent**
Lacroix et al.

(10) **Patent No.:** **US D857,632 S**

(45) **Date of Patent:** **** Aug. 27, 2019**

(54) **ELECTRICAL CORD LEVEL EJECT PLUG**

(71) Applicant: **Brainwave Research Corporation,**
Woodbridge (CA)

(72) Inventors: **Matthew Lacroix,** King City (CA);
Robert G. Dickie, King City (CA)

(73) Assignee: **BRAINWAVE RESEARCH**
CORPORATION, Woodbridge, Ontario
(CA)

(**) Term: **15 Years**

(21) Appl. No.: **29/585,924**

(22) Filed: **Nov. 30, 2016**

(30) **Foreign Application Priority Data**

May 31, 2016 (CA) 168772

(51) **LOC (12) Cl.** **13-03**

(52) **U.S. Cl.**
USPC **D13/138.2**

(58) **Field of Classification Search**

USPC D13/108-110, 133, 137.1-137.4,
D13/138.1-138.2, 139.1-139.8, 152-154,
D13/156, 173, 177, 151, 146, 147, 107;
D14/433, 435.1, 432; D8/350-353, 331,
D8/396, 398, 399, 382, 383, 387, 393,
D8/343

CPC H01R 25/00; H01R 25/006; H01R 25/003;
H01R 9/00; H01R 11/00; H01R 13/46;
H01R 13/62; H01R 13/639; H01R
13/6392; H01R 13/633; H01R 13/635;
H02J 2007/0062; H02G 3/14

See application file for complete search history.

(56) **References Cited**

U.S. PATENT DOCUMENTS

D549,651 S * 8/2007 Mancari D13/138.2
D594,417 S * 6/2009 Ho'o D13/138.1
D635,515 S * 4/2011 Atwell D13/138.2

(Continued)

Primary Examiner — Rosemary K Tarcza

Assistant Examiner — Christy M Nemeth

(74) *Attorney, Agent, or Firm* — William J. Clemens;
Shumaker, Loop & Kendrick, LLP

(57) **CLAIM**

The ornamental design for an electrical cord lever eject plug,
as shown and described.

DESCRIPTION

FIG. 1 is a perspective view of an electrical cord lever eject
plug of our new design;

FIG. 2 is a second perspective view thereof;

FIG. 3 is a third perspective view, with the electrical cord
lever eject plug shown in an eject state;

FIG. 4 is a top view of the electrical cord lever eject plug as
shown in FIG. 2;

FIG. 5 is a right side view of the electrical cord lever eject
plug as shown in FIG. 2, the left side being a mirror image;

FIG. 6 is a rear view of the electrical cord lever eject plug
as shown in FIG. 2;

FIG. 7 is a front view of the electrical cord lever eject plug
as shown in FIG. 2;

FIG. 8 is a top view of the electrical cord lever eject plug as
shown in FIG. 3;

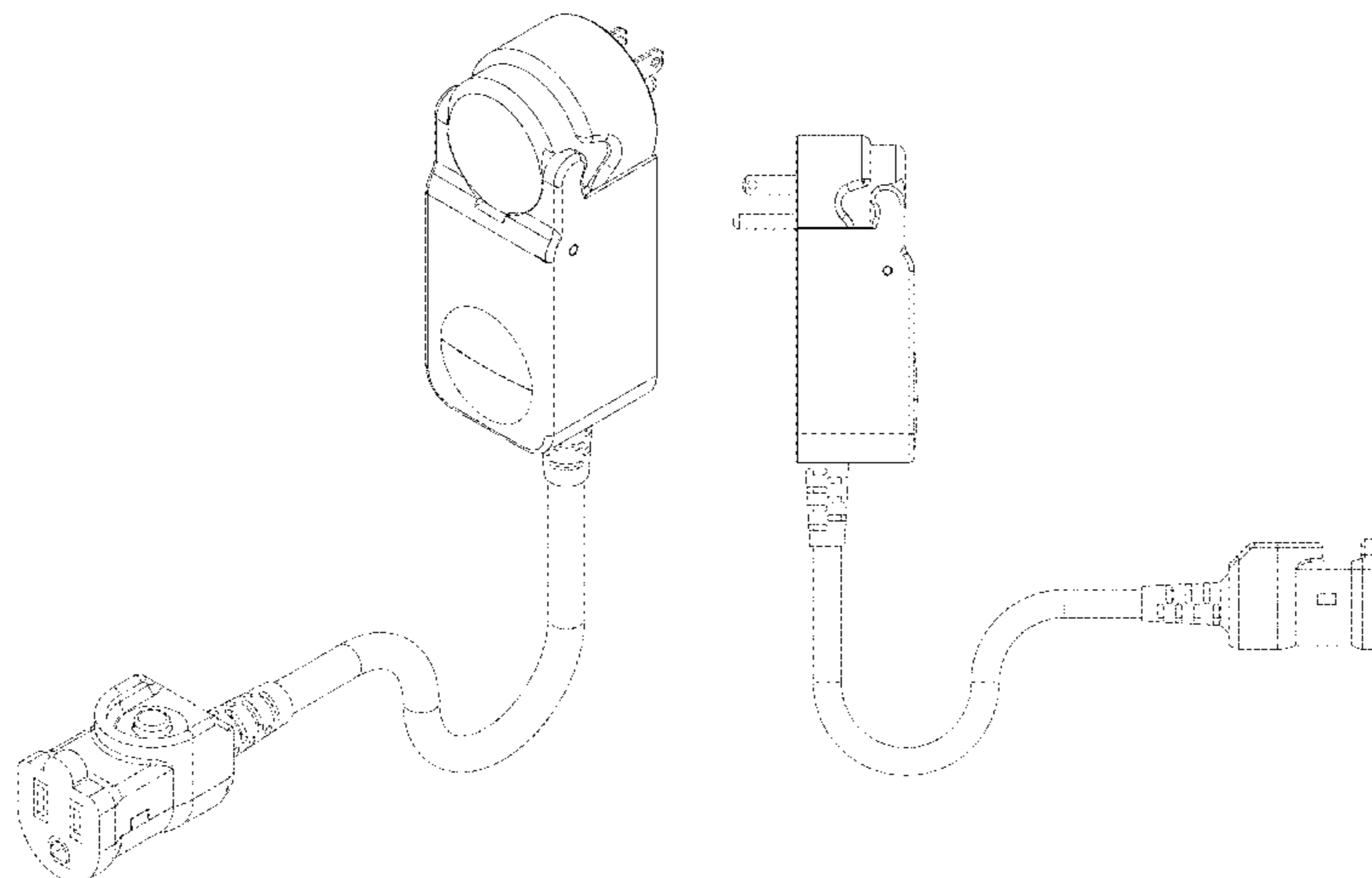
FIG. 9 is a right side view of the electrical cord lever eject
plug as shown in FIG. 3, the left side being a mirror image;

FIG. 10 is a rear view of the electrical cord lever eject plug
as shown in FIG. 3; and,

FIG. 11 is a front view of the electrical cord lever eject plug
as shown in FIG. 3.

The broken lines in the drawings are for the purpose of
illustrating environment and portions of the electrical cord
lever eject plug that form no part of the claimed design.

1 Claim, 7 Drawing Sheets



(56)

References Cited

U.S. PATENT DOCUMENTS

8,226,423 B1 * 7/2012 Wu H01R 13/633
439/160
D690,274 S * 9/2013 Greaney D13/156
D766,830 S * 9/2016 Parks D13/133
D768,080 S * 10/2016 Parks D13/133
9,711,902 B2 * 7/2017 Kot H01R 13/64

* cited by examiner

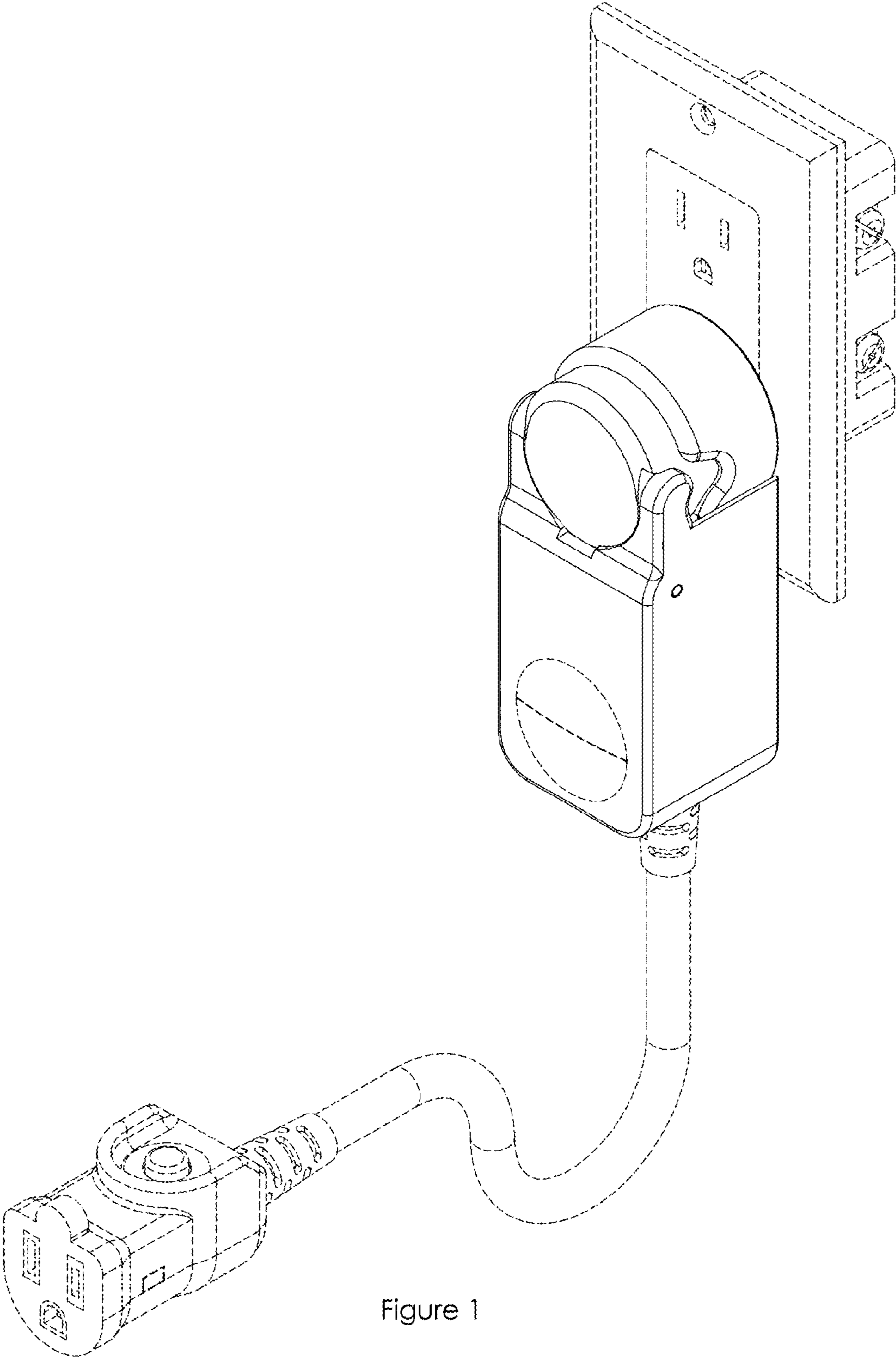


Figure 1

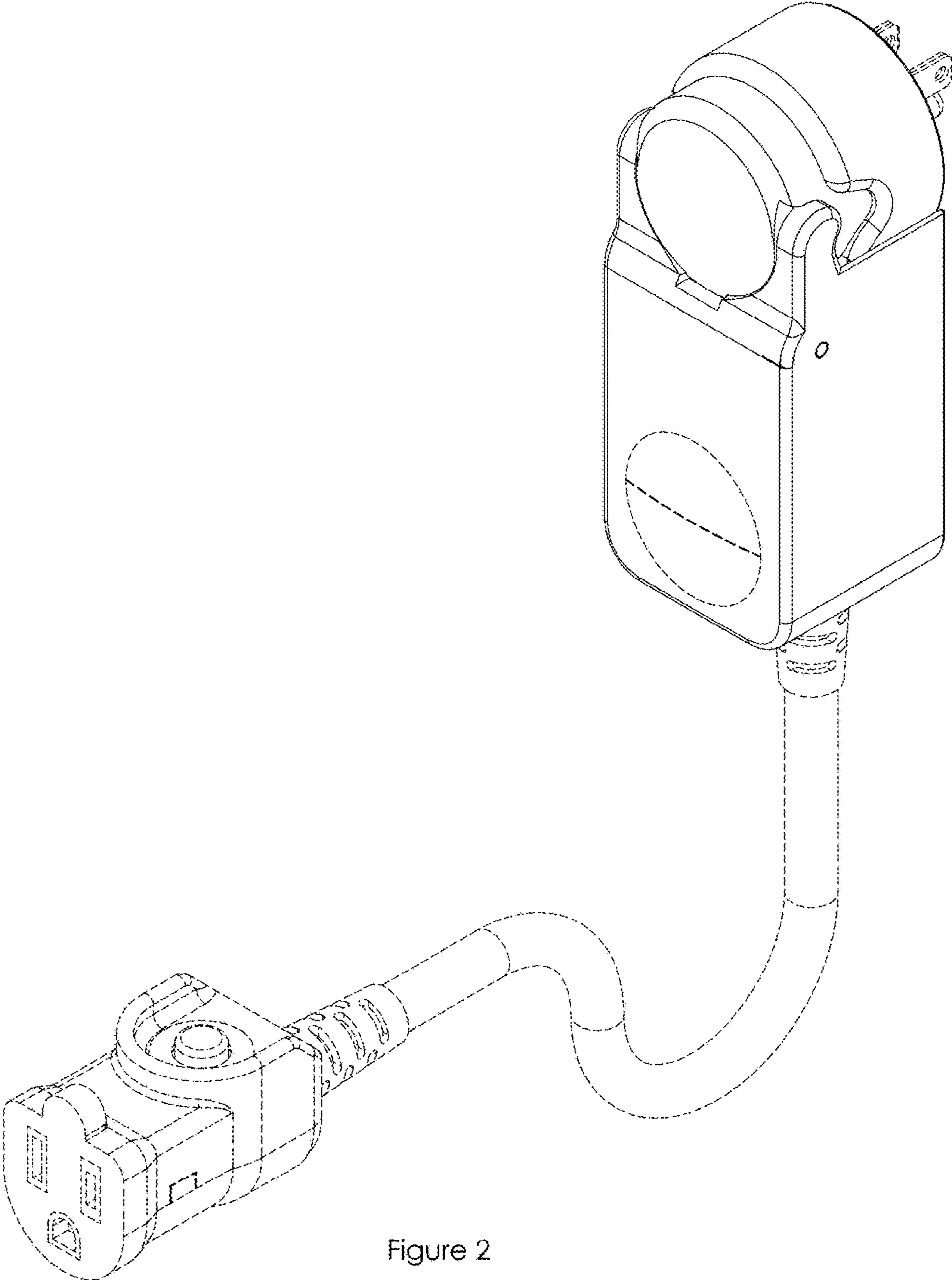


Figure 2

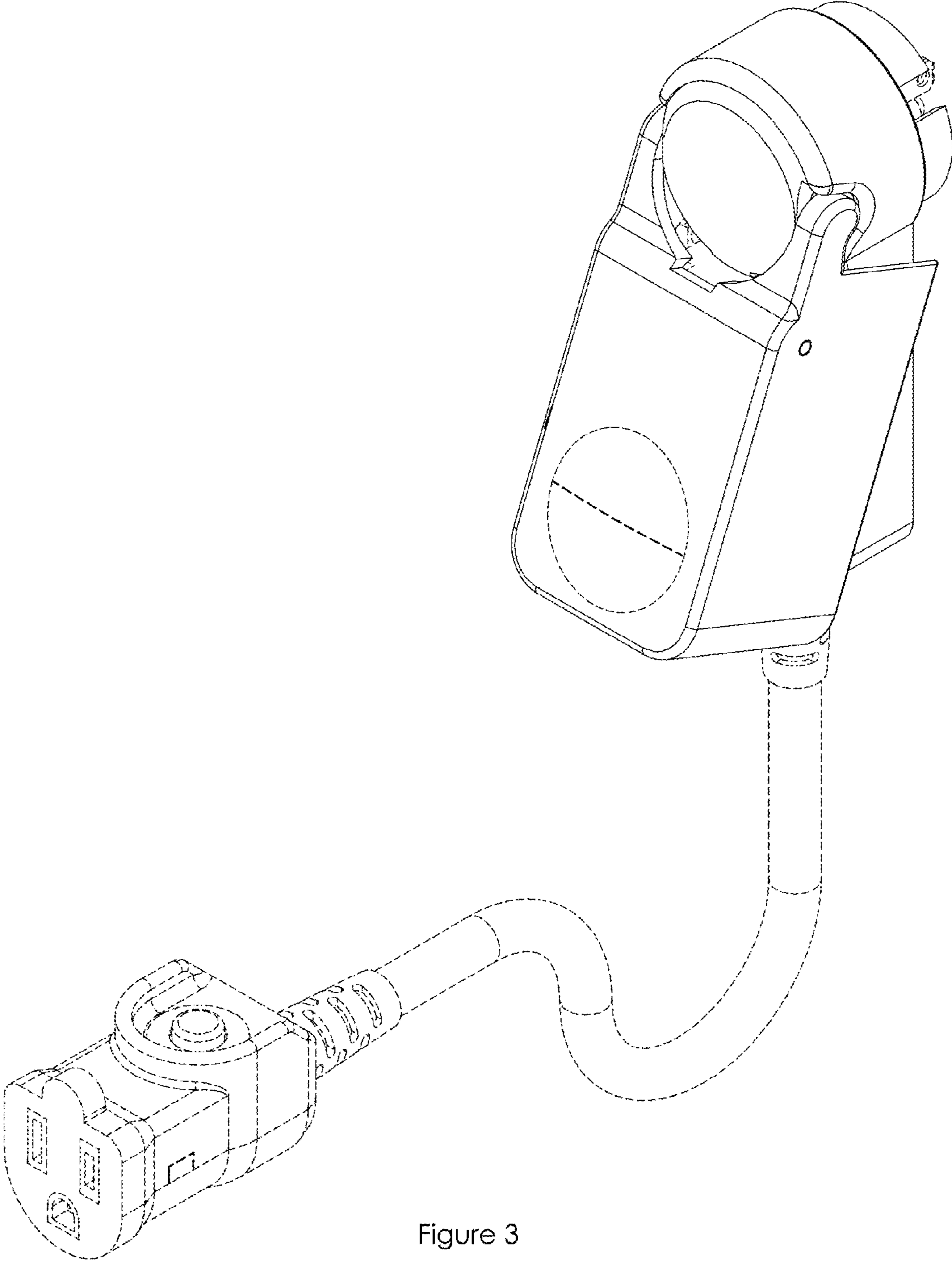


Figure 3

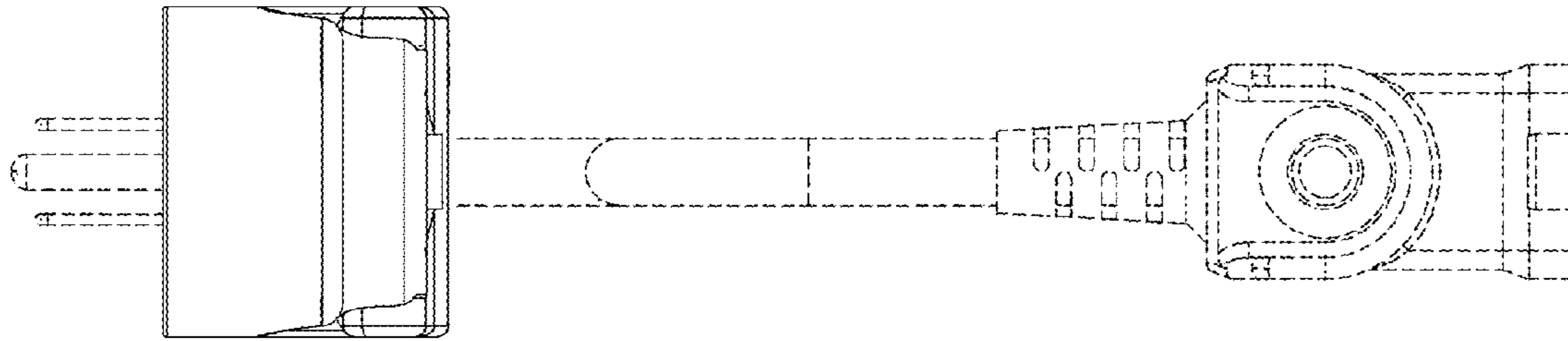


Figure 4

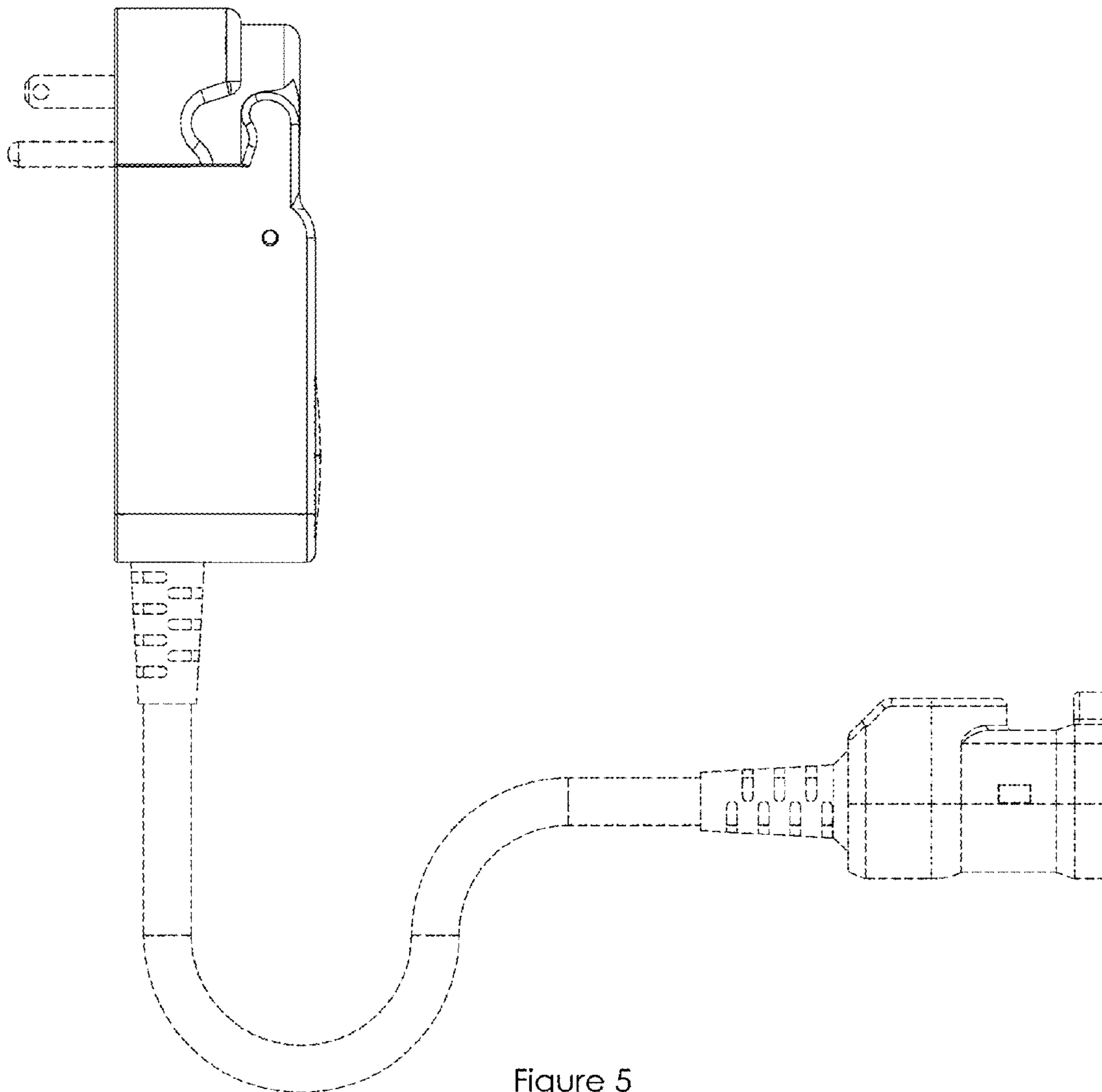


Figure 5

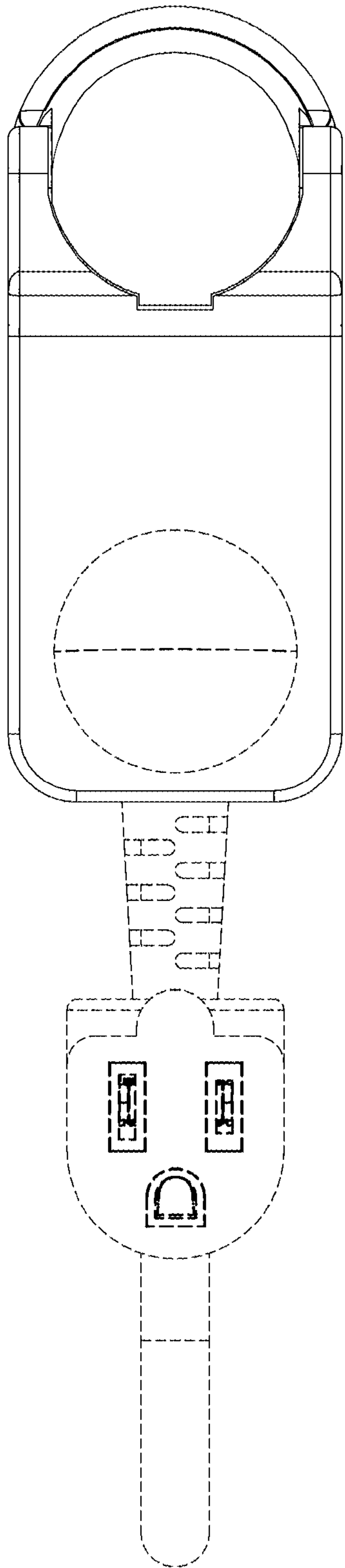


Figure 6

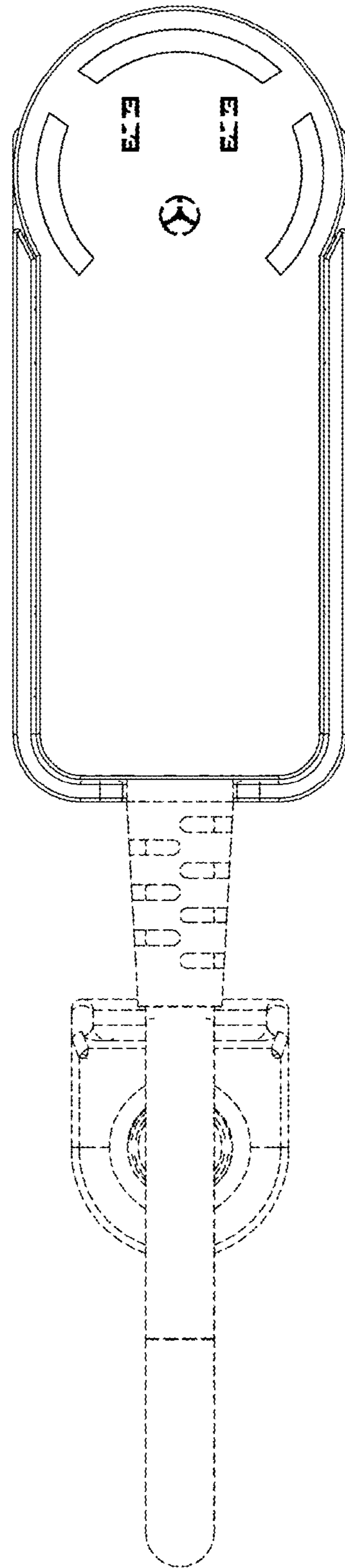


Figure 7

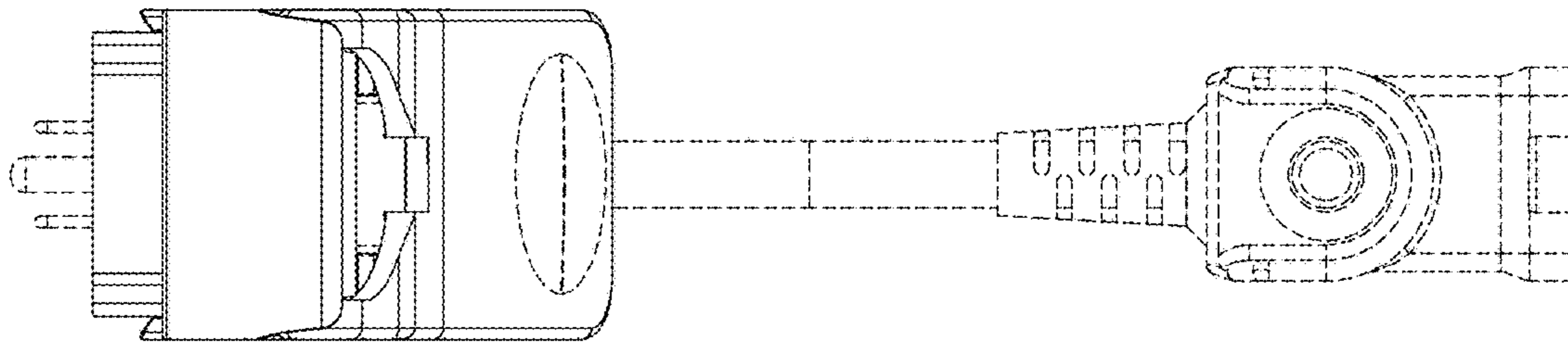


Figure 8

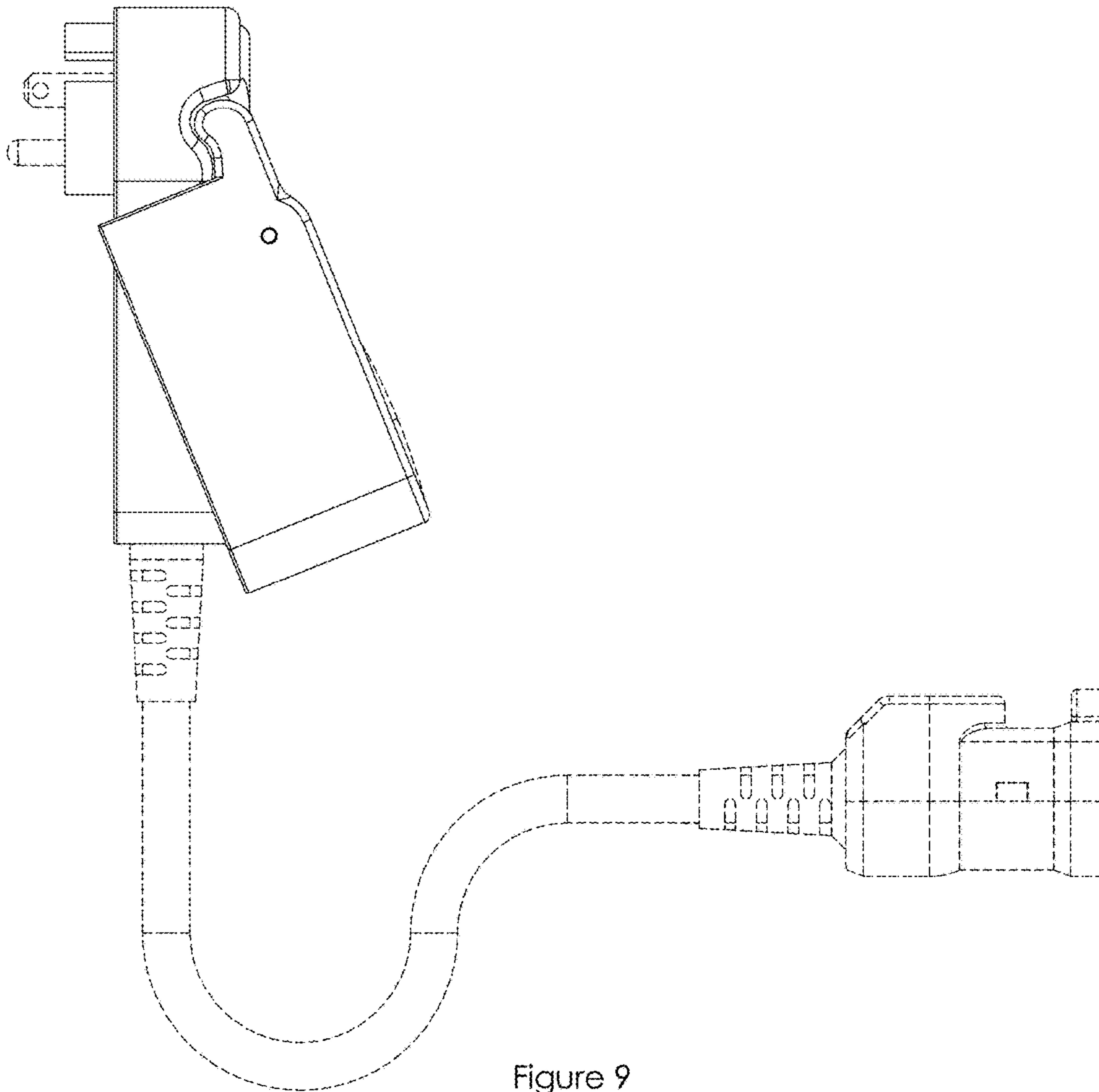


Figure 9

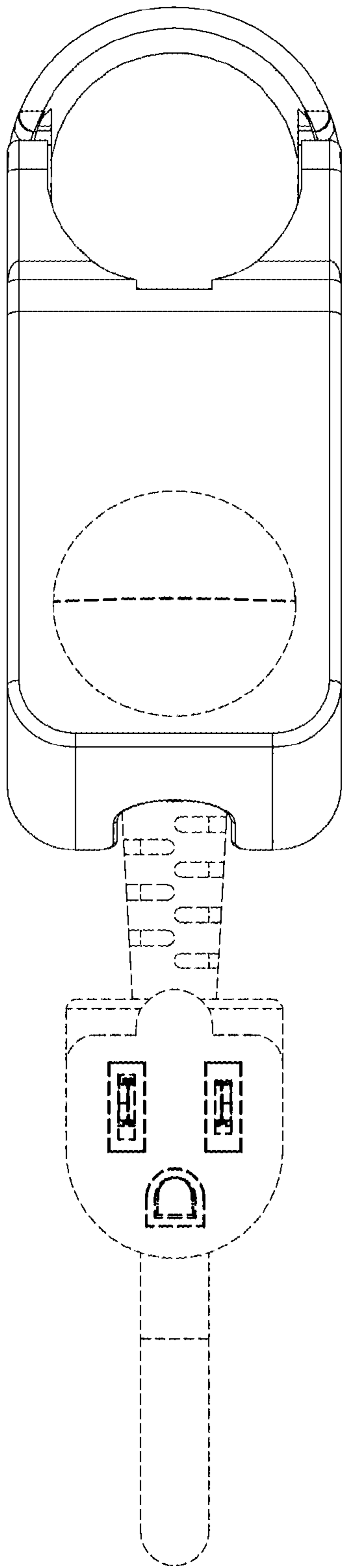


Figure 10

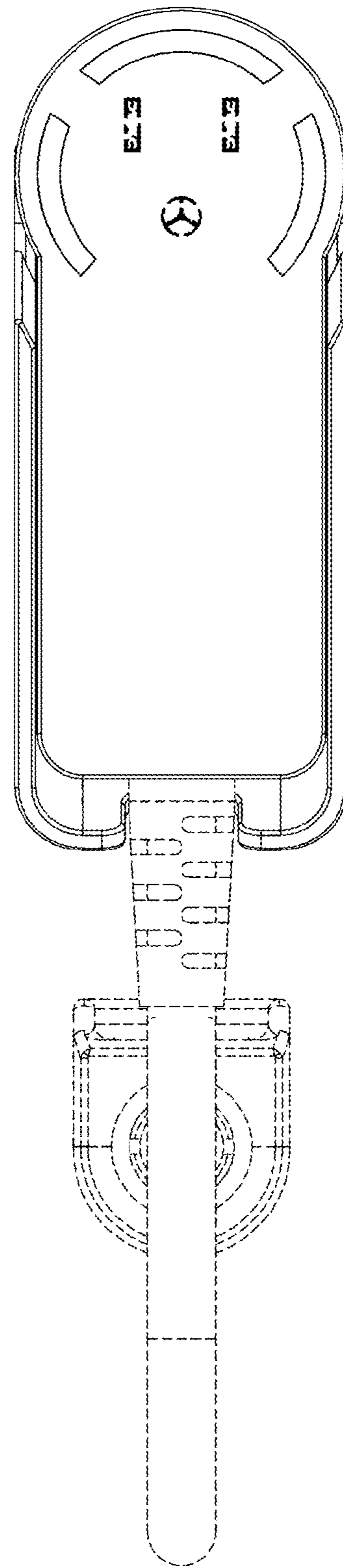


Figure 11