



US00D857631S

(12) **United States Design Patent**
Dallas

(10) **Patent No.:** **US D857,631 S**

(45) **Date of Patent:** **** Aug. 27, 2019**

(54) **ELECTRICAL PLUG**

(71) Applicant: **Blount, Inc.**, Portland, OR (US)

(72) Inventor: **Edgar A. Dallas**, Beaverton, OR (US)

(73) Assignee: **Blount, Inc.**, Portland, OR (US)

(**) Term: **15 Years**

(21) Appl. No.: **29/602,831**

(22) Filed: **May 3, 2017**

(51) **LOC (12) Cl.** **13-03**

(52) **U.S. Cl.**
USPC **D13/137.2**

(58) **Field of Classification Search**
USPC D13/152, 119, 147, 156, 177, 184, 107,
D13/108, 110, 123, 133, 137.1-137.4,
D13/138.1-138.2, 139.1-139.8, 153, 154,
D13/146, 158; D8/350, 351-353;
D25/119, 127, 134, 48.4; D26/74, 138
CPC F21S 8/02; F21V 23/00; F21V 23/001;
H01R 25/00; H01R 25/006; H01R 11/00;
H01R 9/00; H01R 13/5845; H01R 13/72;
H01R 31/06; H01R 24/28; H01R 13/46;
F16J 13/10; F16B 5/02; H02J 2007/0062;
H01B 7/2806

See application file for complete search history.

(56) **References Cited**

U.S. PATENT DOCUMENTS

D653,622 S *	2/2012	Wang	D13/147
D690,268 S *	9/2013	Sasaki	D13/147
D690,269 S *	9/2013	Sasaki	D13/147
D693,310 S *	11/2013	Wang	D13/147
D705,172 S *	5/2014	Nomura	D13/147
D706,721 S *	6/2014	Naito	D13/147

D710,309 S *	8/2014	Arai	D13/147
D713,349 S *	9/2014	Igarashi	D13/147
D730,292 S *	5/2015	Wohlhueter	D13/147
D743,895 S *	11/2015	Akana	D13/147
D806,037 S *	12/2017	Tanaka	D13/147
D811,348 S *	2/2018	Cueller	D13/152
D815,599 S *	4/2018	Kobayashi	D13/147
D819,573 S *	6/2018	Li	D13/147

* cited by examiner

Primary Examiner — Rosemary K Tarcza

Assistant Examiner — Christy M Nemeth

(74) *Attorney, Agent, or Firm* — Schwabe Williamson & Wyatt, P.C.

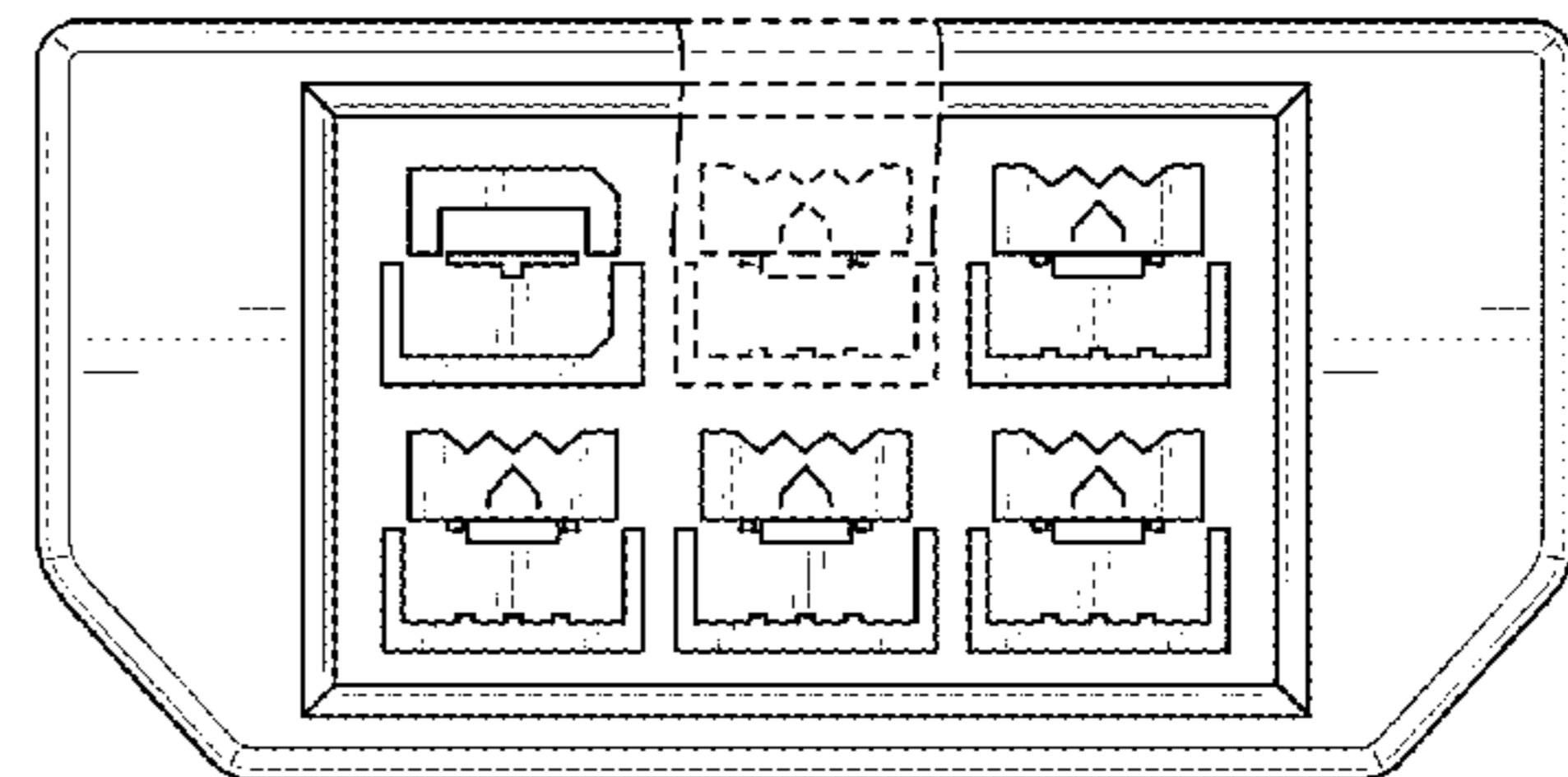
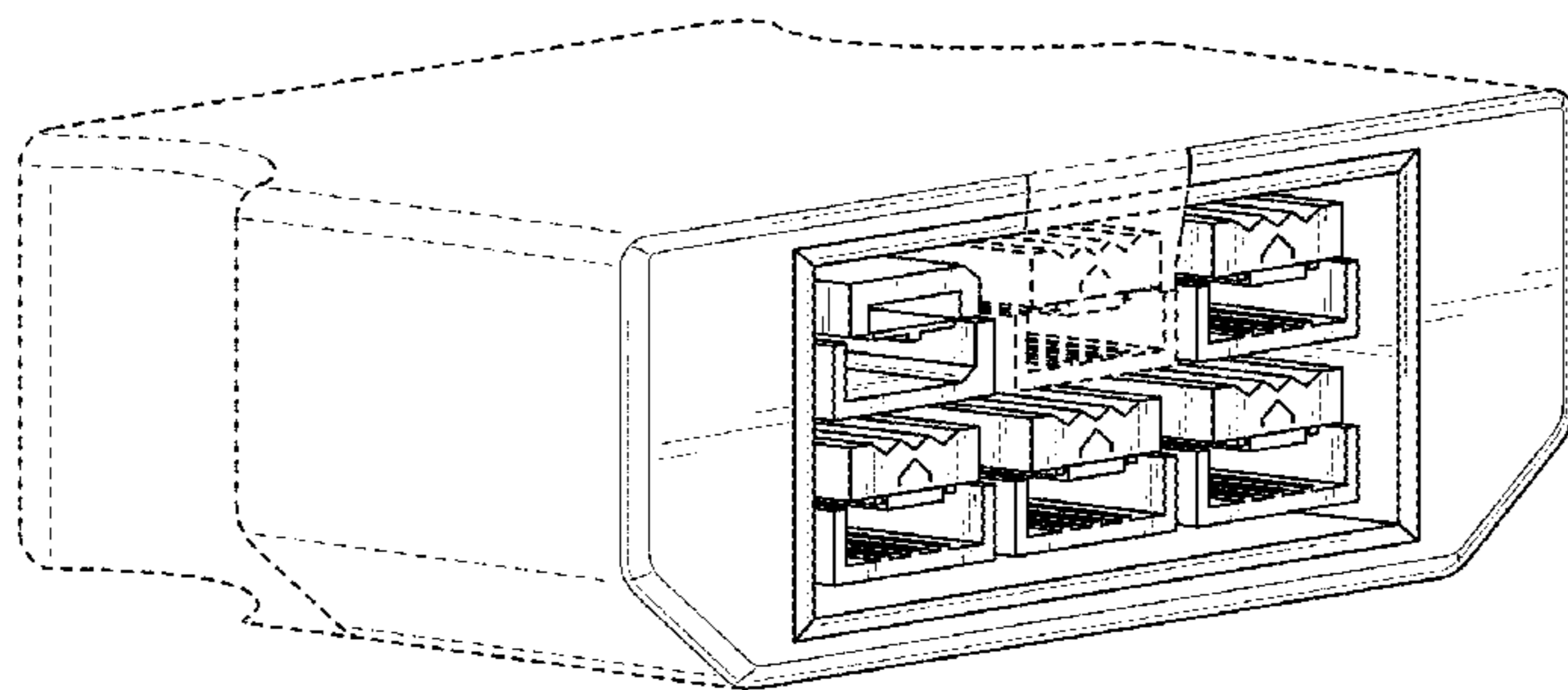
(57) **CLAIM**

I claim the ornamental design for an electrical plug, as shown and described.

DESCRIPTION

FIG. 1 is a perspective view of an electrical plug of my new design, according to a first embodiment;
FIG. 2 is a front view thereof;
FIG. 3 is a back view thereof;
FIG. 4 is a left side view thereof;
FIG. 5 is a right side view thereof;
FIG. 6 is a top view thereof;
FIG. 7 is a bottom view thereof;
FIG. 8 is a front view of an electrical plug of my new design, according to a second embodiment; and,
FIG. 9 is a perspective view of the electrical plug of FIG. 8. The broken lines in the drawings are for the purpose of illustrating environmental structure which forms no part of the claimed design. The further views of the plug of FIGS. 8-9 are the same as those shown in FIGS. 3-7, and are thus not provided herein.

1 Claim, 9 Drawing Sheets



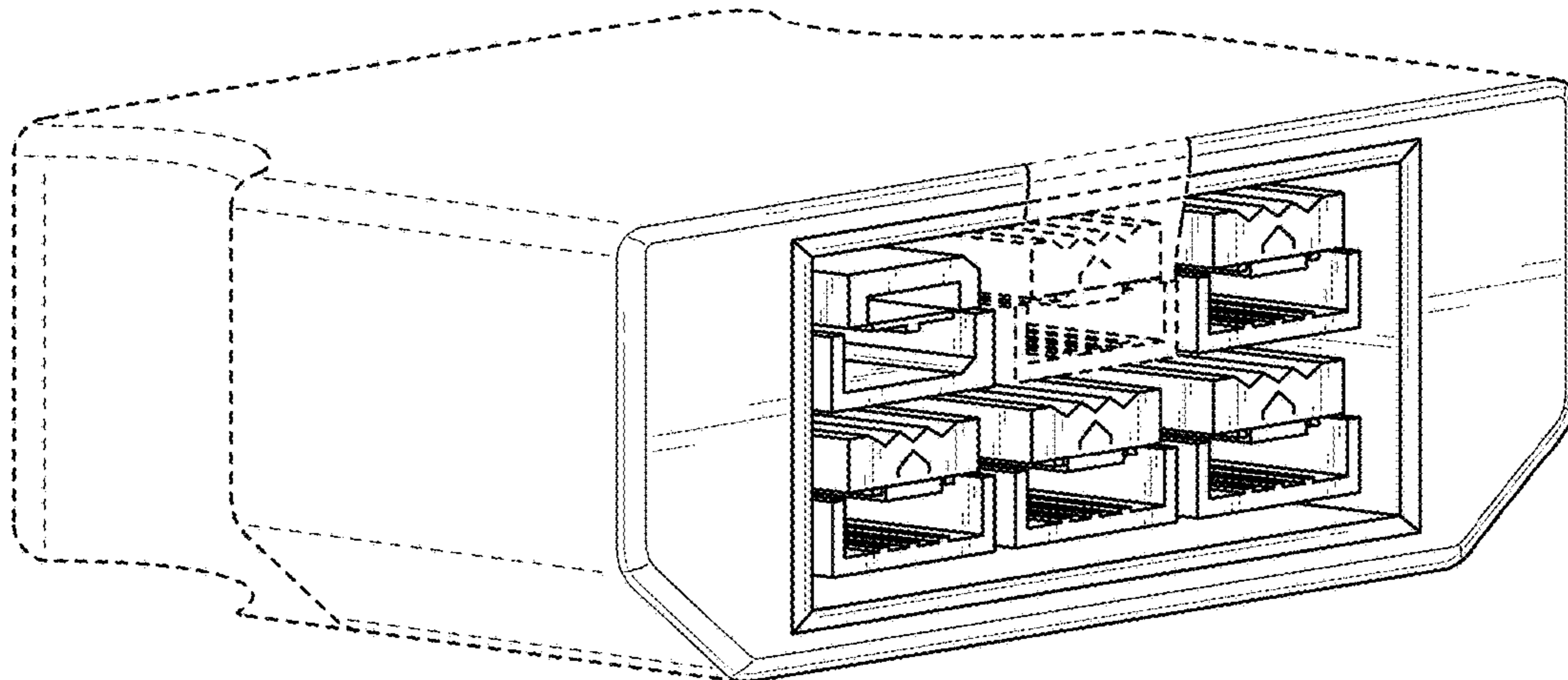


FIG. 1

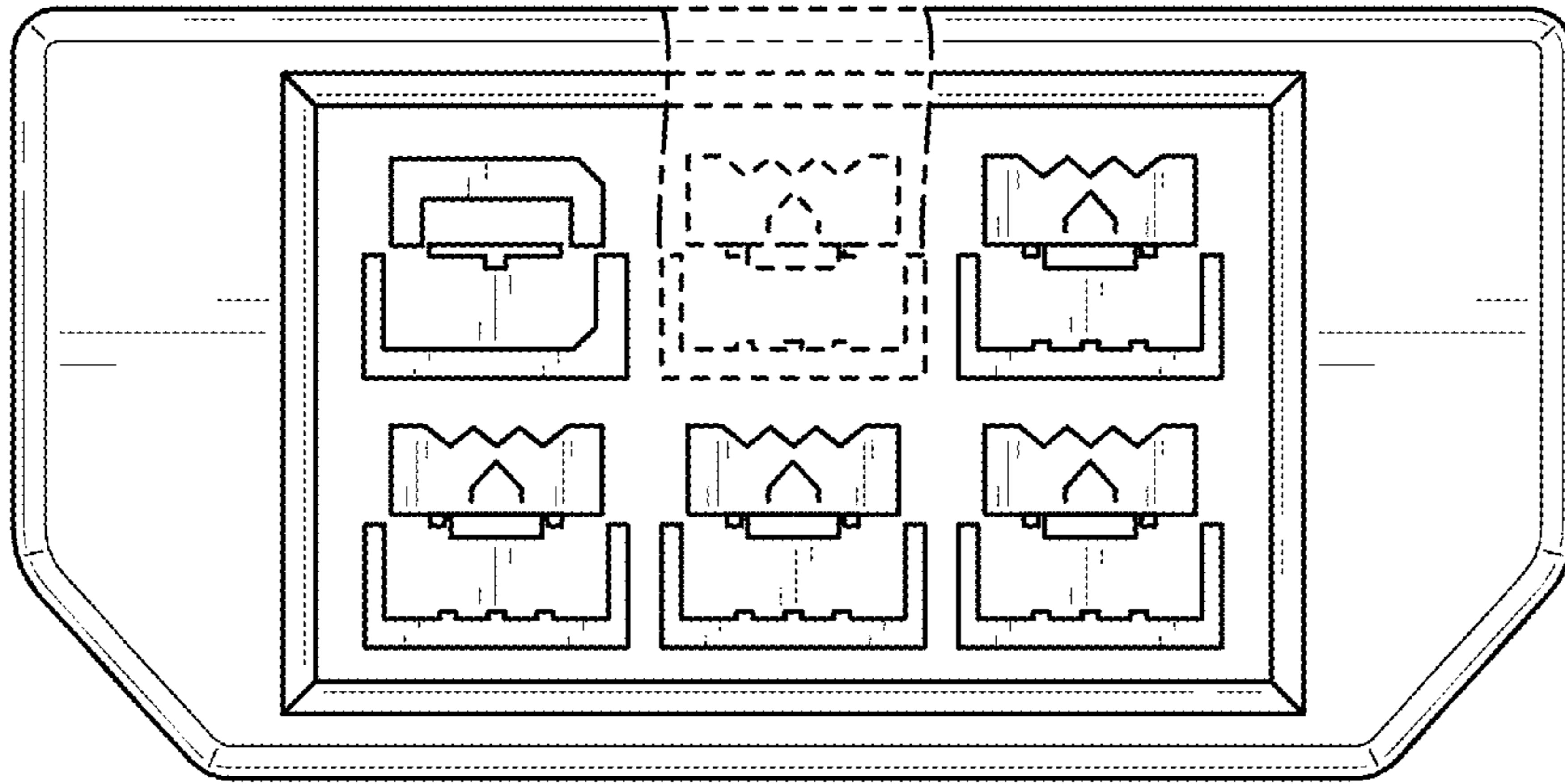


FIG. 2

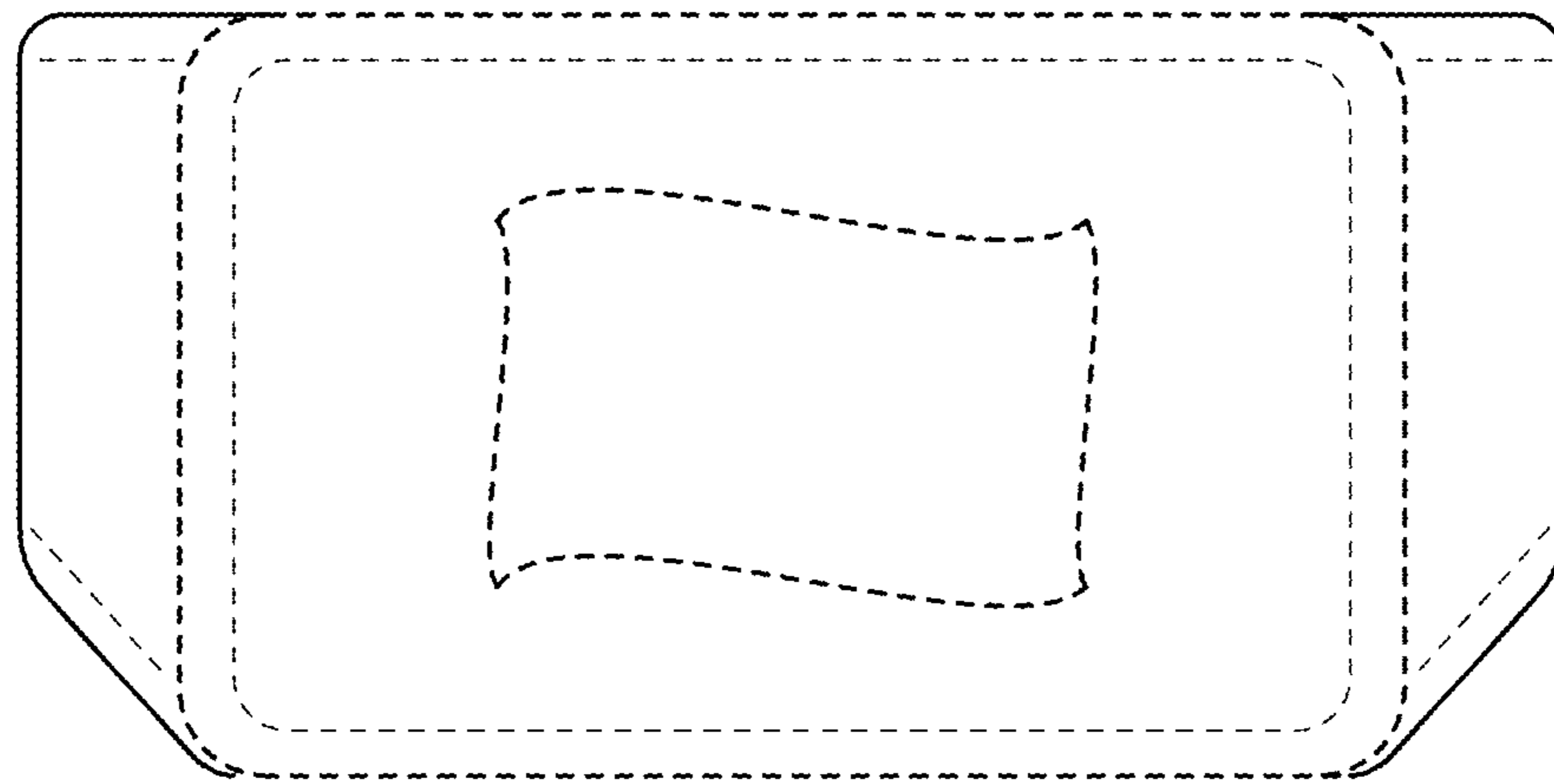


FIG. 3

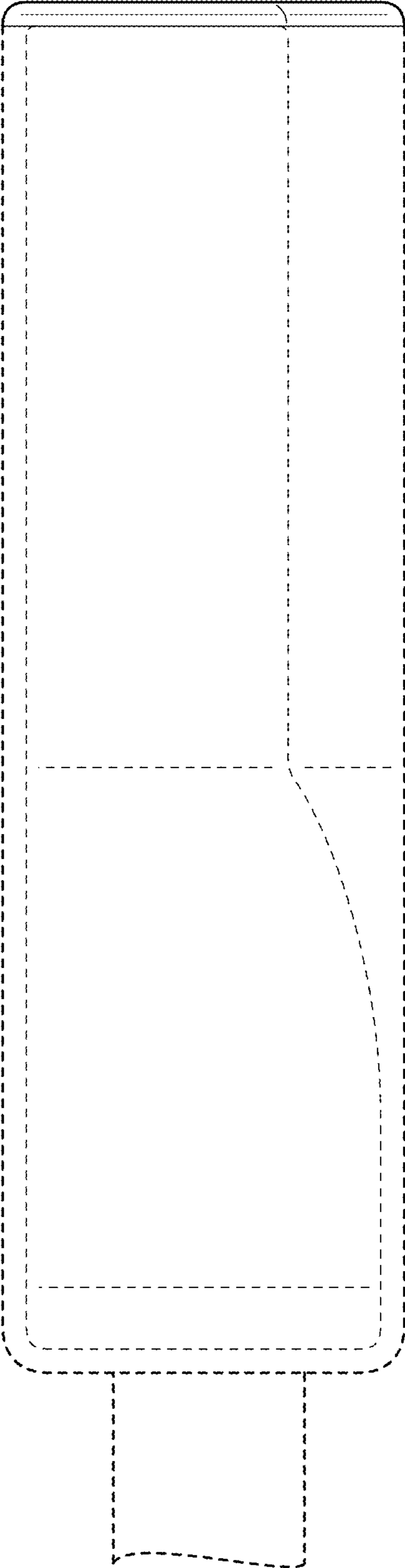


FIG. 4

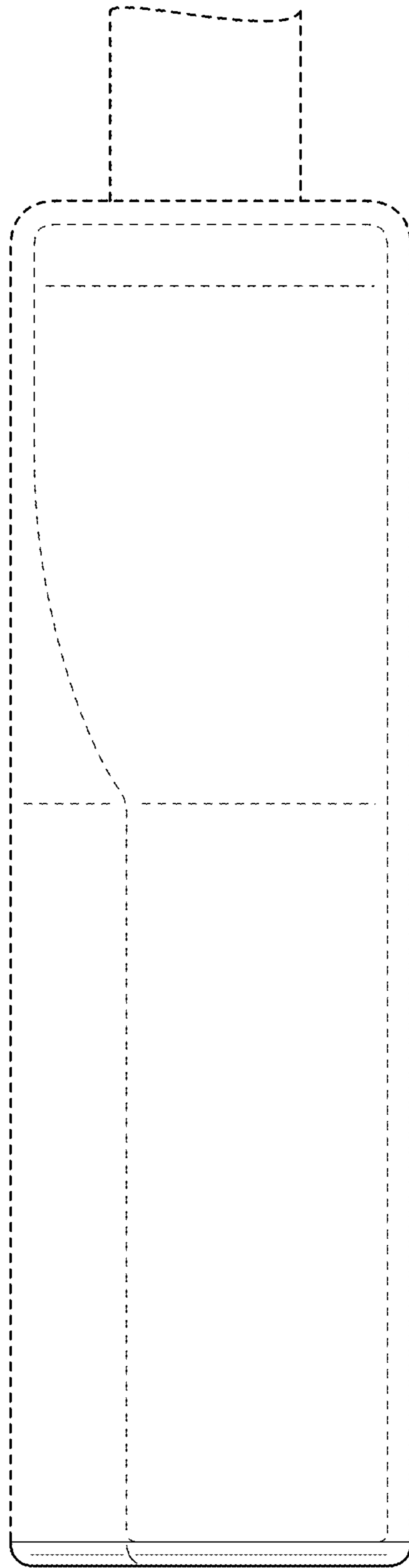


FIG. 5

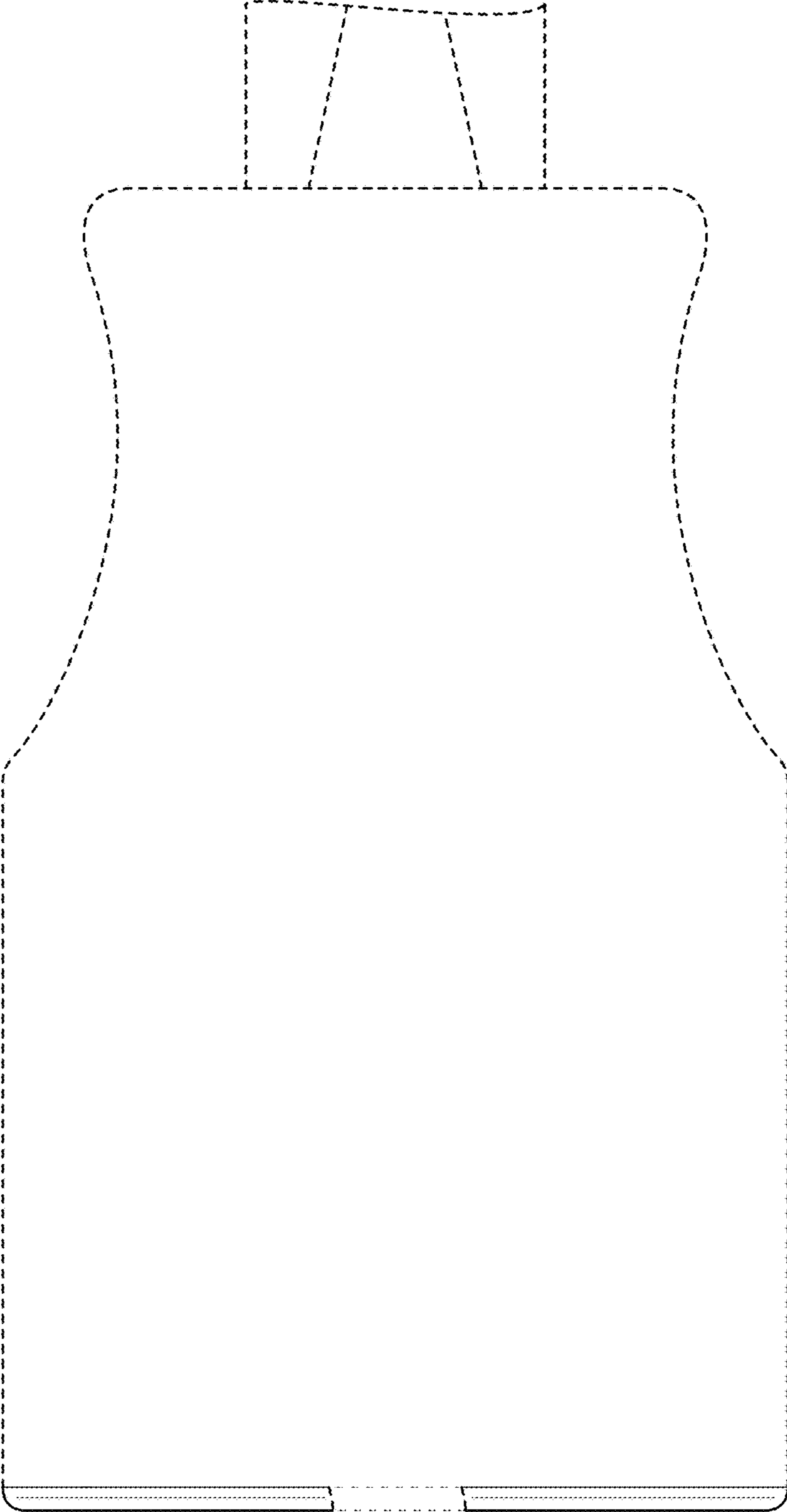


FIG. 6

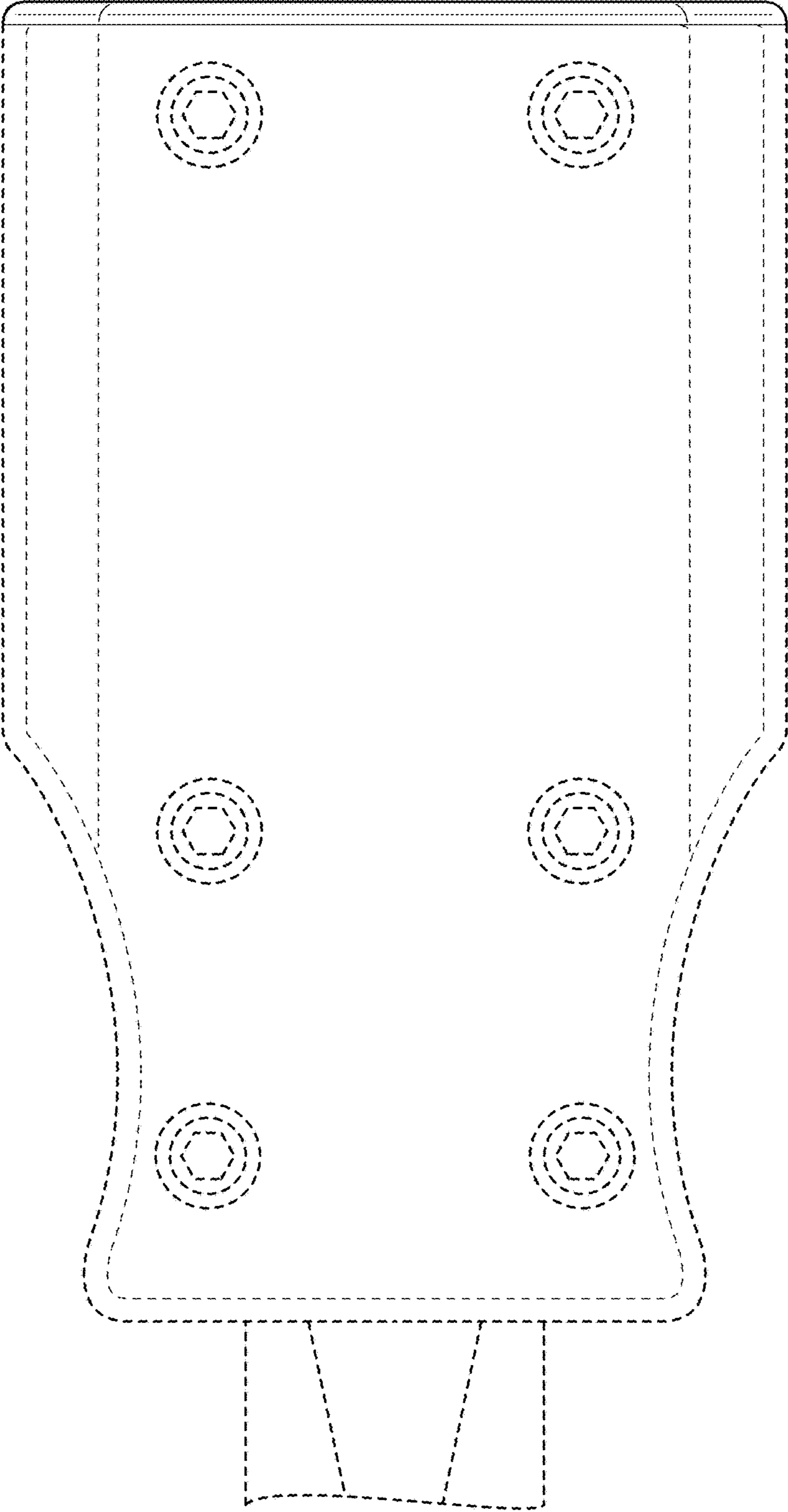


FIG. 7

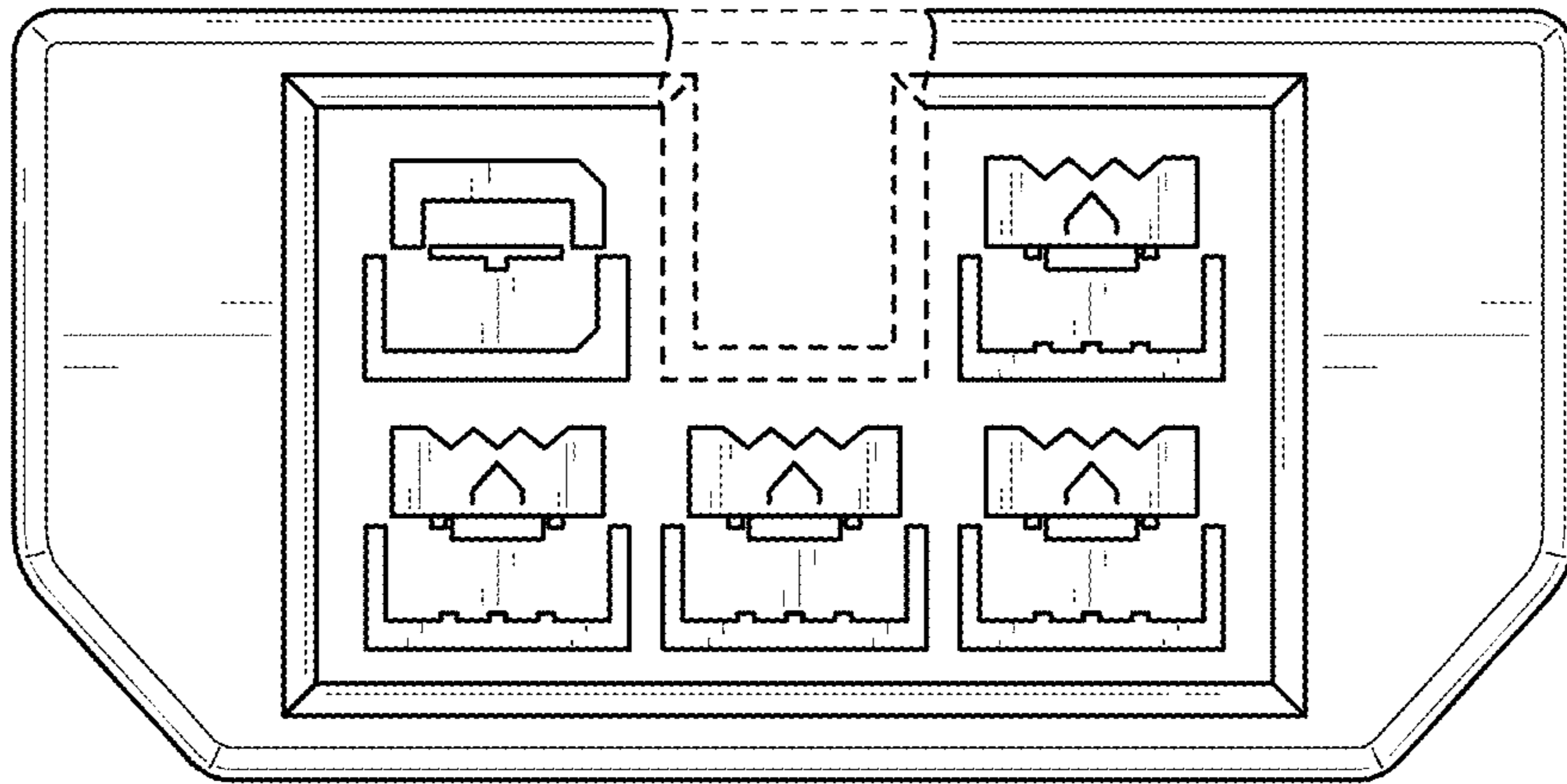


FIG. 8

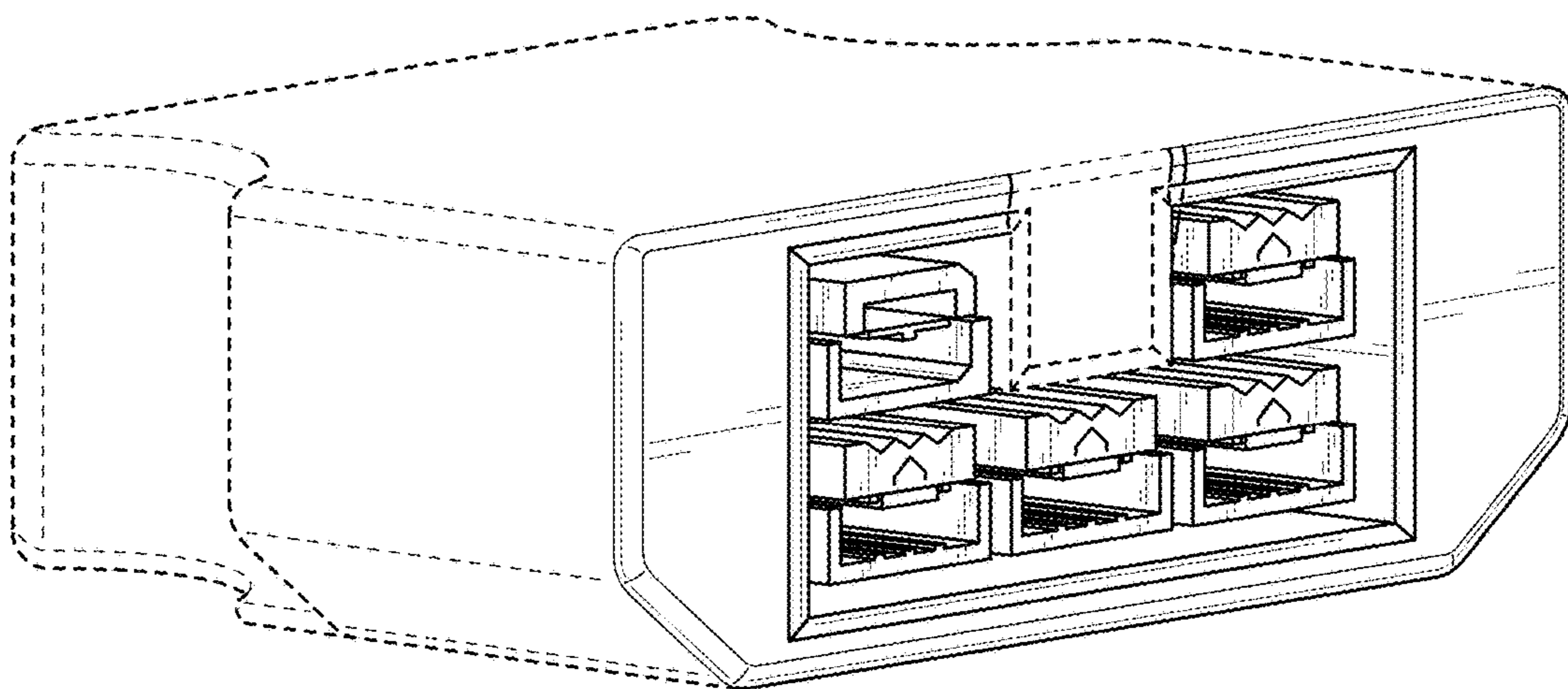


FIG. 9