



US00D857629S

(12) **United States Design Patent**
Taheri et al.

(10) **Patent No.:** **US D857,629 S**

(45) **Date of Patent:** **** Aug. 27, 2019**

- (54) **BATTERY COVER**
- (71) Applicant: **Batis, LLC**, Sunnyvale, CA (US)
- (72) Inventors: **Farshad Taheri**, Mountain View, CA (US); **Timothy Leong Yew Tan**, San Francisco, CA (US)
- (73) Assignee: **Batis, LLC**, Sunnyvale, CA (US)
- (**) Term: **15 Years**
- (21) Appl. No.: **29/623,278**
- (22) Filed: **Oct. 24, 2017**
- (51) **LOC (12) Cl.** **13-02**
- (52) **U.S. Cl.**
USPC **D13/119**
- (58) **Field of Classification Search**
USPC D13/102-108, 110, 118, 119, 184, 199;
D14/250; D8/61; D9/772, 422, 428
CPC Y02E 60/12; Y02E 60/122; Y02E 60/124;
Y02E 60/50; H01M 2/02; H01M 2/022;
H01M 2/0202; H01M 2/0207; H01M
2/0212; H01M 2/1061; H01M 2/1022;
H01M 2/1055; H01M 2/1066; H01M
2/105; H01M 2/204; H01M 10/4257;
H01M 10/0436; H01M 10/48
See application file for complete search history.

- 5,896,277 A * 4/1999 Leon H01M 2/1022
361/814
- D421,418 S * 3/2000 Dow D13/119
- D467,145 S * 12/2002 Ehrlich D8/61
- D470,374 S * 2/2003 Murray D8/61
- D519,243 S * 4/2006 Kling D28/51
- D689,354 S * 9/2013 Mitchell D8/61
- 9,614,205 B2 * 4/2017 Mannanayak H01M 2/1061
- D822,599 S * 7/2018 Zhong D13/108

OTHER PUBLICATIONS

Banggood.com: Portable Electric Clothes Lint Pill Fluff Remover Fabrics Sweater Fuzz Shaver. Published Mar. 17, 2016. Retrieved from the internet at <<https://www.banggood.com/Portable-Electric-Clothes-Lint-Pill-Fluff-Remover-Fabrics-Sweater-Fuzz-Shaver-p-1013808.html>>, Nov. 5, 2018. 1 page. (Year: 2016).*

(Continued)

Primary Examiner — Rosemary K Tarcza
Assistant Examiner — Christy M Nemeth
(74) *Attorney, Agent, or Firm* — Erise IP, P.A.

(57) **CLAIM**

The ornamental design for a battery cover, as shown and described.

DESCRIPTION

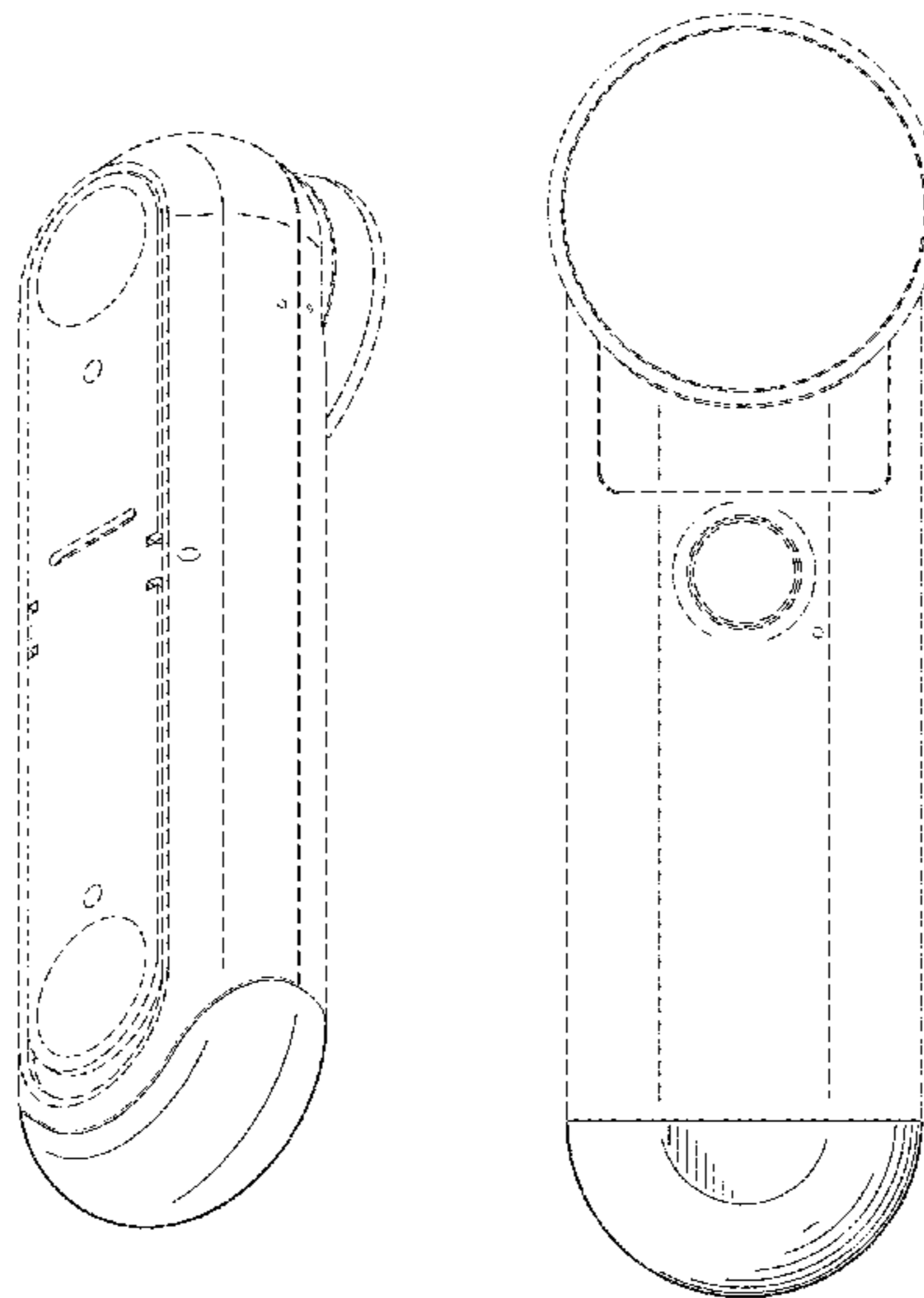
FIG. 1 is a front perspective view of a battery cover embodying the design;
FIG. 2 is a back perspective view thereof;
FIG. 3 is a front view thereof;
FIG. 4 is a back view thereof;
FIG. 5 is a left side view thereof;
FIG. 6 is a right side view thereof;
FIG. 7 is a top plan view thereof; and,
FIG. 8 is a bottom plan view thereof.
The features shown in broken lines depict environmental structure only and form no part of the claimed design.

1 Claim, 4 Drawing Sheets

(56) **References Cited**

U.S. PATENT DOCUMENTS

- D286,328 S * 10/1986 Ullmann D28/49
- D327,827 S * 7/1992 Kwan D8/61
- D335,647 S * 5/1993 Hood D13/119
- D367,947 S * 3/1996 Kip D28/51
- D386,822 S * 11/1997 Van Scoyoc D28/49
- D387,328 S * 12/1997 Ueda D13/103
- D389,158 S * 1/1998 Oross D13/119
- D392,940 S * 3/1998 Shen D13/110



(56)

References Cited

OTHER PUBLICATIONS

Digitaltrends.com: The Arbor Video Doorbell gives a full-HD view of your front porch. Published May 16, 2018. Retrieved from the internet at <<https://www.digitaltrends.com/home/arbor-video-doorbell/>>, Nov. 5, 2018. 1 page. (Year: 2018).*

* cited by examiner

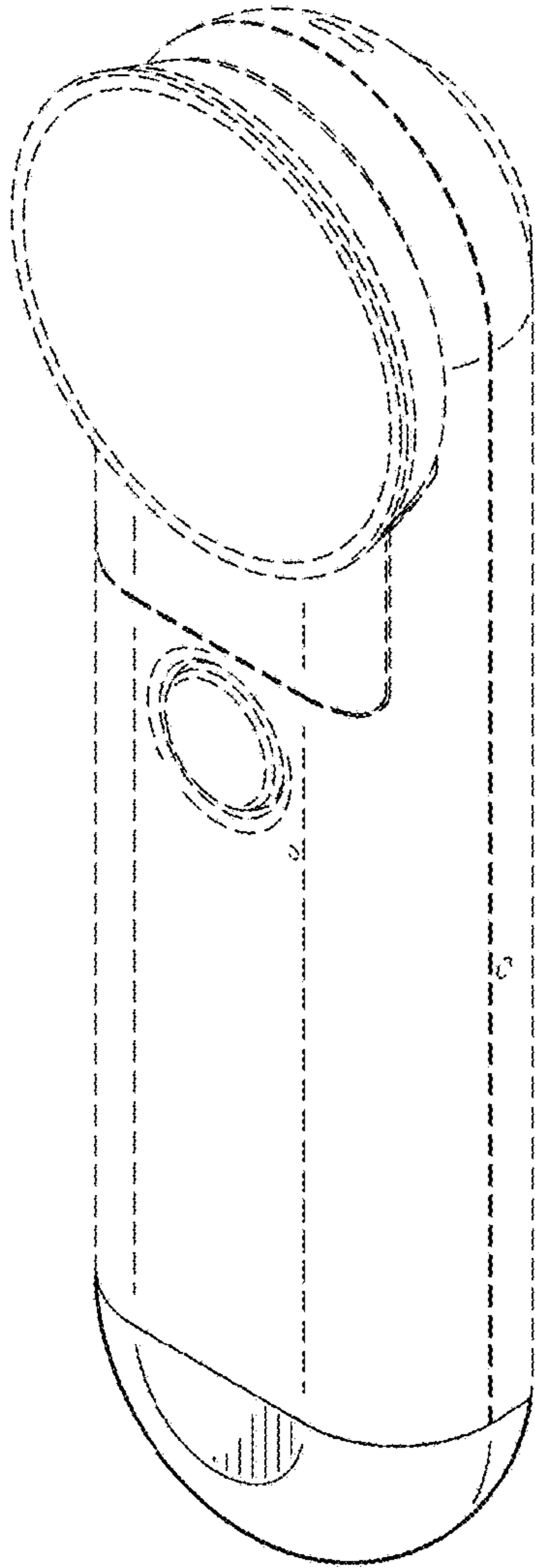


Fig. 1

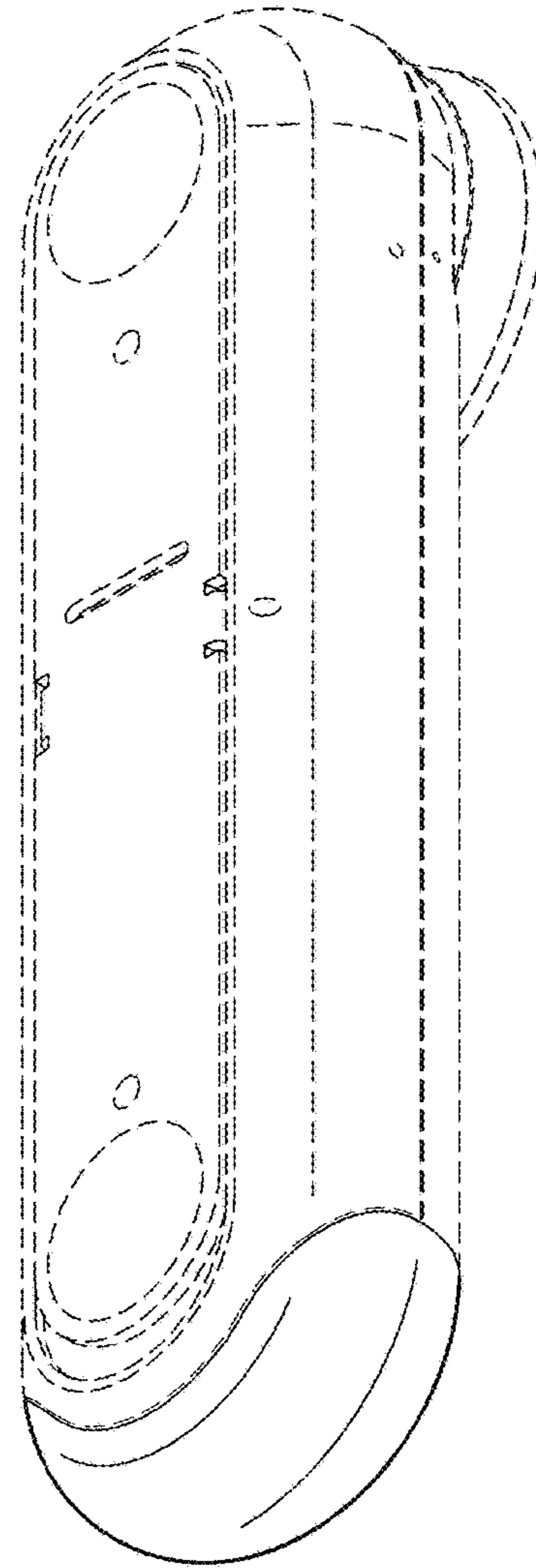


Fig. 2

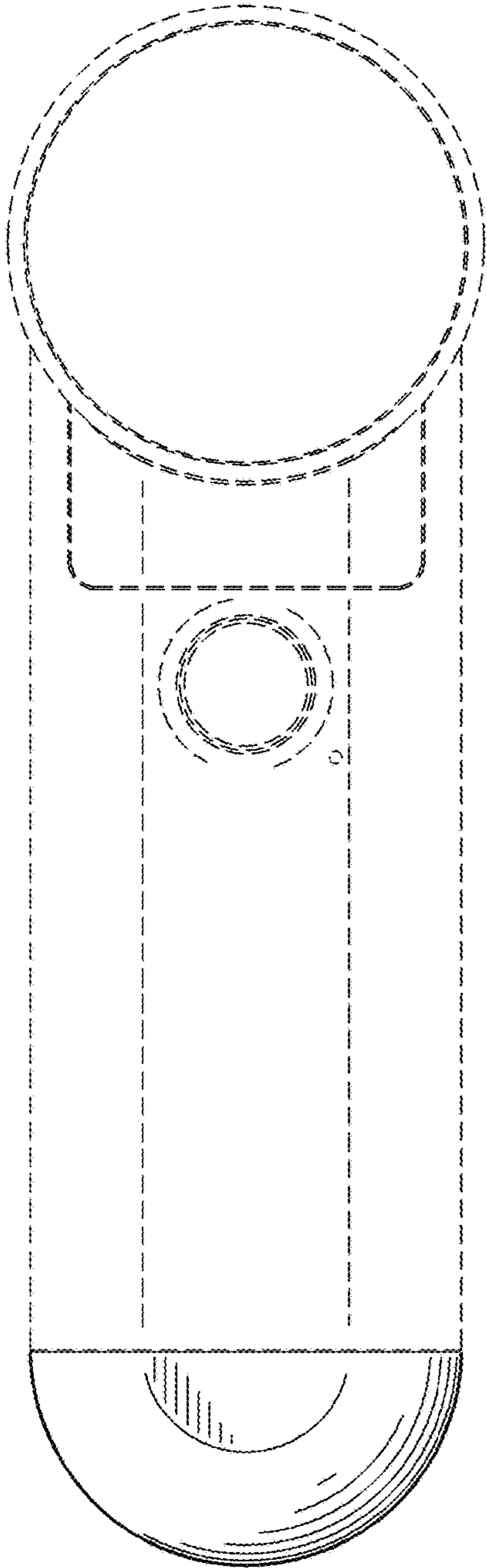


Fig. 3

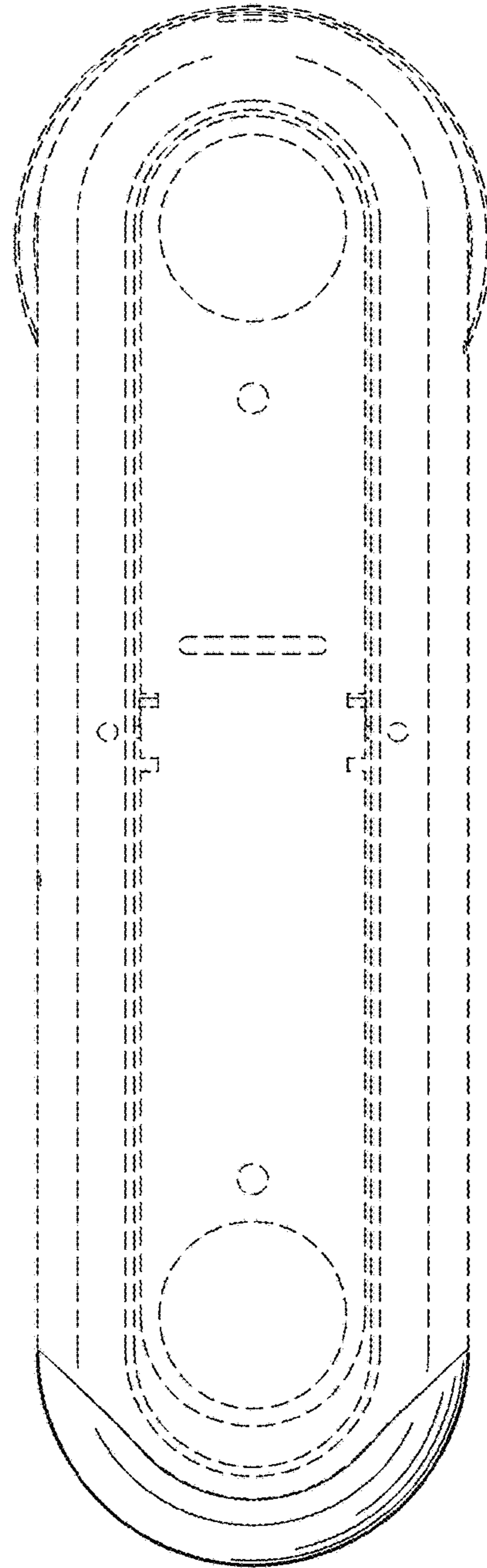


Fig. 4

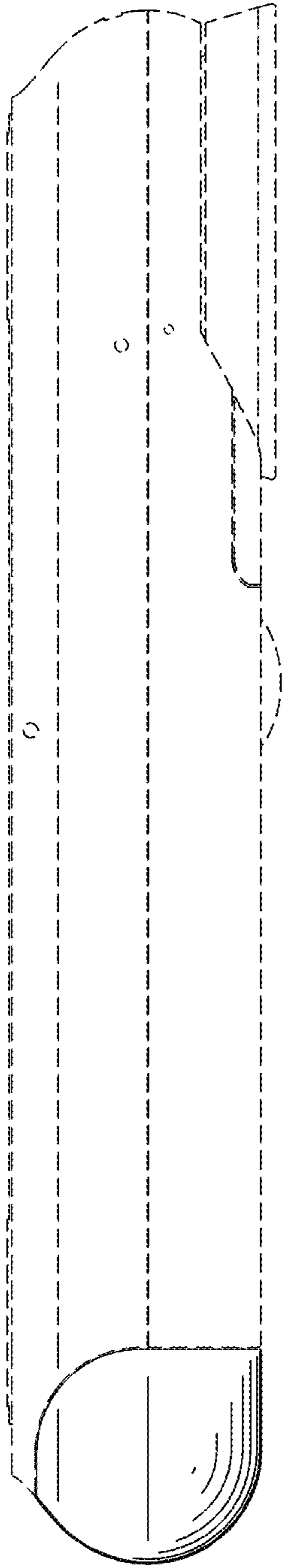


Fig. 5

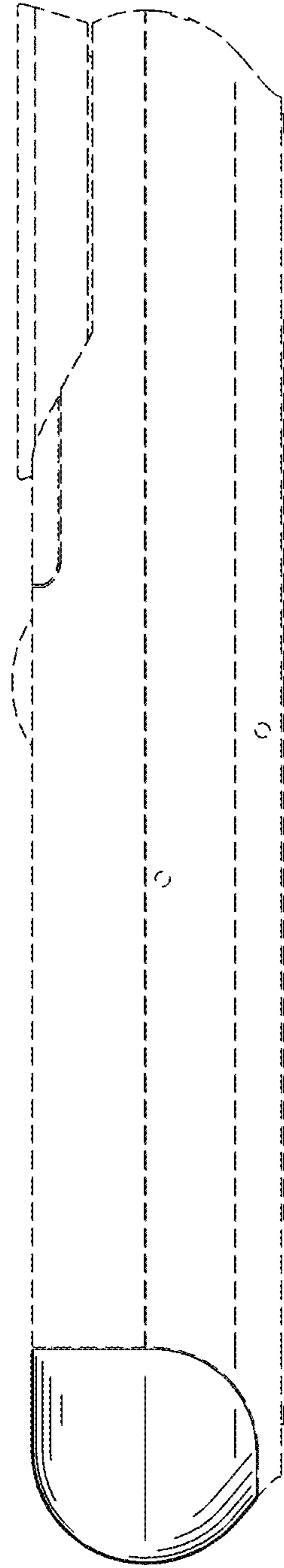


Fig. 6



Fig. 7

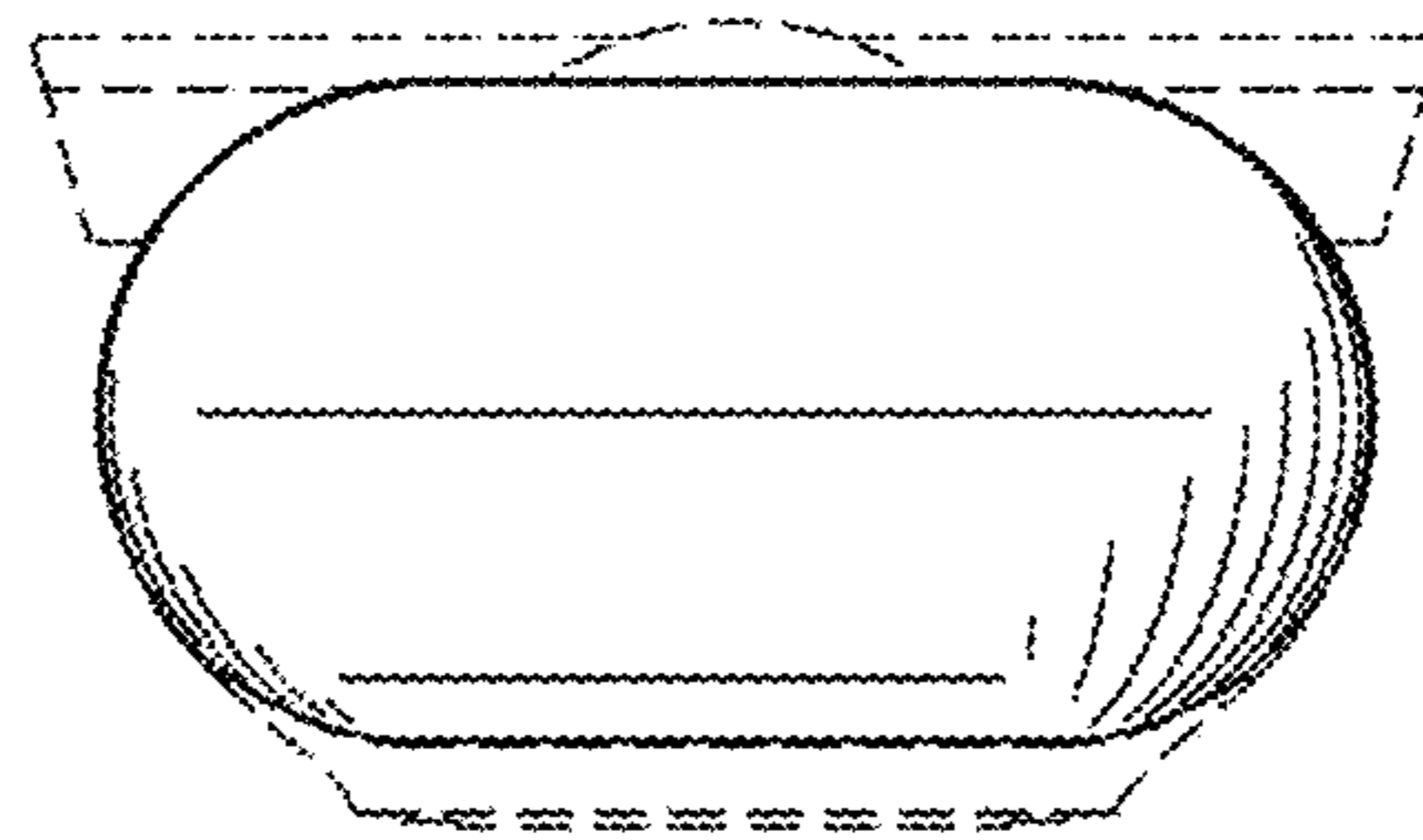


Fig. 8