



US00D857628S

(12) **United States Design Patent**
Chen et al.

(10) **Patent No.:** **US D857,628 S**

(45) **Date of Patent:** **** Aug. 27, 2019**

(54) **HELICAL GEAR MOTOR**

(71) Applicant: **Hangzhou Jie Drive Technology Co., Ltd., Zhejiang (CN)**

(72) Inventors: **Demu Chen, Zhejiang (CN); Zhiming Tong, Zhejiang (CN); Guangpei Fu, Zhejiang (CN)**

(**) Term: **15 Years**

(21) Appl. No.: **29/609,038**

(22) Filed: **Jun. 28, 2017**

(51) **LOC (12) Cl.** **13-01**

(52) **U.S. Cl.**
USPC **D13/112; D15/148**

(58) **Field of Classification Search**
USPC D12/114, 124; D13/101, 112, 113, 114, D13/199; D15/1-5, 7, 148, 149
CPC Y02T 10/6217; Y02T 10/6234; Y02T 10/7077; B60K 6/442; B60L 11/123; B60L 11/14

See application file for complete search history.

(56) **References Cited**

U.S. PATENT DOCUMENTS

D273,586 S *	4/1984	Hodgson	D15/1
D429,216 S *	8/2000	Hemphill	D12/114
D431,572 S *	10/2000	Antony	D15/5
D447,148 S *	8/2001	Antony	D15/7
D511,138 S *	11/2005	Kwan	D13/112
D568,811 S *	5/2008	Andersson	D13/112
D568,812 S *	5/2008	Andersson	D13/112
D573,091 S *	7/2008	Shih	D13/112
D576,941 S *	9/2008	Evon	D13/112
D578,063 S *	10/2008	Lannoch	D13/112
D587,648 S *	3/2009	Lannoch	D13/112
D593,943 S *	6/2009	Lannoch	D13/112
D601,958 S *	10/2009	Huan	D13/112
D603,793 S *	11/2009	Lindberg	D13/112
D652,844 S *	1/2012	Hanitsch	D15/7
D667,372 S *	9/2012	Lannoch	D13/112

D678,194 S *	3/2013	Lannoch	D13/112
D682,784 S *	5/2013	Tomczak	D13/114
D705,816 S *	5/2014	Katada	D13/112
D716,227 S *	10/2014	Lau	D13/112
D729,732 S *	5/2015	Kasaba	D13/112
D742,316 S *	11/2015	Sato	D13/112
D758,310 S *	6/2016	Veeh	D13/112
D775,252 S *	12/2016	Shentu	D15/149

(Continued)

OTHER PUBLICATIONS

JRTR Gearmotors, posted on jie.com.cn, no posted date given, no production date given, [online], [site visited Feb. 14, 2018], Available from Internet, URL: http://www.jie.com.cn/en/products_inner_20.html (Year: 2018).*

(Continued)

Primary Examiner — Garth Rademaker

Assistant Examiner — Fritzgerald L Butac

(74) *Attorney, Agent, or Firm* — Prakash Nama; Global IP Services, PLLC

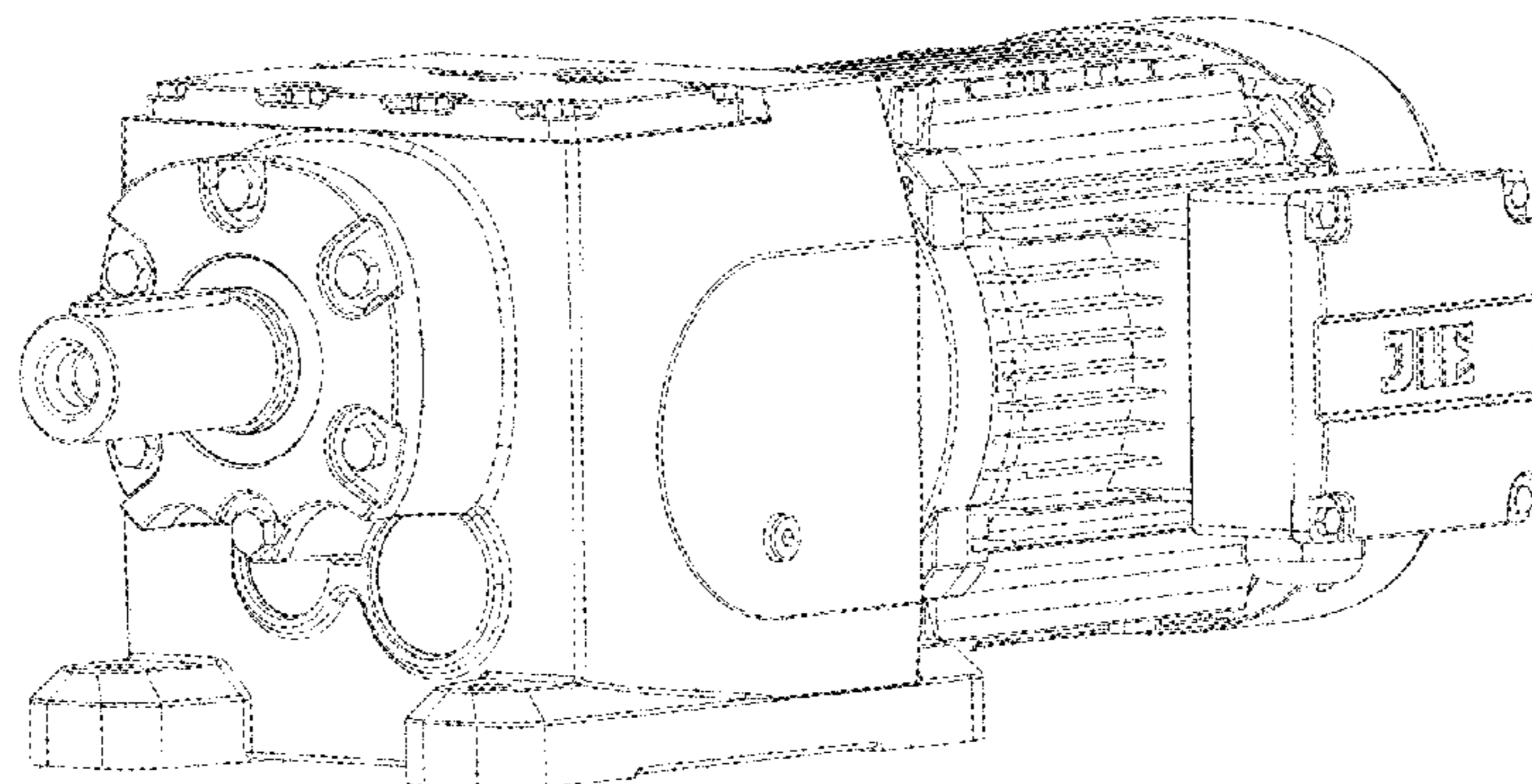
(57) **CLAIM**

The ornamental design for a helical gear motor, as shown and described.

DESCRIPTION

FIG. 1 is a perspective view of a helical gear motor showing our new design;
FIG. 2 is another perspective view thereof;
FIG. 3 is a front elevational view thereof;
FIG. 4 is a rear elevational view thereof;
FIG. 5 is a top plan view thereof;
FIG. 6 is a bottom plan view thereof;
FIG. 7 is a left side view in enlarge scale thereof; and,
FIG. 8 is a right side view in enlarge scale thereof.
The broken lines show portions of a helical gear motor that form no part of the claimed design.

1 Claim, 8 Drawing Sheets



(56)

References Cited

U.S. PATENT DOCUMENTS

D776,055 S * 1/2017 Wallace D13/112
D798,928 S * 10/2017 Ebner D15/148
D801,926 S * 11/2017 Sakai D13/112
D809,459 S * 2/2018 Battistella D13/112

OTHER PUBLICATIONS

Gear Motor Actuator, posted on alibaba.com, no posted date given, no production date given, [online], [site visited Feb. 14, 2018], Available from Internet, URL: https://www.alibaba.com/product-detail/gear-motor-actuator-reducer-worm-gearmotor_60749358469.html?spm=a2700.7724857/A.5.3.5d75784fccjxMd&s=p (Year: 2018).*

Parallel Shaft Gearmotor, posted on alibaba.com, no posted date given, no production date given, [online], [site visited Feb. 14, 2018], Available from Internet, URL: https://www.alibaba.com/product-detail/Parallel-Shaft-Helical-Gearmotor-F-series_60518178345.html?spm=a2700.7724857/ (Year: 2018).*

* cited by examiner

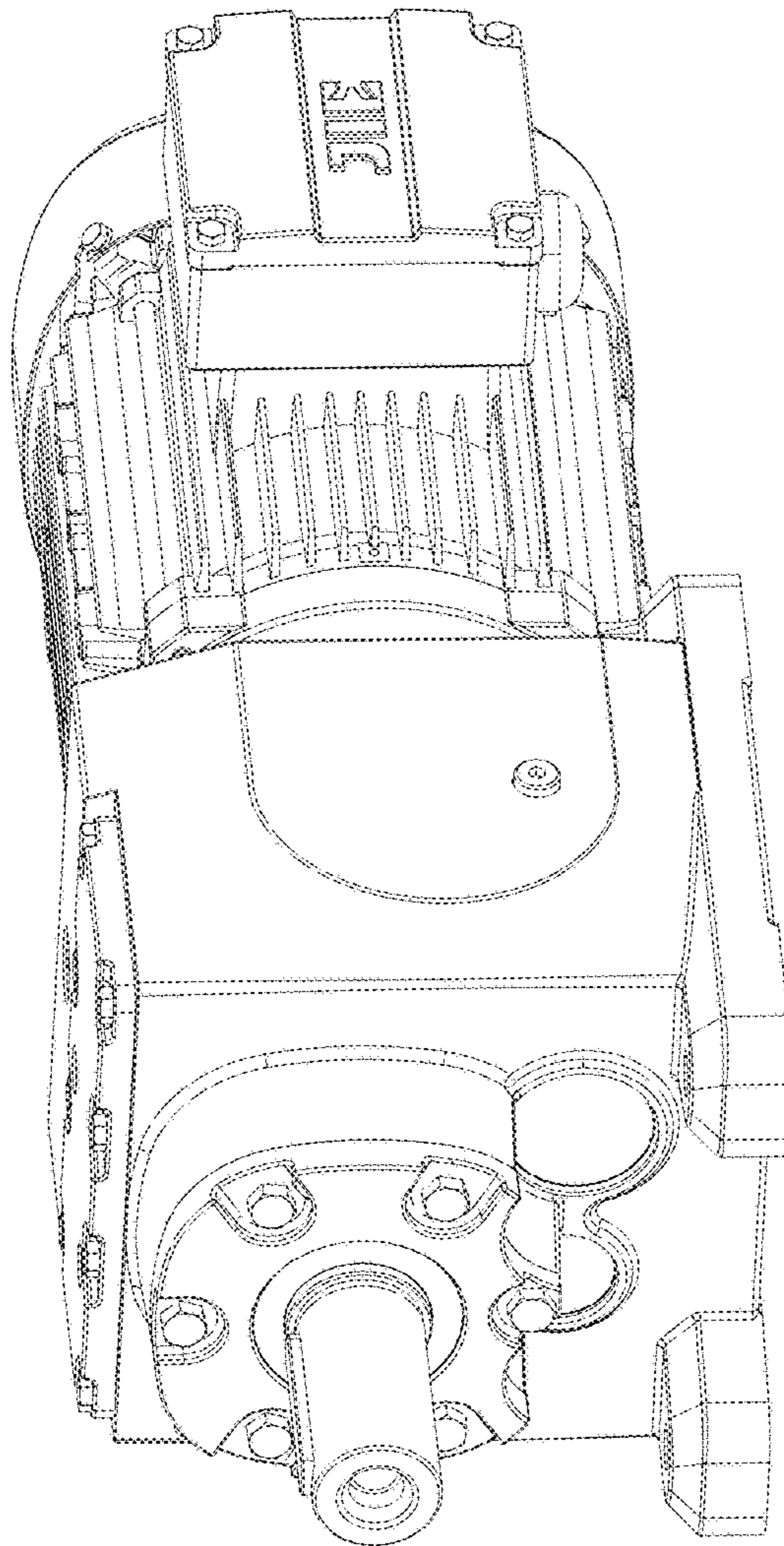


Fig. 1

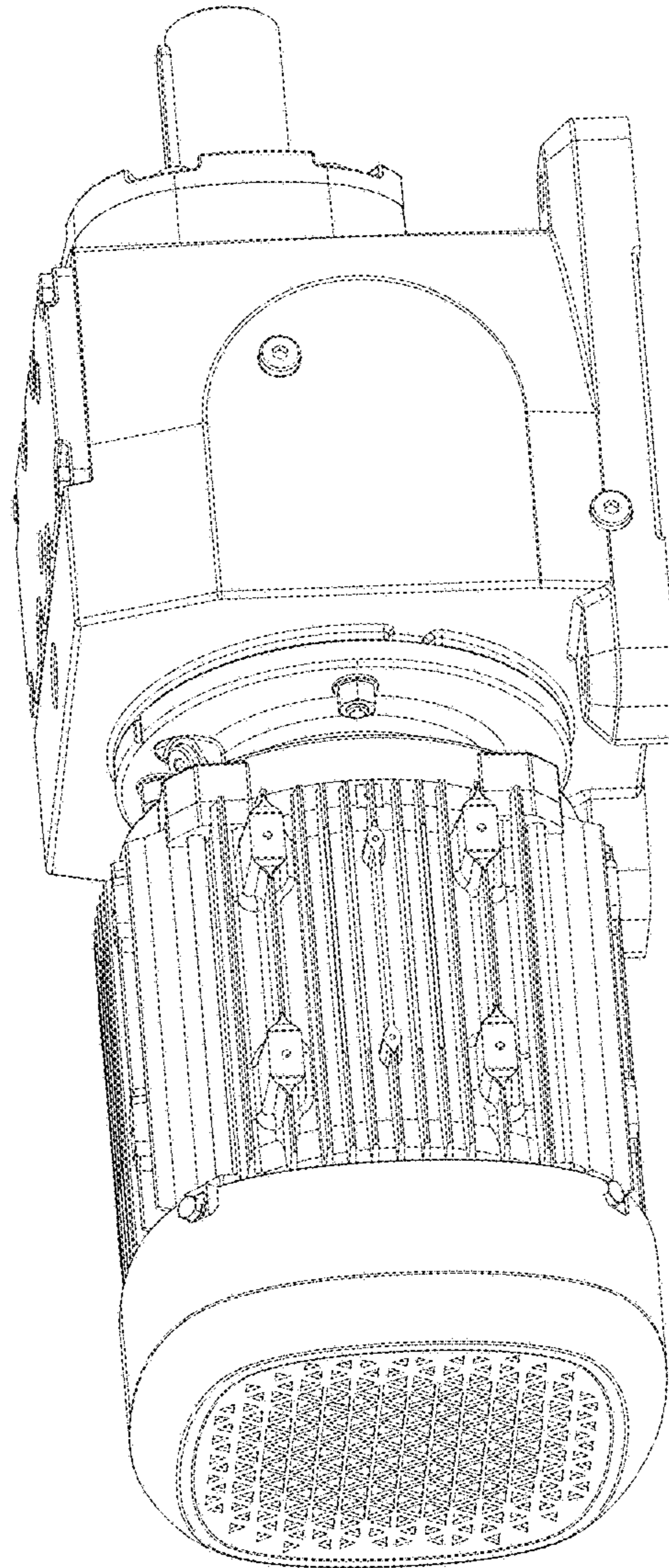


Fig. 2

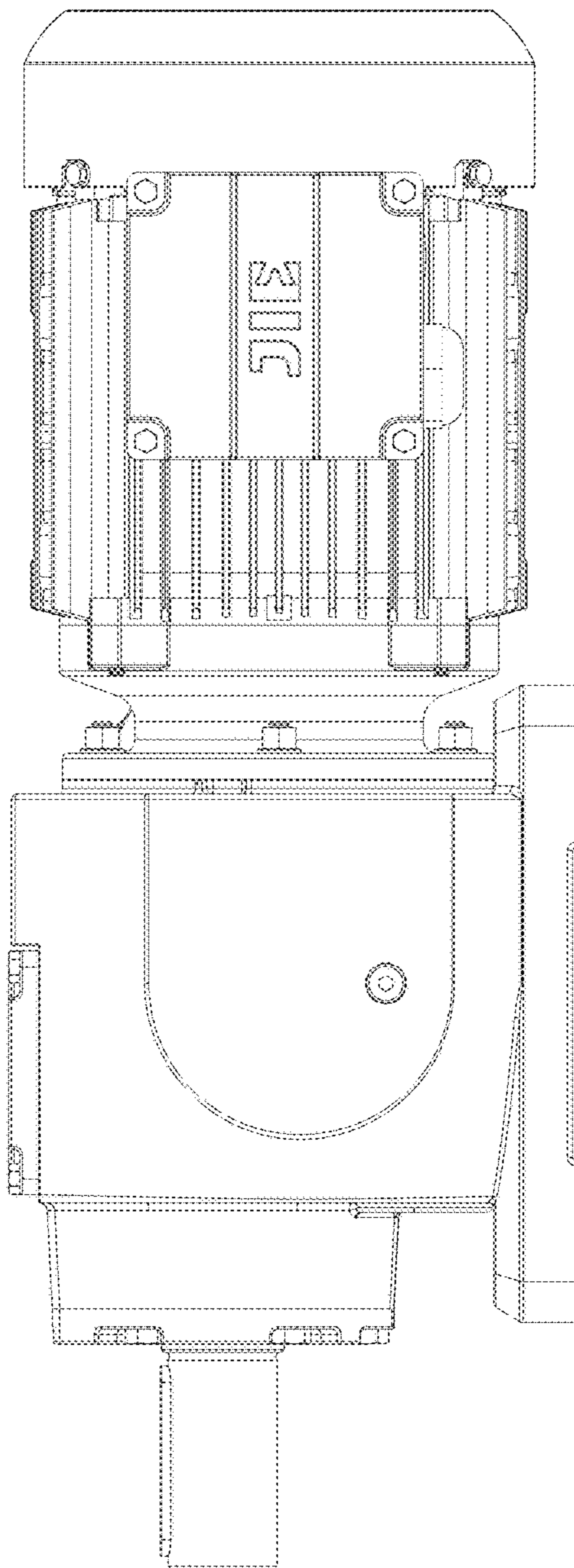


Fig. 3

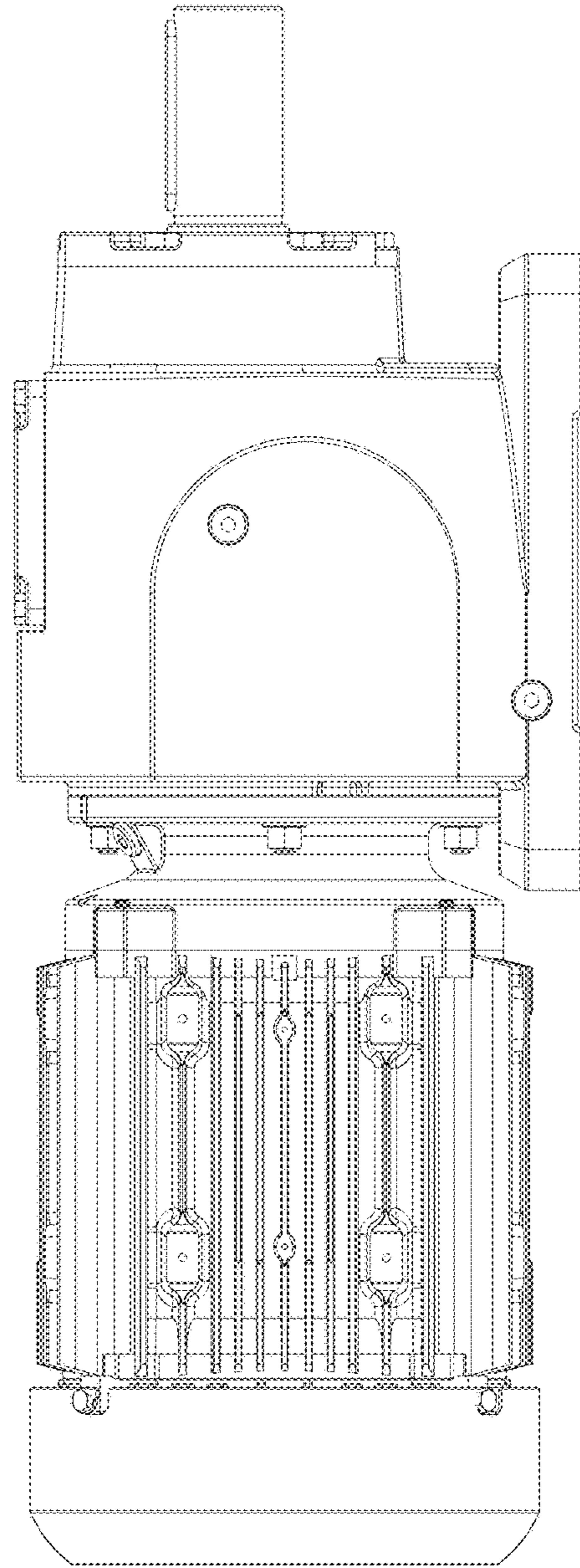


Fig. 4

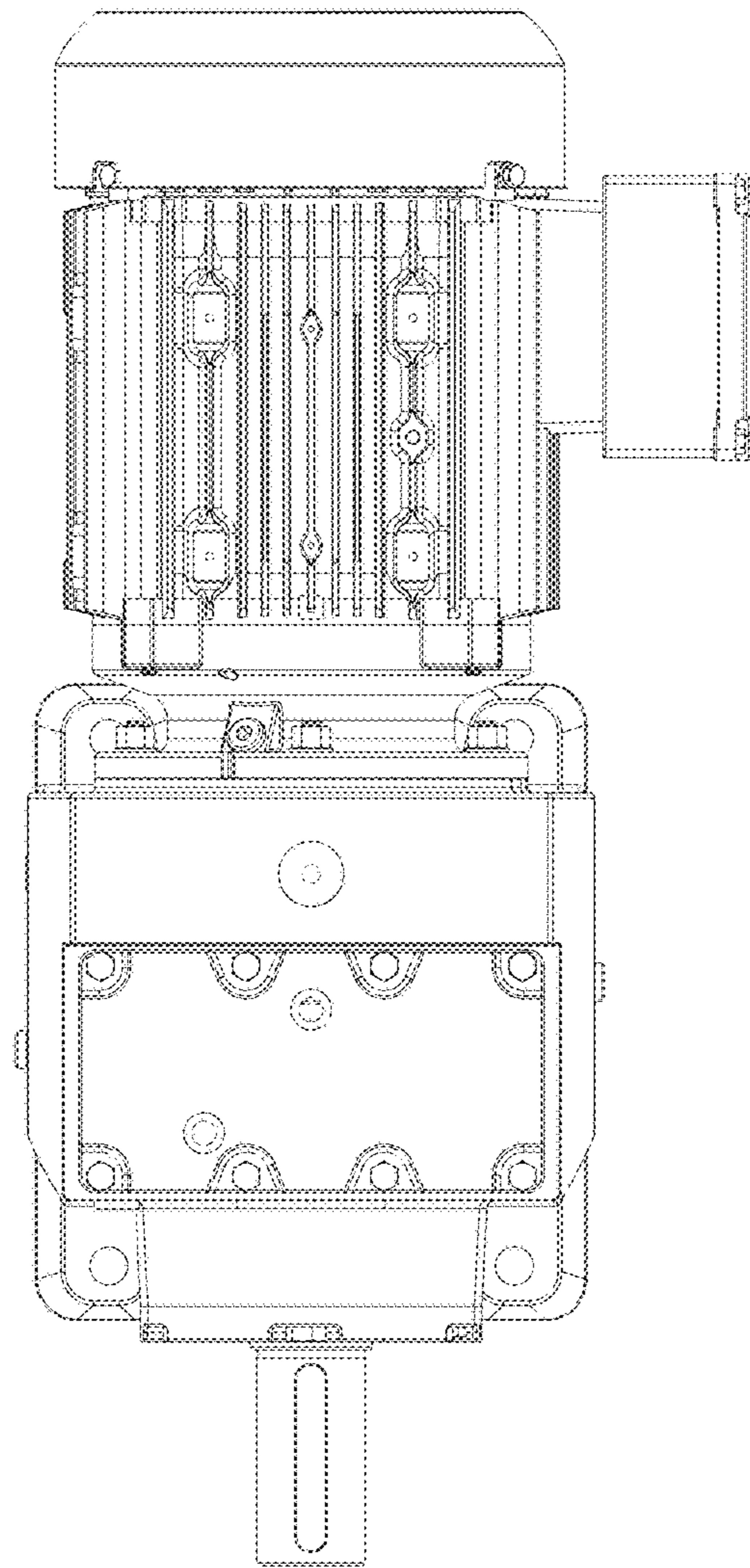


Fig. 5

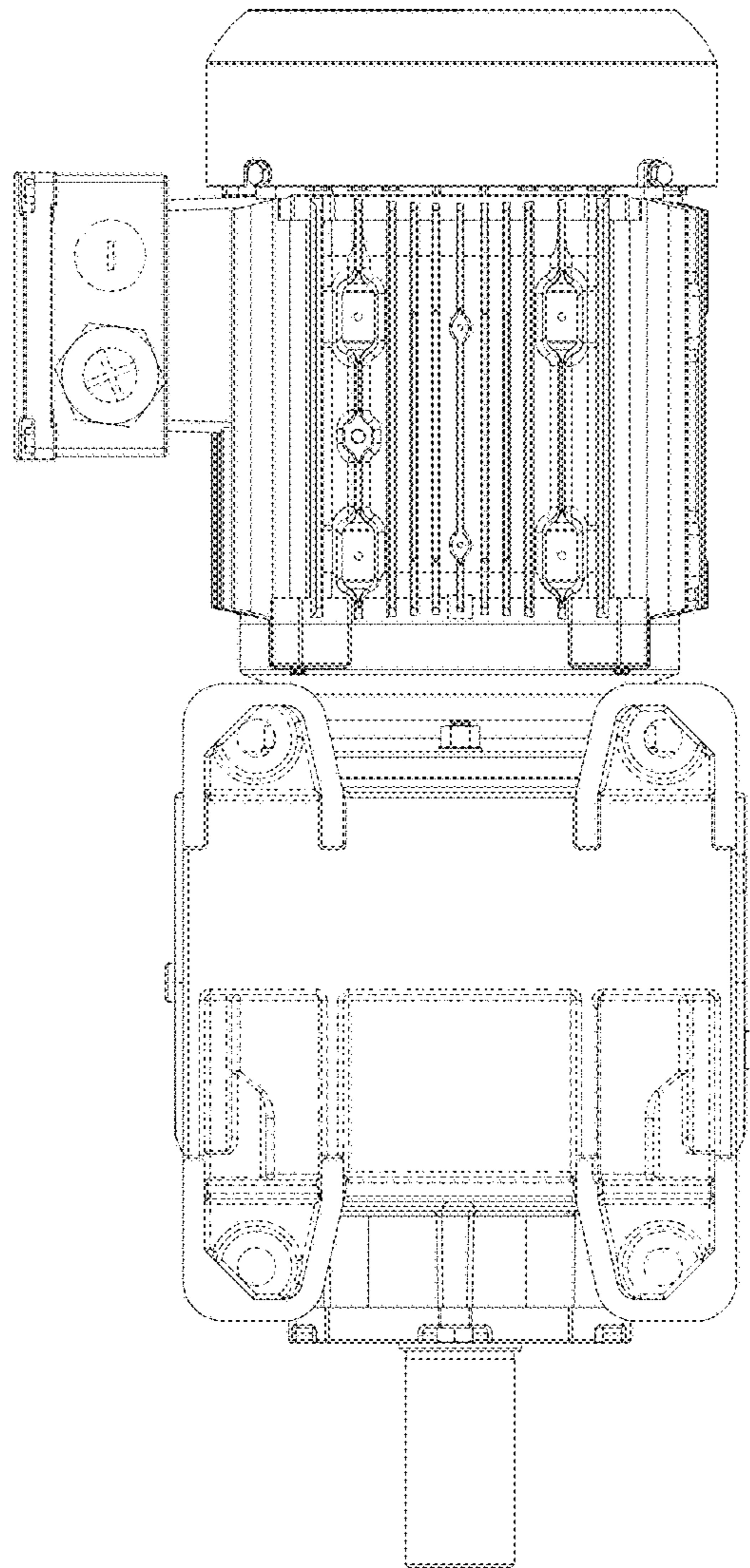


Fig. 6

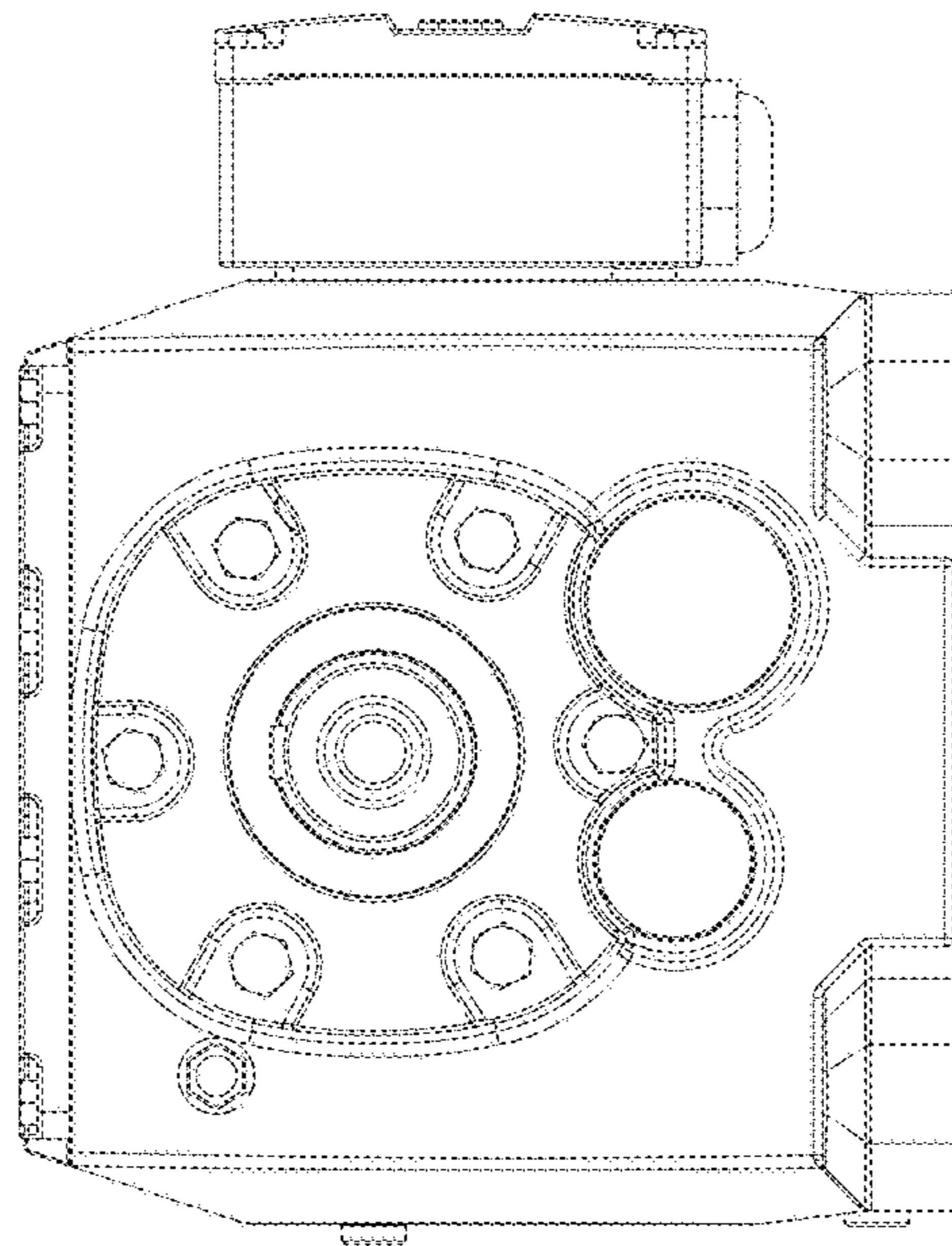


Fig. 7

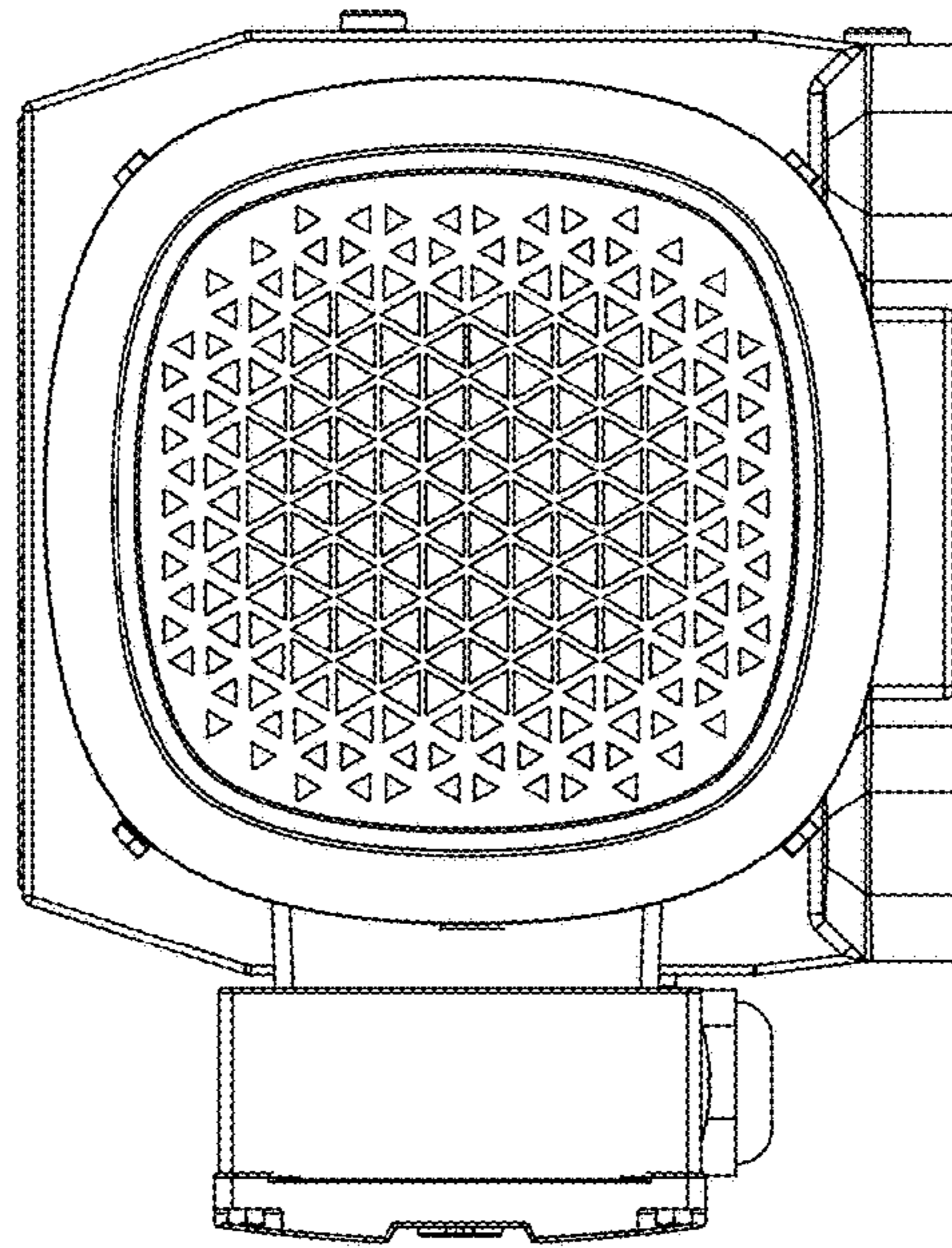


Fig. 8