



US00D857625S

(12) **United States Design Patent** (10) **Patent No.:** **US D857,625 S**
Cao (45) **Date of Patent:** **** Aug. 27, 2019**

(54) **CHARGING STAND FOR SMART WATCH**

(71) Applicant: **Fen Cao**, Guangdong (CN)

(72) Inventor: **Fen Cao**, Guangdong (CN)

(**) Term: **15 Years**

(21) Appl. No.: **29/631,160**

(22) Filed: **Dec. 28, 2017**

(51) **LOC (12) Cl.** **13-02**

(52) **U.S. Cl.**
USPC **D13/108**

(58) **Field of Classification Search**
USPC D13/103, 107-110, 118, 119, 184;
D3/218, 210; D14/251, 253, 356, 432,
D14/434; D28/73
CPC Y02E 60/12; Y02E 60/122; Y02E 60/124;
Y02E 60/50; Y02E 60/10; H04R 1/10;
H04R 1/28; Y02T 90/122; Y02T 90/128;
Y02T 90/163; H02J 7/025; H02J 7/0042;
H02J 7/0044; H02J 7/0045; H02J 7/0003;
H01M 2/1022; H01M 2/1055; H01M
10/44; H01M 10/46; H01M 10/425; B60L
11/182

See application file for complete search history.

(56) **References Cited**

U.S. PATENT DOCUMENTS

D416,536 S *	11/1999	Ross	D13/107
D588,985 S *	3/2009	O'Hern	D13/107
D606,545 S *	12/2009	Salmon	D13/108
D610,084 S *	2/2010	Christopher	D13/107
D642,519 S *	8/2011	Woo	D13/108
D674,336 S *	1/2013	Suzuka	D13/108
D753,057 S *	4/2016	Kubo	D13/108
D759,588 S *	6/2016	De Klein	D13/108
D772,216 S *	11/2016	Lau	D13/108
D772,812 S *	11/2016	Choe	D13/108
D776,053 S *	1/2017	Barnard	D13/108

D789,295 S *	6/2017	Nuk	D13/108
D791,072 S *	7/2017	Hoehn	D13/107
D810,014 S *	2/2018	Haranaka	D13/108
D819,563 S *	6/2018	Wei	D13/108
2013/0027871 A1*	1/2013	Cheng	F16M 13/00 361/679.41
2015/0185773 A1*	7/2015	Vroom	G06F 1/1632 361/679.41
2016/0195898 A1*	7/2016	Lau	H04M 1/04 361/679.41

OTHER PUBLICATIONS

Epuly FitBit Ionic Charging Stand, EPULY, reviewed on Jan. 25, 2018 on amazon.com, retrieved on Nov. 18, 2018, retrieved from the Internet URL: <https://www.amazon.com/Compatible-Charger-Accessories-Charging-Smartwatch/dp/B078PC9TKX>.*

* cited by examiner

Primary Examiner — Jennifer Rivard
Assistant Examiner — Alison M Ofstun

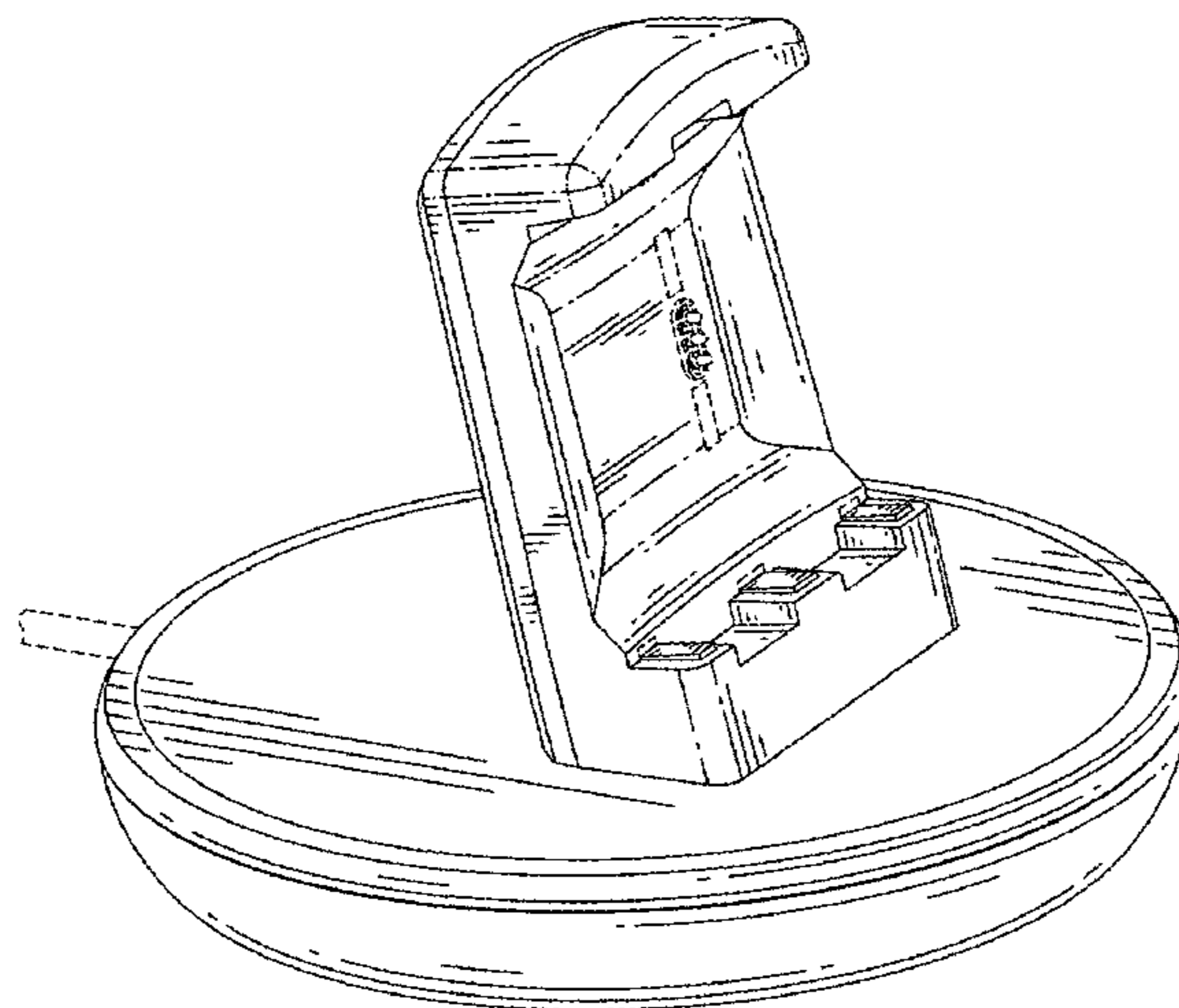
(57) **CLAIM**

The ornamental design for a charging stand for smart watch, as shown and described.

DESCRIPTION

FIG. 1 is a front elevational view of a charging stand for smart watch showing my new design; FIG. 2 is a rear elevational view thereof; FIG. 3 is a left side view thereof; FIG. 4 is a right side view thereof; FIG. 5 is a top plan view thereof; FIG. 6 is a bottom plan view thereof; FIG. 7 is a perspective view thereof; and, FIG. 8 is another perspective view thereof. The broken lines represent the boundaries of the claim as well as parts of the article, none of which form part of the claim.

1 Claim, 8 Drawing Sheets



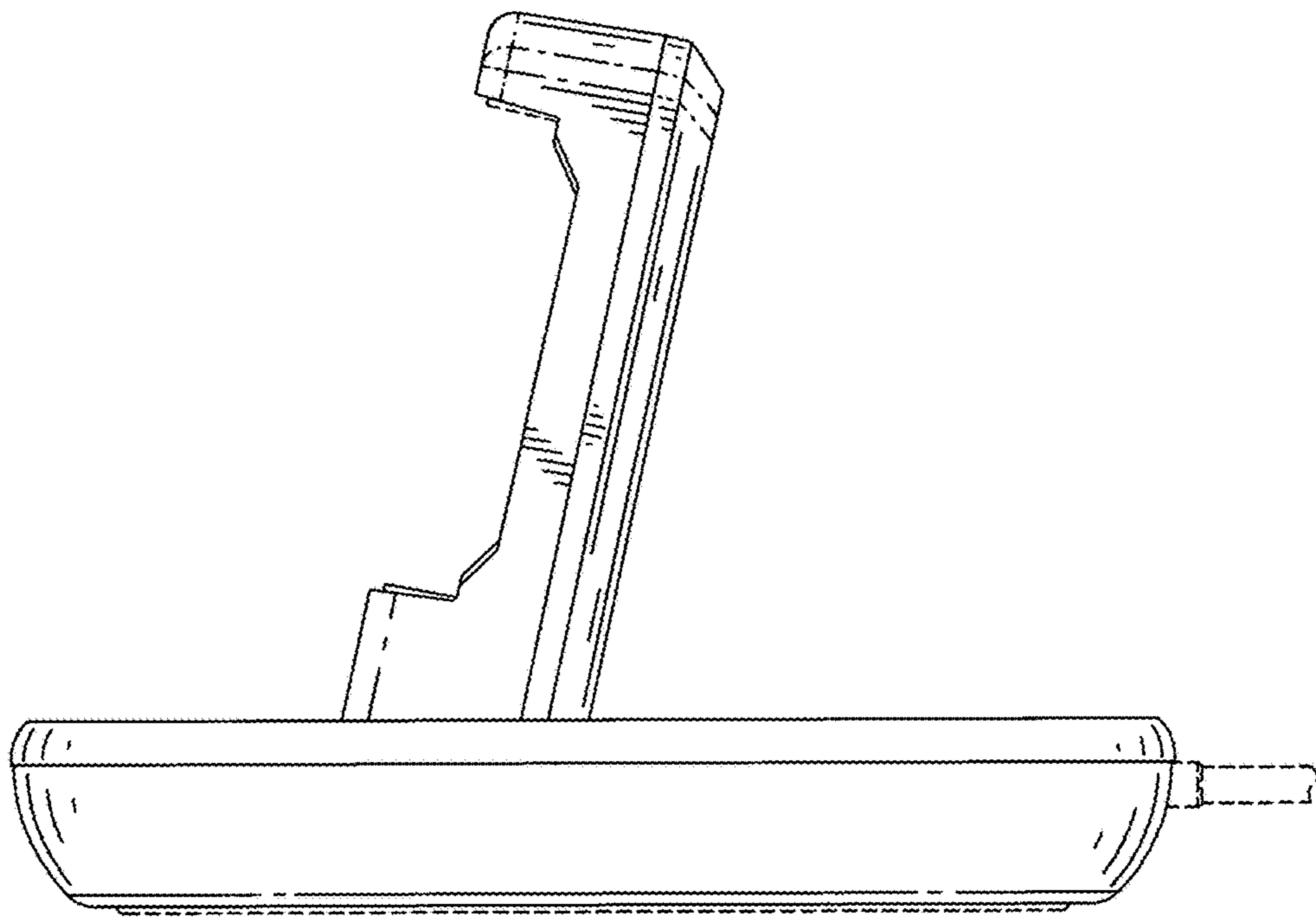


FIG. 1

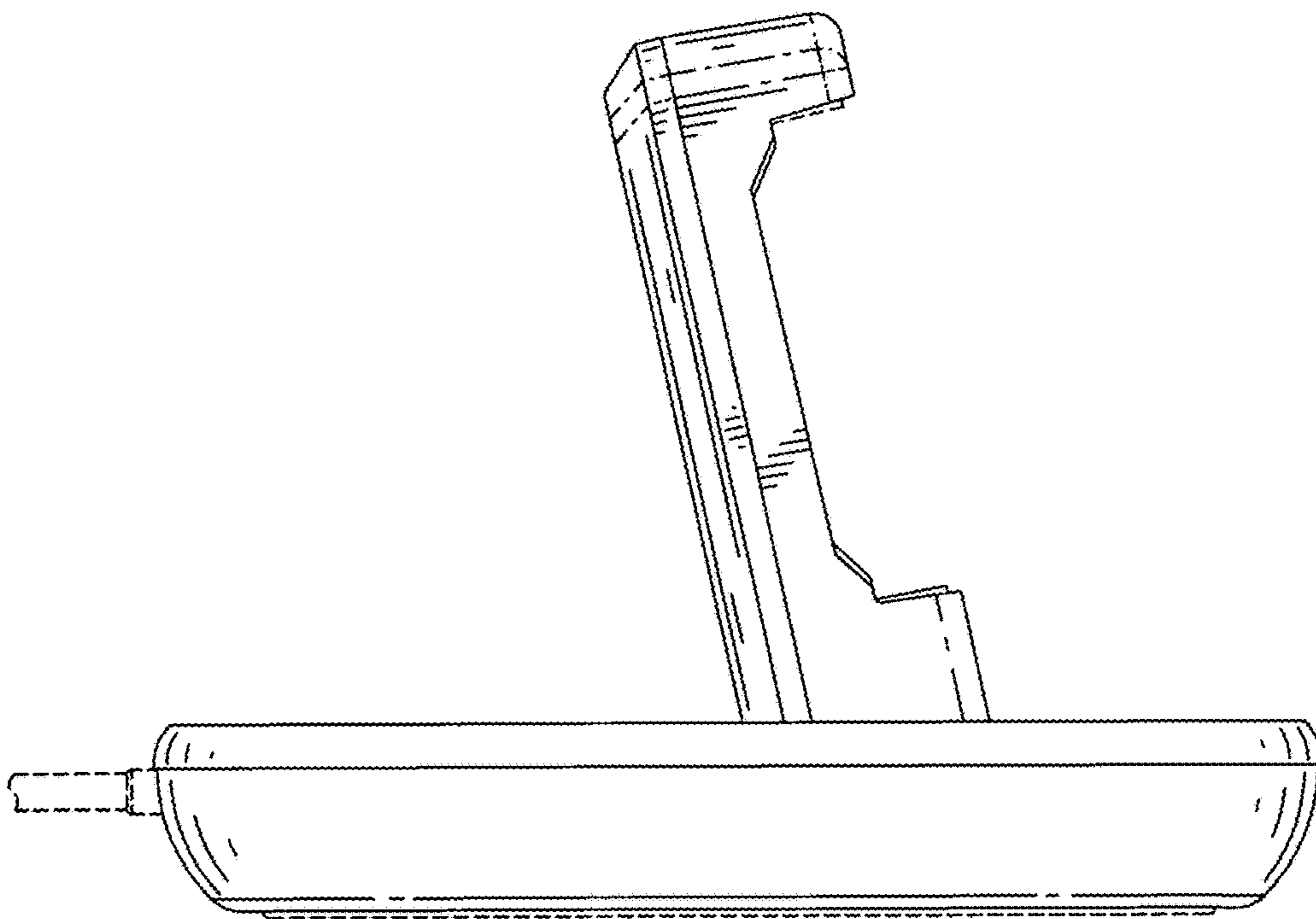


FIG. 2

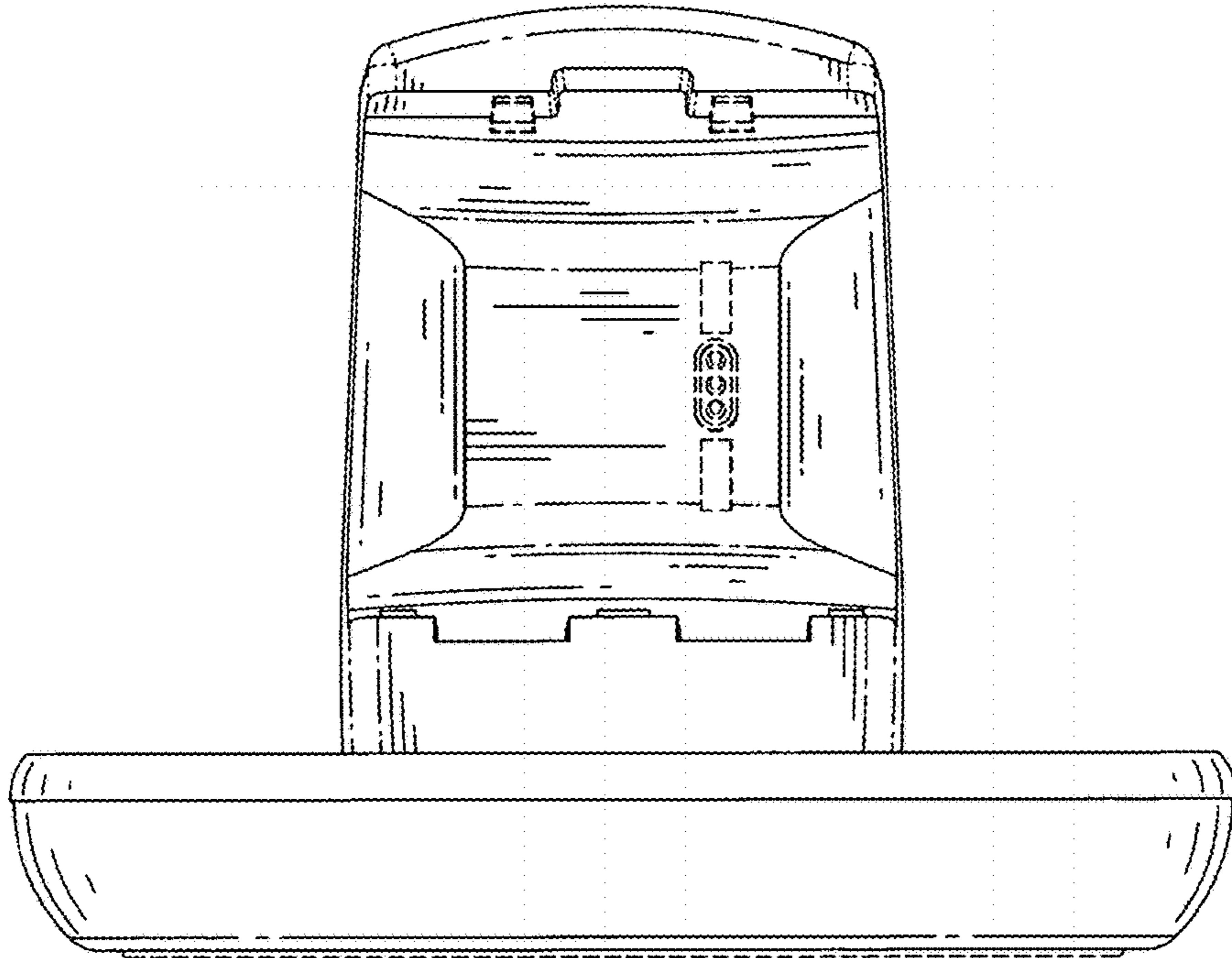


FIG. 3

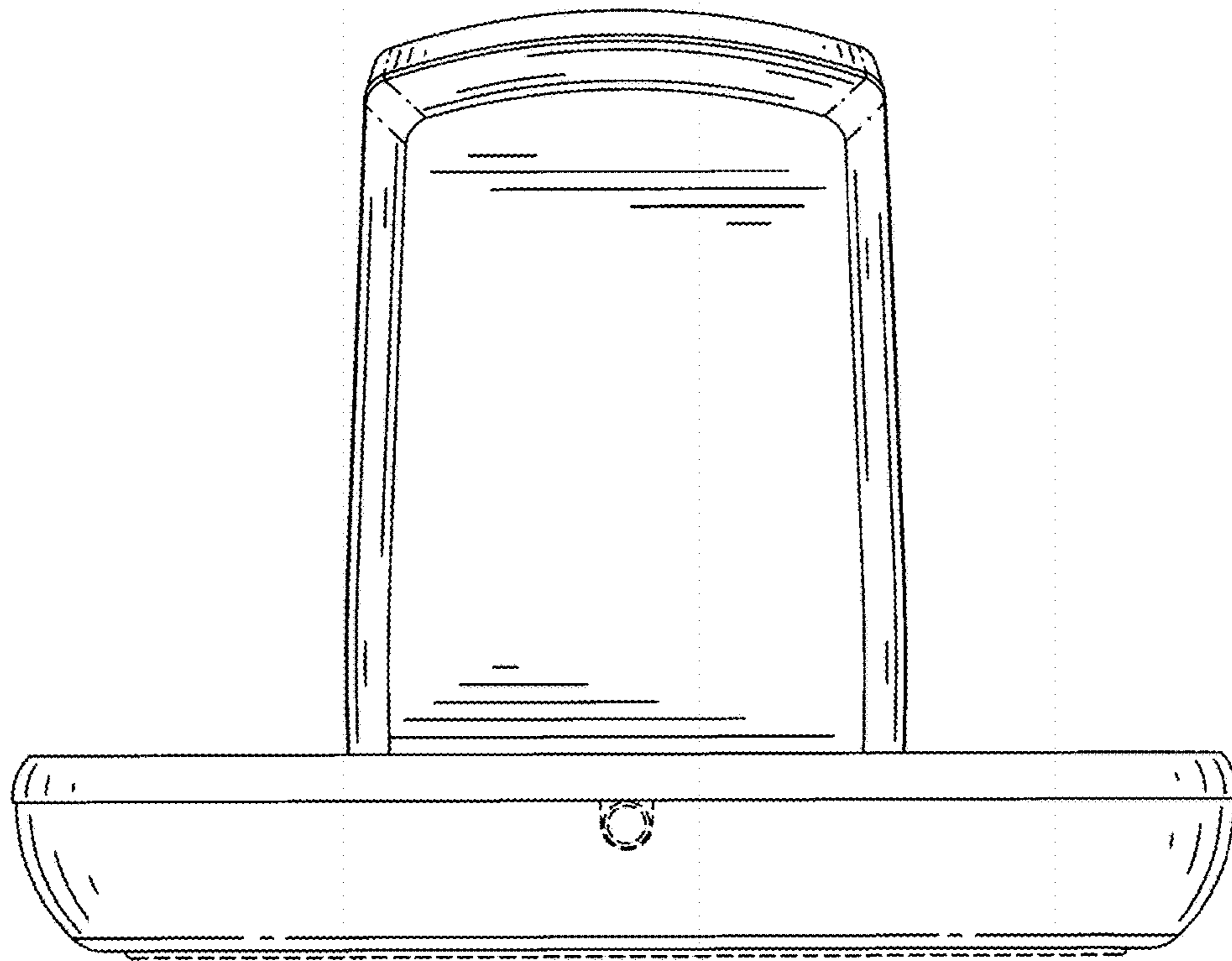


FIG. 4

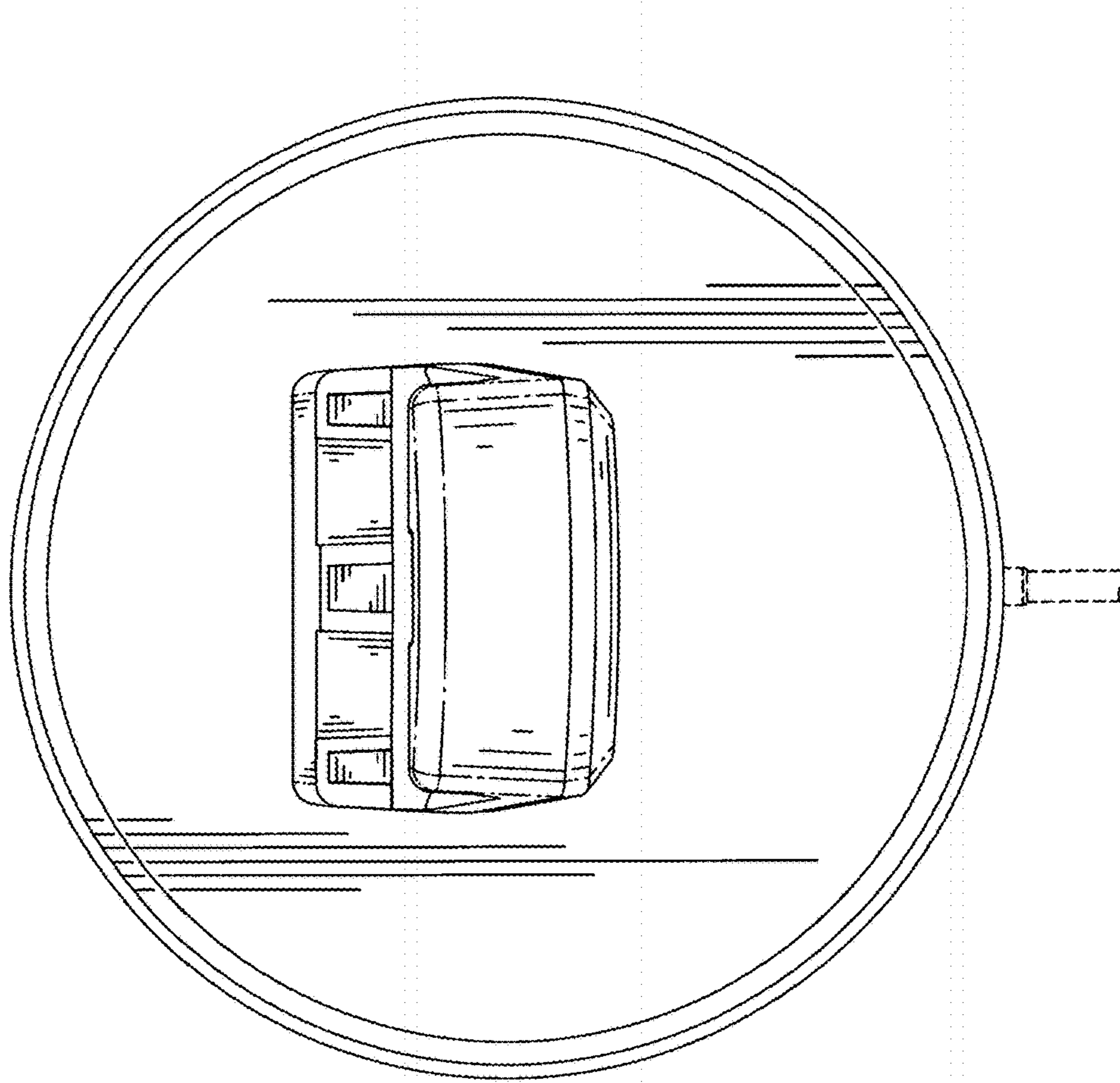


FIG. 5

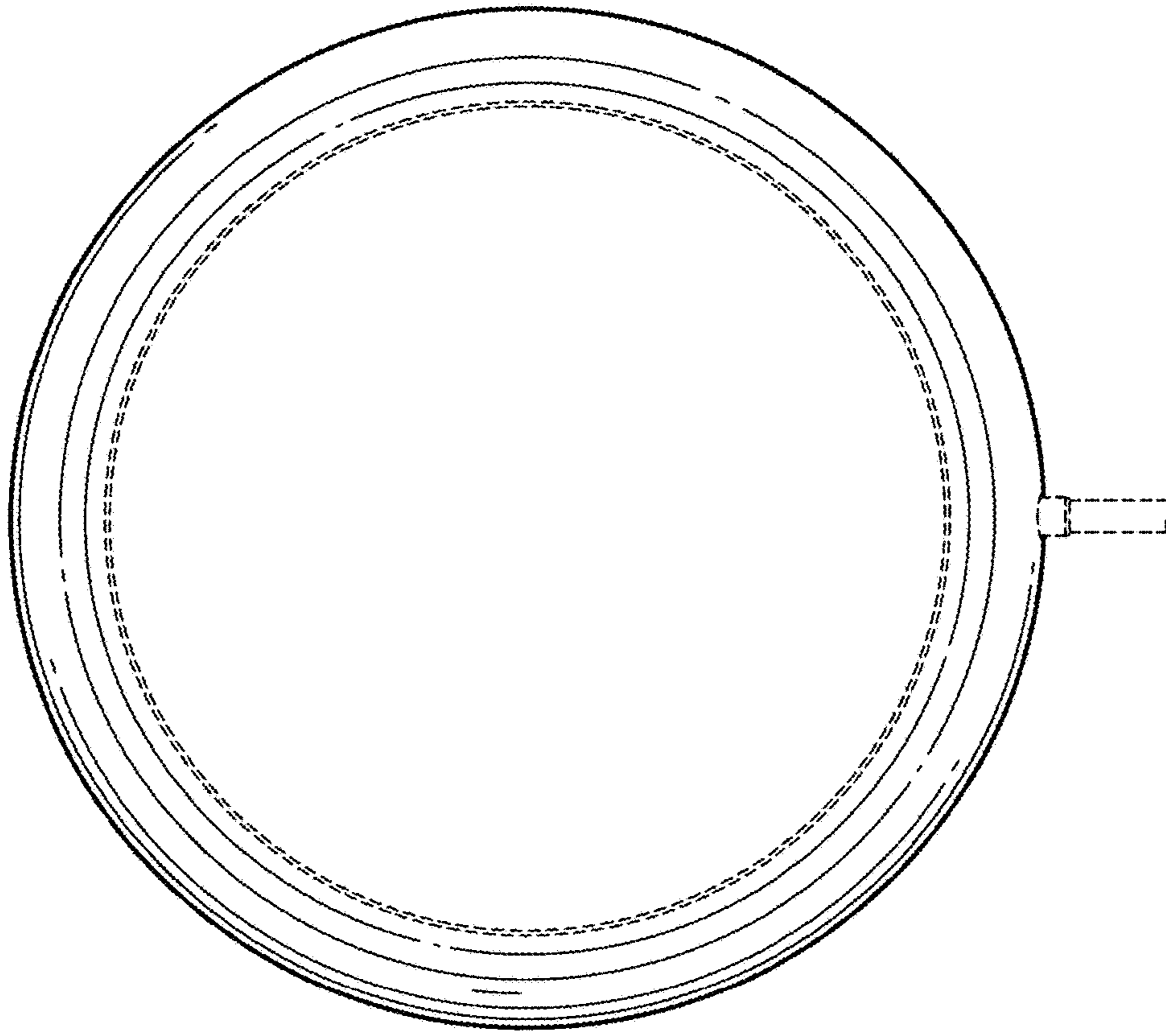


FIG. 6

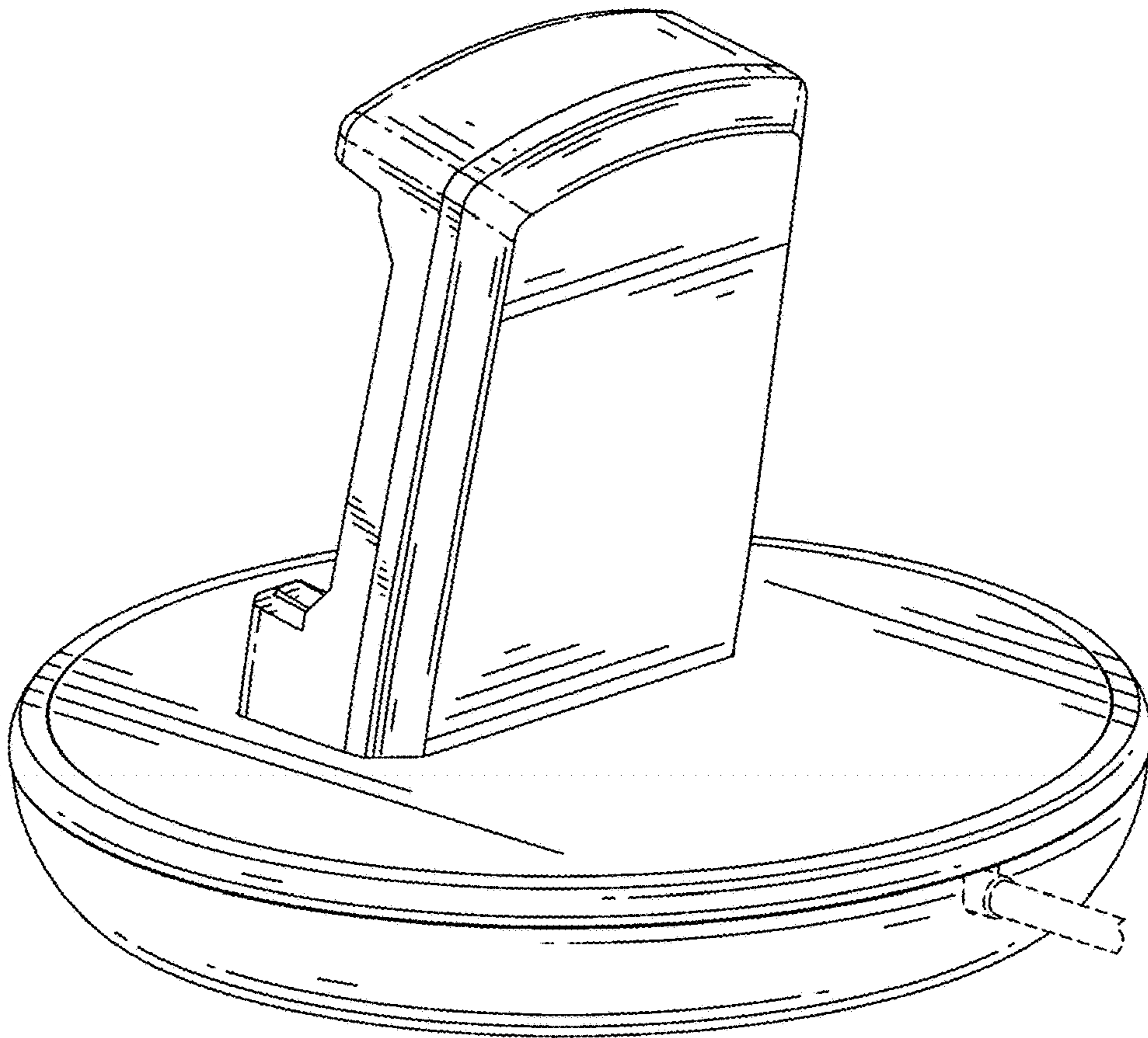


FIG. 7

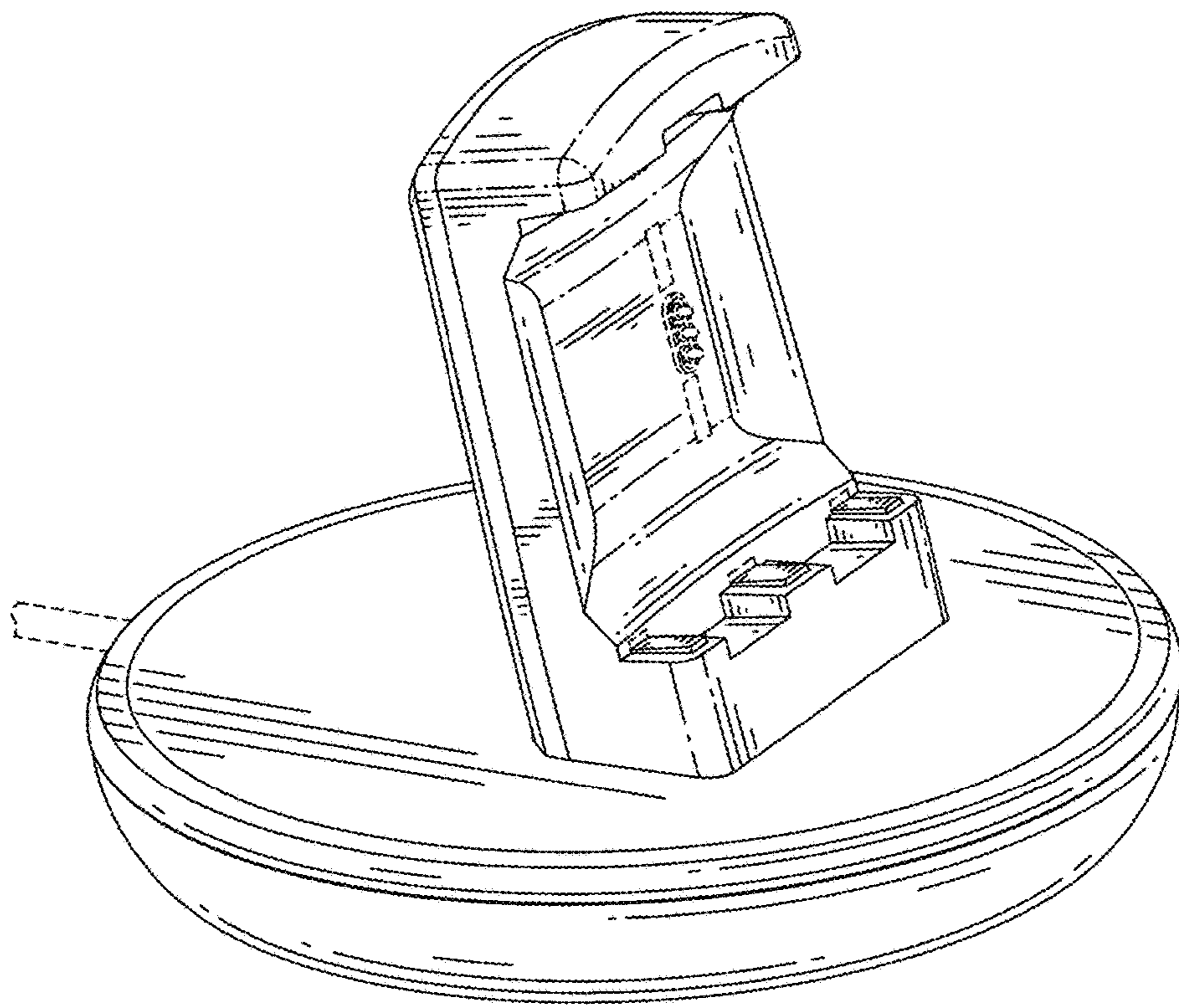


FIG. 8