

US00D857624S

(12) **United States Design Patent** (10) **Patent No.:** **US D857,624 S**
Katov (45) **Date of Patent:** **** Aug. 27, 2019**

(54) **SOLAR PANEL TREE**
(71) Applicant: **“NEXTON DEVELOPMENT SOLUTIONS” EAD**, Sofia (BG)
(72) Inventor: **Georgi Petrov Katov**, Sofia (BG)
(73) Assignee: **Nexton GmbH**, Düsseldorf (DE)
(**) Term: **15 Years**
(21) Appl. No.: **35/502,888**
(22) Filed: **Apr. 10, 2017**
(80) **Hague Agreement Data**
Int. Filing Date: **Apr. 10, 2017**
Int. Reg. No.: **DM/095646**
Int. Reg. Date: **Apr. 10, 2017**
Int. Reg. Pub. Date: **Apr. 28, 2017**
(51) **LOC (12) Cl.** **13-02**
(52) **U.S. Cl.**
USPC **D13/102**
(58) **Field of Classification Search**
USPC ... D10/104.1, 101, 102, 103, 107, 109, 118, D10/119, 184, 199; D14/371, 432, 439, D14/441, 447, 451; D13/101, 102, 103, D13/107, 109, 118, 119, 184, 199; 359/850, 851, 852
CPC . F21S 8/088; F21S 9/032; F21S 9/035; H01L 31/02008; H01L 31/0201; H01L 31/042; H01L 31/04; H01L 31/18; H01L 31/026; H01L 31/048; H01L 31/052; H01L 31/0216; F24J 2002/1019; F24J 2002/1004; F24J 2/07; F24J 2/22; F24J 2/32; F24J 2/523; F24J 2/5232; F24J 2/5237; F24J 2/38; F24J 2/52; Y02E 10/40; Y02E 10/41; Y02E 10/42; E04H 12/20
See application file for complete search history.

(56) **References Cited**
U.S. PATENT DOCUMENTS
D577,332 S * 9/2008 Moore D13/102
D600,200 S * 9/2009 Dimov D13/102

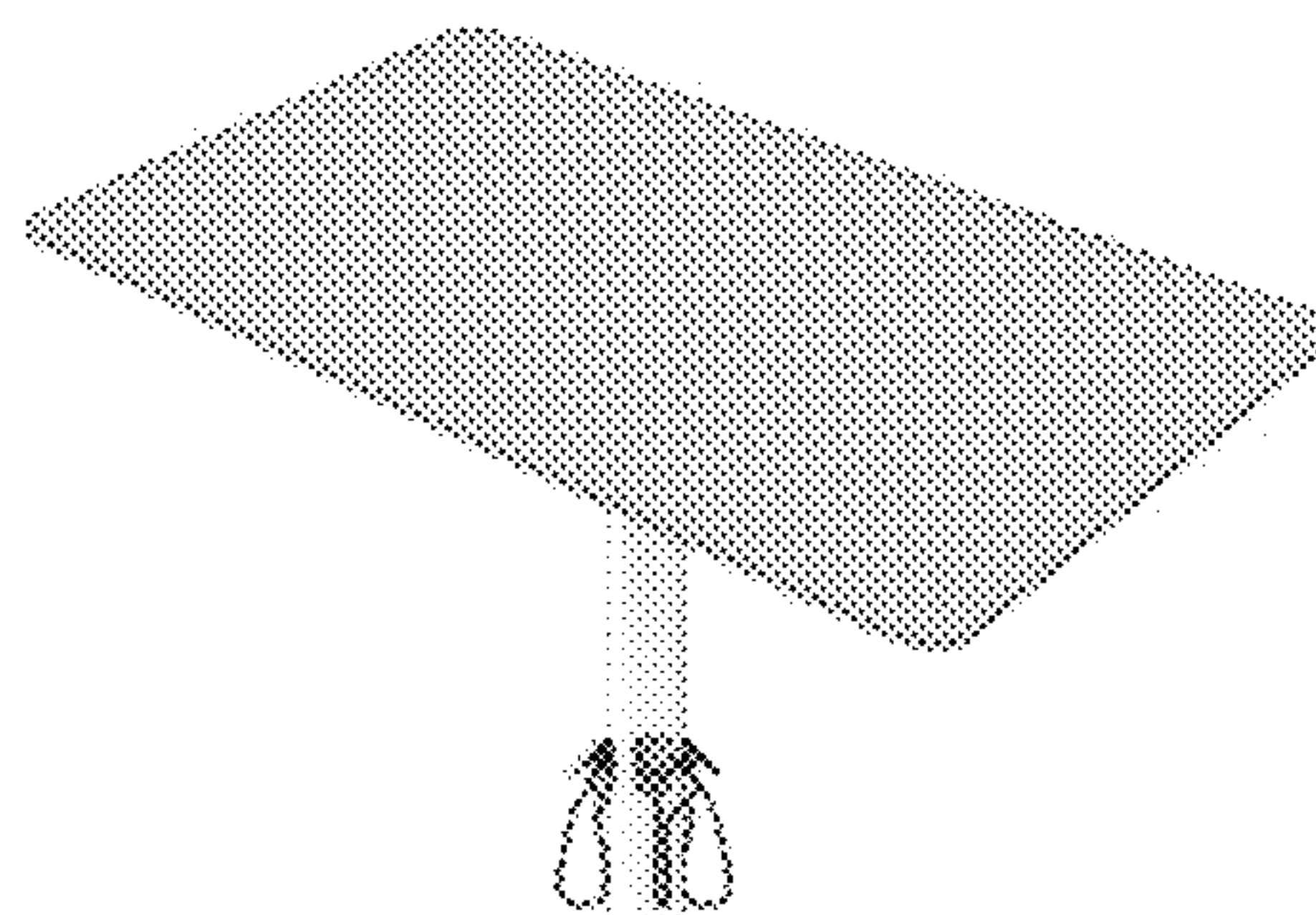
D605,585 S * 12/2009 Conger F24S 25/50 D13/102
D618,166 S * 6/2010 Sanoner D13/102
D649,930 S * 12/2011 Lindor D13/102
D657,738 S * 4/2012 Mackler D13/102
D663,683 S * 7/2012 Fischer D13/102
D667,370 S * 9/2012 Arletti D13/102
D683,304 S * 5/2013 Crider D13/102
D698,308 S * 1/2014 Crider D13/102
D701,828 S * 4/2014 Garrett-Schesch D13/102
D784,253 S * 4/2017 Aiken D13/102
D784,919 S * 4/2017 Aiken D13/102
D785,560 S * 5/2017 Aiken D13/102
D797,657 S * 9/2017 Lakamp D13/102
D802,527 S * 11/2017 Cardoso D13/102
D806,012 S * 12/2017 Lakamp D13/102
D813,800 S * 3/2018 Mori D13/102
D817,862 S * 5/2018 Cameron D13/102
D817,863 S * 5/2018 Cameron D13/102
D820,196 S * 6/2018 Rami D13/102
D825,448 S * 8/2018 Mackler D13/102

* cited by examiner
Primary Examiner — Richard E Chilcot
(74) *Attorney, Agent, or Firm* — Nexsen Pruet, LLC; Michael A. Mann

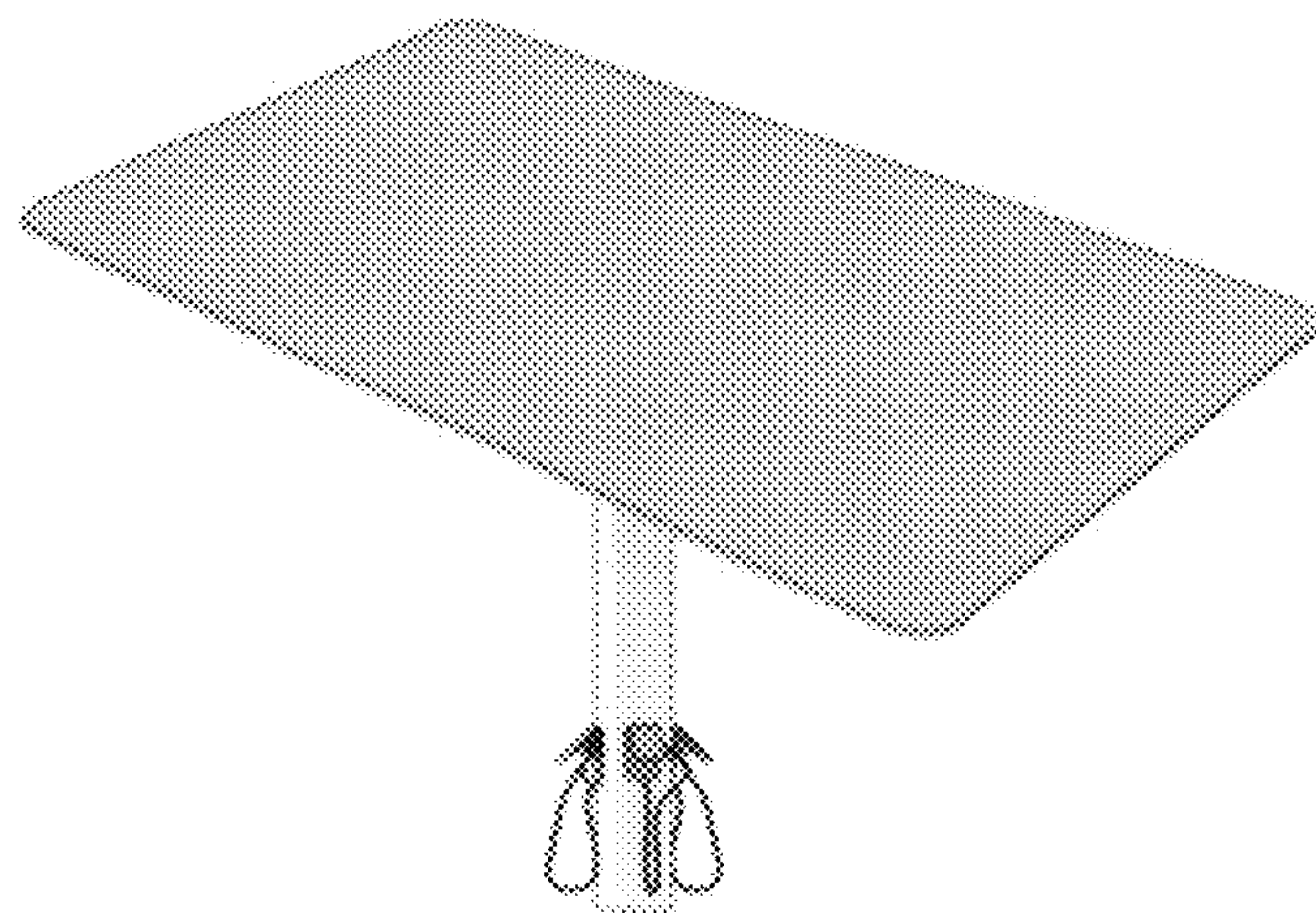
(57) **CLAIM**
The ornamental design for a solar panel tree, as shown and described.

DESCRIPTION
The patent or application file contains at least one drawing executed in color. Copies of this patent or patent application publication with color drawing(s) will be provided by the Office upon request and payment of the necessary fee.
1. Solar panel tree
1.1 : Front
1.2 : Left
1.3 : Back

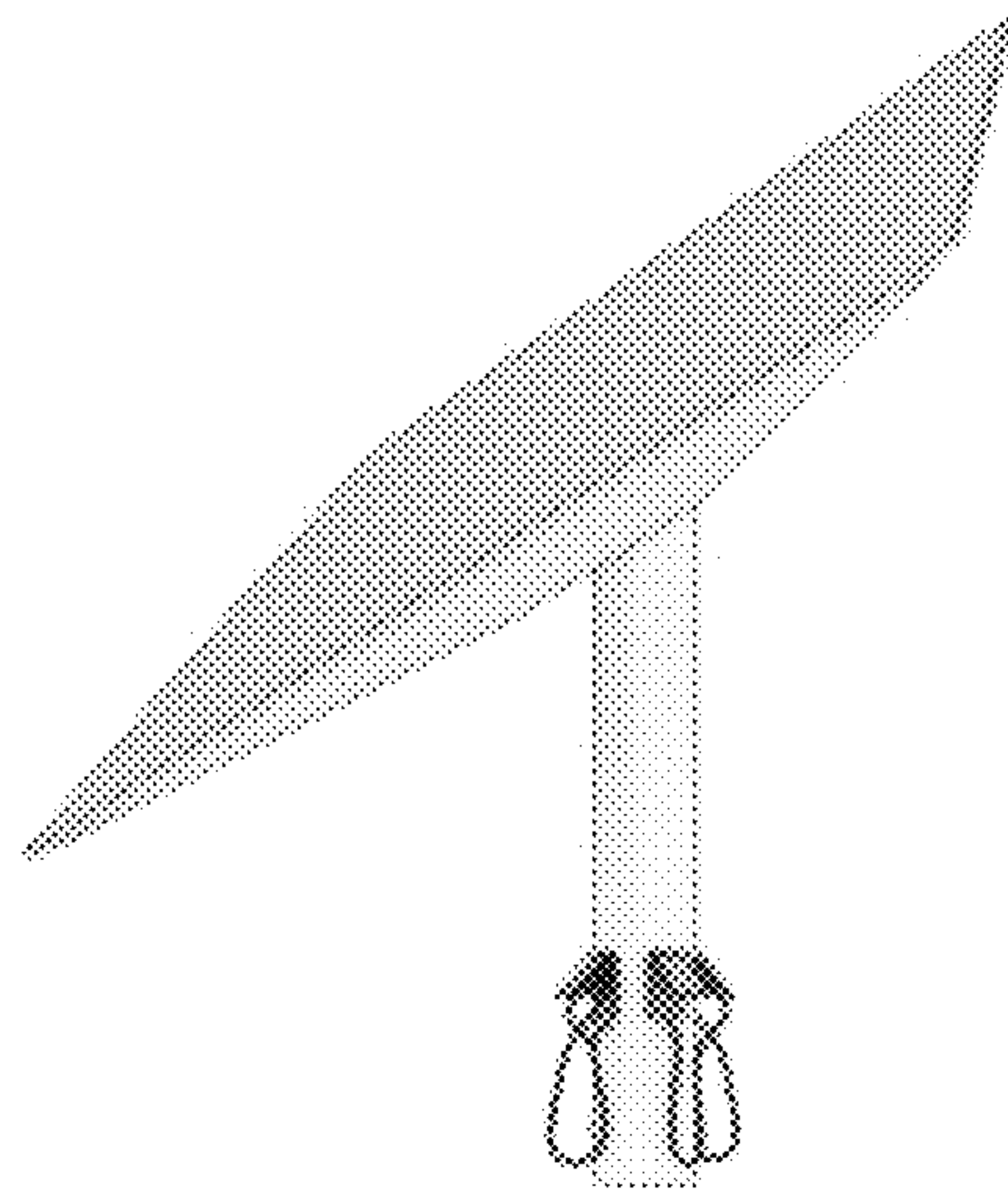
1 Claim, 3 Drawing Sheets
(3 of 3 Drawing Sheet(s) Filed in Color)



1.1



1.2



1.3

