



US00D857619S

(12) **United States Design Patent**
Ishizaka

(10) **Patent No.:** **US D857,619 S**

(45) **Date of Patent:** **** Aug. 27, 2019**

(54) **AUTOMOBILE TIRE**

(71) Applicant: **THE YOKOHAMA RUBBER CO., LTD.**, Minato-ku, Tokyo (JP)

(72) Inventor: **Takahide Ishizaka**, Hiratsuka (JP)

(73) Assignee: **THE YOKOHAMA RUBBER CO., LTD.**, Minato-ku, Tokyo (JP)

(**) Term: **15 Years**

(21) Appl. No.: **29/647,690**

(22) Filed: **May 15, 2018**

(51) **LOC (12) Cl.** **12-15**

(52) **U.S. Cl.**
USPC **D12/549**

(58) **Field of Classification Search**
USPC D12/533-567
CPC B60C 11/0302; B60C 2011/0358; B60C 2011/0374; B60C 2011/0386; B60C 2011/0388

See application file for complete search history.

(56) **References Cited**

U.S. PATENT DOCUMENTS

D304,434 S *	11/1989	Schuller	D12/561
D355,155 S *	2/1995	Breny	D12/555
D462,652 S *	9/2002	Lopez	D12/588
D464,612 S *	10/2002	Hutz	D12/567
D529,862 S *	10/2006	Miller	D12/574
D541,734 S *	5/2007	Yoshiya	D12/539
D597,477 S *	8/2009	Ogawa	D12/559

D648,259 S *	11/2011	Oki	D12/566
D761,718 S *	7/2016	Renis	D12/563
D794,543 S *	8/2017	Seo	D12/533
D818,423 S *	5/2018	Yasuda	D12/549

* cited by examiner

Primary Examiner — George D. Kirschbaum

Assistant Examiner — Joseph J Kukella

(74) *Attorney, Agent, or Firm* — Banner & Witcoff, Ltd.

(57) **CLAIM**

The ornamental design for an automobile tire, as shown and described.

DESCRIPTION

FIG. 1 is a perspective view of an automobile tire showing my new design;

FIG. 2 is a front view thereof;

FIG. 3 is a rear view thereof;

FIG. 4 is a right side view thereof;

FIG. 5 is a left side view thereof;

FIG. 6 is a top view thereof;

FIG. 7 is a bottom view thereof;

FIG. 8 is an enlarged perspective view thereof taken at a portion defined by lines 8-8 shown in FIG. 1;

FIG. 9 is an enlarged view thereof taken at a portion defined by lines 9-9 shown in FIG. 2; and,

FIG. 10 is an end view thereof taken at a portion defined by lines 10-10 shown in FIG. 9.

In the drawings, the broken lines depict environmental subject matter only and form no part of the claimed design.

The dot and dashed lines represents a boundary between the claimed portion and the non-claimed portion.

1 Claim, 10 Drawing Sheets

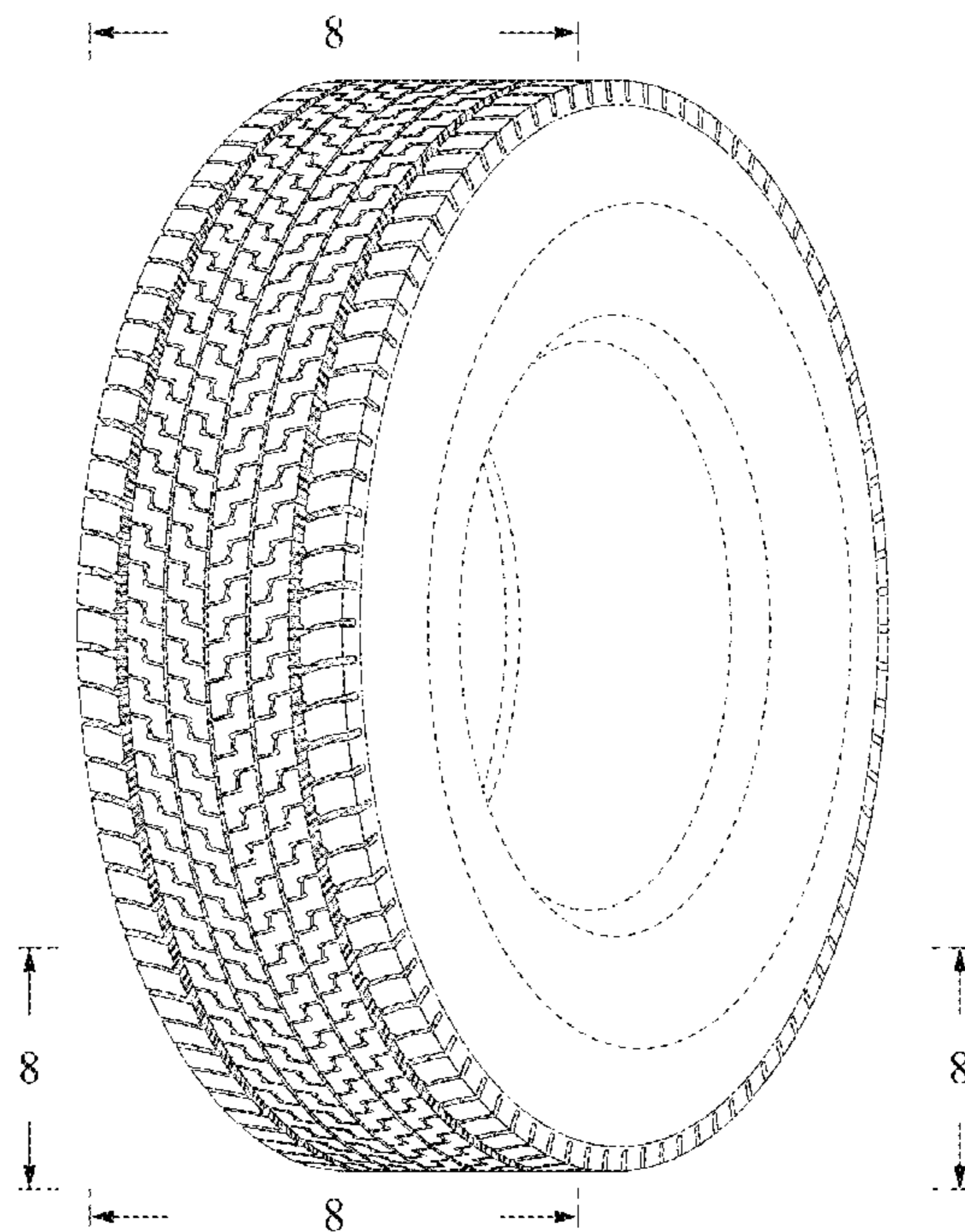


FIG. 1

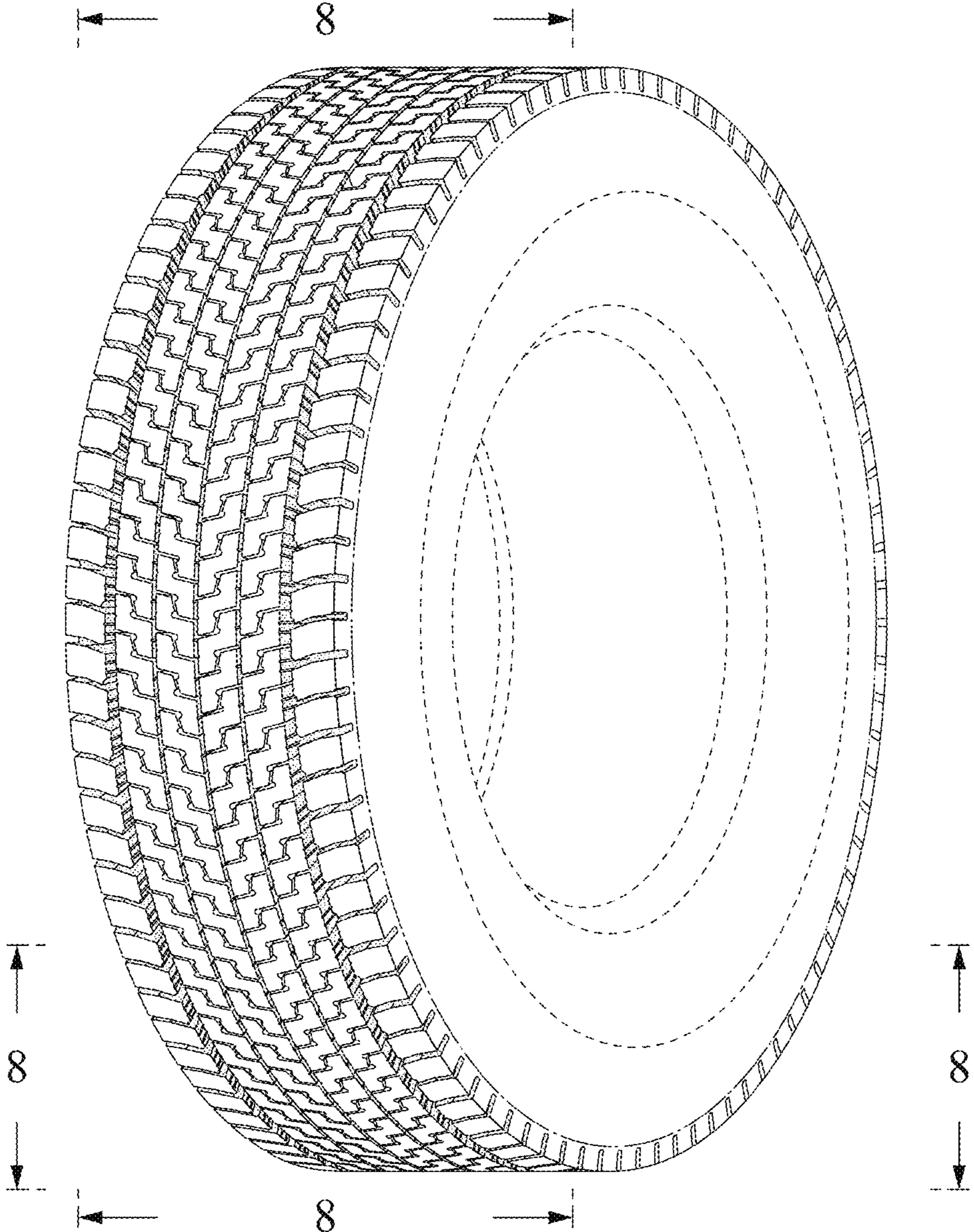


FIG. 2

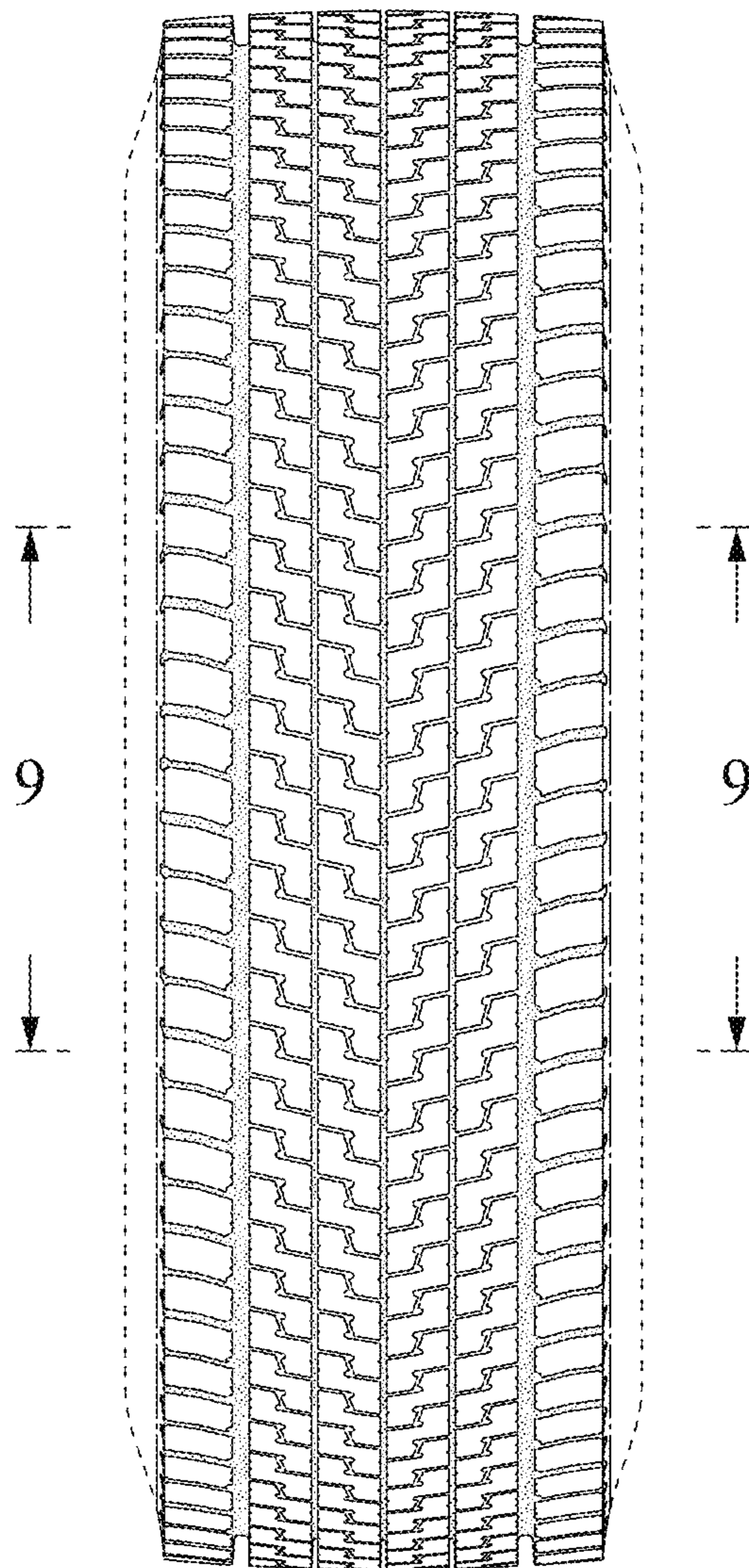


FIG. 3

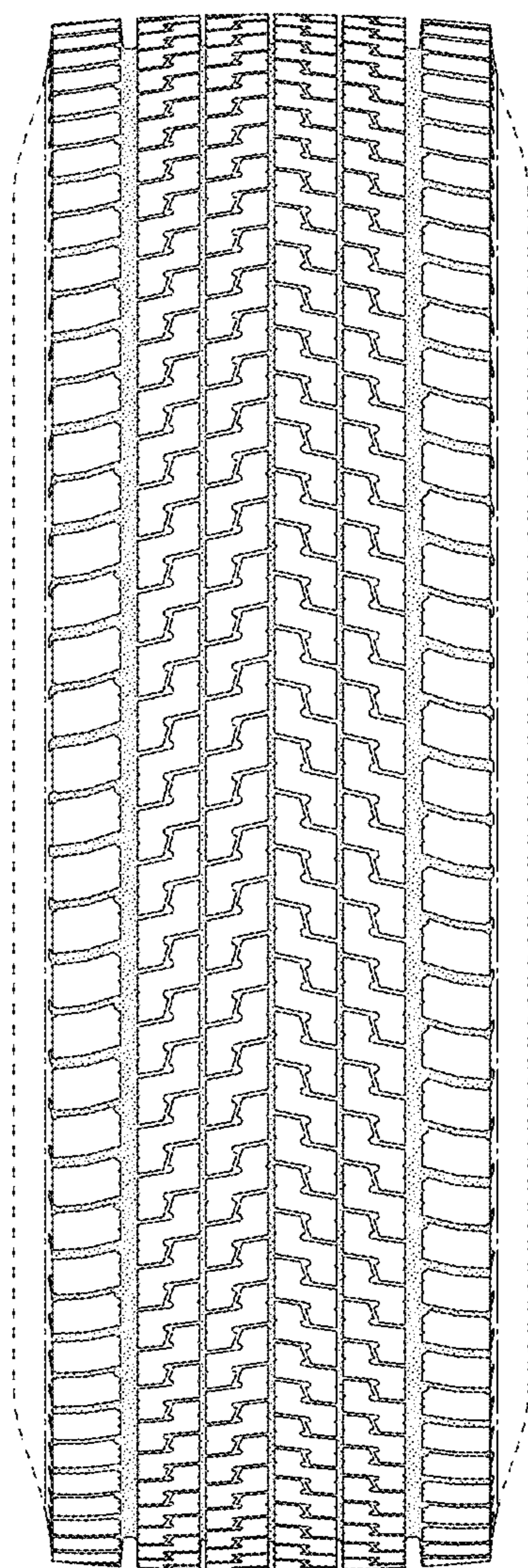


FIG. 4

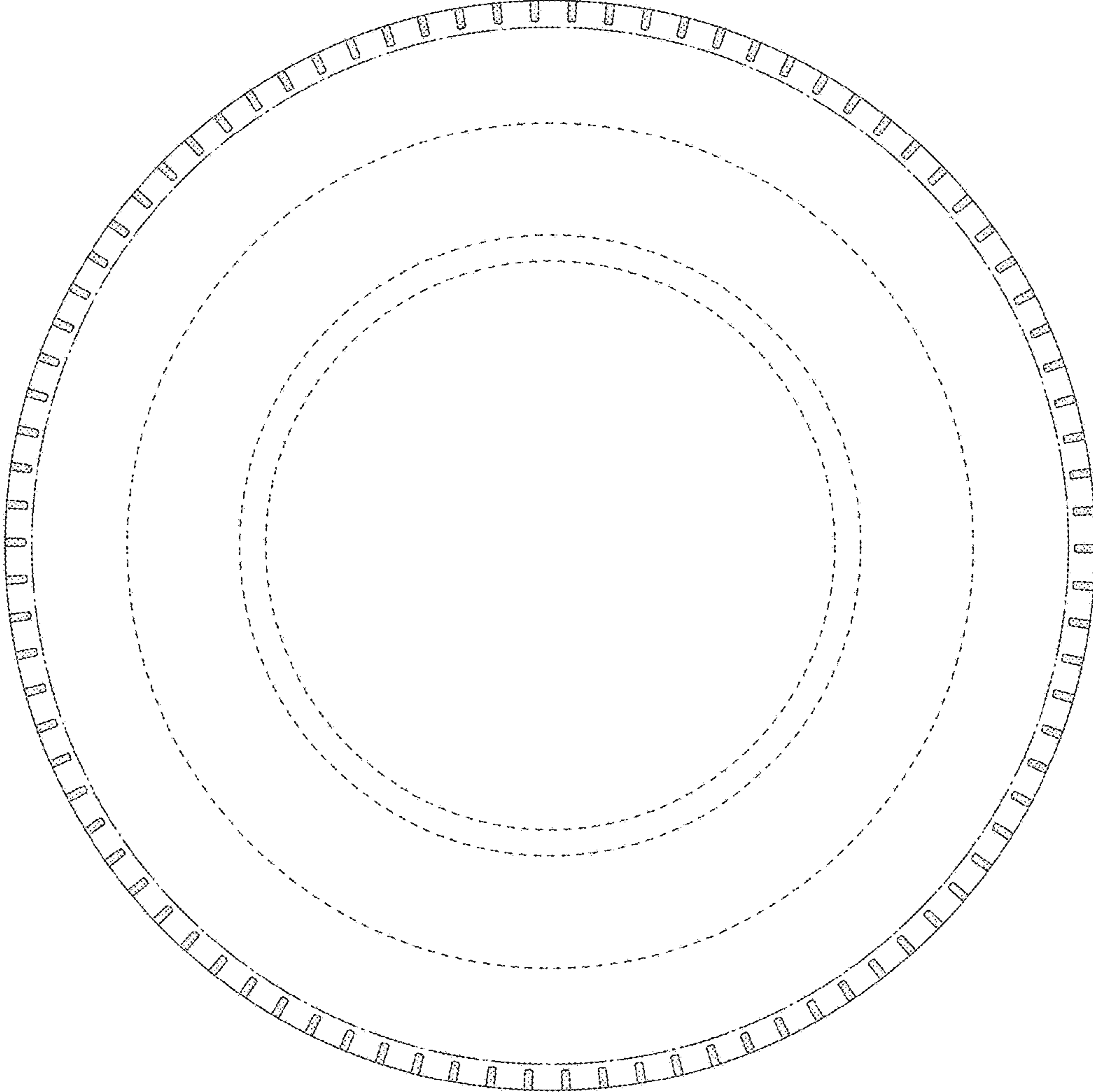


FIG. 5

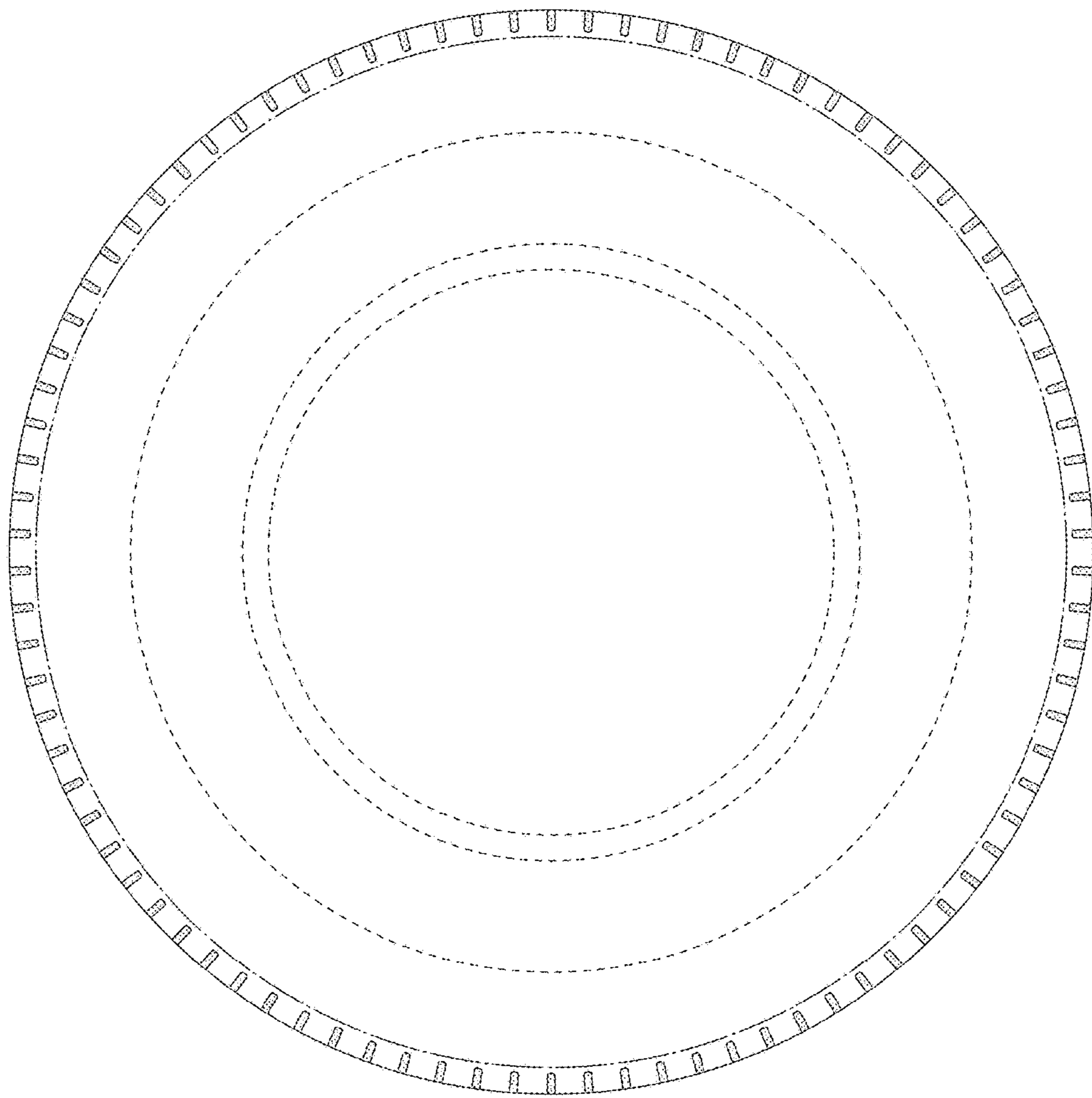


FIG. 6

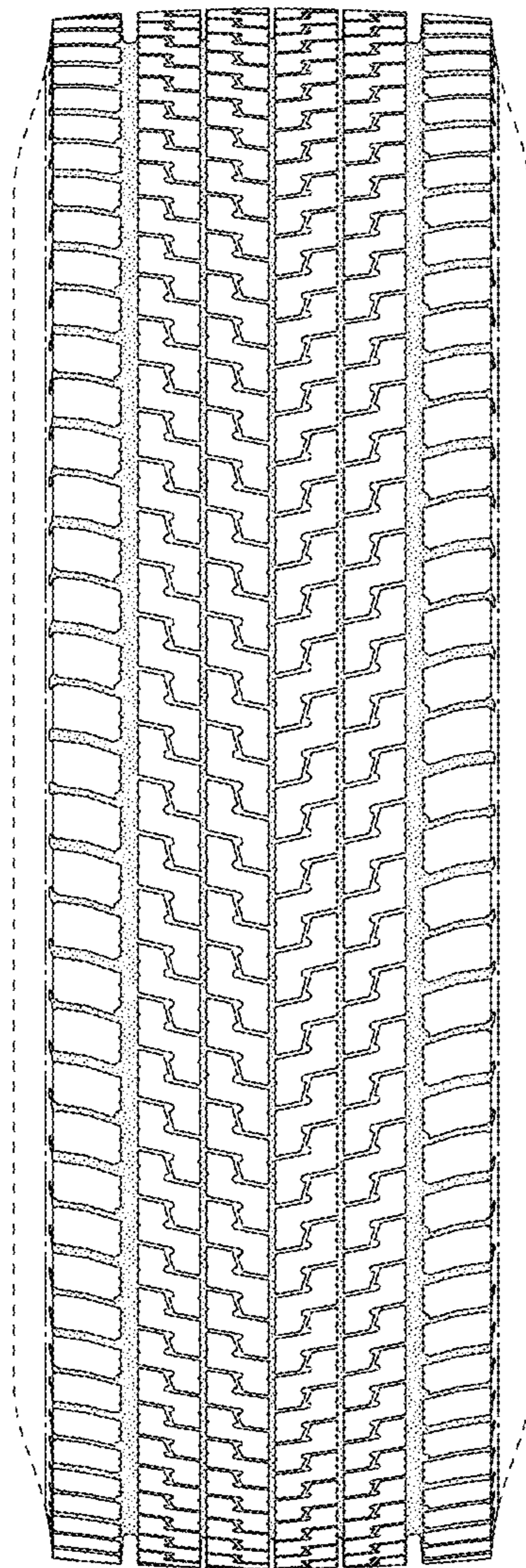


FIG. 7

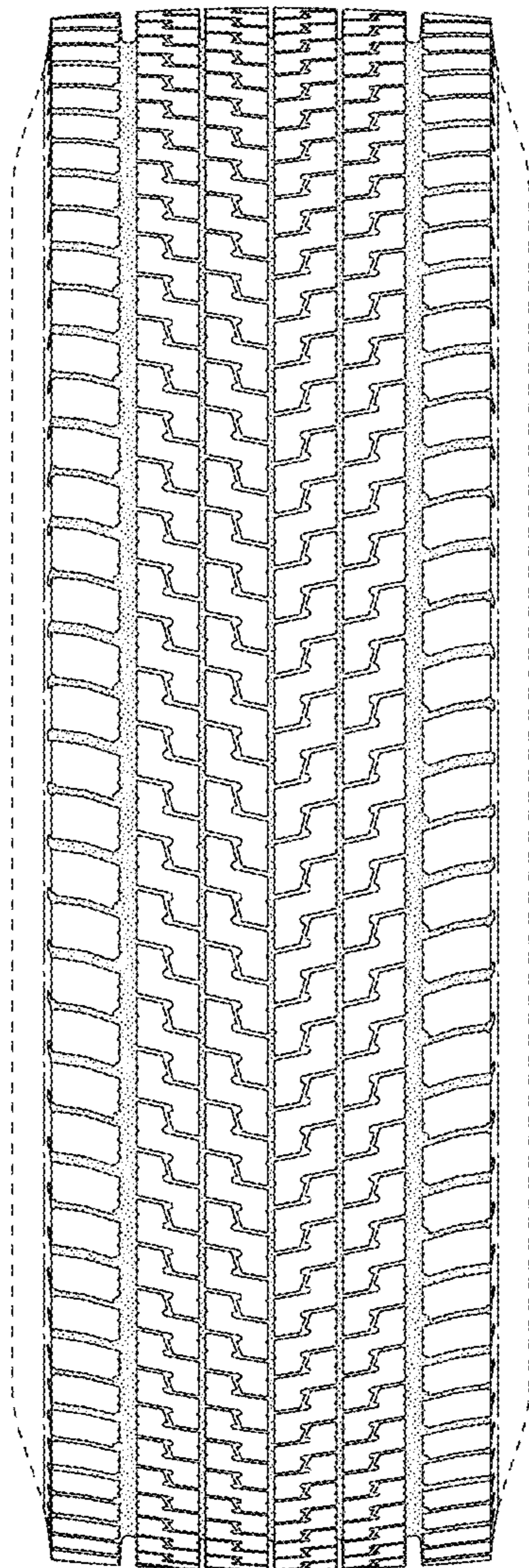


FIG. 8

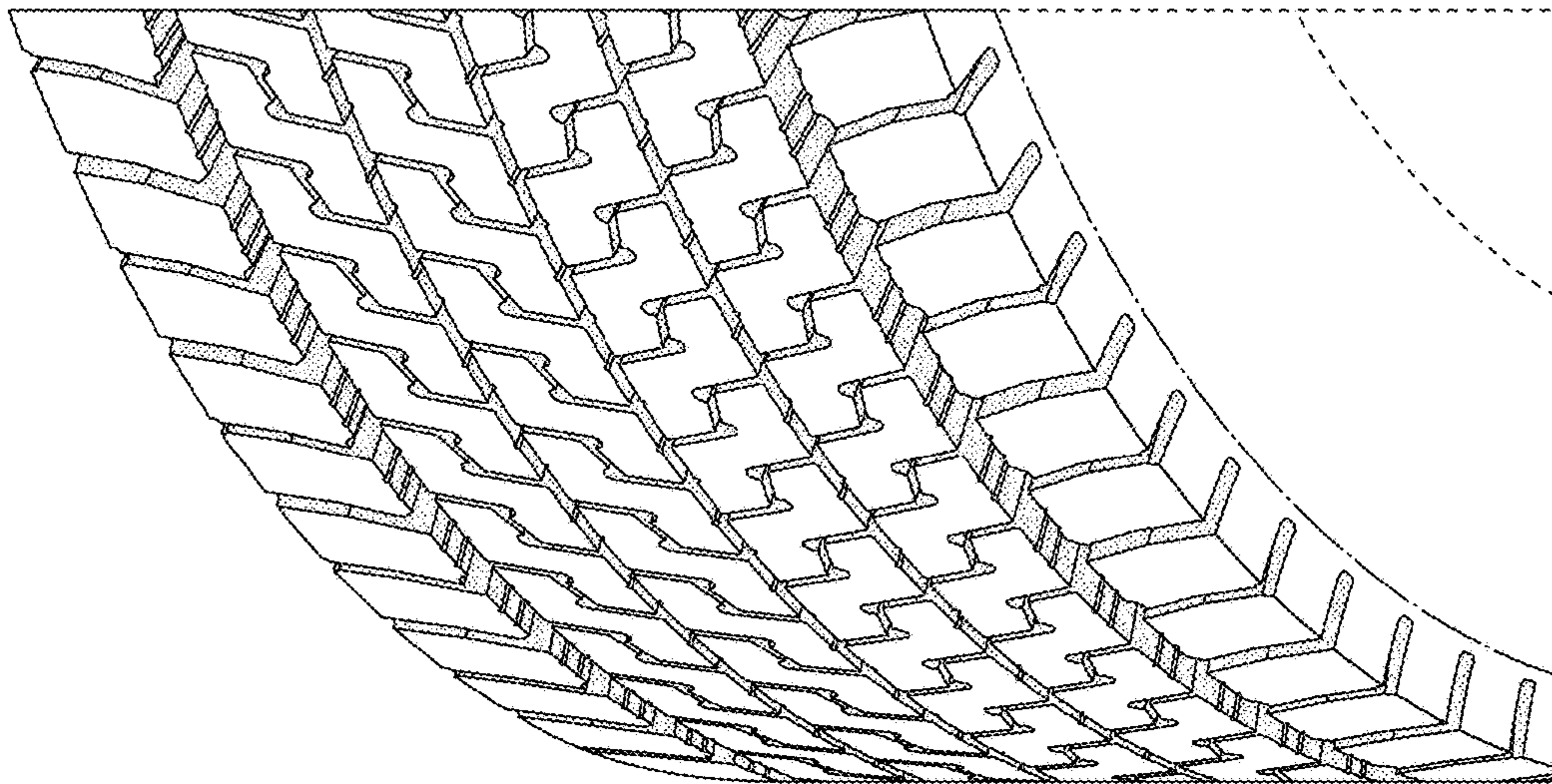


FIG. 9

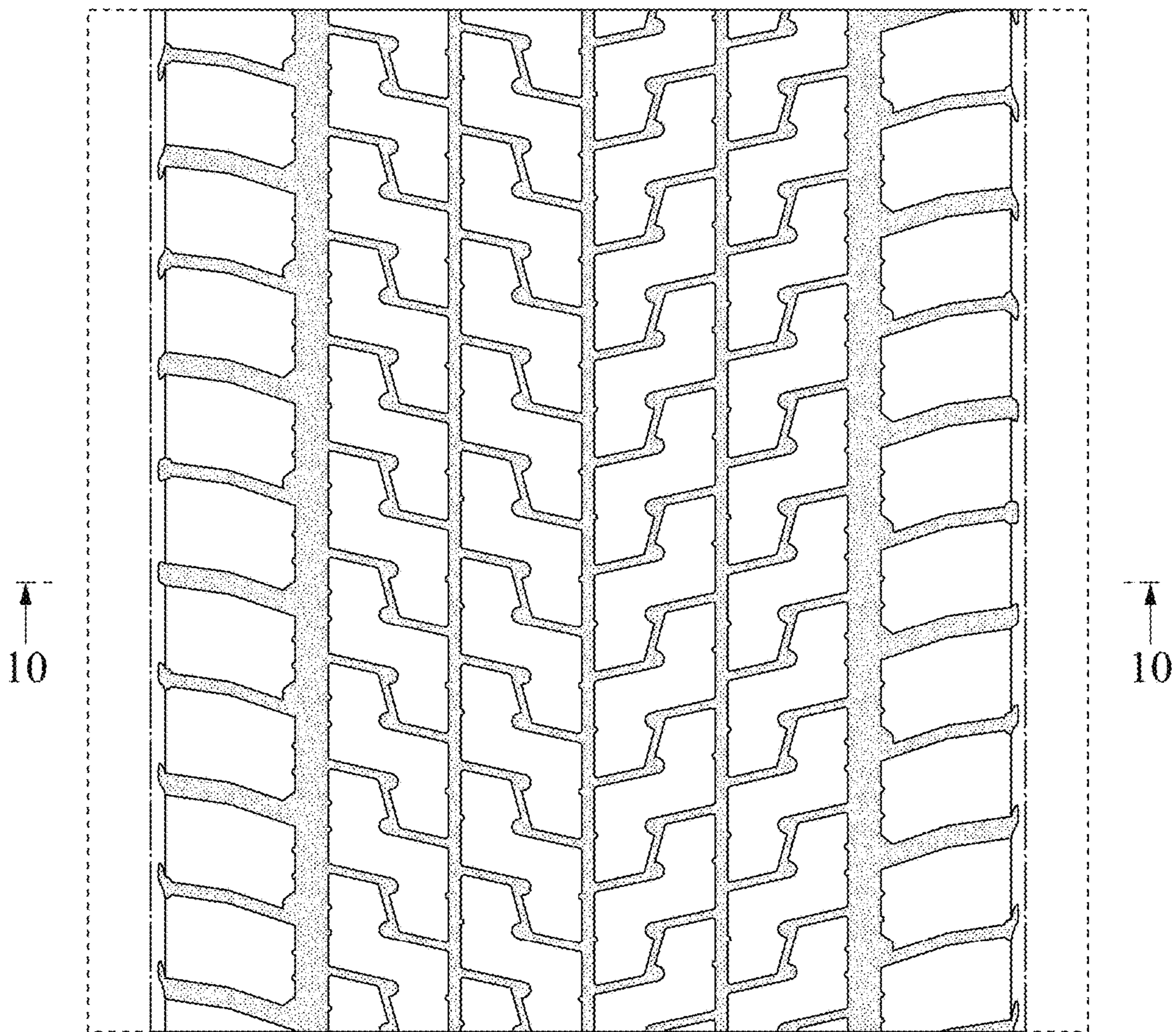


FIG. 10

