



US00D857615S

(12) **United States Design Patent** (10) **Patent No.:** **US D857,615 S**
Speziari et al. (45) **Date of Patent:** **** Aug. 27, 2019**

(54) **CAR TIRE**

(71) Applicant: **PIRELLI TYRE S.P.A.**, Milan (IT)

(72) Inventors: **Diego Speziari**, Milan (IT); **Stefano Montesello**, Milan (IT); **Vito Bello**, Milan (IT)

(73) Assignee: **PIRELLI TYRE S.P.A.**, Milan (IT)

(**) Term: **15 Years**

(21) Appl. No.: **29/636,601**

(22) Filed: **Feb. 9, 2018**

Related U.S. Application Data

(63) Continuation of application No. 29/625,838, filed on Nov. 13, 2017.

(30) **Foreign Application Priority Data**

May 12, 2017 (EM) 003998947
Nov. 6, 2017 (EM) 004496594

(51) **LOC (12) Cl.** **12-15**

(52) **U.S. Cl.**
USPC **D12/523**

(58) **Field of Classification Search**
USPC D12/500-532, 604
CPC Y10T 152/10027; B60C 1/0016; B60C 11/0306; B60C 11/0302; B60C 3/06; B60C 9/17
See application file for complete search history.

(56) **References Cited**

U.S. PATENT DOCUMENTS

D633,433 S * 3/2011 Sieber D12/519
D651,160 S * 12/2011 Jacobs D12/518

D728,452 S * 5/2015 Sano D12/521
D730,808 S * 6/2015 Majerus D12/523
D780,090 S * 2/2017 Liu D12/521
D783,506 S * 4/2017 Kossi D12/521
D783,508 S * 4/2017 Tikka D12/528
D789,873 S * 6/2017 Kiwaki D12/523
D807,279 S * 1/2018 Hung D12/519

* cited by examiner

Primary Examiner — Lakiya G Rogers

Assistant Examiner — John A Voytek

(74) *Attorney, Agent, or Firm* — Finnegan, Henderson, Farabow, Garrett & Dunner, L.L.P.

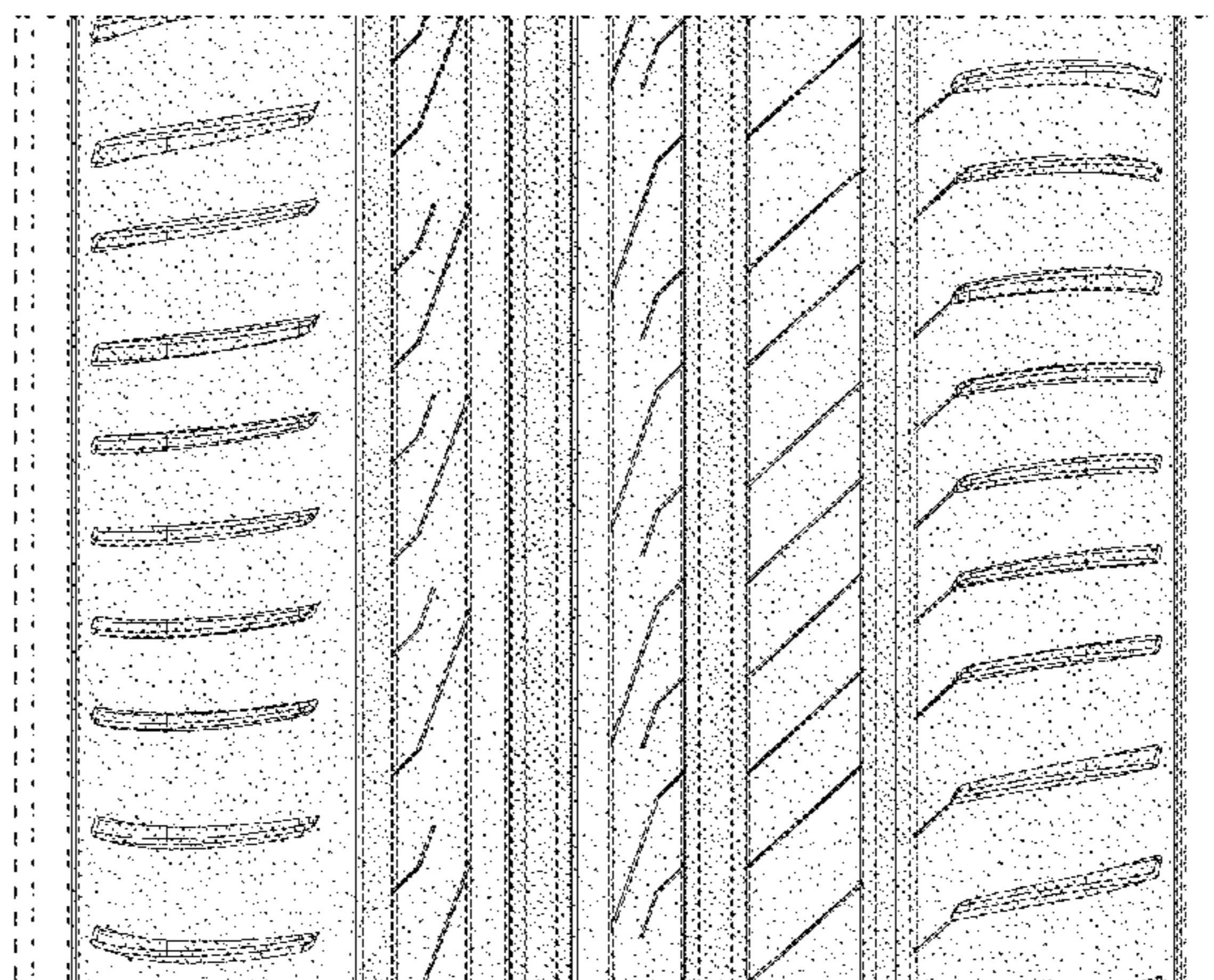
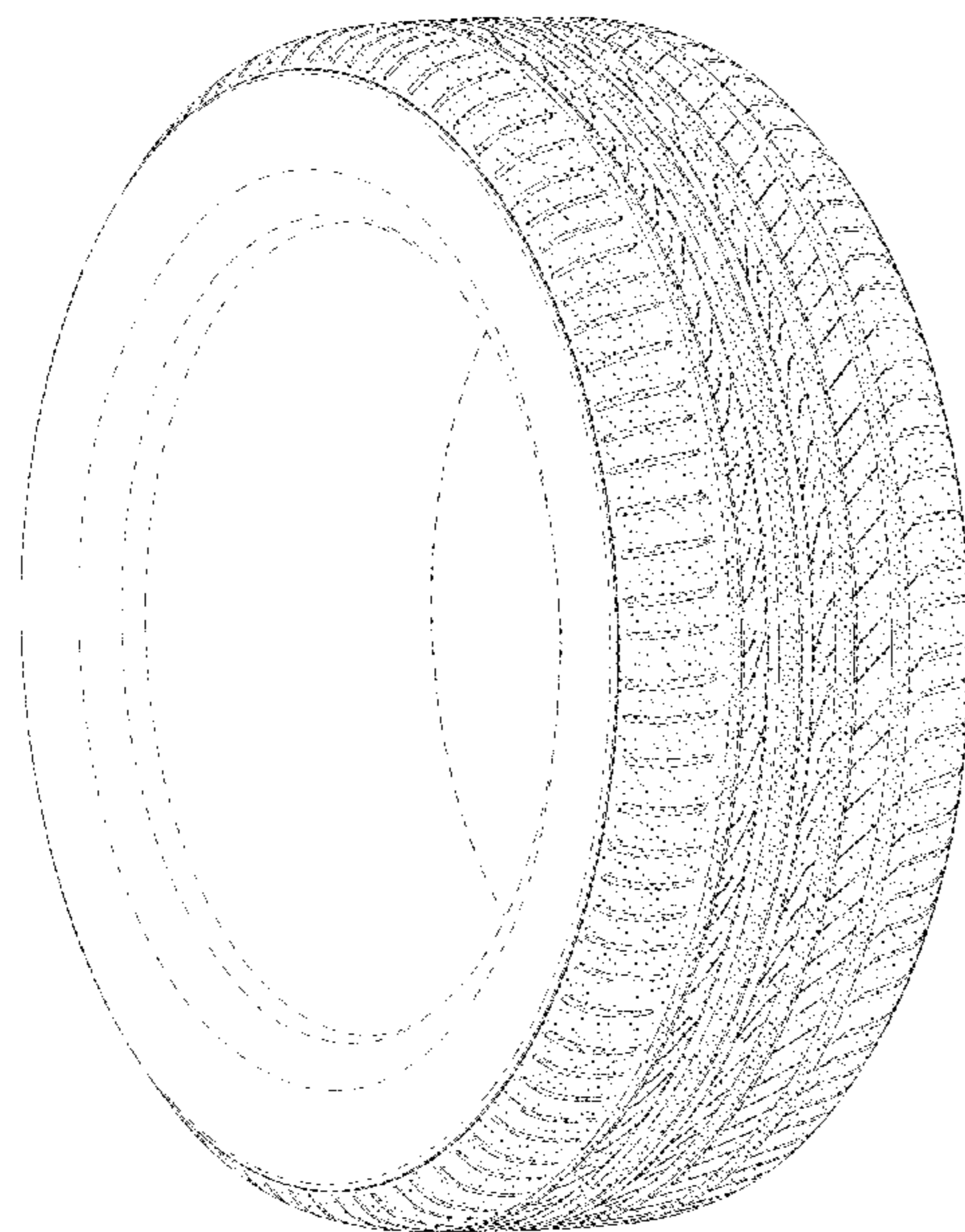
(57) **CLAIM**

The ornamental design for a car tire, as shown and described.

DESCRIPTION

FIG. 1 is a perspective view of a car tire, showing our new design;
FIG. 2 is a front elevation view thereof, it being understood that the tread pattern is repeated throughout the circumference of the car tire;
FIG. 3 is a left side elevation view thereof;
FIG. 4 is a right side elevation view thereof; and,
FIG. 5 is an enlarged front elevation view of FIG. 2, showing a portion thereof.
The portions depicted in broken dashed lines of uneven length mark the boundaries of the claimed design. The portions depicted in broken dashed lines illustrate portions of the car tire that form no part of the claimed design.

1 Claim, 5 Drawing Sheets



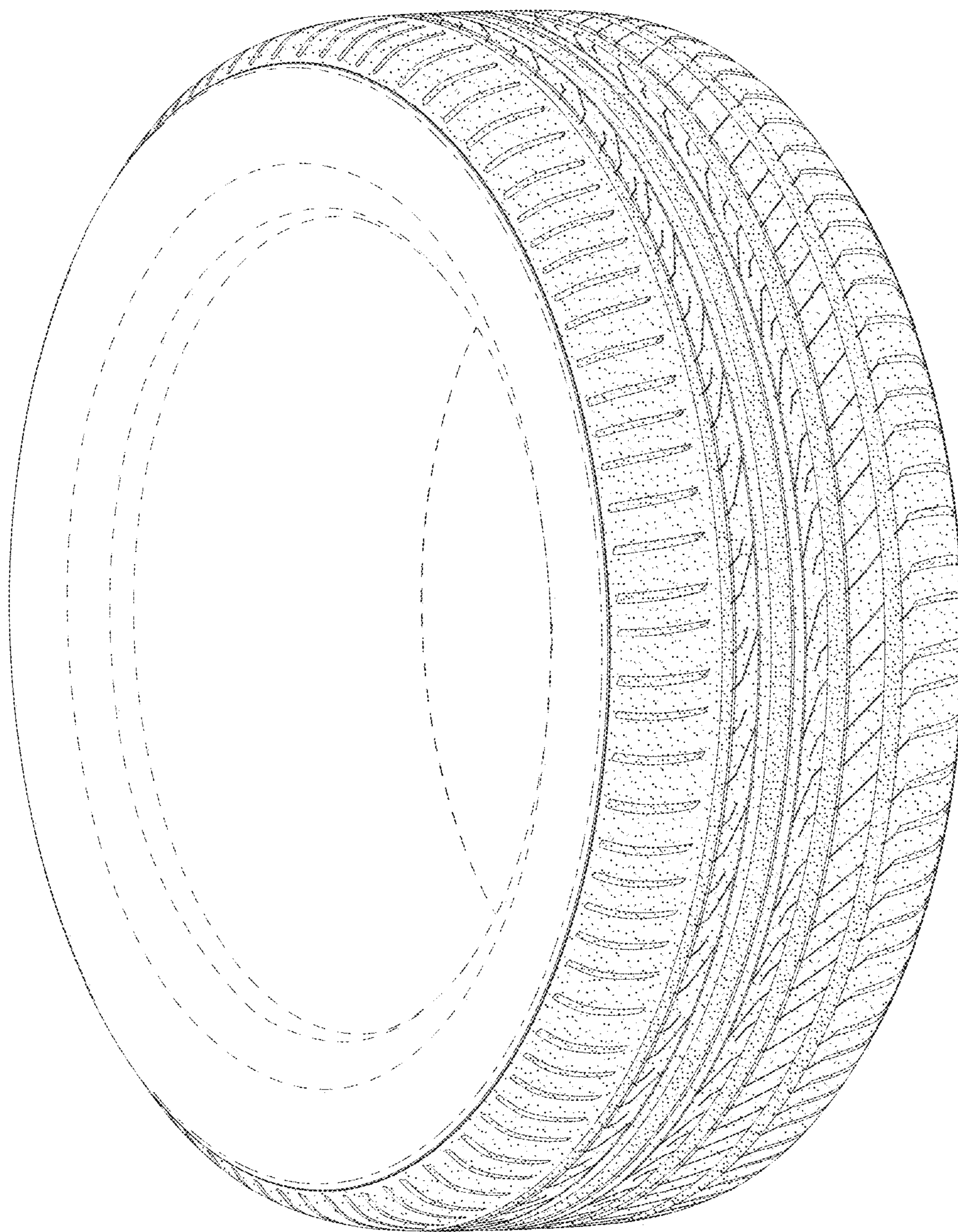


FIG. 1

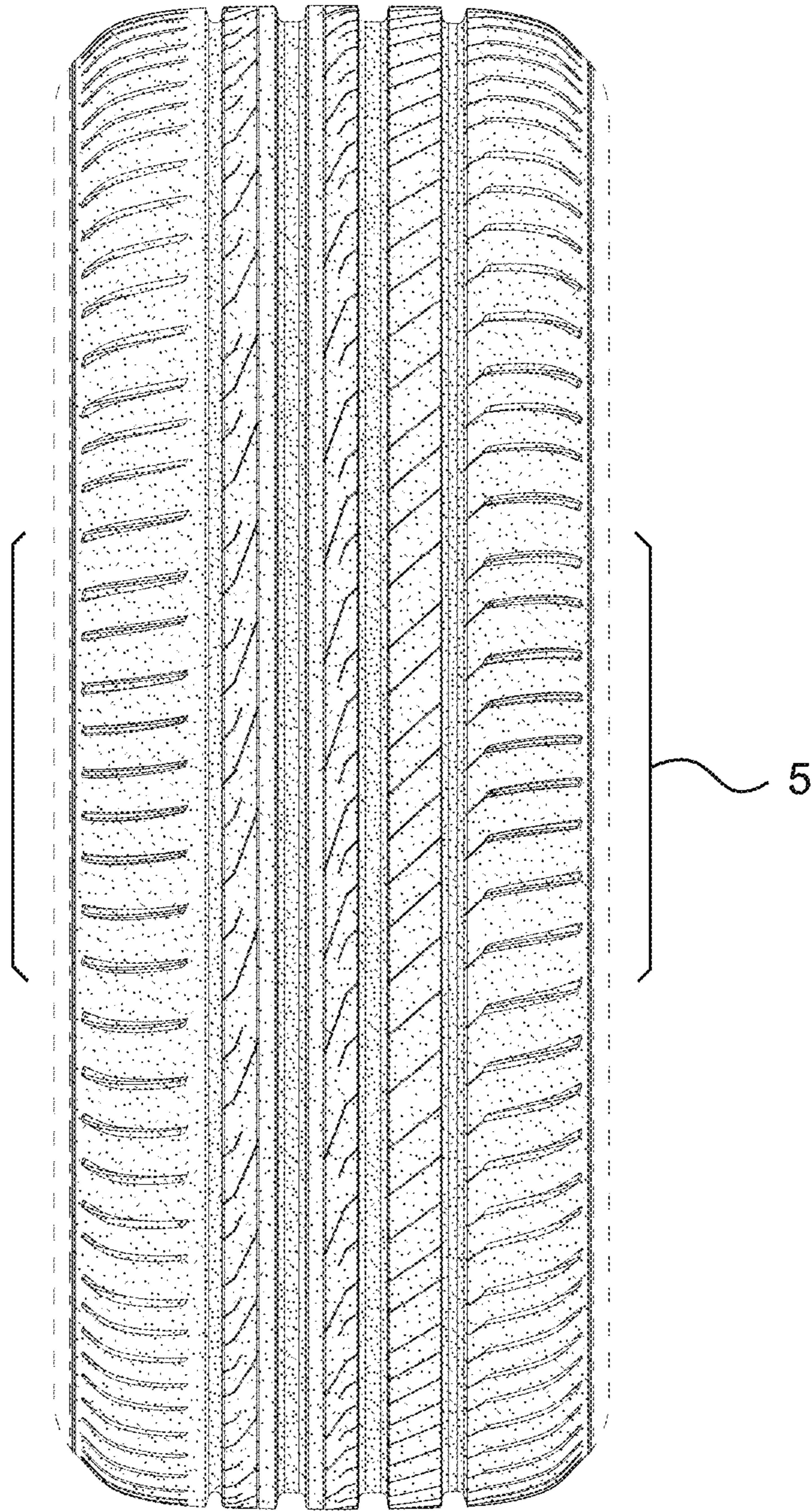


FIG. 2

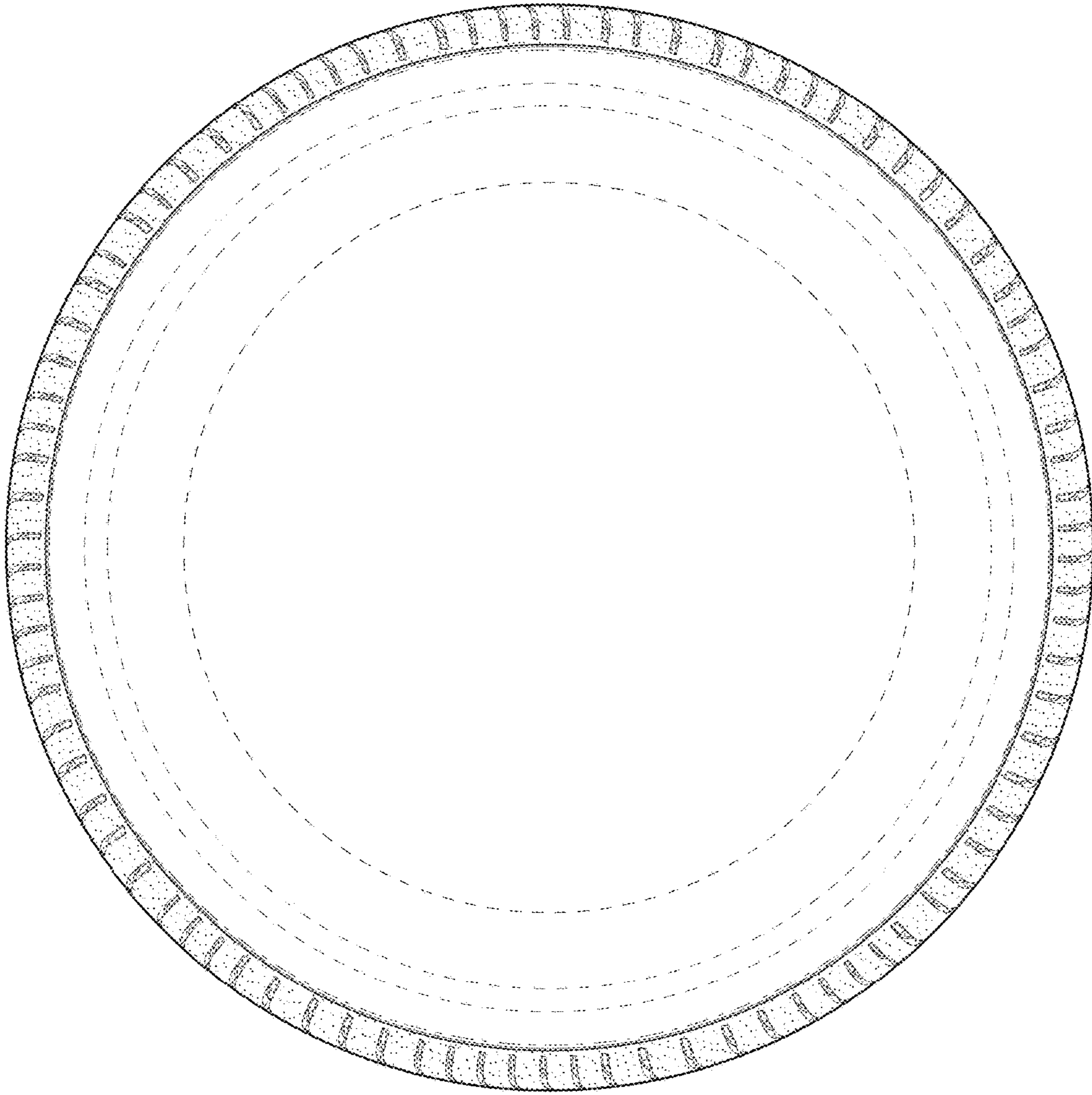


FIG. 3

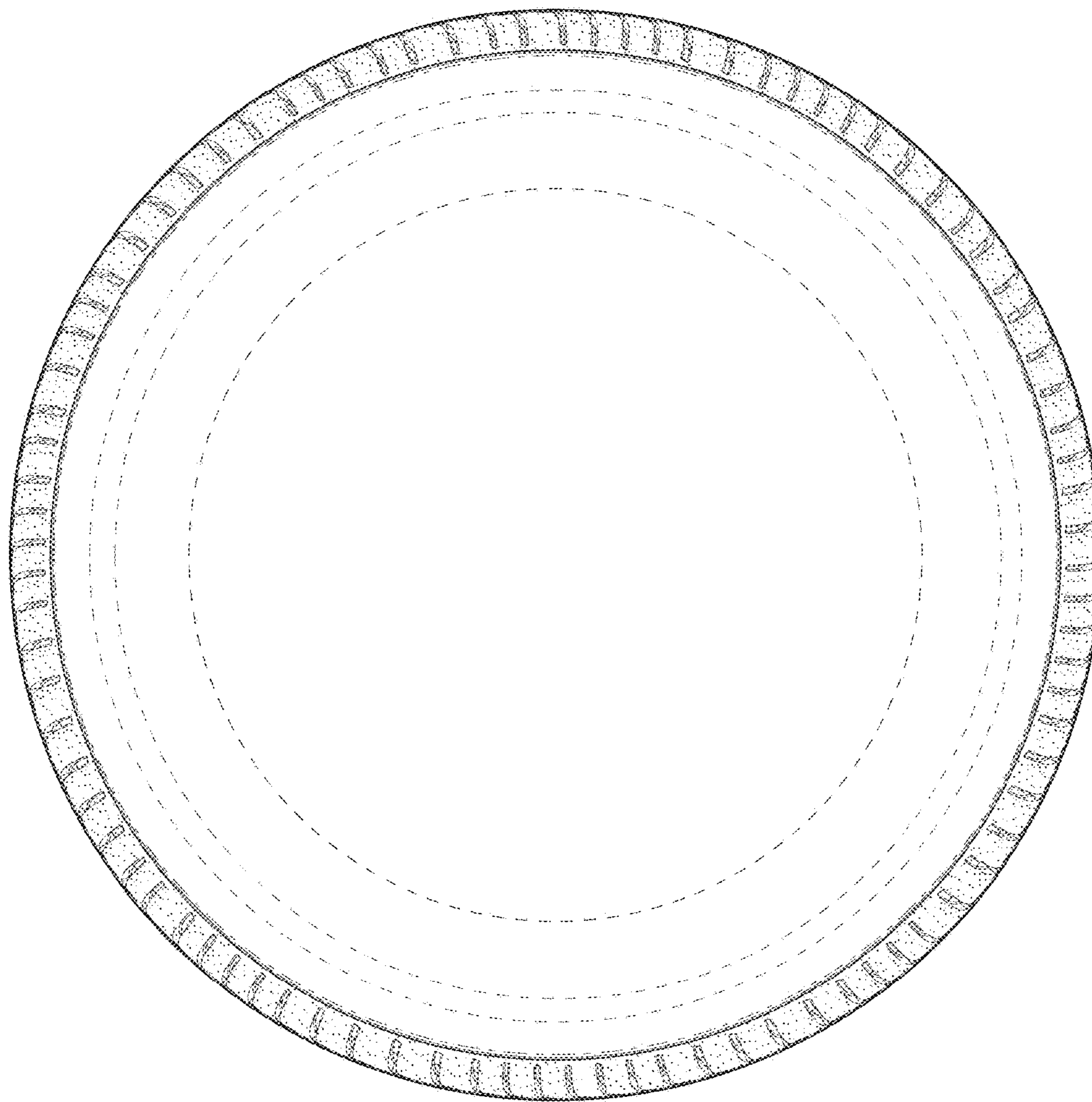


FIG. 4

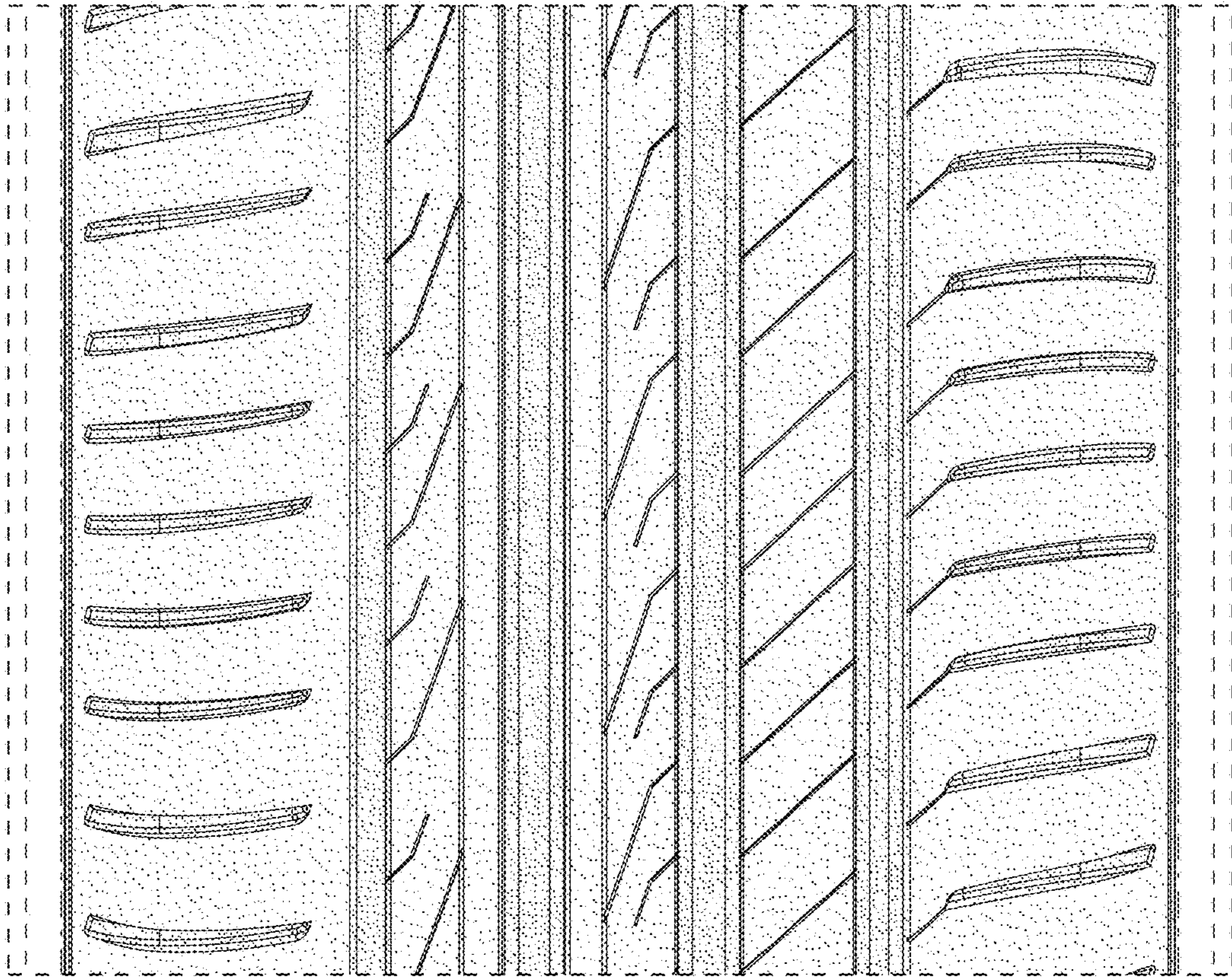


FIG. 5