



US00D857610S

(12) **United States Design Patent** (10) **Patent No.:** **US D857,610 S**  
**Meldrum** (45) **Date of Patent:** **\*\* Aug. 27, 2019**

(54) **VEHICLE DOOR HANGER**  
(71) Applicant: **ARC OFF ROAD LLC**, Carmel, IN (US)  
(72) Inventor: **Seth Meldrum**, Carmel, IN (US)  
(73) Assignee: **ARC OFF ROAD LLC**, Carmel, IN (US)  
(\*\*) Term: **15 Years**  
(21) Appl. No.: **29/625,722**  
(22) Filed: **Nov. 13, 2017**  
(51) **LOC (12) Cl.** ..... **12-16**  
(52) **U.S. Cl.**  
USPC ..... **D12/415**  
(58) **Field of Classification Search**  
USPC ..... D12/415, 416, 420, 400, 191, 106, 195,  
D12/192, 345, 96, 99, 425; D3/318, 321,  
D3/328; 297/125, 135, 146, 188.1,  
297/463.1-463.2  
CPC .. B60R 7/00; B60R 7/04; B60R 7/043; B60R  
2011/0012  
See application file for complete search history.

D546,610 S \* 7/2007 Blanchard ..... D6/567  
D590,404 S \* 4/2009 Kim ..... D14/447  
D663,726 S \* 7/2012 Gourley ..... D14/251  
D688,201 S \* 8/2013 Mecca ..... D13/108  
D688,202 S \* 8/2013 Mecca ..... D13/108  
D789,869 S \* 6/2017 Richardson, II ..... D12/415

\* cited by examiner

*Primary Examiner* — Abraham Bahta

(74) *Attorney, Agent, or Firm* — Jacob M. Ward; Ward Law Office LLC

(57) **CLAIM**

The ornamental design for a vehicle door hanger, as shown and described.

**DESCRIPTION**

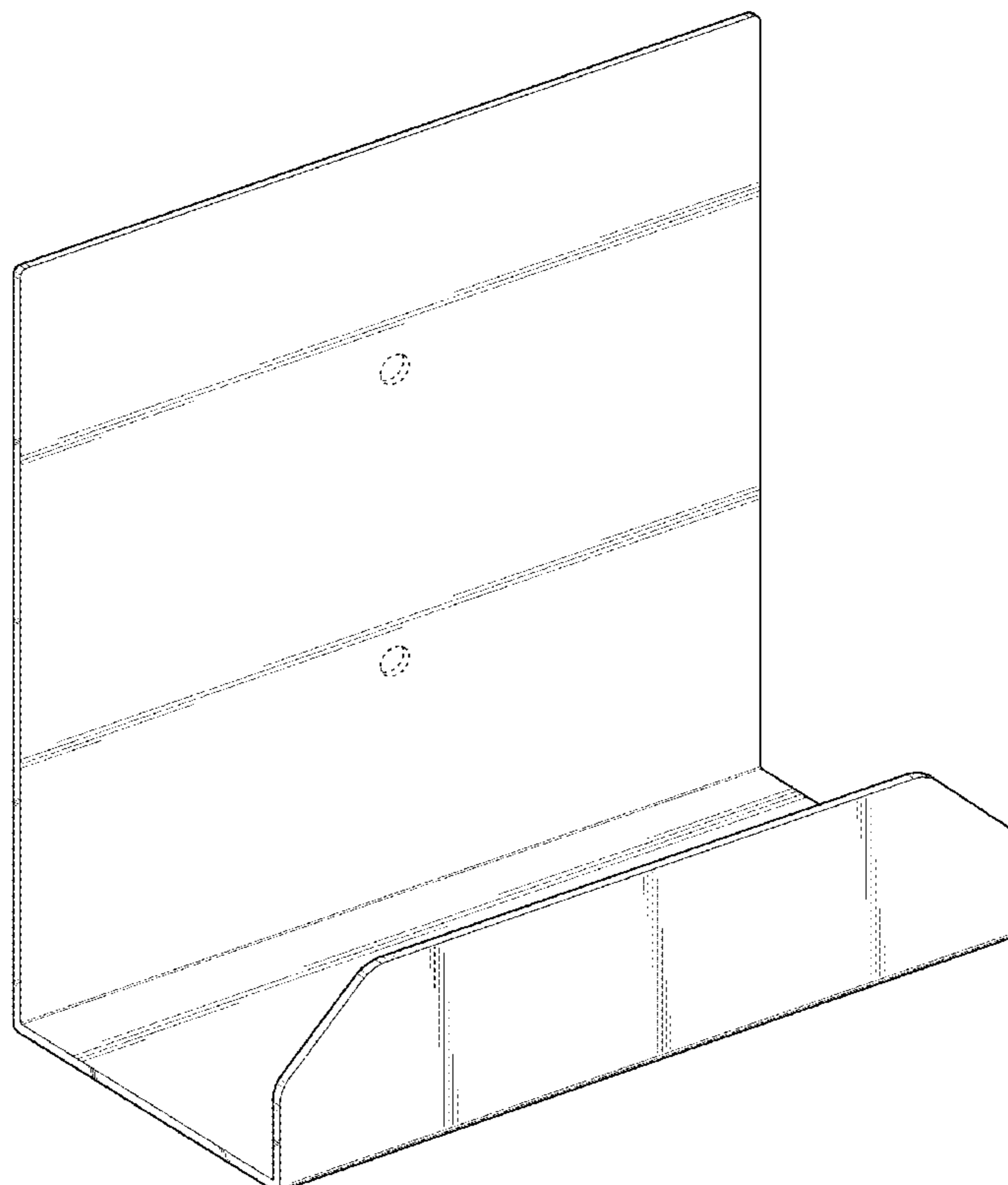
FIG. 1 is a top perspective view of a vehicle door hanger; FIG. 2 is a front elevational view thereof; FIG. 3 is a rear elevational view thereof; FIG. 4 is a left side elevational view thereof; FIG. 5 is a right side elevational view thereof; FIG. 6 is a top plan view thereof; and, FIG. 7 is a bottom plan view thereof. The broken lines in the drawings form no part of the claimed design. The ornamental design which is claimed is shown in solid lines in the drawings.

(56) **References Cited**

U.S. PATENT DOCUMENTS

D182,443 S \* 4/1958 Sherman ..... D19/90  
D279,630 S \* 7/1985 Bart ..... D19/91

**1 Claim, 5 Drawing Sheets**



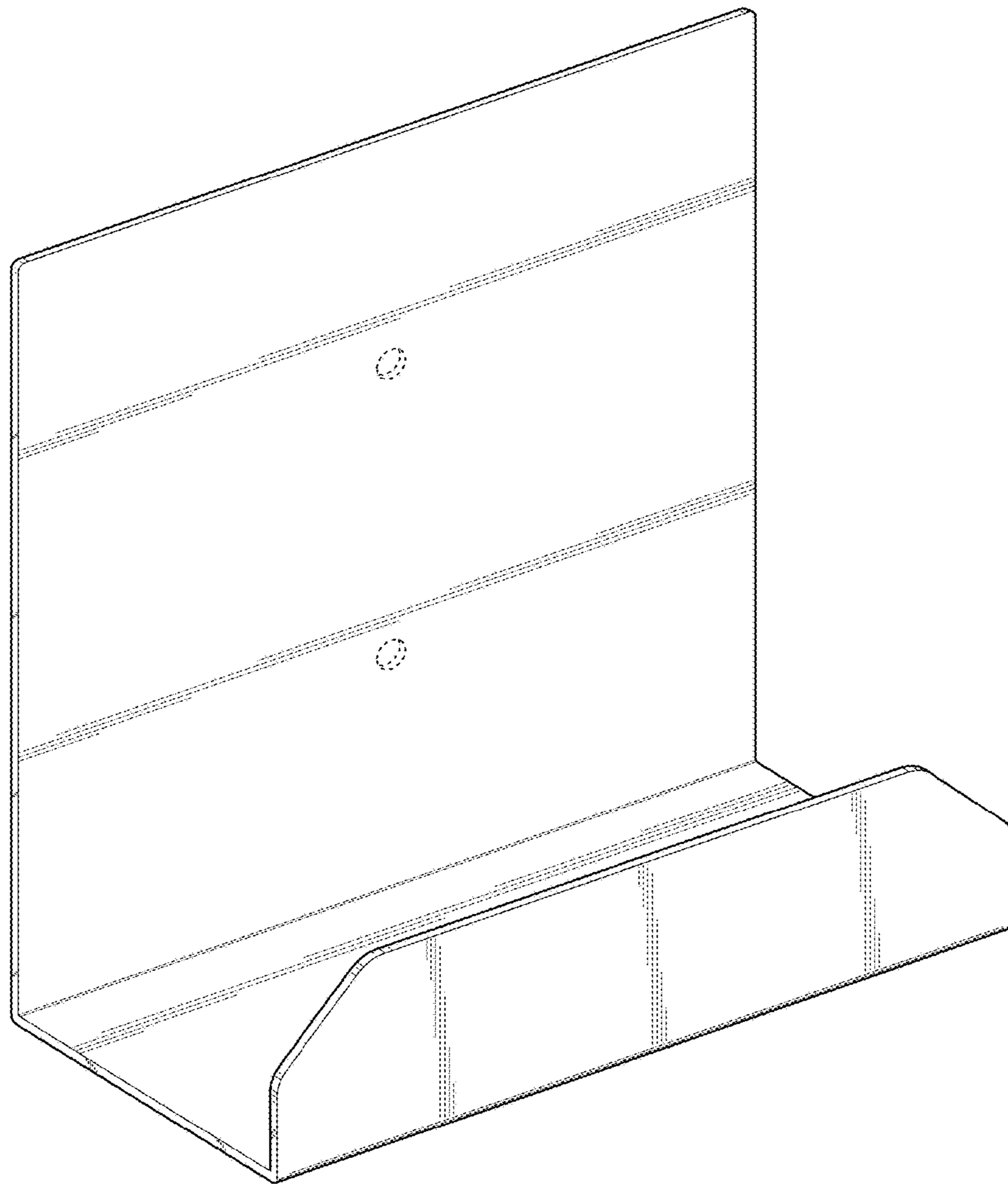


FIG. 1

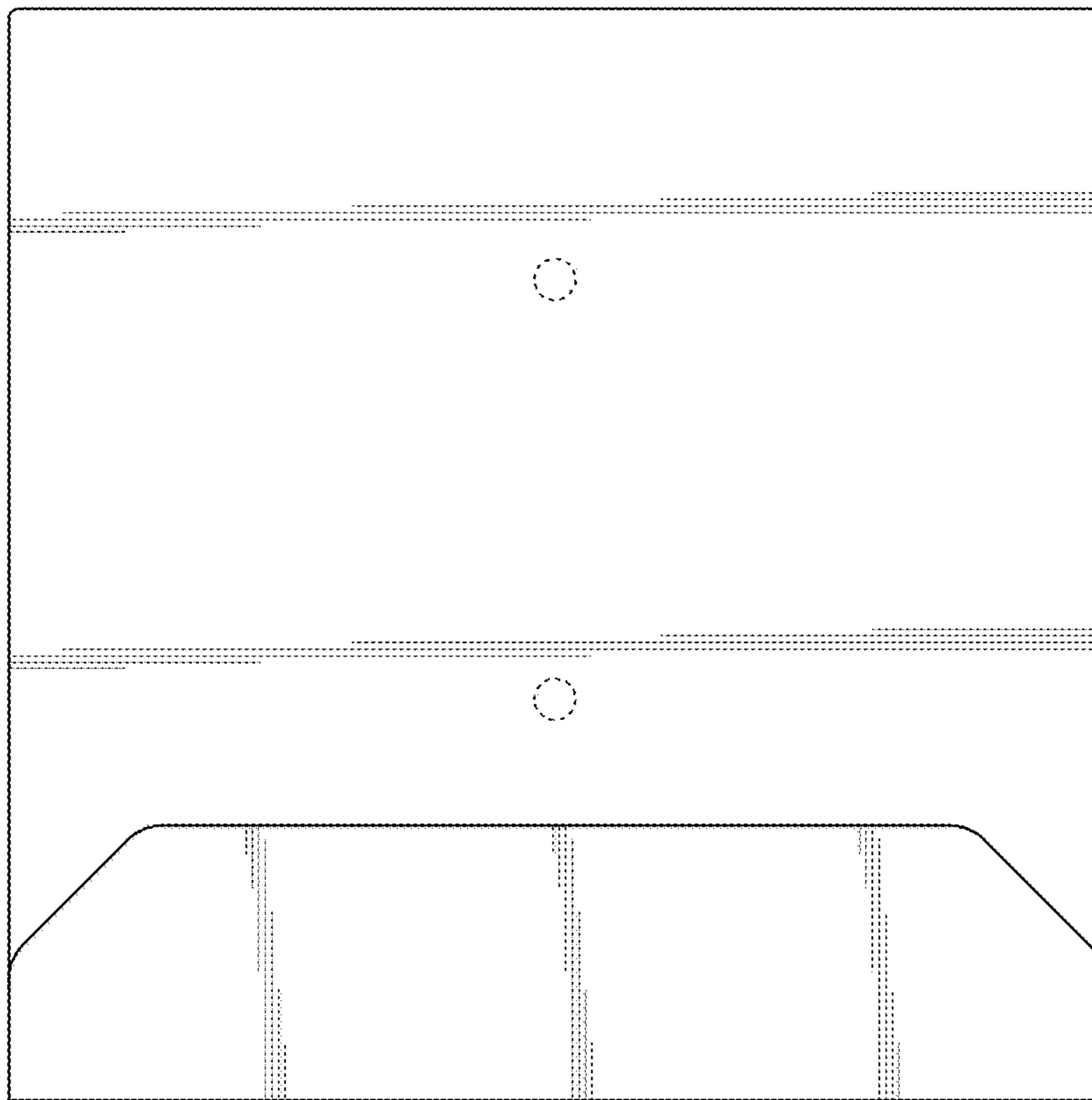


FIG. 2

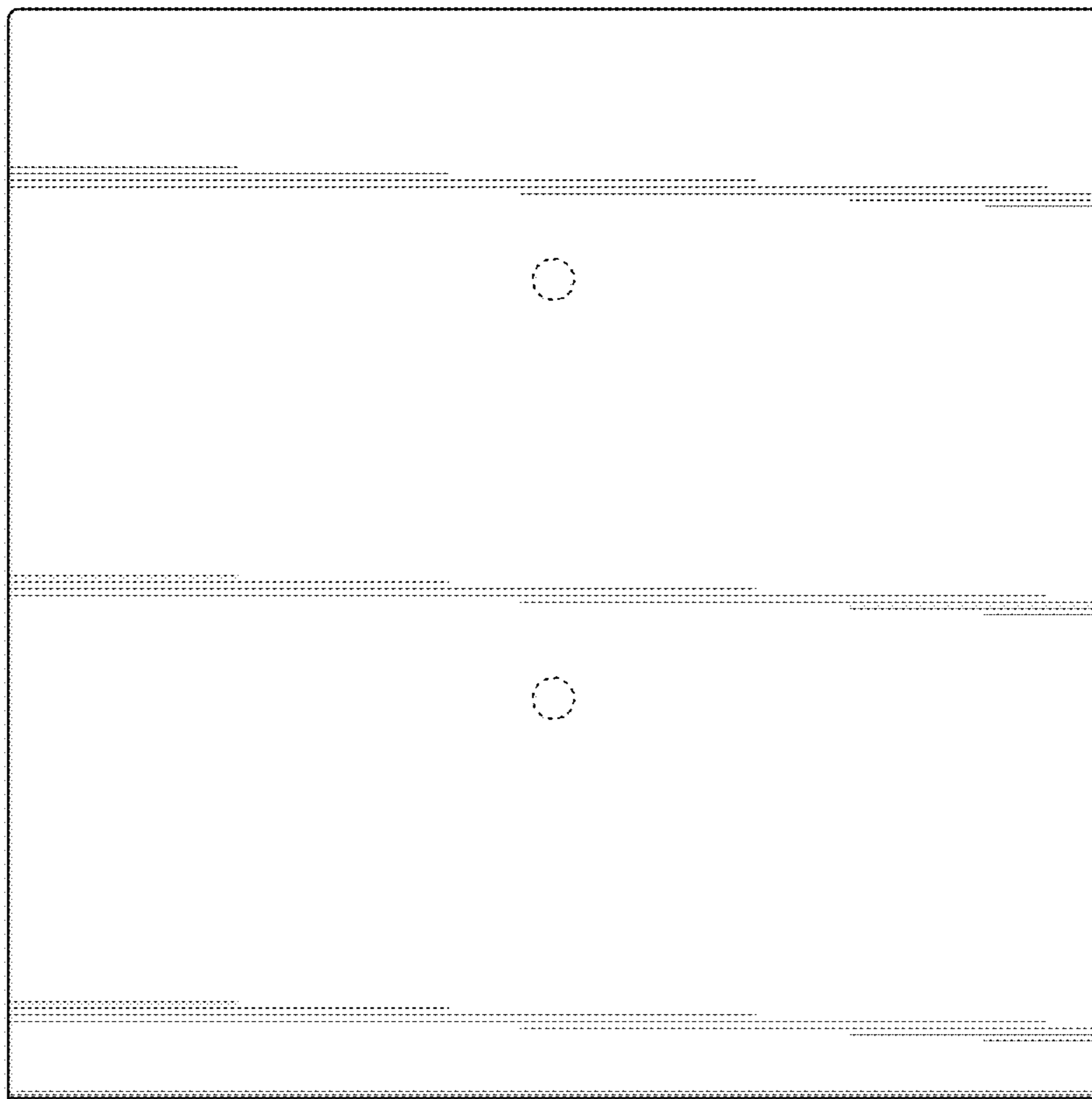


FIG. 3

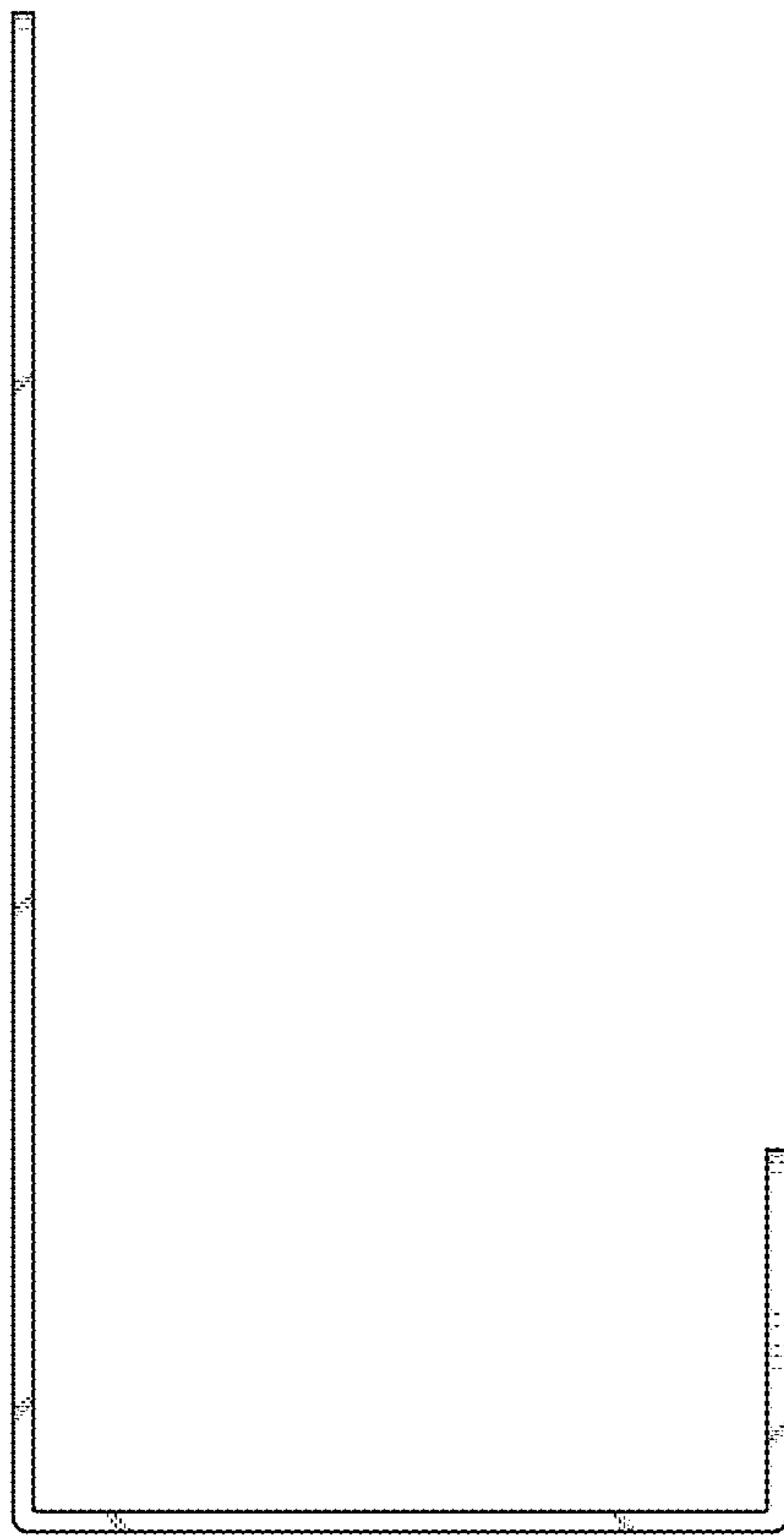


FIG. 4

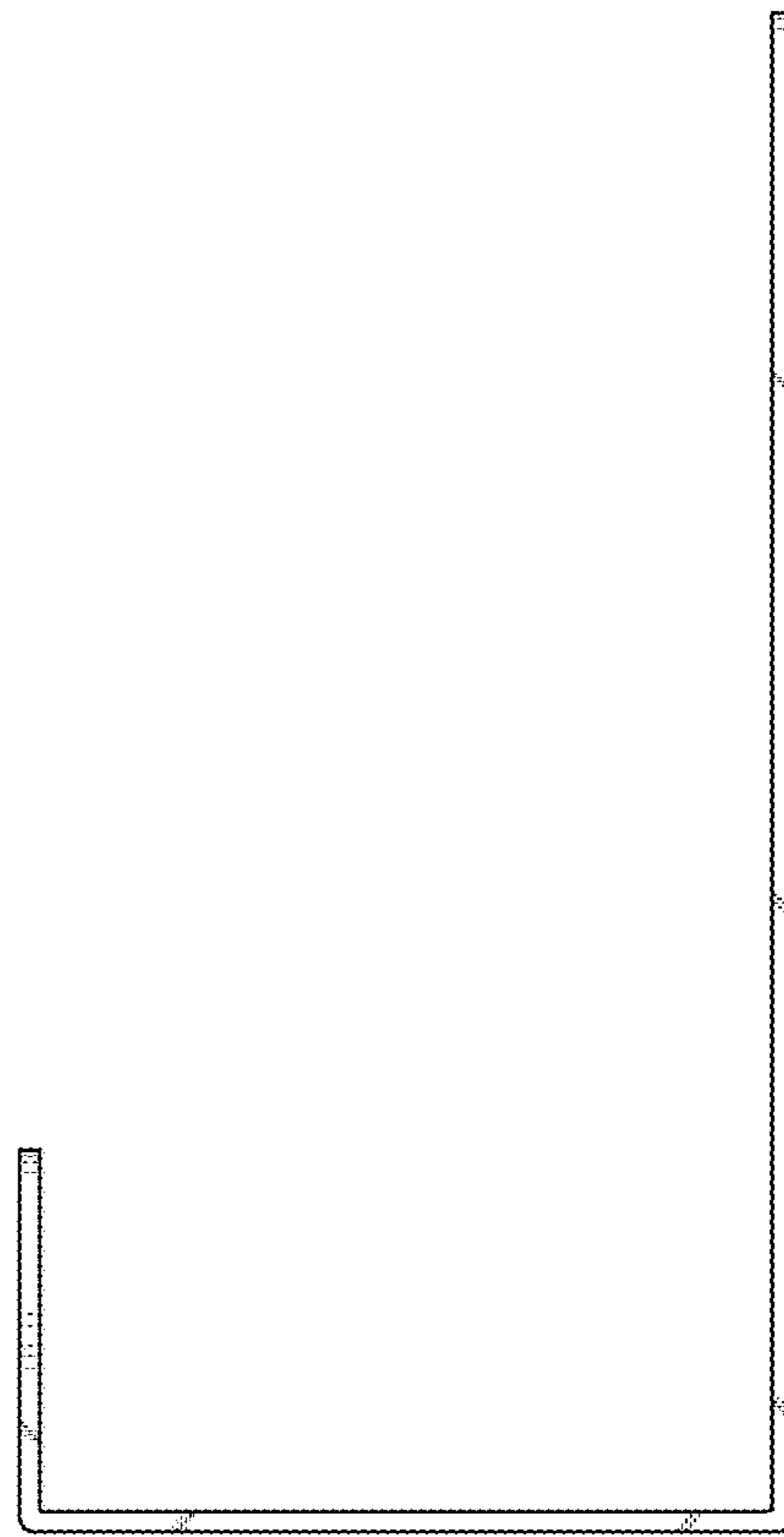
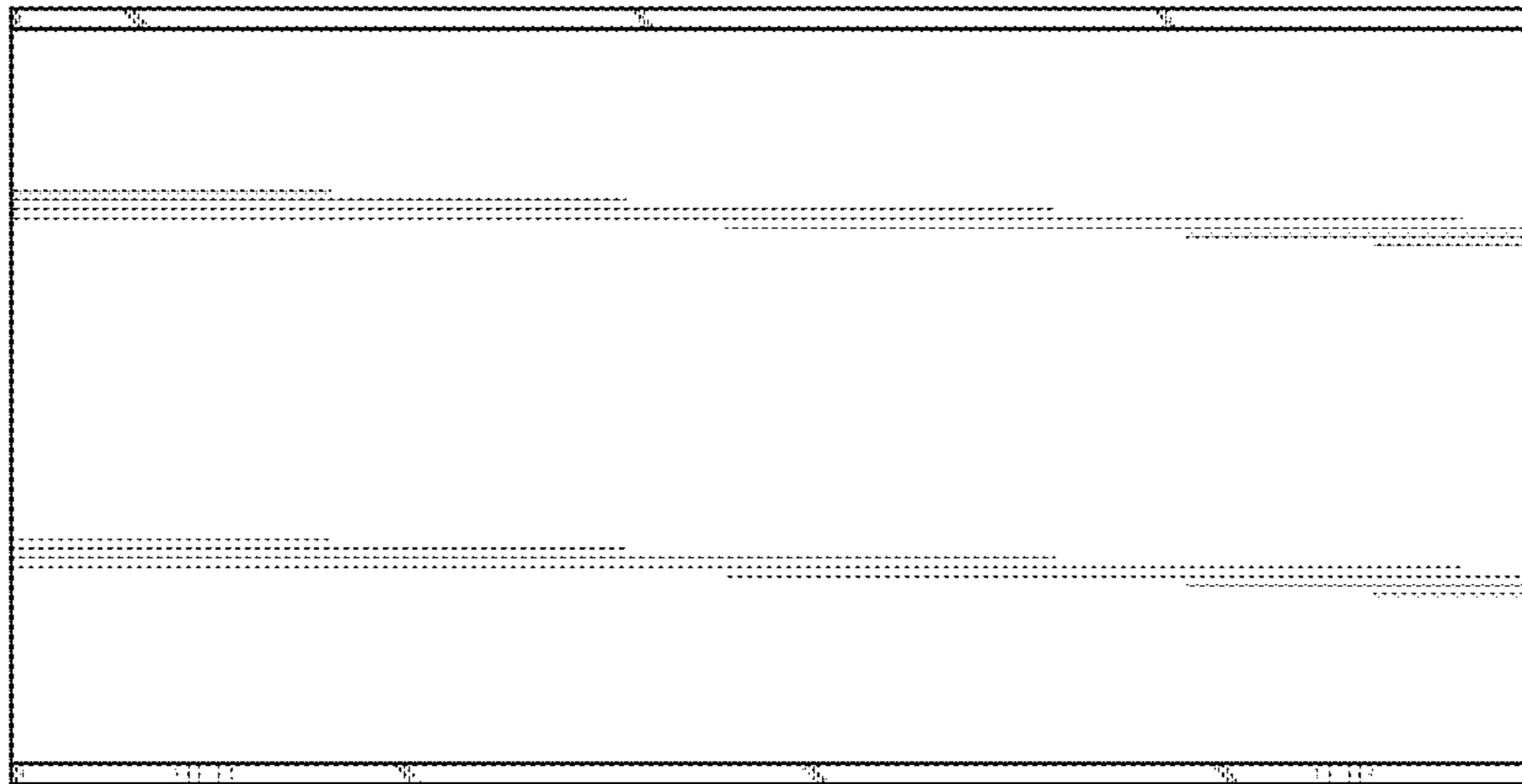
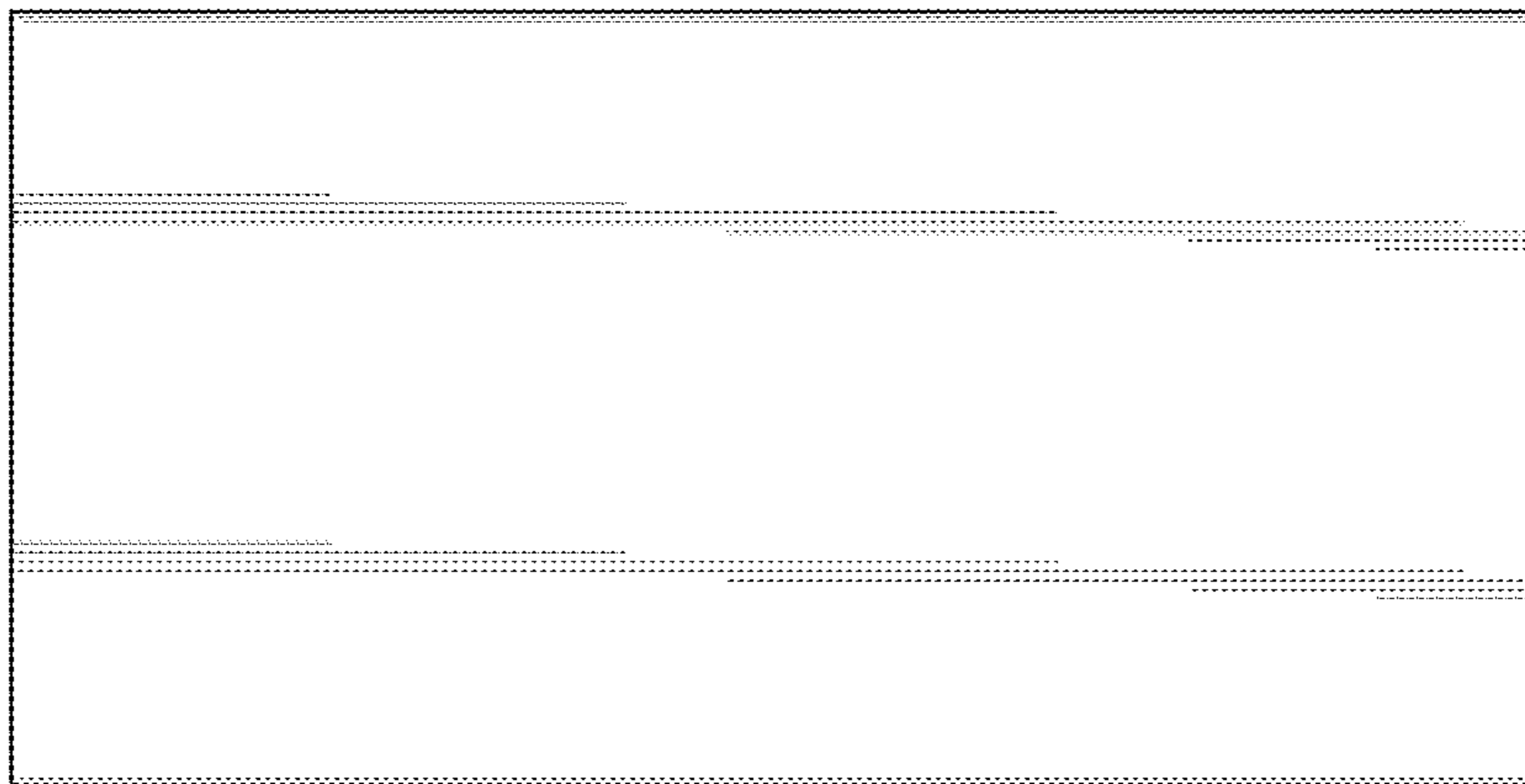


FIG. 5



**FIG. 6**



**FIG. 7**