



US00D857608S

(12) **United States Design Patent**
Tewani

(10) **Patent No.:** **US D857,608 S**

(45) **Date of Patent:** **** Aug. 27, 2019**

(54) **STRAP**

(71) Applicant: **Tewani Creative Group, LLC**,
Pleasantville, NY (US)

(72) Inventor: **Raj Tewani**, Pleasantville, NY (US)

(73) Assignee: **Tewani Creative Group, LLC**,
Pleasantville, NY (US)

(**) Term: **15 Years**

(21) Appl. No.: **29/637,787**

(22) Filed: **Feb. 22, 2018**

(51) **LOC (12) Cl.** **12-16**

(52) **U.S. Cl.**
USPC **D12/400**

(58) **Field of Classification Search**
USPC D12/400, 345
CPC B60R 22/26; A45C 1/024; A45C 3/06
See application file for complete search history.

(56) **References Cited**

U.S. PATENT DOCUMENTS

D575,638 S * 8/2008 Yalinkaya D3/318
D762,389 S * 8/2016 Guichot D3/327
9,630,758 B2 * 4/2017 Kozminske B65D 63/1027
D831,105 S * 10/2018 Lucas D17/20
D831,609 S * 10/2018 Huang D14/205

D833,120 S * 11/2018 Terol D2/891
D833,710 S * 11/2018 Relyea D2/706
D834,320 S * 11/2018 Mironski D3/327
10,130,162 B2 * 11/2018 Tang A45F 5/00
10,154,722 B2 * 12/2018 Tian F41C 33/002
D838,985 S * 1/2019 Nair D3/318

* cited by examiner

Primary Examiner — Katrina A Betton

(74) *Attorney, Agent, or Firm* — Amster, Rothstein &
Ebenstein LLP

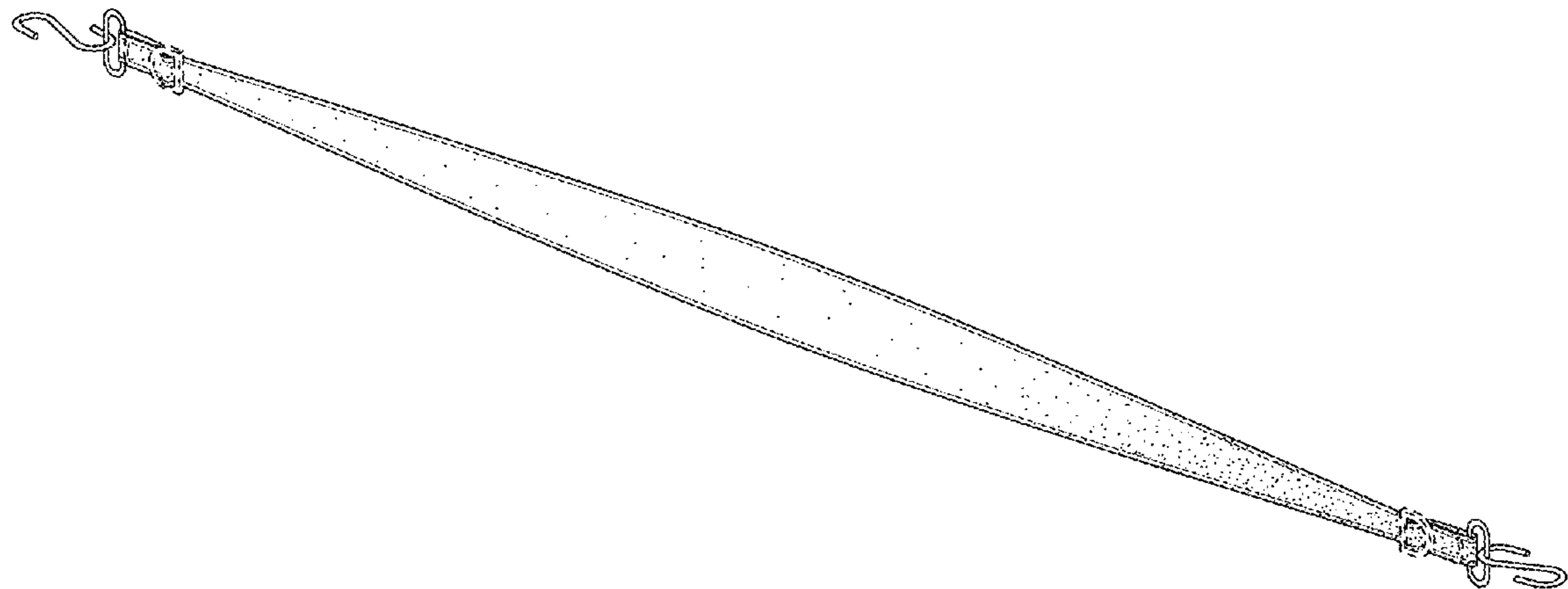
(57) **CLAIM**

The ornamental design for a strap, as shown and described.

DESCRIPTION

FIG. 1 is a perspective view of a strap;
FIG. 2 is a bottom plan view of the strap of FIG. 1;
FIG. 3 is a top plan view of the strap of FIG. 1;
FIG. 4 is a left side view of the strap of FIG. 1;
FIG. 5 is a right side view of the strap of FIG. 1;
FIG. 6 is a front view of the strap of FIG. 1, the rear view
appearing the same; and,
FIG. 7 is a perspective view of another exemplary embodi-
ment of the strap of FIG. 1.
In the drawings, the broken lines in FIG. 7 depict a seat back
and form no part of the claimed design.

1 Claim, 5 Drawing Sheets



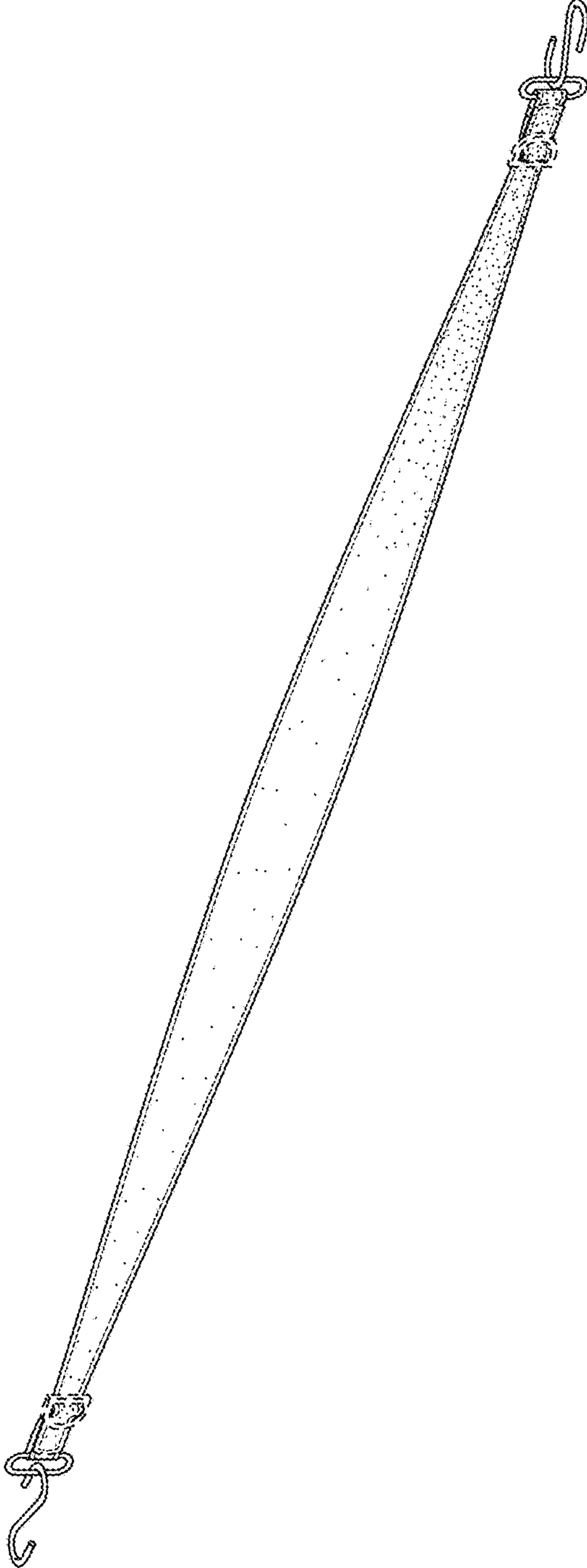


FIG. 1

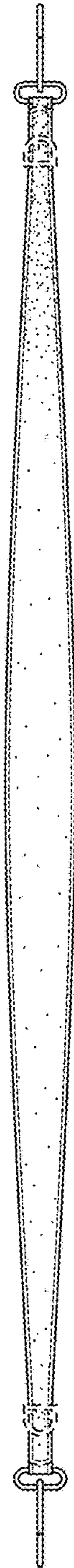


FIG. 2

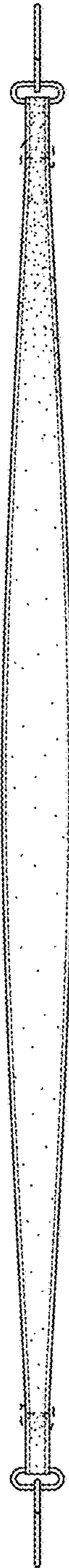


FIG. 3



FIG. 5



FIG. 4

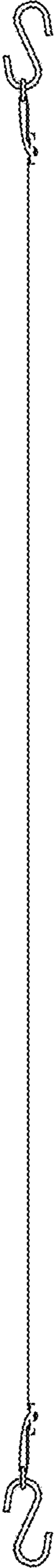


FIG. 6

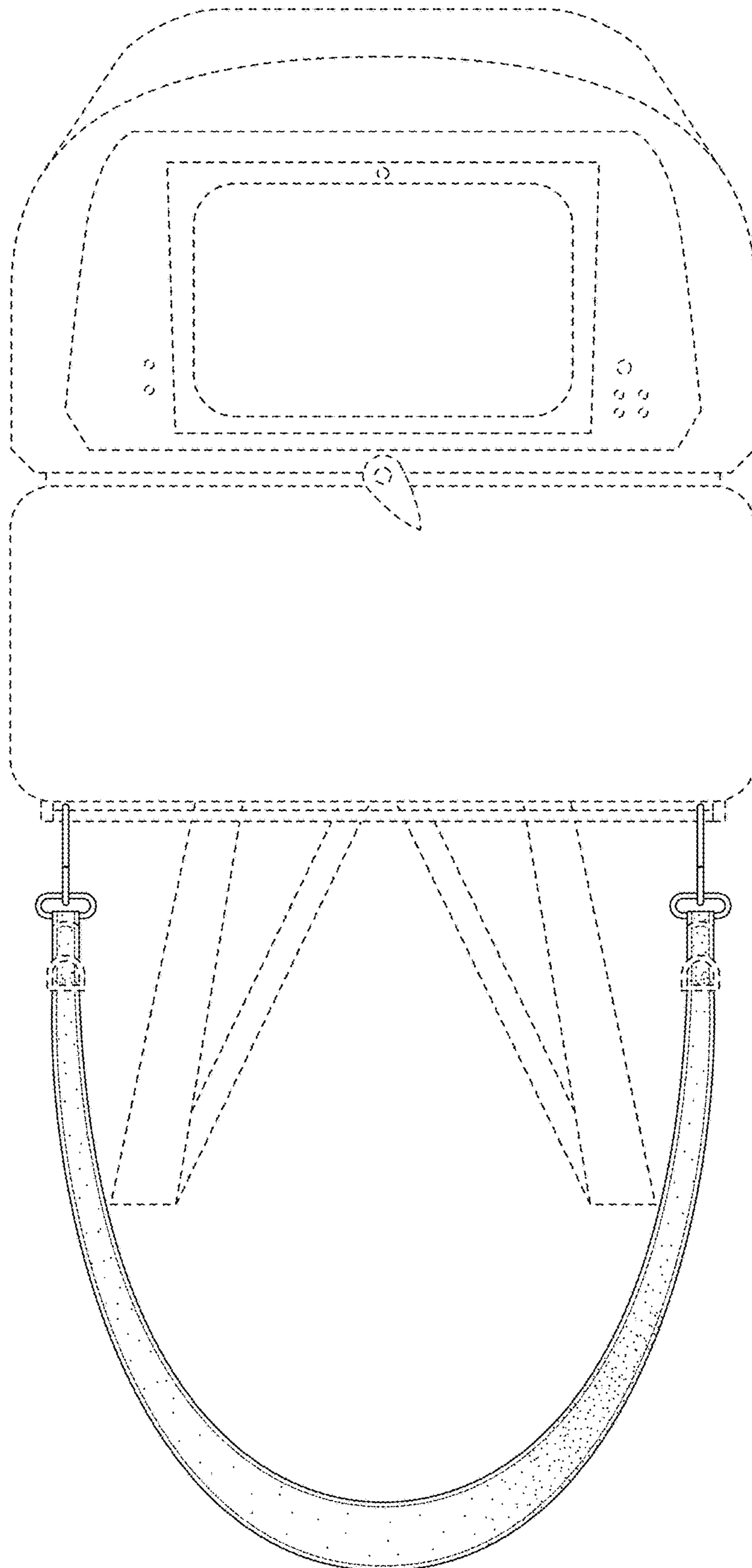


FIG. 7