



US00D857606S

(12) **United States Design Patent** (10) **Patent No.:** **US D857,606 S**
Dane (45) **Date of Patent:** **** Aug. 27, 2019**

(54) **HULL WITH UNDERWATER APPENDAGES**

(71) Applicant: **SOLAR SAILOR PTY LTD**, Sydney (AU)

(72) Inventor: **Robert A. W. Dane**, Sydney (AU)

(73) Assignee: **SOLAR SAILOR PTY LTD**, Sydney (AU)

(**) Term: **15 Years**

(21) Appl. No.: **29/637,592**

(22) Filed: **Feb. 20, 2018**

(51) **LOC (12) Cl.** **12-06**

(52) **U.S. Cl.**
USPC **D12/309**

(58) **Field of Classification Search**
USPC D12/300, 303, 309, 317; D21/769, 771, D21/778
CPC B63B 35/7923; B63B 35/7926; B63B 35/793; B63B 35/79; B63B 35/7943; B63B 1/24
See application file for complete search history.

(56) **References Cited**

U.S. PATENT DOCUMENTS

D222,816 S *	1/1972	Lapworth	D12/303
4,280,433 A *	7/1981	Haddock	B63B 3/38 114/126
D287,961 S *	1/1987	Greene	D12/300
4,883,011 A *	11/1989	Sims	B63B 3/38 114/39.21
D416,851 S *	11/1999	Mitchell	D12/300
D514,499 S *	2/2006	Valdes	D12/303
D580,339 S *	11/2008	McDougall	D12/300

2002/0040673 A1 *	4/2002	Bieker	B63B 1/285 114/274
2009/0283023 A1 *	11/2009	Welbourn	B63B 39/06 114/39.24
2015/0083034 A1 *	3/2015	Howes	B63B 35/7923 114/278

* cited by examiner

Primary Examiner — Cynthia M. Chin

(74) *Attorney, Agent, or Firm* — Young Law Firm, P.C.

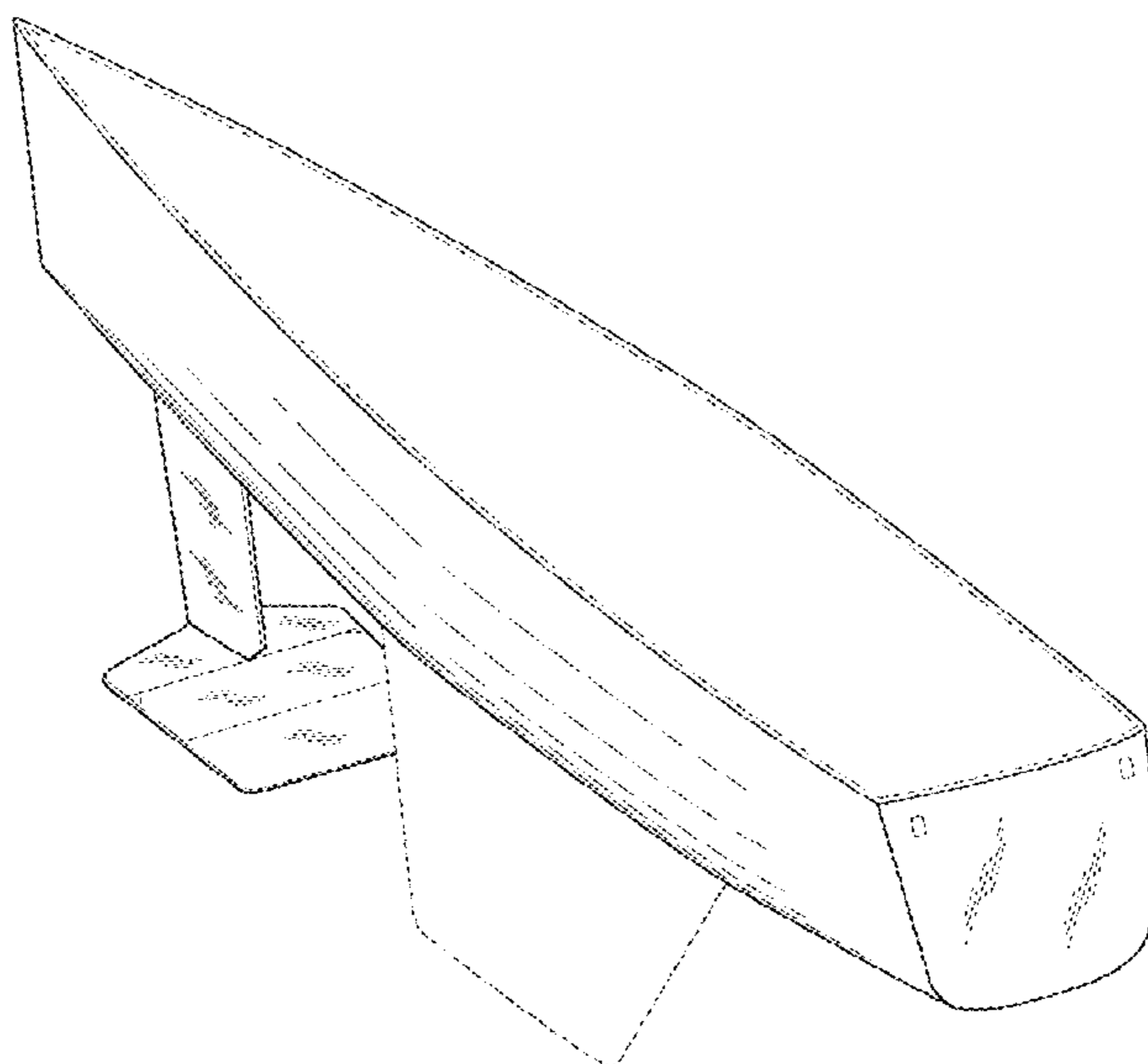
(57) **CLAIM**

The ornamental design for a hull with underwater appendages, as shown and described.

DESCRIPTION

FIG. 1 is a front top perspective view of a hull with underwater appendages.
 FIG. 2 is a rear top perspective view of a hull with underwater appendages.
 FIG. 3 is a front bottom perspective view of a hull with underwater appendages.
 FIG. 4 is a rear bottom perspective view of a hull with underwater appendages.
 FIG. 5 is a side view of a hull with underwater appendages.
 FIG. 6 is a top view of a hull with underwater appendages.
 FIG. 7 is a bottom view of a hull with underwater appendages.
 FIG. 8 is a front view of a hull with underwater appendages; and,
 FIG. 9 is a rear view of a hull with underwater appendages. The broken lines are for the purpose of illustrating portions of the article that form no part of the claim.

1 Claim, 8 Drawing Sheets



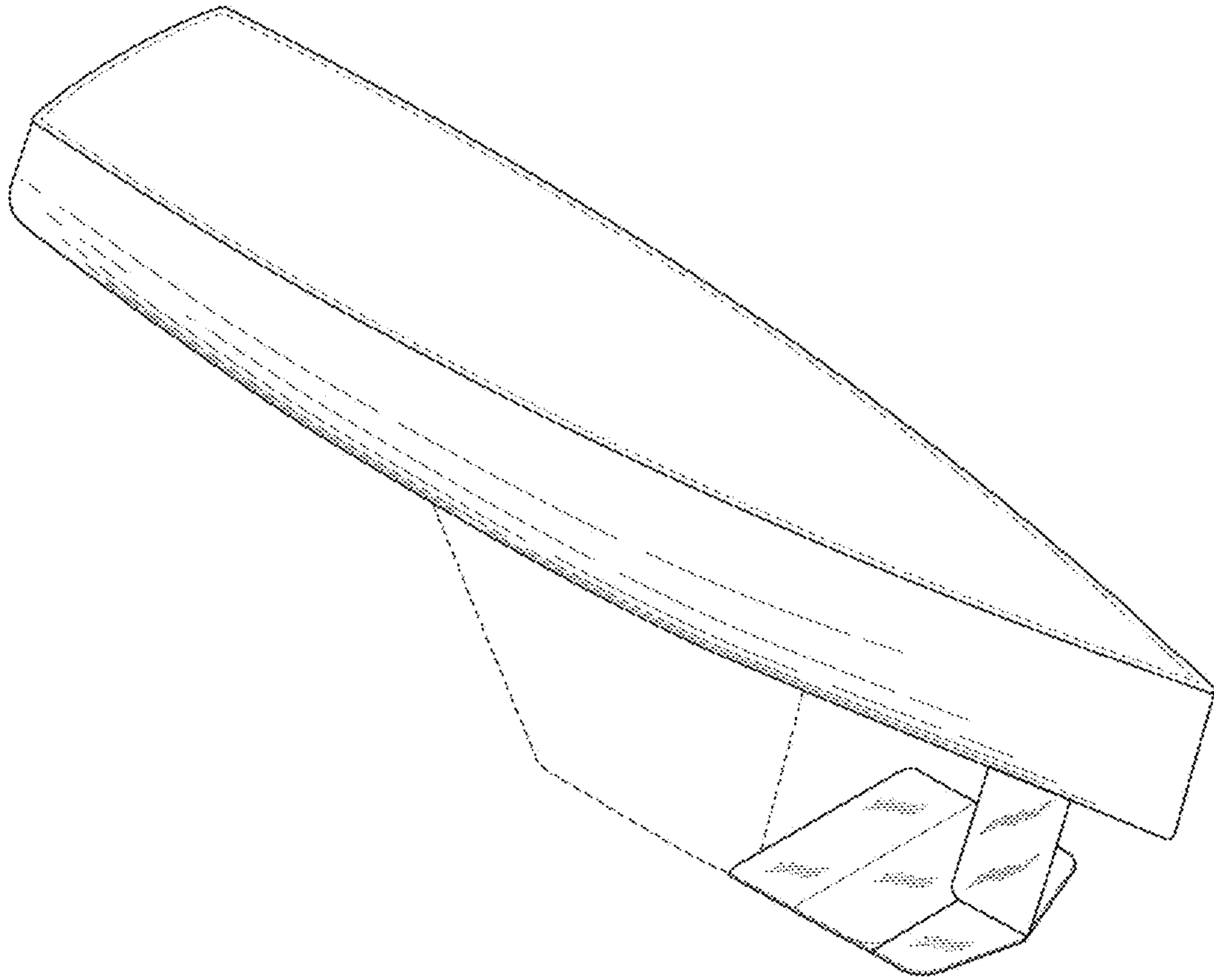


FIG. 1

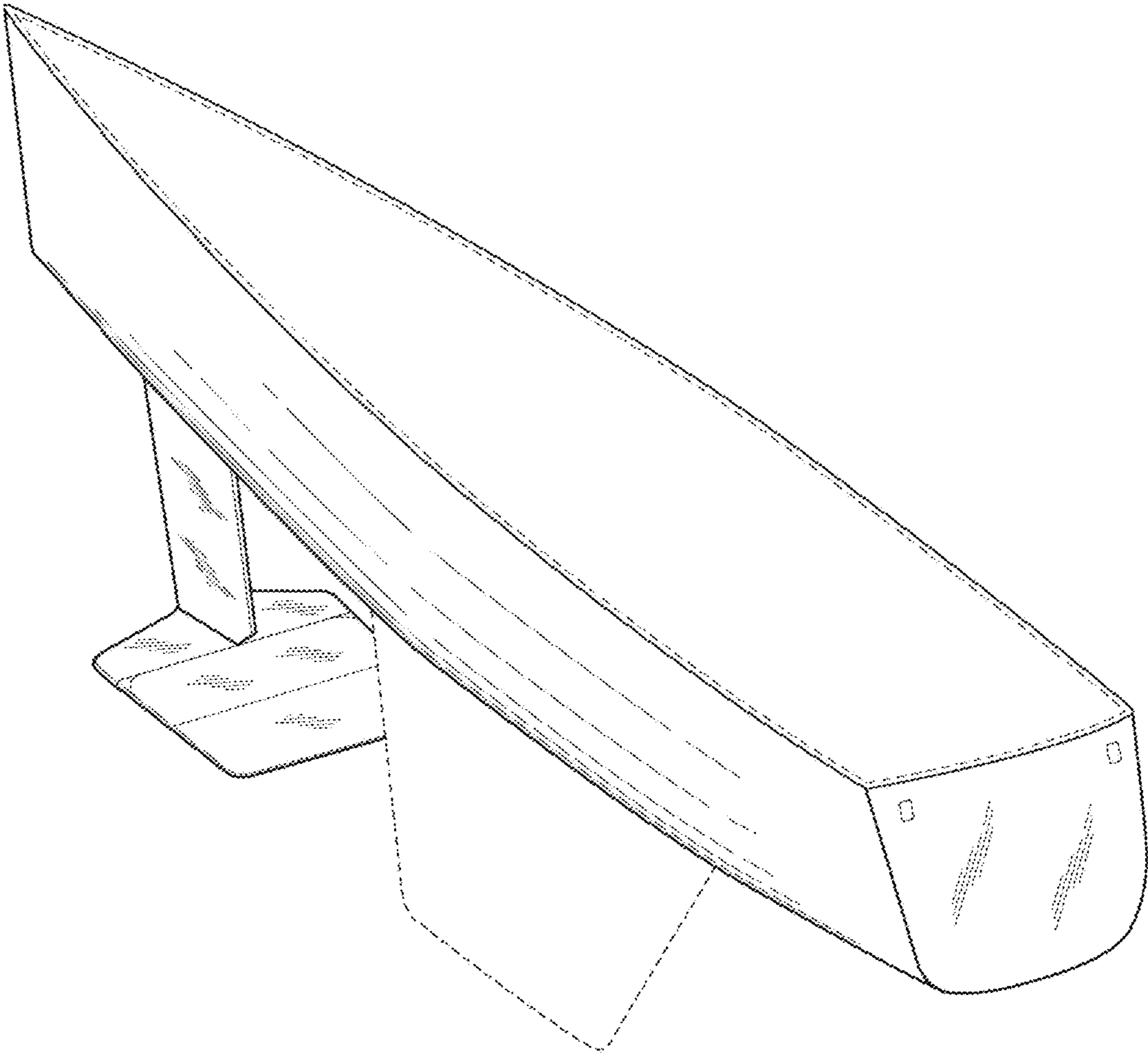


FIG. 2

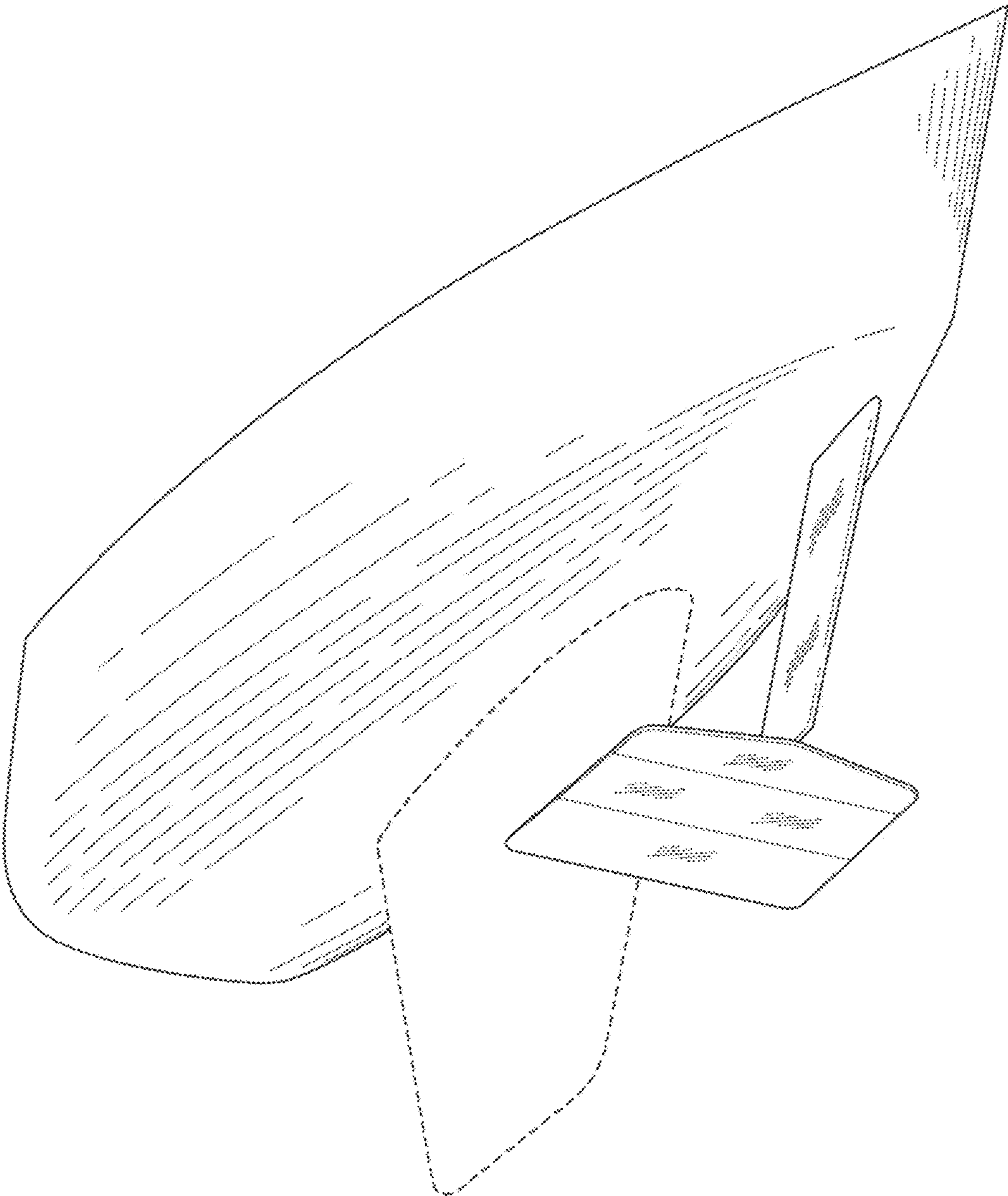


FIG. 3

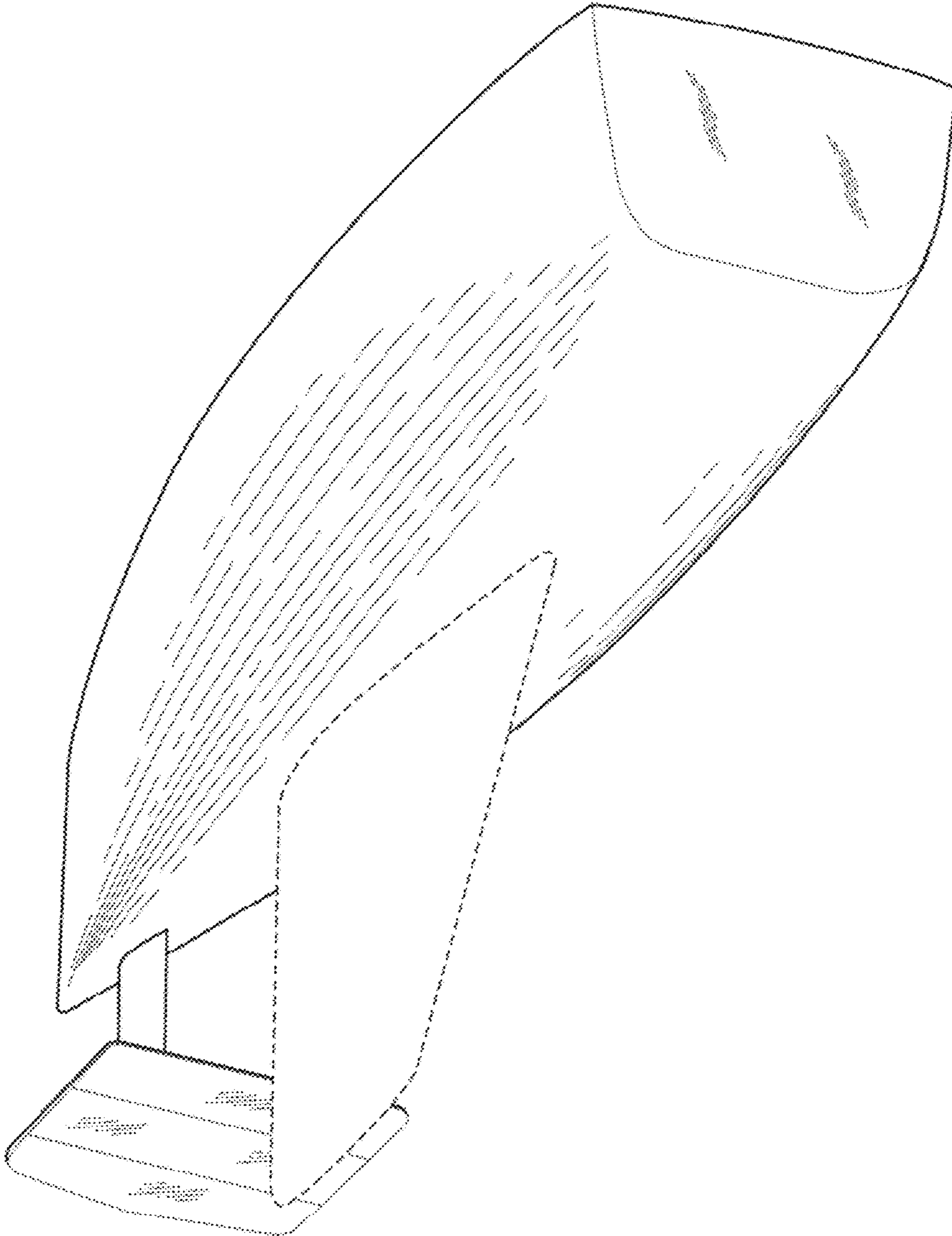


FIG. 4

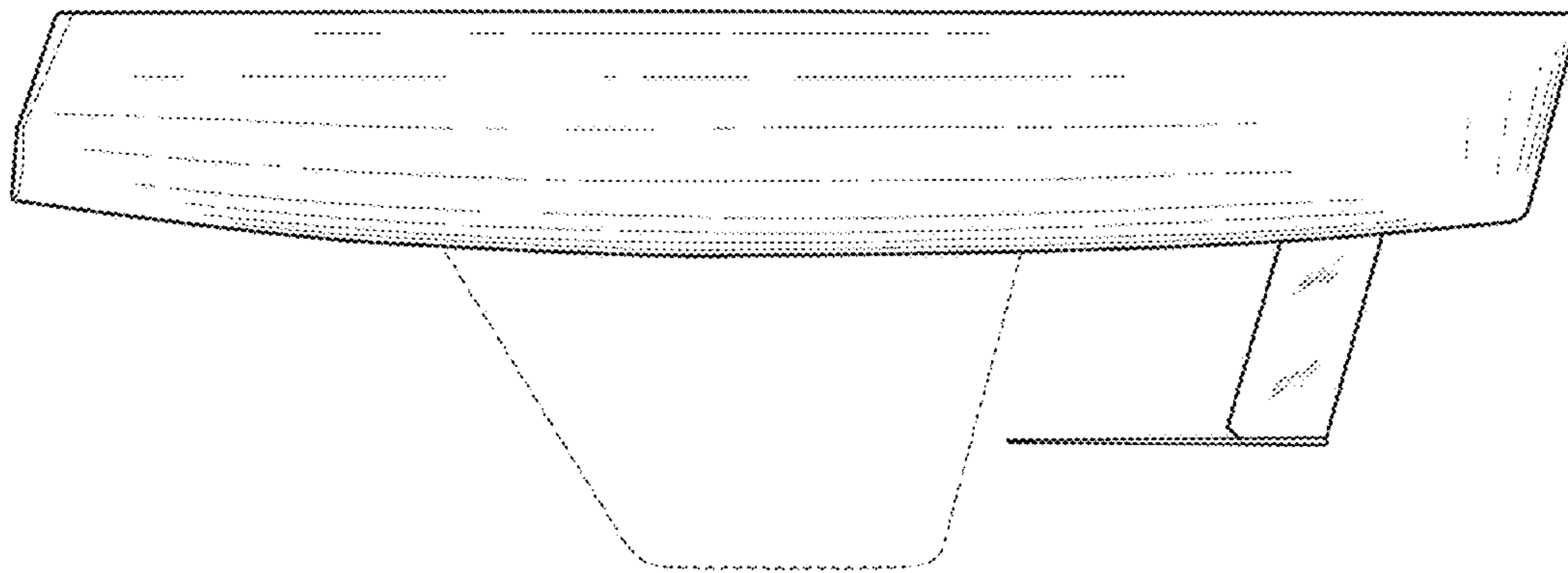


FIG. 5

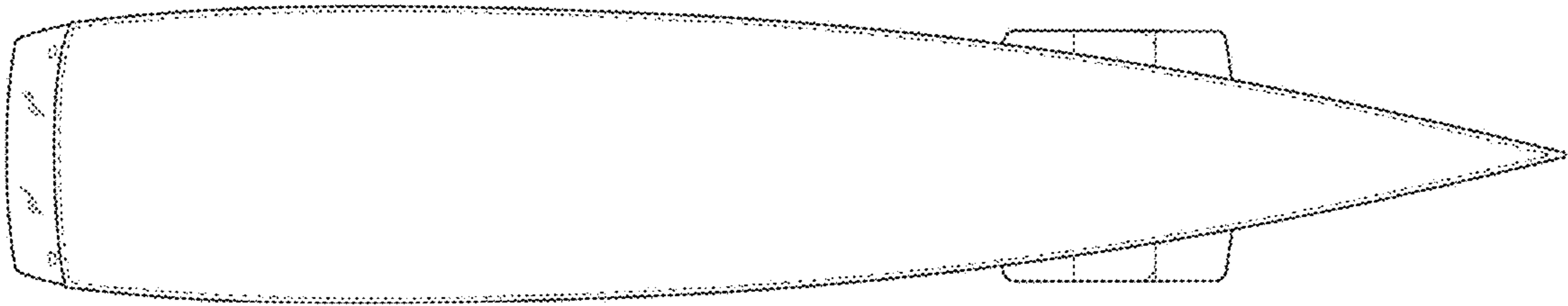


FIG. 6

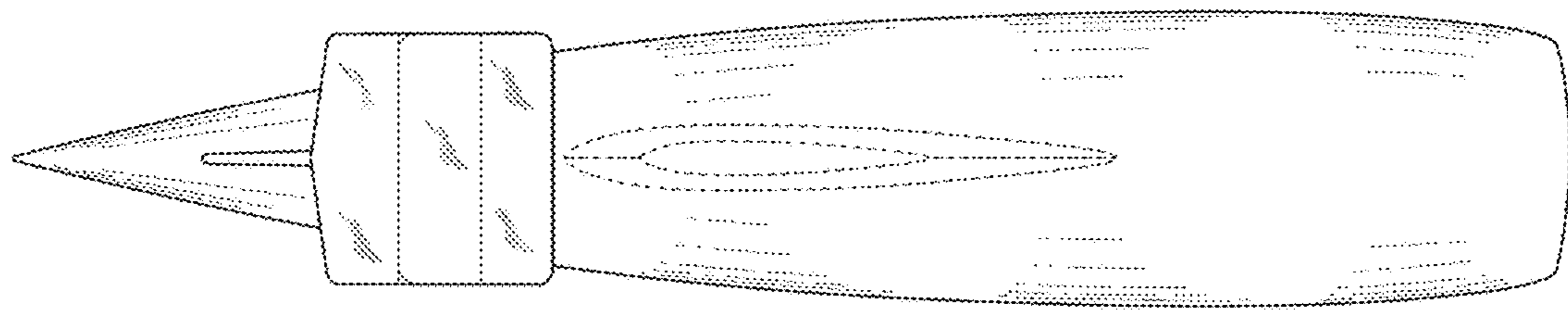


FIG. 7

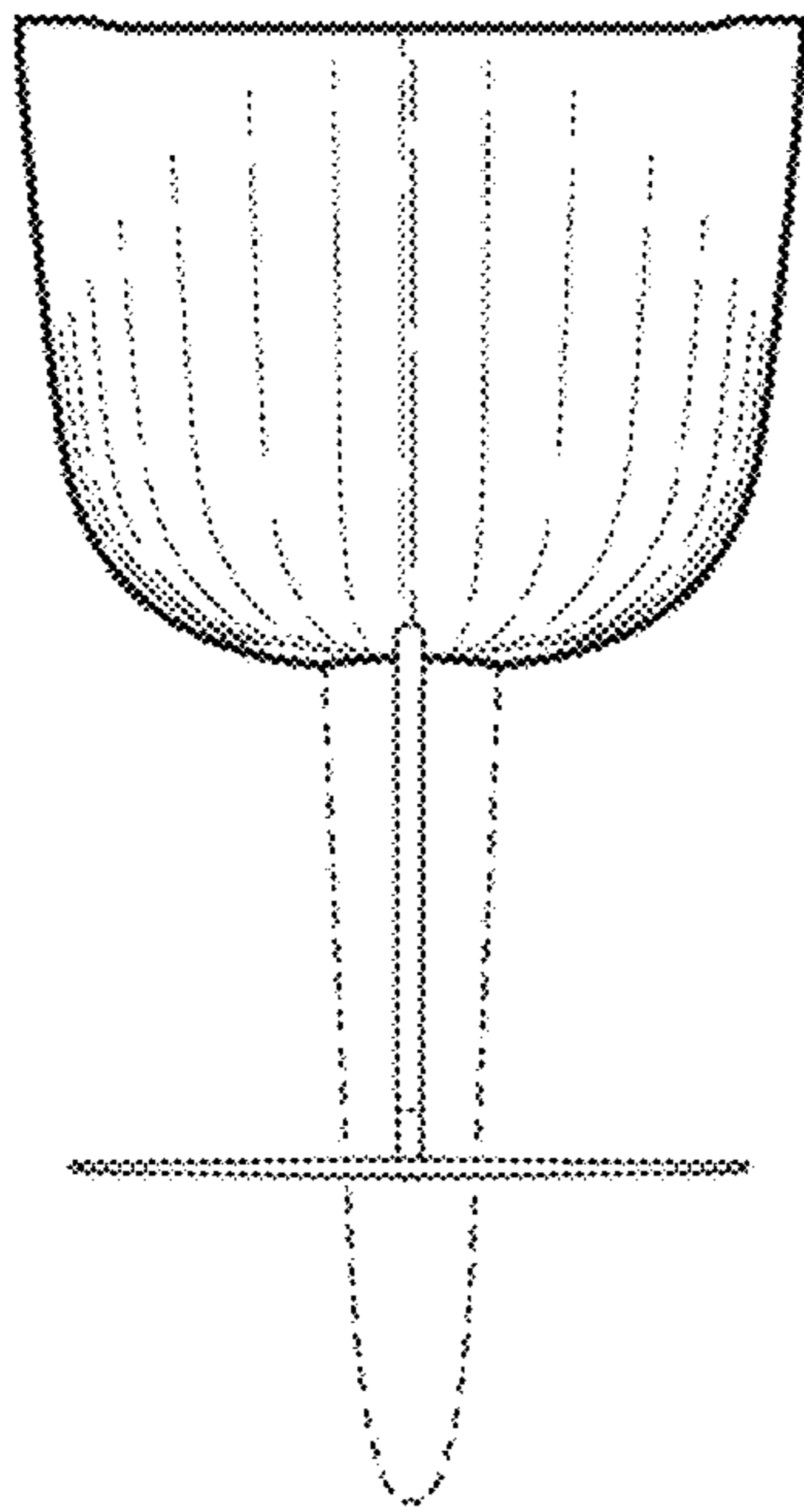


FIG. 8

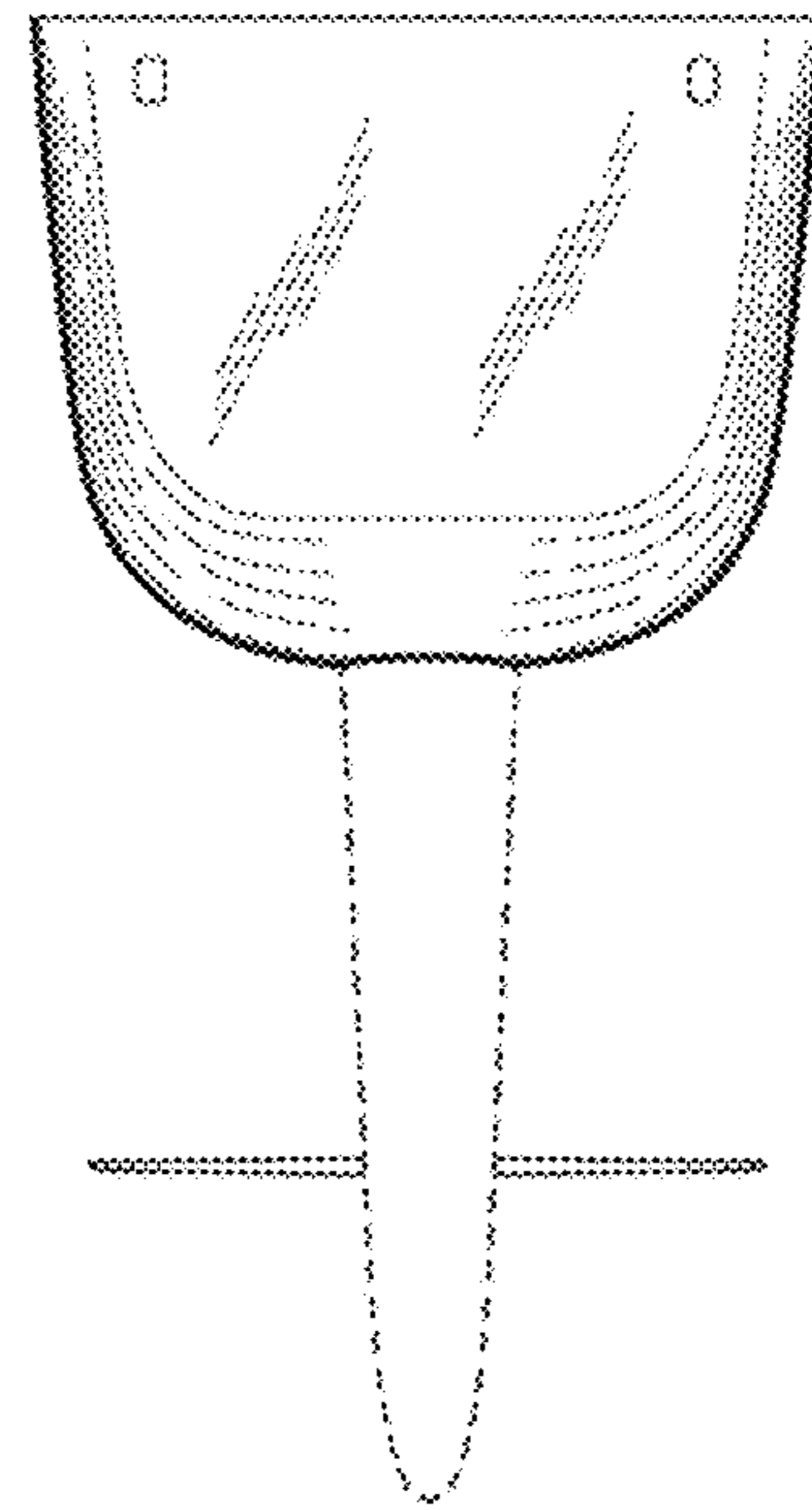


FIG. 9