



US00D857602S

(12) **United States Design Patent** (10) **Patent No.:** **US D857,602 S**
Sveum et al. (45) **Date of Patent:** **** Aug. 27, 2019**

(54) **WHEEL CHOCK** 4,917,219 A * 4/1990 Henry B60T 3/00
188/32
(71) Applicant: **Rite-Hite Holding Corporation,** D316,243 S * 4/1991 Henry D12/217
Milwaukee, WI (US) D326,254 S * 5/1992 Ziaylek, Jr. D12/217
D409,554 S * 5/1999 Henry D12/217
(72) Inventors: **Matthew Sveum,** Wauwatosa, WI (US); D503,139 S * 3/2005 Colak D12/217
Alan Mushynski, Brookfield, WI (US) D520,438 S * 5/2006 Colak D12/217
7,040,461 B2 * 5/2006 Chrisco B60T 3/00
188/32
(73) Assignee: **RITE-HITE HOLDING** D543,926 S * 6/2007 Kutzler D12/217
CORPORATION, Milwaukee, WI
(US)
(Continued)

(**) Term: **15 Years**

(21) Appl. No.: **29/629,036**

(22) Filed: **Dec. 11, 2017**

(51) **LOC (12) Cl.** **12-16**

(52) **U.S. Cl.**
USPC **D12/217**

(58) **Field of Classification Search**
USPC D12/217, 223, 400; D34/31
CPC B60T 3/00; B60T 1/12; B60T 1/14; B64F
1/12; B64F 1/16; B60P 3/06; B60P 3/077;
B60P 3/079
See application file for complete search history.

(56) **References Cited**

U.S. PATENT DOCUMENTS

D57,774 S * 5/1921 Francis D12/217
D210,304 S * 2/1968 Davis D12/217
D219,236 S * 11/1970 Hudak et al. D12/217
3,647,029 A * 3/1972 Hanley B60T 3/00
188/32
D235,332 S * 6/1975 Richilano D12/217
3,993,167 A * 11/1976 Reed B60T 3/00
188/32
4,144,951 A * 3/1979 Rea B60T 3/00
188/32
4,781,271 A * 11/1988 Wokeck B60T 3/00
188/32

OTHER PUBLICATIONS

PRC National Intellectual Property Administration, "Notice of Granting Patent Right for Design," issued in connection with Chinese Design Application No. 201830292408.X, dated Sep. 14, 2018, 3 pages.

(Continued)

Primary Examiner — Darlington Ly
(74) *Attorney, Agent, or Firm* — Hanley, Flight & Zimmerman, LLC

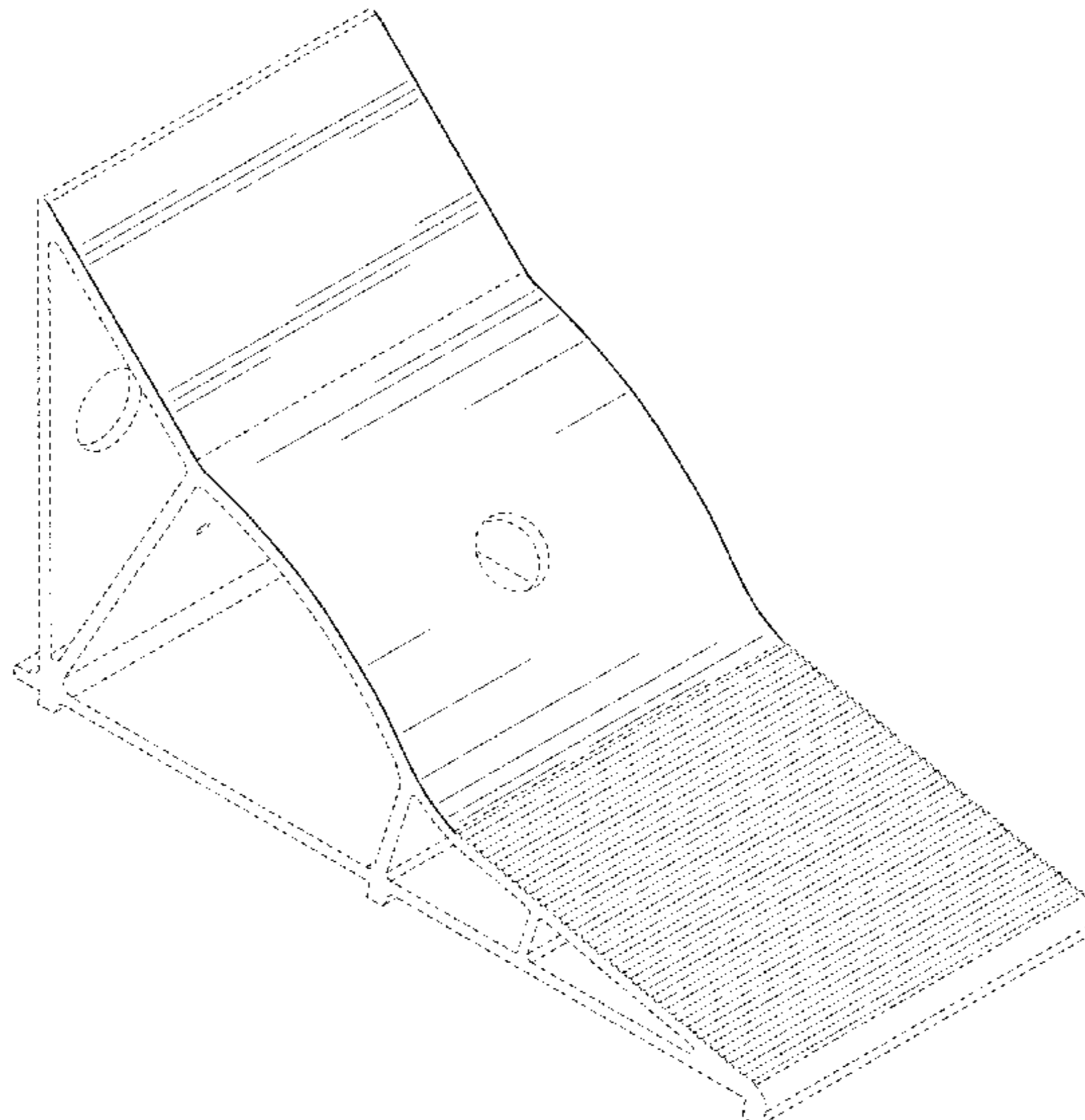
(57) **CLAIM**

The ornamental design for a wheel chock, as shown and described.

DESCRIPTION

FIG. 1 is a front and left side perspective view of a wheel chock showing our new design;
FIG. 2 is a left side elevation view thereof;
FIG. 3 is a right side elevation view thereof;
FIG. 4 is a front elevation view thereof;
FIG. 5 is a rear elevation view thereof;
FIG. 6 is a top plan view thereof;
FIG. 7 is a bottom plan view thereof; and,
FIG. 8 is a rear and right side perspective view thereof.
The broken lines in the drawings illustrate portions of the wheel chock that form no part of the claimed design.

1 Claim, 5 Drawing Sheets



(56)

References Cited

U.S. PATENT DOCUMENTS

D594,398 S * 6/2009 Tai D12/217
D644,159 S * 8/2011 Marcum D12/217
D646,614 S * 10/2011 Brockington D12/217
D656,881 S * 4/2012 Beranek D12/217
D662,026 S * 6/2012 Beranek D12/217
D673,106 S * 12/2012 Rossman D12/217
D690,644 S * 10/2013 Bowman D12/217
D720,278 S * 12/2014 Pinkall D12/217
D830,280 S * 10/2018 Erickson D12/217
10,179,572 B2 * 1/2019 Metz B60T 3/00

OTHER PUBLICATIONS

Intellectual Property Australia, "Certificate of Registration," issued in connection with Australian Design No. 201813456, dated Jul. 6, 2018, 8 pages.

Intellectual Property Australia, "Certificate of Registration," issued in connection with Australian Design No. 201813460, dated Jul. 9, 2018, 8 pages.

Intellectual Property Australia, "Certificate of Registration," issued in connection with Australian Design No. 201813461, dated Jul. 6, 2018, 8 pages.

Intellectual Property Australia, "Certificate of Registration," issued in connection with Australian Design No. 201813462, dated Jul. 6, 2018, 8 pages.

* cited by examiner

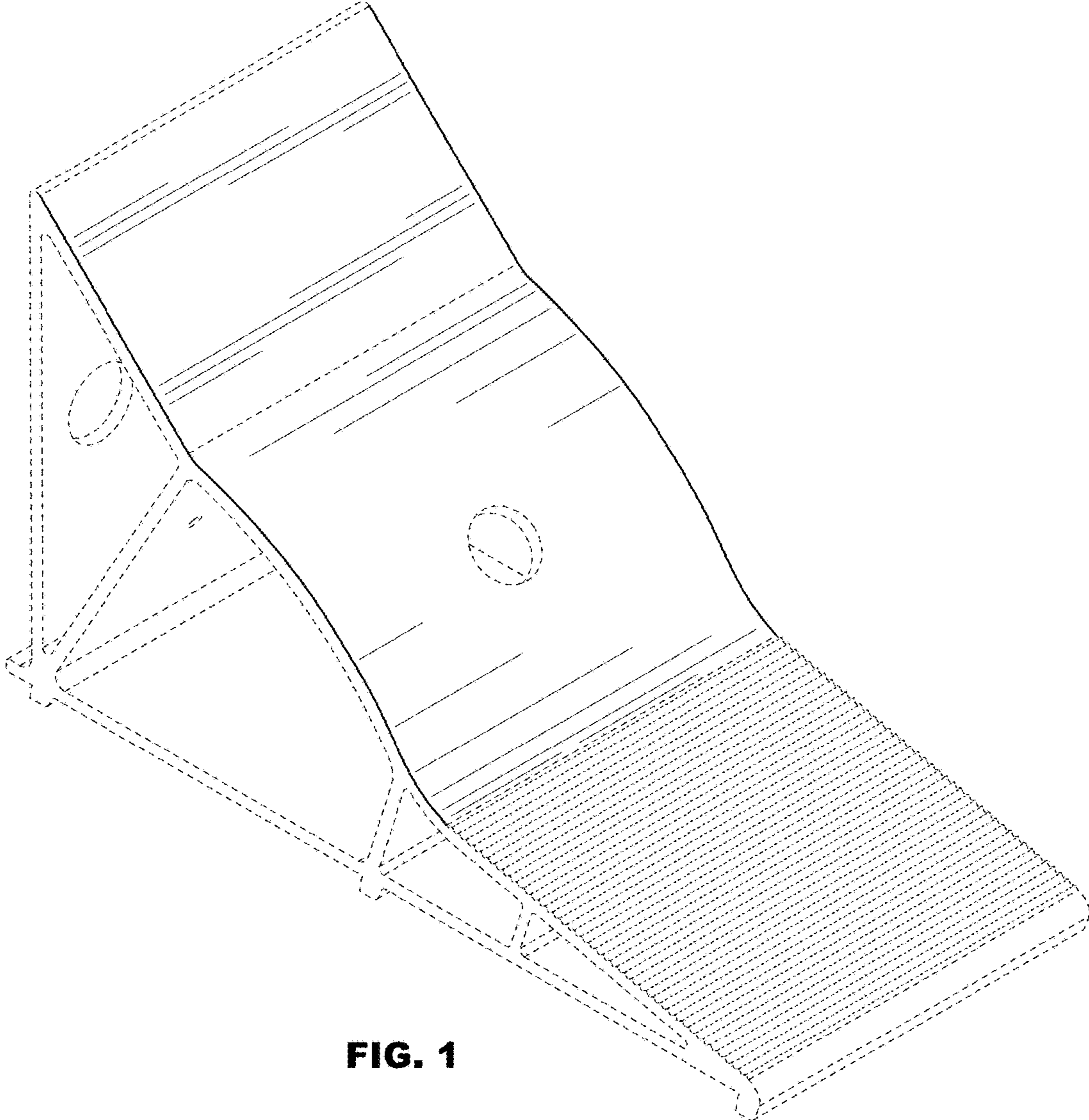


FIG. 1

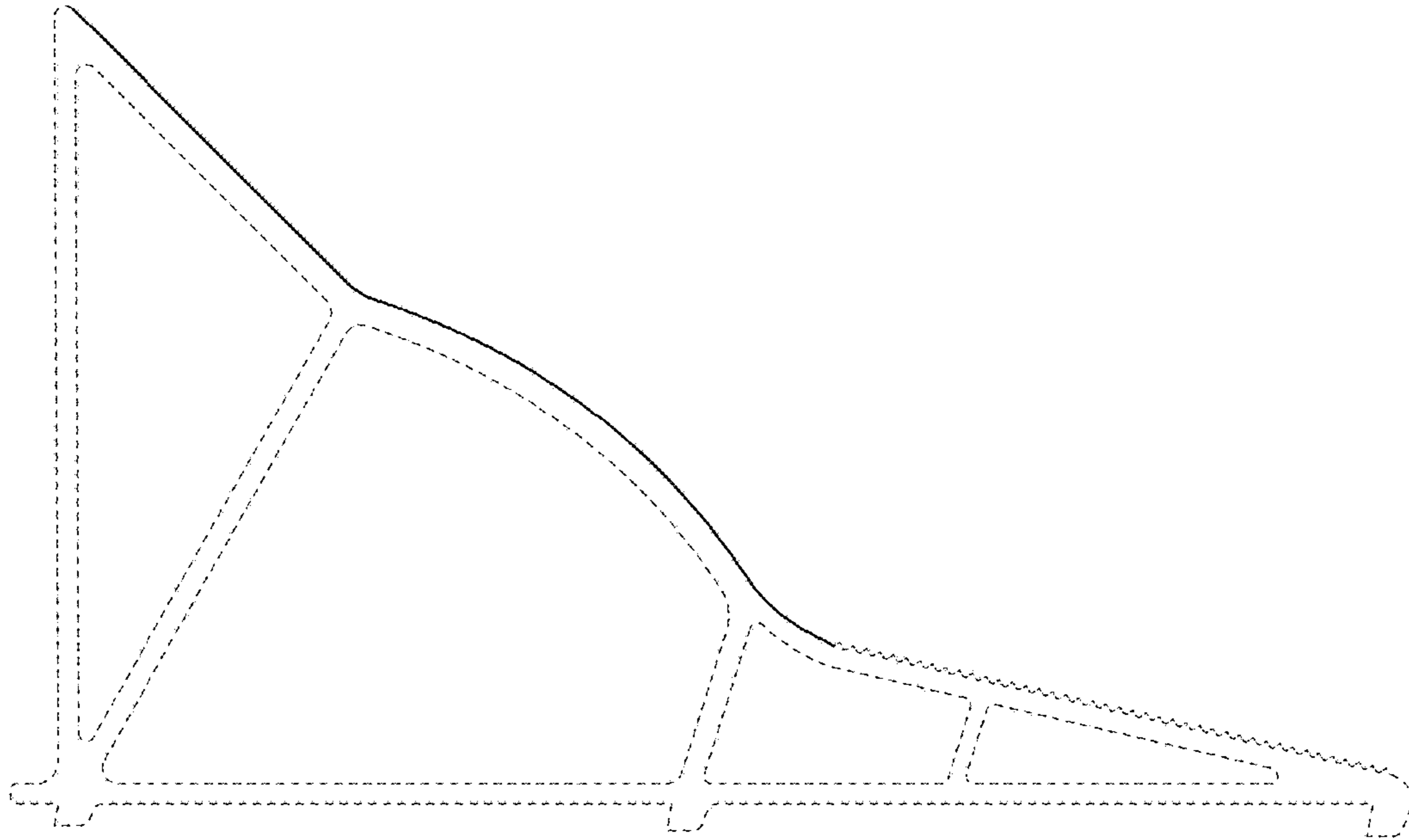


FIG. 2

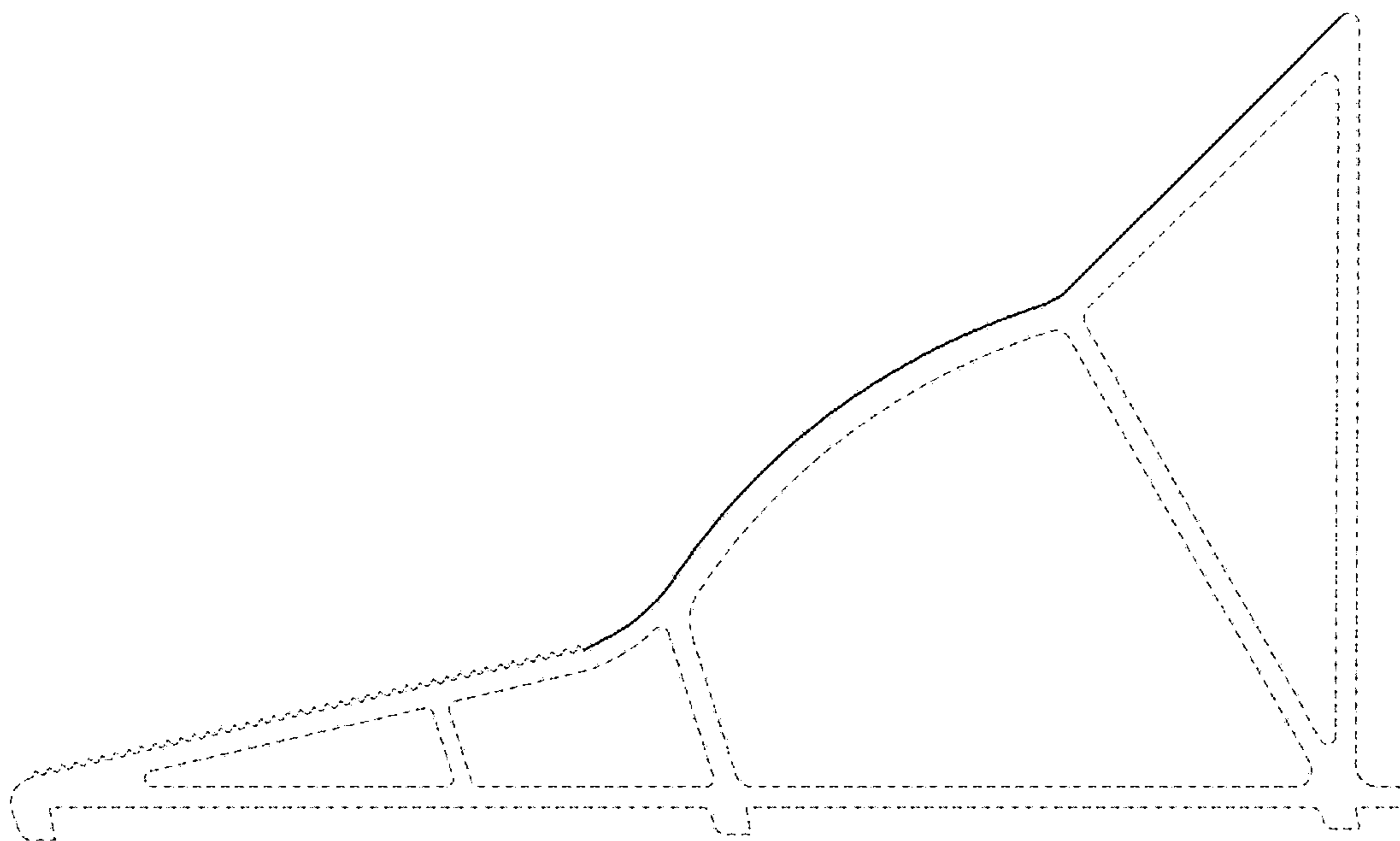


FIG. 3

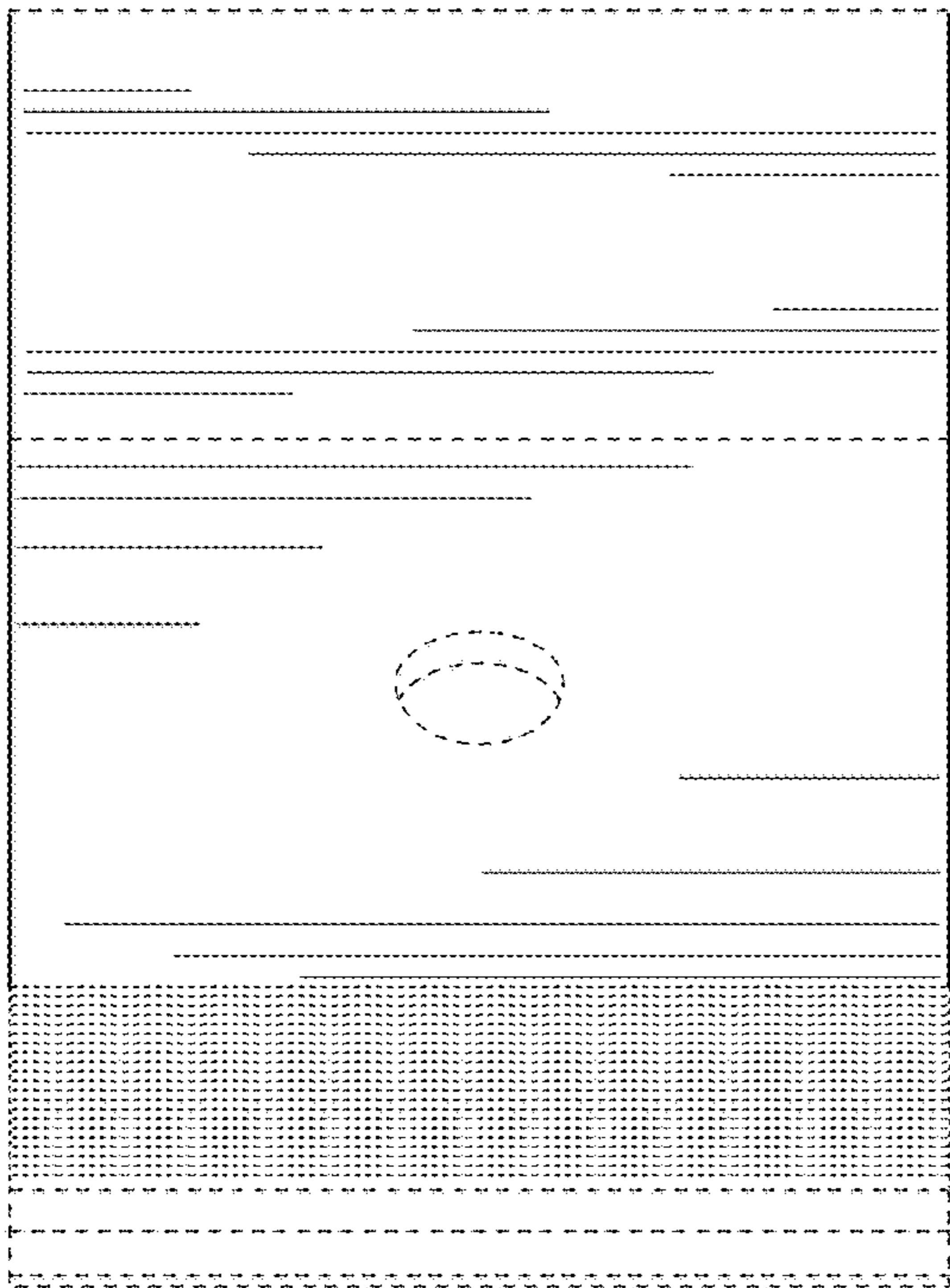


FIG. 4

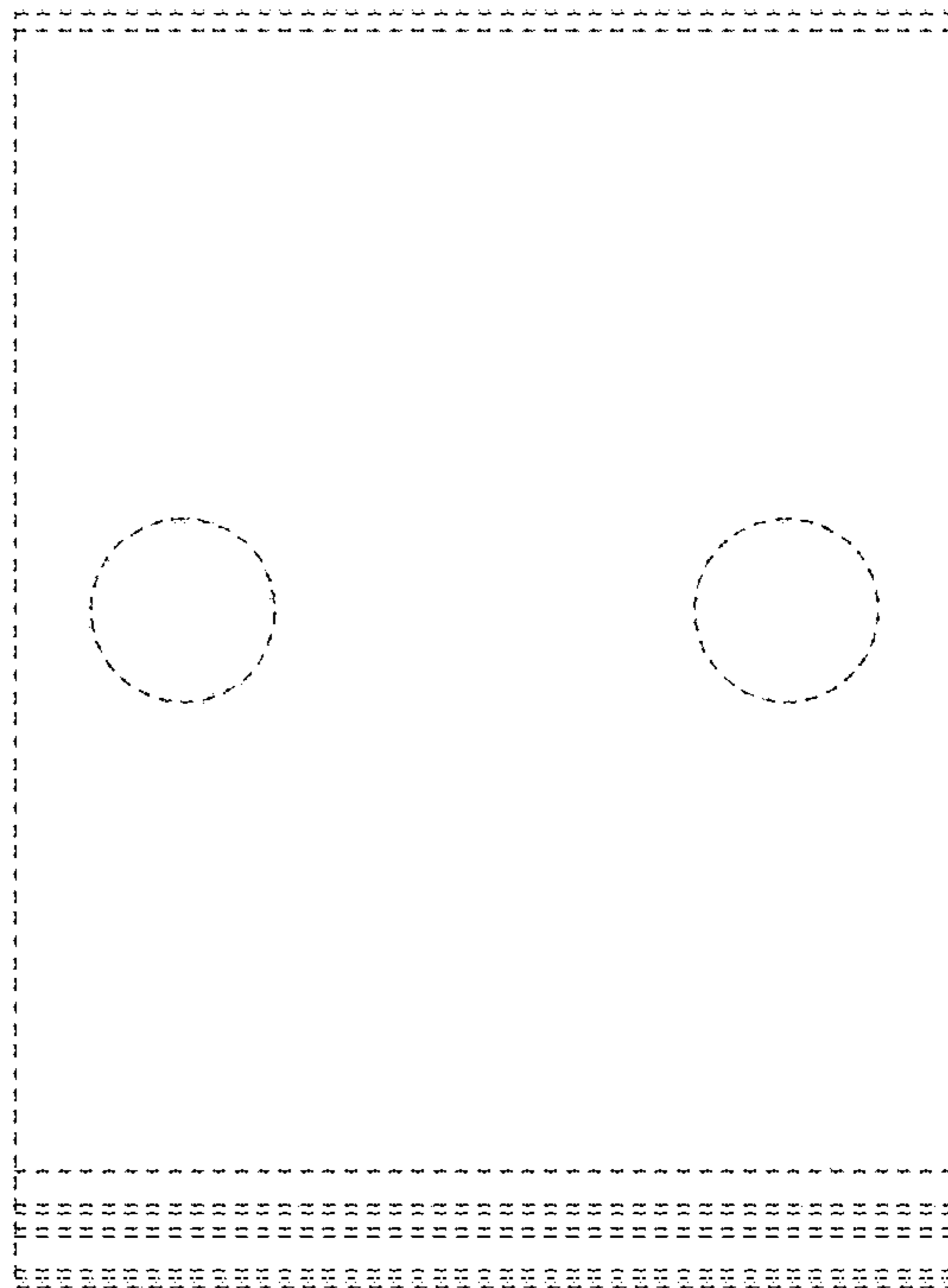


FIG. 5

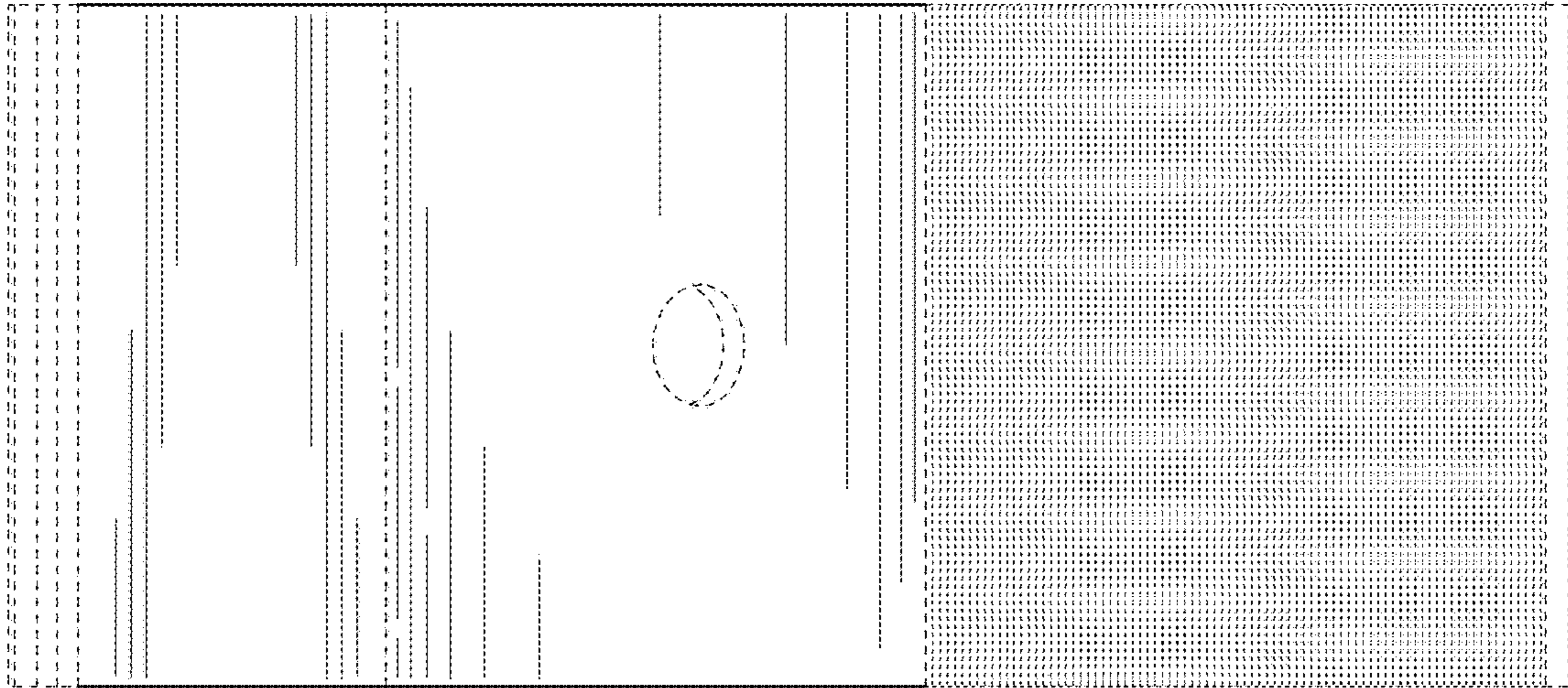


FIG. 6

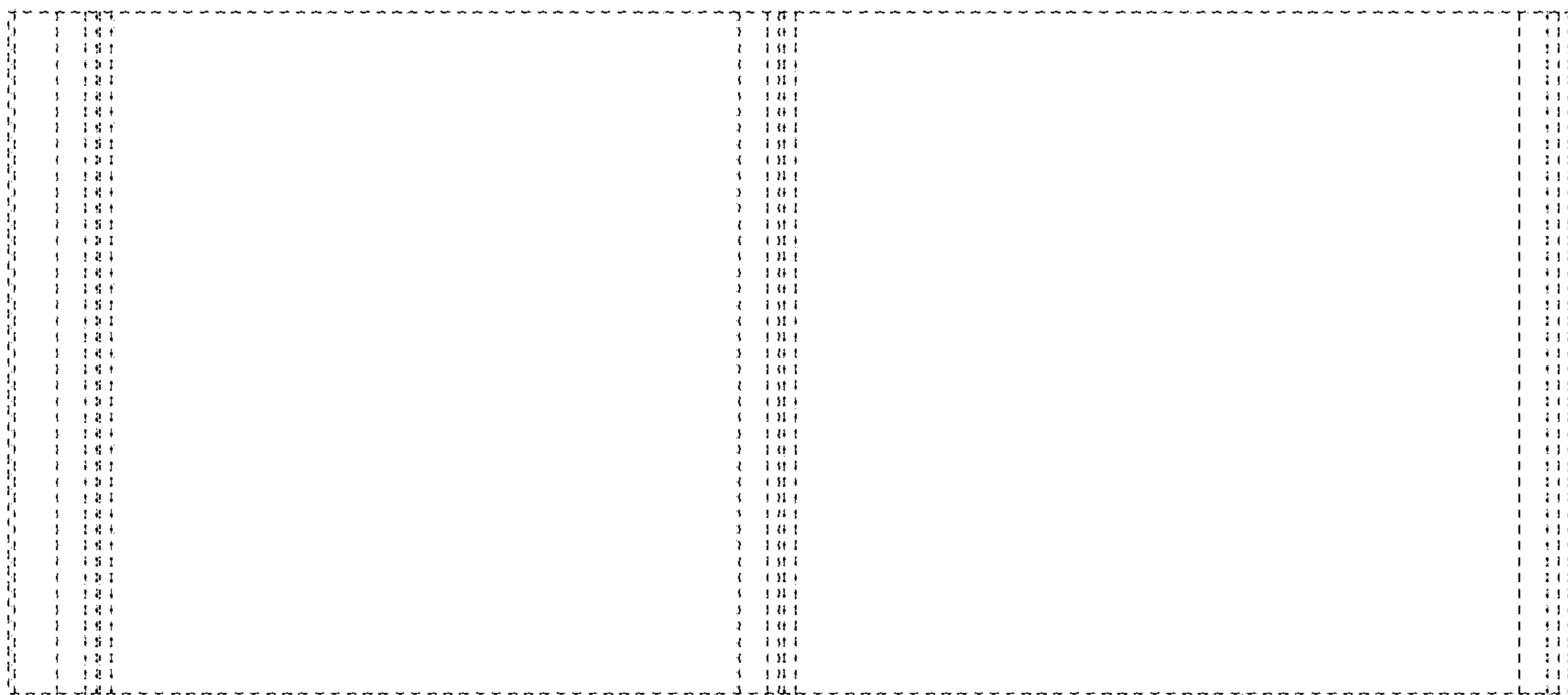


FIG. 7

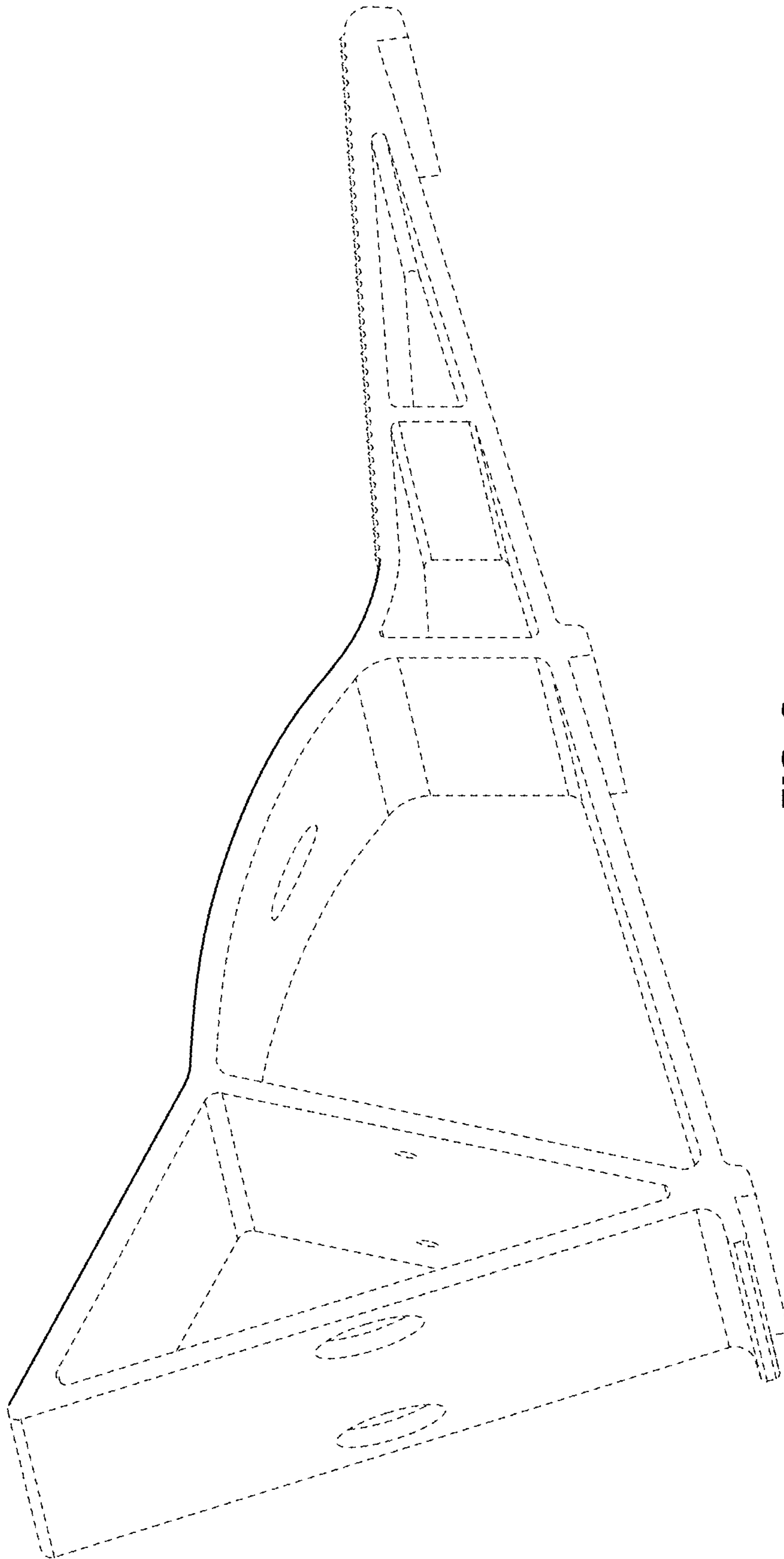


FIG. 8